

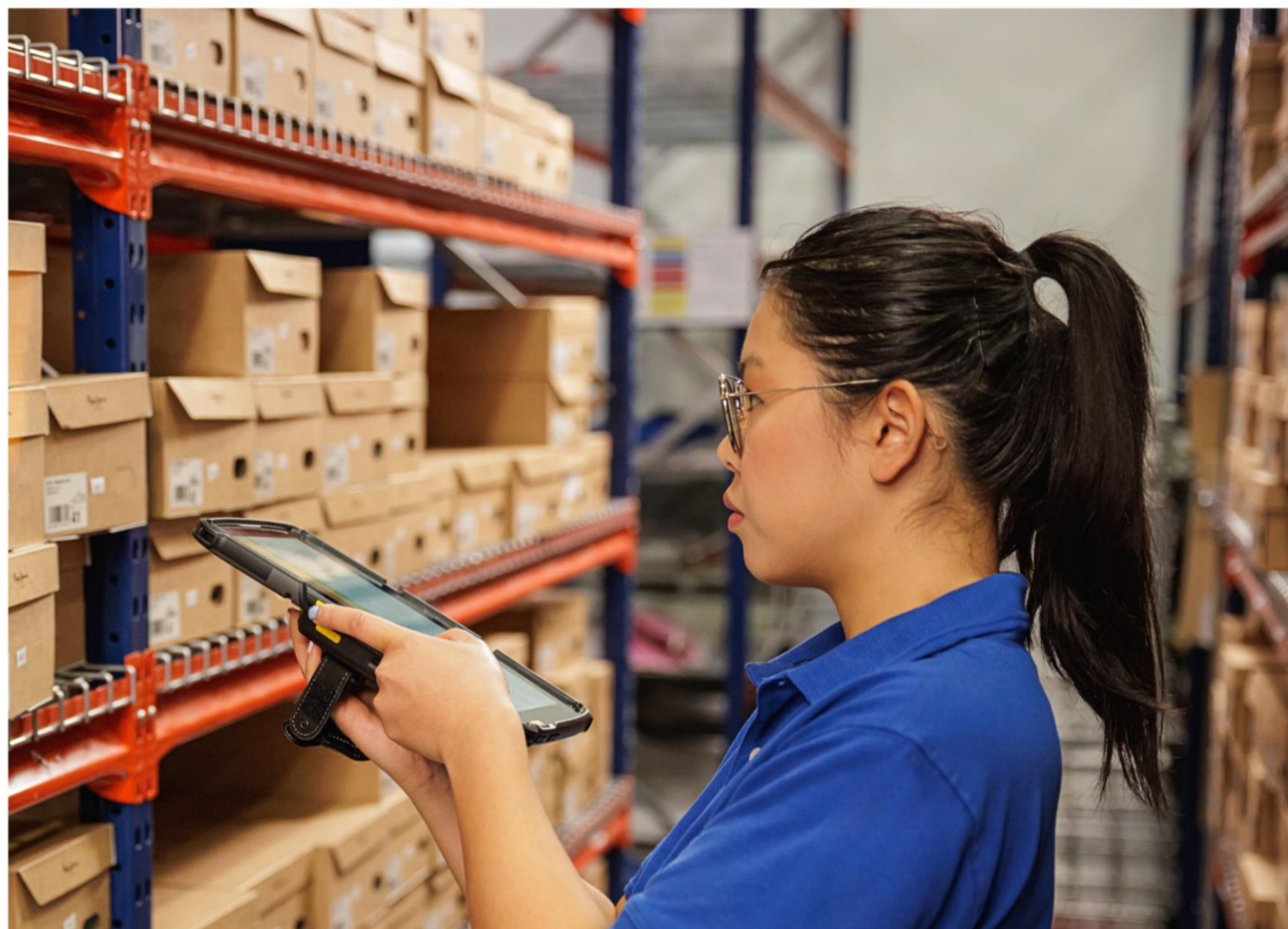
ET40 and ET45 Accessories Guide

The right-priced rugged tablets
that have it all

For the latest version of this guide and more,
please visit www.zebra.com/et4x

August 2022

v1.4



I. Accessories that POWER devices	
Wall Charger and Cradles	3
Wall charger, Single-slot and multi-slot cradles, cradle mounts, VESA adapter	
Expansion Backs and PowerPacks	8
Expansion Backs, PowerPacks, PowerPack chargers	
Power supply	10
Power supplies, cables, adapters	
II. Accessories that PROTECT devices	
Rugged Boots	11
III. Accessories that ENABLE productivity solutions	
Straps	12
Shoulder Straps, Hand Strap, and D-Clips	
Stands	13
Presentation Stand, Battery Door Adapter, Desktop Mounting, Key Tool	
Stylus and Tethers	15
Plastic Passive Stylus, Fiber Tip Passive Stylus, Tethers	
Headsets – Wired and Wireless	16
Workforce Connect Headsets, Rugged Headsets – wired and wireless, Adapters	
IV. Other Accessories / Spare / Replacement Parts	18
Spare internal batteries, battery covers, replacement hand straps, etc.	
V. Third Party Accessories	
Ram Mounts	21
GDS Tech	22
ENS	23
Gamber-Johnson	25

Wall Charger



USB Wall Power Supply

SKU# PWR-WUA5V12W0XX

USB type A Wall Power Supply adaptor 5V 2.5A

Replace 'XX' in SKU as follows to get the right plug style based on region:

[US](#) (United States) • [GB](#) (United Kingdom) • [EU](#) (European Union) •
[AU](#) (Australia) • [CN](#) (China) • [IN](#) (India) • [KR](#) (Korea) • [BR](#) (Brazil)

- Charges a single ET40/ET45 tablet
- 8" tablet charges from 0–80% in less than 2.5 hours
- 10" tablet charges from 0–80% in less than 3 hours
- Requires a USB cable sold separately

Sold separately:

- USB C to USB A communications and charging cable [SKU# CBL-TC5X-USBC2A-01](#)

Single Slot Cradle



Single-slot Charge-only Cradle

SKU# [CRD-ET4X-1SCG1-01](#)

Single-slot charge-only cradle. Charges a single ET40/ET45 tablet.

- Accommodates tablet with or without rugged boot, expansion back, or payment back.
- 8" tablet charges from 0–80% in less than 2 hours.
- 10" tablet charges from 0–80% in less than 2.5 hours.

Sold separately:

- Power supply [SKU# PWR-BGA12V50W0WW](#) and DC cable [SKU# CBL-DC-388A1-01](#).
- Country-specific AC line cord (options listed in this document) compatible with the power supply SKU.

Multi Slot Cradles



Four-slot Charge-only Cradle for 8" Tablets

SKU# CRD-ET4X-4S8I1-01

Four-slot charge-only ShareCradle with T-adapters for 8" tablets. Charges up to four 8" ET40/ET45 tablets.

- Accommodates tablet with or without rugged boot, expansion back, or payment back.
- T-adapter in each device slot can be flipped/rotated to fit a tablet only configuration or tablet with rugged boot configuration.
- Includes space to install optional four-slot PowerPack battery charger.
- 8" tablet charges from 0–80% in less than 2 hours.

Sold separately:

- Power supply SKU# PWR-BGA12V108W0WW and DC cable SKU# CBL-DC-382A1-01.
- Country-specific AC line cord (options listed in this document) compatible with the power supply SKU.
- Optional 4-slot PowerPack battery charger SKU# SAC-ET5X-4PPK1-01 and related power cables.



Four-slot Charge-only Cradle for 10" Tablets

SKU# CRD-ET4X-4S10I1-01

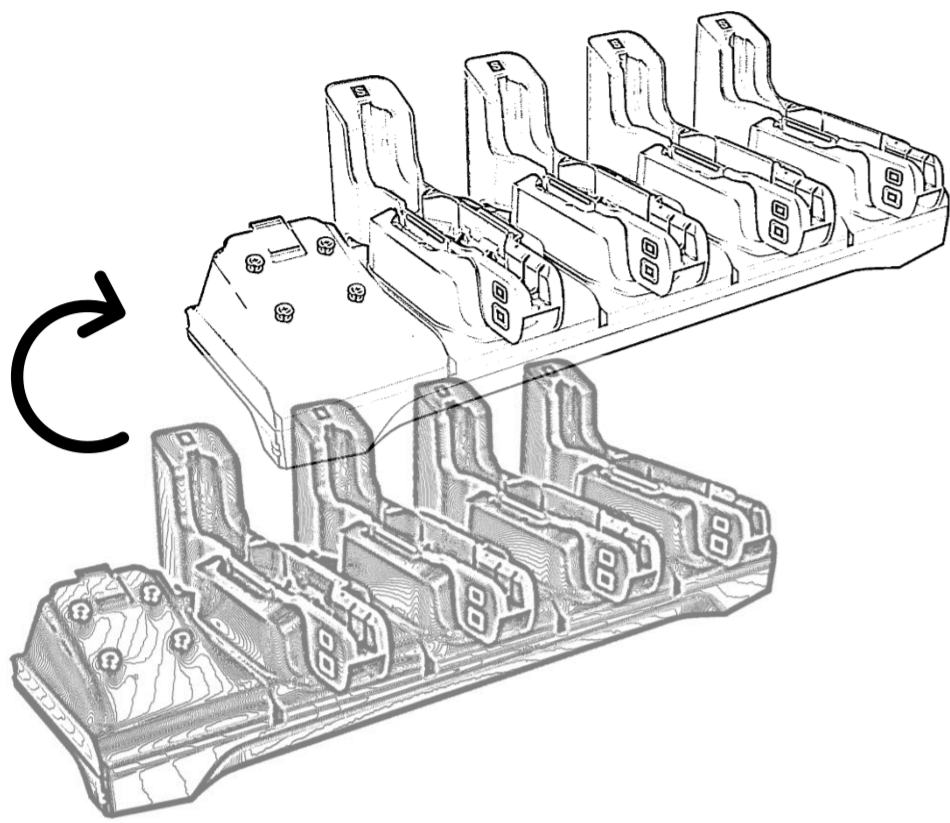
Four-slot charge-only ShareCradle with T-adapters for 10" tablets. Charges up to four 10" ET40/ET45 tablets.

- Accommodates tablet with or without rugged boot, expansion back, or payment back.
- T-adapter in each device slot can be flipped/rotated to fit a tablet only configuration or tablet with rugged boot configuration.
- Includes space to install optional four-slot PowerPack battery charger.
- 10" tablet charges from 0–80% in less than 2.5 hours.

Sold separately:

- Power supply SKU# PWR-BGA12V108W0WW and DC cable SKU# CBL-DC-382A1-01.
- Country-specific AC line cord (options listed in this document) compatible with the power supply SKU.
- Optional 4-slot PowerPack battery charger SKU# SAC-ET5X-4PPK1-01 and related power cables.

Multi Slot Cradles



Device cradle cup replacement kit

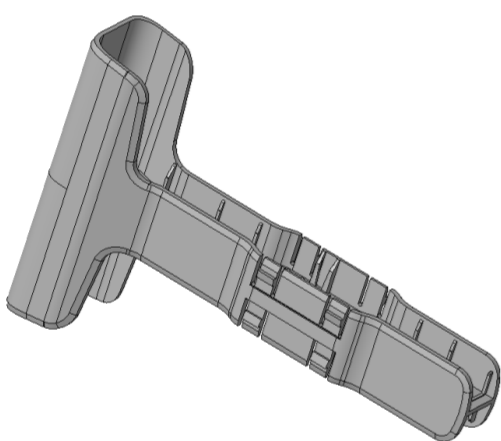
SKU# CRDCUP-4S-ET5TOET4

Replacement kit for conversion of ET5X multi-slot cradle to ET4X multi-slot cradle.

- Supports conversion from ET5X multi-slot cradle [SKU# CRD-ET5X-SE4CO3-01](#)
- Also supports conversion from select ET5X multi-slot cradle [SKU# CRD-ET5X-SE4CO2-01](#) with base identifier AS-000254-11 or greater
- Does not include the T-adapters needed to hold ET4X tablets.

Sold separately:

- Required T-adapters for tablets to place in cups [SKU# ADP-ET4X-8T4S1-04](#) or [SKU# ADP-ET4X-10T4S1-04](#) for 8" or 10" respectively.

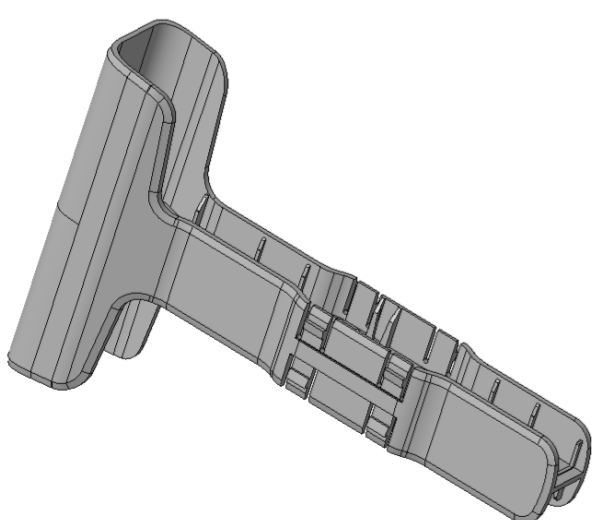


T-adapters for 8" tablets used in multi slot cradles

SKU# ADP-ET4X-8T4S1-04

Optional T-adapter for 8" ET40 and ET45 for use in ET4X Four Slot Cradle (Pack of 4).

- Used as a spare/replacement of T-adapters, or for use with cradle cup replacement kit, or to mix-and-match 8" and 10" tablets in the same cradle
- Accommodates tablet with or without rugged boot, expansion back, or payment back. T-adapter in each device slot can be flipped/rotated to fit a tablet only configuration or tablet with rugged boot configuration.



T-adapters for 10" tablets used in multi slot cradles

SKU# ADP-ET4X-10T4S1-04

Optional T-adapter for 10" ET40 and ET45 for use in ET4X Four Slot Cradle (Pack of 4).

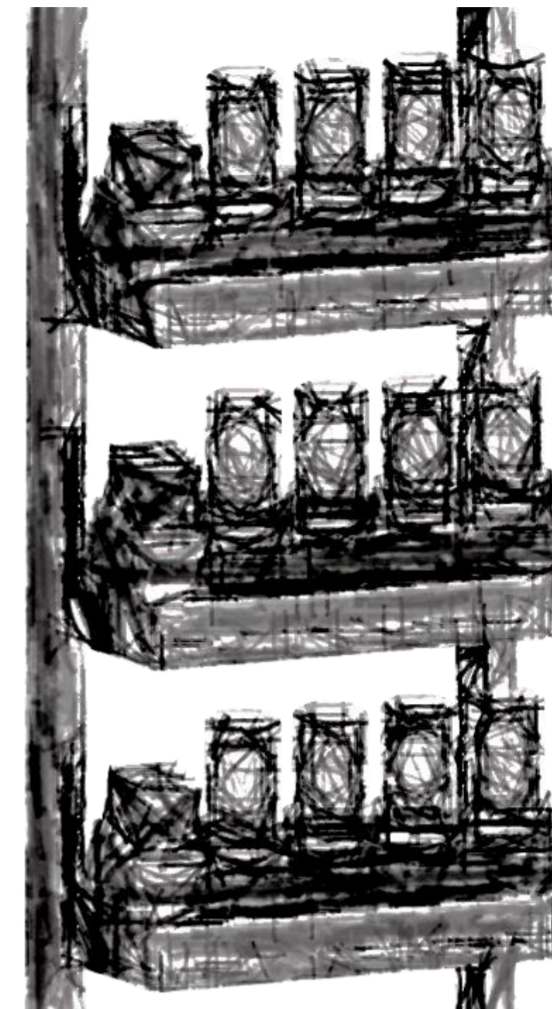
- Used as a spare/replacement of T-adapters, or for use with cradle cup replacement kit, or to mix-and-match 8" and 10" tablets in the same cradle
- Accommodates tablet with or without rugged boot, expansion back, or payment back. T-adapter in each device slot can be flipped/rotated to fit a tablet only configuration or tablet with rugged boot configuration.

Mounting options for chargers

Rack mounting for space optimization

Optimize available space by mounting any set of four-slot chargers for ET4X on a standard, 19-inch server rack.

- Ideal for customers that have several devices per location.
- Compatible with all multi-slot chargers for ET4X.



Mounting bracket

SKU# BRKT-SCRD-SMRK-01

Use multi-slot ShareCradle mounting bracket to attach four-slot ET4X cradles to the wall or mount on a 19-inch server rack.

- Offers cable routing slots and removable tray that stores / conceals power supply.
- Adjustable orientations include Horizontal or 25° angle for high density easy access

Other mounting options with power

VESA mounting for versatility

Create an ability to mount ET40 and ET45 tablet to any VESA mount.

- Ideal for customers that are retrofitting or have a fixed kiosk need.



VESA Adapter for 10" Tablet

SKU# ZBK-ET4X-10VESA-01

Expansion Back for 10" ET40 and ET45 tablet with VESA Pattern and DC power input

- Replaces existing battery cover and screws down to back of tablet.
- Powers the tablet using the pogo connectors on the back of the tablet.

Sold separately:

- Power supply SKU# PWR-BGA12V50W0WW and DC cable SKU# CBL-DC-388A2-01.
- Country-specific AC line cord (options listed in this document) compatible with the power supply SKU.

Expansion Backs and PowerPacks



Expansion Backs for 8" and 10" Tablets

8" SKU# ZBK-ET4X-8BTRYBK1-01

10" SKU# ZBK-ET4X-10BTRYBK1-01

Expansion Back for 8" tablets and 10" tablets for use with PowerPack batteries. Includes rotating hand strap and scanner trigger buttons.

- Replaces existing battery cover and screws down to back of tablet.
- May be used for ergonomics only, if necessary, for rotating handstrap and scan buttons.
- Use of PowerPack battery is optional. Battery compartment needs to be covered with a plastic cap/plug in lieu of PowerPack battery.
- PowerPack in Expansion Back on a tablet is charged only when tablet is placed in a cradle.

Sold separately:

- PowerPack battery SKU# BTRYET5X-PRPK2-01
- Optional 4-slot PowerPack battery charger SKU# SAC-ET5X-4PPK1-01 and related power cables.



PowerPack Battery for Expansion Backs

SKU# BTRY-ET5X-PRPK2-01

India SKU# BTRY-ET5X-PRPK2-IA

Optional PowerPack battery for use in ET4X and ET5X expansion backs for 8" and 10" tablets. Rechargeable Li-Ion 7.6V 3400mAh 25.84Wh.

- Battery charges internal battery of ET4X tablet.
- Has 5 LED indicators for PowerPack charge status.
- Hot swappable in the expansion back, enables continuous use across multiple shifts.

Sold separately:

- Optional 4-slot PowerPack battery charger SKU# SAC-ET5X-4PPK1-01 and related power cables.

Expansion Backs and PowerPacks



Four Slot PowerPack Battery Charger

SKU# SAC-ET5X-4PPK1-01

Toaster-style battery charger. Charges up to four PowerPack batteries.

- Replaces existing battery cover and screws down to back of tablet.
- May be used for ergonomics only, if necessary, for rotating handstrap and scan buttons.
- Use of PowerPack battery is optional. Battery compartment needs to be covered with a plastic cap/plug in lieu of PowerPack battery.
- PowerPack in Expansion Back on a tablet is charged only when tablet is placed in a cradle.

Sold separately:

- Power supply SKU# PWR-BGA12V50W0WW and DC cable SKU# CBL-DC-388A1-01.
- Country-specific AC line cord (options listed in this document) compatible with the power supply SKU.
- PowerPack battery SKU# BTRYET5X-PRPK2-01

Accessories that power devices



Power supply, cables, and adaptors

Power supply and cable matrix

SKU#	Description	Note
PWR-BGA12V108W0WW	Level VI AC/DC power supply brick. AC Input: 100–240V, 2.8A. DC Output: 12V, 9A, 108W.	Use with: • CRD-ET4X-4S8I1-01 • CRD-ET4X-4S10I1-01
CBL-DC-382A1-01	DC line cord for running multi-slot cradles from a single Level VI power supply.	
PWR-BGA12V50W0WW	Level VI AC/DC power supply brick. AC Input: 100-240V, 2.4A. DC Output: 12V, 4.16A, 50W.	Use with: • CRD-ET4X-1SCG1-01 • SAC-ET5X-4PPK1-01 • ZBK-ET4X-10VESA-01 • STND-ET4X-10POS1-01
CBL-DC-388A1-01	DC line cord for running single-slot cradles or battery chargers from a single Level VI power supply.	Use with: • CRD-ET4X-1SCG1-01 • SAC-ET5X-4PPK1-01
CBL-DC-388A2-01	DC line cord for running VESA mounts and Presentation Stand from a single Level VI power supply.	Use with: • ZBK-ET4X-10VESA-01 • STND-ET4X-10POS1-01
CBL-TC5X-USBC2A-01	USB C to USB A communications and charging cable, 1m long	Use with: • PWR-WUA5V12W0XX
PWR-WUA5V12W0XX	USB type A power supply adaptor (wall wart). Replace 'XX' in SKU as follows to get the right plug style based on region: US (United States) • GB (United Kingdom) • EU (European Union) AU (Australia) • CN (China) • IN (India) • KR (Korea) • BR (Brazil)	Use with a communications & charge cable to directly charge ET40 / ET45 device drawing power from a wall socket.

Country-specific AC line cords: grounded, 3-prong



SKU#	Country / region	Note
23844-00-00R	North America (United States, Canada, Mexico)	7.5 feet long
50-16000-678R	North America (United States, Canada, Mexico)	3 feet long
50-16000-221R	North America (United States, Canada, Mexico)	6 feet long
50-16000-727R	Brazil	1.8 meters (6 feet) long
50-16000-680R	Argentina	1.8 meters (6 feet) long
50-16000-217R	American Samoa, Australia, New Guinea	1.8 meters (6 feet) long
50-16000-218R	Japan	1.8 meters (6 feet) long
50-16000-219R	Antigua, Bermuda, Burma, Channel Islands, Hong Kong, Iraq, Ireland, Malaysia, North Ireland, Scotland, Singapore, United Kingdom, Wales	1.8 meters (6 feet) long
50-16000-257R	China	1.8 meters (6 feet) long
50-16000-220R	Europe, Abu Dhabi, Bolivia, Dubai, Egypt, Iran, Korea, Russia, Vietnam	1.8 meters (6 feet) long
50-16000-671R	Italy	1.8 meters (6 feet) long
50-16000-669R	India, S. Africa, Africa	1.8 meters (6 feet) long

Rugged boots



Rugged boot for 8" tablets

SKU# [SG-ET4X-8EXOSKL1-01](#)

Rugged Boot / Exoskeleton for 8" ET40 and ET45 tablet

- Snap-on style; no tools needed
- Increases drop protection to 5.1ft / 1.55m
- Has hook points for D-clips and straps
- Leaves the battery door/cover area open to accommodate expansion backs that go to the back of the tablet
- Compatible with the single-slot and multi-slot cradles

Sold separately:

- D-clips [SKU# SG-ET4X-DCLIPS-01](#)
- Purpose-built shoulder strap [SKU# SG-ET5X-SHDRSTP-01](#) or [58-40000-007R](#)



Rugged boot for 10" tablets

SKU# [SG-ET4X-10EXOSKL1-01](#)

Rugged Boot / Exoskeleton for 10" ET40 and ET45 tablet

- Snap-on style; no tools needed
- Increases drop protection to 5.1ft / 1.55m
- Has hook points for D-clips and straps
- Leaves the battery door/cover area open to accommodate expansion backs that go to the back of the tablet
- Compatible with the single-slot and multi-slot cradles

Sold separately:

- D-clips [SKU# SG-ET4X-DCLIPS-01](#)
- Purpose-built shoulder strap [SKU# SG-ET5X-SHDRSTP-01](#) or [58-40000-007R](#)

Shoulder Straps and Hand Straps

Note: Straps and D-clips, on tablet/boot in certain orientations, may not be compatible with the multi-slot cradles. Users may need to unhook the D-clips to charge tablet in the cradle.



Breakaway Shoulder Strap

SKU# [SG-ET5X-SHDRSTP-01](#)

Shoulder strap with breakaway safety feature for 8" and 10" ET4X tablets

- Requires Rugged Boot and D-clips to hook to use with ET4X tablet
- Has points near the clip that break when pulled, for safety

Sold separately:

- D-clips [SKU# SG-ET4X-DCLIPS-01](#)
- Rugged boot [SKU# SG-ET4X-8EXOSKL1-01](#) or [SG-ET4X-10EXOSKL1-01](#)



Universal Shoulder Strap

SKU# [58-40000-007R](#)

Universal shoulder/cross-body strap for 8" and 10" ET4X tablets

- Requires Rugged Boot and D-clips to hook to use with ET4X tablet
- 1.5" wide, 22" to 50" length

Sold separately:

- D-clips [SKU# SG-ET4X-DCLIPS-01](#)
- Rugged boot [SKU# SG-ET4X-8EXOSKL1-01](#) or [SG-ET4X-10EXOSKL1-01](#)



Hand Strap

SKU# [SG-ET5X-HNDSTP-01](#)

Hand strap for 8" and 10" ET4X tablets

- Requires Rugged Boot and D-clips to hook to use with ET4X tablet
- Plastic handle for secure grip and carrying

Sold separately:

- D-clips [SKU# SG-ET4X-DCLIPS-01](#)
- Rugged boot [SKU# SG-ET4X-8EXOSKL1-01](#) or [SG-ET4X-10EXOSKL1-01](#)



D-clips

SKU# [SG-ET4X-DCLIPS-01](#)

Pair of D-clips that provides required hook points for a shoulder or hand strap on a rugged frame on 8" and 10" ET4X tablet

Stand and related accessories

ET40 and ET45 tablets are retail-ready and hospitality-ready with Zebra's Presentation Stand to facilitate a kiosk, check-in, self-service, information, or point-of-sale application.



Presentation Stand

SKU# [STND-ET4X-10POS1-01](#)

Presentation Stand for 10" ET40 and ET45 tablets

- Tablet is mounted to the stand and receives power and USB communication using the battery door adapter
- Stand features height adjustment, tablet tilting for the best view angle, and base rotation to switch between associate and customer controlling the application content based on the tablet orientation
- Tablet is secured using an electro-mechanical lock; can be unlocked using an application on tablet or a back-up mechanical key
- Accommodates tablet with or without rugged boot
- Can be mounted securely to the desk/table using a desktop mounting plate

Sold separately:

- Battery Door Adapter for Presentation Stand [SKU# MISC-ET4X-BTDPS-01](#)
- Desktop Mounting Plate [SKU# BRKT-ET4X-DSKPS-01](#)
- Power supply [SKU# PWR-BGA12V50W0WW](#) and DC cable [SKU# CBL-DC-388A2-01](#)
- Country-specific grounded AC line cord (options listed in this document) compatible with the power supply SKU.

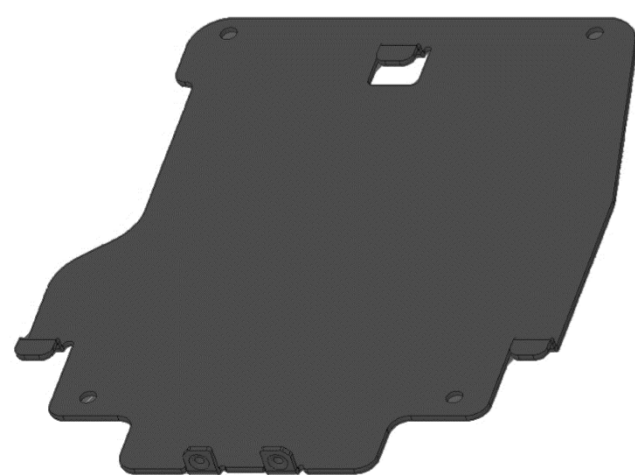


Battery Door Adapter for Presentation Stand

SKU# [MISC-ET4X-BTDPS-01](#)

Battery Door for 10" ET4X tablets to provide secure mounting to the Presentation Stand

- Replaces existing battery cover and screws down to back of tablet



Desktop Mounting Plate

SKU# [BRKT-ET4X-DSKPS-01](#)

Desktop Mounting Plate for Presentation Stand

- Enables secure mounting of Presentation Stand to the desk/table
- Provides additional security against theft of the stand and blocks the bottom USB and power ports

Stand and related accessories



Presentation Stand Release Tool

SKU# KT-MC18-CKEY-20

Mechanical tool to release the tablet from the Presentation Stand (pack of 20)

- Used as a back up mechanical release and/or in lieu of SW application.

Stylus and Tethers



Plastic Passive Stylus Set

SKU# [SG-TC7X-STYLUS-03](#)

Pack of three passive stylus and coiled tethers

- Rigid plastic stylus, conductive Carbon-filled plastic material with 5.0 mm / 0.2" tip and 8.9 cm / 3.5" length is optimized for enterprise durability.
- Stylus has a clip and tether point to reduce loss. Tether to hand strap on Expansion Back, Rugged Boot, or D-clip on Rugged Boot.
- Stylus may be clipped on the rotating hand strap of the Expansion Back for PowerPack.



Fiber Tipped Passive Stylus Set

SKU# [SG-STYLUS-TCX-MTL-03](#)

Pack of three passive stylus with Micro-Knit Hybrid Mesh Fiber Tip

- Heavy duty stylus, made from stainless steel and brass, with 12.7 cm / 5" length and Micro-Knit Hybrid Mesh fiber tip provides silent, smooth gliding use
- Ideal for use in rain or wet conditions
- Stylus has a clip and tether point to reduce loss.
- Stylus may be clipped on the rotating hand strap of the Expansion Back for PowerPack.

Sold separately:

- Coiled Tethers (pack of three) [SKU# KT-TC7X-TETHR1-03](#)



Coiled Tether Set

SKU# [KT-TC7X-TETHR1-03](#)

Pack of three coiled tether for use with plastic or fiber tipped passive stylus

- Tether to hand strap on Expansion Back, Rugged Boot, or D-clip on Rugged Boot

Headsets

Close gaps, Open possibilities with Workforce Connect

Usher in a new era of transformation—one led by your frontline and powered by Zebra Workforce Connect. One where communication and information flows freely and gaps between teams, workflows and data are closed.

With Workforce Connect, hindered workers become effective problem solvers, contributing their best. Critical workflows are streamlined in one place, on one device, equipping workers with the information they need, right at their fingertips.

Only Zebra offers the most complete lineup of software and rugged hardware with the scalability, support and service needed to make the greatest impact where it counts—on the frontline.

[Learn more about you can elevate your frontline workers with Zebra Workforce Connect.](#)



USB-C wired headsets for Workforce Connect

SKU# HDST-USBC-PTT1-01

PTT headset with USB-C connector; one-piece solution.

- For Push-To-Talk (PTT) applications with volume up/volume down/PTT buttons. Compatible with PTT Express/PTT Pro.
- Rotating earpiece allows for right or left ear configuration. Mono headset with microphone.
- Includes clip for attaching PTT button to clothing.

Headsets

Rugged Bluetooth and corded HD voice headsets for the most demanding industrial environments

When it comes to enabling speech-driven applications and voice communications in warehouses, manufacturing plants and outdoor yards, you need a headset that is specially designed for the job. The HS3100 Bluetooth and HS2100 corded headsets are loaded with features that offer everything you need in an industrial headset.

[Learn more about how these headsets deliver a superior voice experience.](#)



HS2100 wired rugged headsets

Corded HD voice headset for use with 8" and 10" ET40 and ET45 tablets

- Dustproof, spray proof, and waterproof.
- Noise cancellation for a superior voice experience in the noisiest environments.
- Swiveling boom mutes microphone allowing user to prevent voice pick applications from recognizing non-voice pick conversations.
- Feather-light for extraordinary comfort.
- Requires two adapter cables (sold separately): HS2100 to 3.5mm adapter [SKU# CBL-HS2100-3MS1-01](#) and USB-C to 3.5mm adapter [SKU# ADP-USBC-35MM1-01](#)

SKU#	Description
HS2100-OTH	HS2100 Rugged Wired Headset Over-The-Head Headband includes HS2100 Boom Module and HSX100 OTH Headband Module
HS2100-BTN-L	HS2100 Rugged Wired Headset (Behind-the-neck headband left)
HS2100-OTH-SB	HS2100 Rugged Wired Headset (Over-the-head headband) includes HS2100 Shortened Boom Module and HSX100 OTH headband module
HS2100-BTN-SB	HS2100 Rugged Wired Headset (Behind-the-neck headband left) includes HS2100 Shortened Boom Module and HSX100 BTN headband module



HS3100 wireless rugged headsets

Wireless Bluetooth voice headset for use with 8" and 10" ET40 and ET45 tablets

- Noise cancellation tuned for Voice-Directed Picking applications.
- Swap batteries on the fly — without losing the Bluetooth connection.
- Split-second tap-to-pair simplicity using NFC. 15 hours of battery power.

SKU#	Description
HS3100-OTH	HS3100 Rugged Wired Headset Over-The-Head Headband includes HS3100 Boom Module and HSX100 OTH Headband Module
HS3100-BTN-L	HS3100 Rugged Wired Headset (Behind-the-neck headband left)
HS3100-OTH-SB	HS3100 Rugged Wired Headset (Over-the-head headband) includes HS3100 Shortened Boom Module and HSX100 OTH headband module
HS3100-BTN-SB	HS3100 Rugged Wired Headset (Behind-the-neck headband left) includes HS3100 Shortened Boom Module and HSX100 BTN headband module
HS3100-SBOOM-01	HS3100 Shortened Boom Module (includes microphone boom, battery and windscreen)

Tablet-Related Spare / Replacements



Spare/Replacement Internal Battery for 8" Tablets

SKU# BTRY-ET4X-8IN1-01

India SKU# BTRY-ET4X-8IN1-IN

Field Replaceable Internal Battery for 8" ET4X tablets. Rechargeable Li-Ion 3.87V 6100mAh 23.61Wh.

- PowerPrecision Battery. Obtain advanced battery state of health information including charge level and battery age based on usage patterns.
- Internal Battery charges only when inside the tablet.



Spare/Replacement Internal Battery for 10" Tablets

SKU# BTRY-ET4X-10IN1-01

India SKU# BTRY-ET4X-10IN1-IN

Field Replaceable Internal Battery for 10" ET4X tablets. Rechargeable Li-Ion 3.87V 7600mAh 29.41Wh.

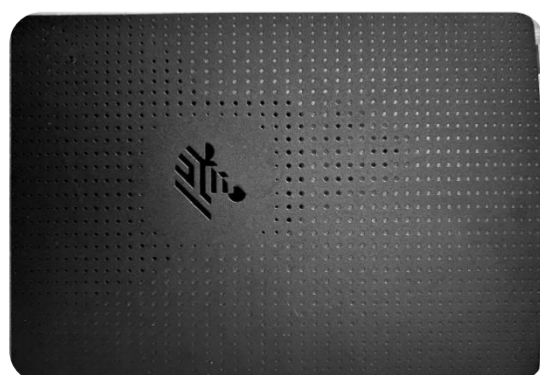
- PowerPrecision Battery. Obtain advanced battery state of health information including charge level and battery age based on usage patterns.
- Internal Battery charges only when inside the tablet.



Spare/Replacement Battery Cover for ET4X Tablets

8" SKU# MISC-ET4X-8BATCVR-01

10" SKU# MISC-ET4X-10BATCVR-01



Spare/Replacement Cover for Battery Housing for 8" or 10" ET40 and ET45

- Ideal when the original battery cover is lost or damaged.

Accessories-Related Spare / Replacements



Spare/Replacement Rotating Hand Strap

SKU# SG-ET5X-RHTP1-01

Spare/Replacement Rotating Hand Strap used on expansion back

- Adjustable and 360-degree rotatable handstrap that mounts on the back of the expansion back for ET4X SKU# ZBK-ET4X-8BTRYBK1-01 or SKU# ZBK-ET4X-10BTRYBK1-01
- Provides secure ergonomic option for holding the device

Third Party Accessories for ET40 and ET45 Tablets

Products on the following pages are not designed by Zebra Technologies.
Zebra does not formally test nor extend support to these products.



Patented and Pats. Pend.

RAM-HOL-ZE20PD2U
RAM® Power + Dual USB Dock
for Zebra ET40/ET45 8"

RAM® TOUGH-DOCK™ FOR ZEBRA ET40/ET45 8" & 10"

To conquer everyday tasks like inventory management, proof of pickup and delivery, or mobile point of sale, RAM® Mounts rugged mount and docking solutions enable Zebra's new ET40 & ET45 rugged tablets for field use. These docks come with many different options to keep your device connected to power and have the ability to add peripherals to your solution such as scanners, printers, speakers and more. Pair with any modular RAM® Mounts components to create a custom mounting solution for your forklift, truck, workstation and more!



Access to scanning function as well as a mounting point for an additional small device



Pogo pin docking contacts match pogo pins from the dock, for intuitive connectivity and port-protection



LEARN MORE

DOCKING OPTIONS



RAM-HOL-ZE20PU
RAM® Powered Dock
for Zebra ET40/ET45 8"



RAM-HOL-ZE21PDKLU
RAM® Locking Power + Single USB Dock
for Zebra ET40/ET45 10"

COMPATIBLE CHARGERS



RAM-GDS-CHARGE-V9U
GDS® 20-60VDC Input (12VDC Output)
Hardwire Charger w/ DC Cable



RAM-GDS-CHARGE-V10U
GDS® 10-32VDC Input (12VDC Output)
Hardwire Charger w/ DC Cable

ZEBRA ET40/ET45 8"

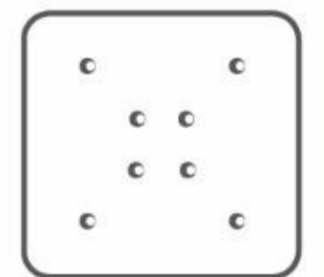
PART NUMBER	KEY LOCK	SINGLE USB PERIPHERAL	DUAL USB PERIPHERAL
RAM-HOL-ZE20PU			
RAM-HOL-ZE20PDU		•	
RAM-HOL-ZE20PD2U			•
RAM-HOL-ZE20PKLU	•		
RAM-HOL-ZE20PDKLU	•	•	
RAM-HOL-ZE20PD2KLU	•		•

MOUNT IT



RAM-D-2461U-C-247-4
RAM® 4" Square Post Clamp Mount
with 75x75mm VESA Plate

75MM VESA HOLE PATTERN RECOMMENDED



ZEBRA ET40/ET45 10"

PART NUMBER	KEY LOCK	SINGLE USB PERIPHERAL	DUAL USB PERIPHERAL
RAM-HOL-ZE21PU			
RAM-HOL-ZE21PDU		•	
RAM-HOL-ZE21PD2U			•
RAM-HOL-ZE21PKLU	•		
RAM-HOL-ZE21PDKLU	•	•	
RAM-HOL-ZE21PD2KLU	•		•



D SIZE RECOMMENDED





INTELLISKIN® WITH GDS® TECHNOLOGY™ FOR ZEBRA ET40/ET45 8" & 10"



[LEARN MORE](#)

Ruggedizing everyday tasks like inventory management, proof of pickup and delivery, or mobile point of sale just became easier. With GDS® Tech™ docking solutions and IntelliSkin® case system, Zebra's new ET40 & ET45 rugged tablets can stay connected and protected. These docks and skins come with pogo pin technology to keep your device connected to power and have the ability to add peripherals while protecting the devices' ports. This standardized connectivity unlocks the GDS® Ecosystem™ of products for a seamless workflow.



Patented and Pats. Pend.

INTELLISKIN®



RAM-GDS-SKIN-ZE20C-NG
IntelliSkin®
for Zebra ET40/ET45 8"



RAM-GDS-SKIN-ZE21C-NG
IntelliSkin®
for Zebra ET40/ET45 10"

DOCKING OPTIONS



RAM-GDS-DOCK-ZE20PU
GDS® Powered Dock
for Zebra ET40/ET45 8"



RAM-GDS-DOCKL-ZE21PD2U
GDS® Locking Power + Dual USB Dock
for Zebra ET40/ET45 10"

GDS® ECOSYSTEM™



RAM-GDS-DOCK-6G1PD-NGU
GDS® 6-Port Power Delivery
Desktop Charger for IntelliSkin®



RAM-GDS-DOCK-G7-8-NGU
GDS® Slide Dock™ with
Power Delivery for IntelliSkin®



RAM-GDS-DOCK-D7U
GDS® Desktop Dock
with Power Delivery



RAM-KB2-USB
GDS® Keyboard™
with Track Pad



RAM-GDS-CHARGE-V3FC-1U
GDS® 10-28V Hardwire USB
Type-C Power Delivery Charger

ZEBRA ET40/ET45 8" & 10"

PART NUMBER	KEY LOCK	SINGLE USB PERIPHERAL	DUAL USB PERIPHERAL
RAM-GDS-DOCK-ZE20PU			
RAM-GDS-DOCK-ZE20PDU		•	
RAM-GDS-DOCK-ZE20PD2U			•
RAM-GDS-DOCKL-ZE20PU	•		
RAM-GDS-DOCKL-ZE20PDU	•	•	
RAM-GDS-DOCKL-ZE20PD2U	•		•
RAM-GDS-DOCK-ZE21PU			
RAM-GDS-DOCK-ZE21PDU		•	
RAM-GDS-DOCK-ZE21PD2U			•
RAM-GDS-DOCKL-ZE21PU	•		
RAM-GDS-DOCKL-ZE21PDU	•	•	
RAM-GDS-DOCKL-ZE21PD2U	•		•



Rugged Mounts*



Premier
ISV Partner

*Zebra VESA Adapter SKU#ZBK-ET4X-10VESA-01 accessory is required for attachment to the ENS VESA mounts.



MD-501

Technology Mounting Solution

- Includes AMPS and VESA 75/100MM mounting plate
- Universal mounting configurations, clamps securely to any square, rectangular, or round pole from 1.00" to 4.00"
- TPU over-molded steel clamps provide strength & vibration dampening
- Capable of independently adjusting rotation angle at both ends
- Supports solutions up to 8 lbs.



MD-3008

Scanner Bucket

- Accommodates most Zebra scanners
- Opening on the bottom of the cradle allows user to scan while scanner is holstered
- Easily mounts to the AMPS pattern on the MD-501
- Intuitive two-piece design allows for a customized fit



UT-5001

Universal Tablet Holder

- Universal tablet mount attachment for MD-501
- Uniquely adjustable for almost unlimited use cases
- Easily adjust screen angle for optimum user experience
- Compatible with 7" to 10" tablets (limitations may apply)



DM-10-102

Display Mount

- Single VESA 75/100MM mount, supports up to 7lbs.
- Standard Duty with Free Standing Base
- Also available without Free Standing Base



C-MAG Series

Display Mount

- Securely Mounts VESA 75/100MM or AMPS compatible devices up to 8lbs
- Dual knuckle allows for easy adjustments and full articulation
- No drilling required – 120lbs magnet pull force provides easy, secured damage-free installation



UT-301

Universal Rugged Cradle

- Simple & secure – for 7-9" computing devices, mounts via VESA 75MM
- Lock and key supplied for extra security, non-electronic mount
- Simple 3-point adjustment



Learn more about our solutions at ens-co.com



Versatile Mounts*



Premier
ISV Partner

*Zebra VESA Adapter SKU#ZBK-ET4X-10VESA-01 accessory is required for attachment to the ENS VESA mounts.



MM-10-116

16" Extruded Pole

- 1.75" (45mm) dia. Pole
- Mounting Channels on all 4 sides
- Back-to-back devices at same height
- Hides and protects cables
- Available in 24" height also



MM-10-302

Double Pivot Mount

- Provides display tilt (up 90°/down 32°)
- Provides 330° display rotation
- 75mm/100mm VESA mounting
- Supports up to 15lbs monitors



MM-10-199

16" (406mm) Free Standing Base

- Ideal for glass and stone countertops
- Allows cables to route through counter
- Hides cables under base
- Corner pads protect counter



MM-10-601

Scanner Mount

- Universal design for handhelds
- Attaches to VESA displays
- Width adjustable
- For monitors 15" to 20" wide



MM-10-203

Channel Mount

- Vertically adjustable on Extruded Pole
- Attaches Displays, Payment, Printers to Pole



MM-10-204

Channel Arm

- Vertically adjustable on Extruded Pole
- Attaches displays, payment, printers to Pole
- Extends device away from Pole 8"

MM-10-901

Large Cable Bundle Cover Kit

- Ideal for All-in-One PC's
- Hides and protects cable bundles up to 1" dia.
- Allows cables to route through counter



Fully assembled MM-1000



Learn more about our solutions at ens-co.com



RUGGED. RELIABLE. RESPONSIVE.



ZEBRA ET4X 8" & 10" SLIM DOCKING STATION

Manage your fleets with precision. Stay connected with Gamber-Johnson's rugged Dual USB Docking Stations specifically designed for the Zebra ET4X 8" and 10" rugged tablet series.

Combine the Zebra ET4X enterprise tablet with Gamber-Johnson's new vehicle docking station, with dual powered USBs for added productivity. Each powered USB port provides 1.5A, strong enough to power a long-range scanner and a printer or other peripheral. This dock will keep the ET4X tablet charged all day long and provides the port replication to connect the right peripheral devices to get the job done.

CERTIFICATION & TESTING

- MIL-STD 810G Shock/Vibration Tested
- MIL-STD 810G Environmental Testing: Humidity, High/low temperature, (storage/operational)
- SAE J1455 Crash Tested
- Cycle Tested: 30K cycles, docking connector, latching & locking mechanisms
- RoHS, FCC, CE Certifications

PORT REPLICATION

- (2) USB 2.0 - each with 1.5A power

WEIGHT & DIMENSIONS

WEIGHT	HEIGHT	WIDTH	DEPTH
1.3 lbs / 0.58 kg	10.1 in / 26.65 cm	7.75 in / 19.69 cm	2.8 in / 7.11 cm

PRODUCT SELECTION

ITEM NUMBER	DESCRIPTION
7160-1801-00	Zebra ET4X 8" SLIM Dual USB Docking Station (Bare Wire)
7160-1801-04	Zebra ET4X 8" SLIM Dual USB Docking Station (2.5mm DC Power Jack)
7160-1801-20	Zebra ET4X 8" SLIM Docking Station (Lite Full Board Replication)
7160-1807-00	Zebra ET4X 10" SLIM Dual USB Docking Station (Bare Wire)
7160-1807-04	Zebra ET4X 10" SLIM Dual USB Docking Station (2.5mm DC Power Jack)
7160-1807-20	Zebra ET4X 10" SLIM Docking Station (Lite Full Board Replication)

FEATURES

- Designed for the Zebra ET4X 8" and 10" rugged tablet
- Zebra's rugged boot is required in order to work with docking station
- Dual powered USB ports; 1.5A for each port for connecting peripheral devices
- 10-40V power input range to support a wide range of mobile applications
- All features of tablet are functional while the tablet is safely docked
- Simple, one-handed docking and release operation:
 - Insert bottom of Zebra tablet into the docking station and push top of the tablet in until the lock engages.
 - Push latch button up with your thumb then remove the tablet from the docking station.
- POGO pin connector and internal power supply provides power to charge the Zebra tablet while docked
- Barrel Key lock for theft deterrence
- VESA 75mm mounting pattern; compatible with Zirkona mounting products
- Bare Wire, 2.5mm DC Power Jack, and Lite Port Replication options
- Can be mounted on a flat vertical surface
- Composite design for reduced overall weight

ACCESSORIES

- Rugged Lite Keyboard (7160-1449-00)

LITE FULL BOARD DOCKING SOLUTIONS

A lite full board docking station will be available. This solution includes:

- (2) USB 2.0
- (1) Serial Port
- (1) Ethernet Port



RUGGED. RELIABLE. RESPONSIVE.



ZEBRA ET4X 10" 2-IN-1 ATTACHABLE KEYBOARD

Rugged products designed for the mobile worker everywhere.

Gamber-Johnson's attachable keyboard for the Zebra ET4X Series enterprise rugged tablet is the perfect solution for the mobile worker. Install the tablet in seconds to add the functionality of a keyboard with a smooth responsive feel with features you are familiar with. The USB port can be used to attach a flash drive or another peripheral and the keyboard's hard carry handle makes it easy to carry your tablet/keyboard combo anywhere. The compact design of the ET4X Series tablet and attachable keyboard make it a perfect productivity tool for the mobile worker looking for a rugged portable solution they can take anywhere.

SPECIFICATIONS

- USB-A (2.0) Port: 5V@500mA
- Temperature range: OPERATING: -20°C to 60°C STORAGE: -40°C to 85°C
- Designed to IP54 ingress specifications
- Two million actuation per key
- RoHS, FCC Class B, CE, REACH, and C-Tick Certifications

PORT REPLICATION

- (2) USB 2.0 - each with 1.5A power

WEIGHT & DIMENSIONS

WEIGHT	HEIGHT	WIDTH	DEPTH
1.31 lbs / 0.59 kg	2.03 in / 5.15 cm	10.8 in / 27.4 cm	9.71 in / 24.6 cm

FEATURES

- Designed for the Zebra ET4X 10" Series tablet without rugged frame Integrated center touchpad with right and left mouse buttons
- 76-key keyboard with 12 function keys for custom operation
- Silicone rubber keys with white lettering and a rugged polycarbonate case
- Easy to install - POGO docking connector links the tablet to the keyboard
- Easily connect the tablet to the keyboard; slip the bottom of the tablet into the case and snap the top of the case over the tablet
- USB 2.0 port (500mA) to attach a mouse, another peripheral, or flash drive
- Charge the tablet directly from the tablet's USB-C port
- All computer features including camera, microphone, speakers, USB-C port, barcode scanner and all control buttons are accessible when the tablet is docked onto the keyboard
- Friction hinge and screen footrest with rubber feet help position the tablet at a comfortable viewing angle
- Hard carry handle with two attachment rings for shoulder strap enhance portability
- Low-profile ergonomic design for ease of use in a mobile environment
- Available in US English (7160-1789-00), UK (7160-1789-01), German (7160-1789-02), French (7160-1789-03), Spanish (7160-1789-04), Contact Gamber-Johnson for other language options.

ACCESSORIES

- Shoulder Strap (7400-020-01)

PRODUCT SELECTION

ITEM NUMBER	DESCRIPTION
7160-1789-00	KEYBOARD, 2-IN-1 ATTACH, ZEBRA 4TX, ENGLISH (USA)
7160-1789-01	KEYBOARD, 2-IN-1 ATTACH, ZEBRA 4TX, ENGLISH (UK)
7160-1801-02	KEYBOARD, 2-IN-1 ATTACH, ZEBRA 4TX, GERMAN
7160-1789-03	KEYBOARD, 2-IN-1 ATTACH, ZEBRA 4TX, FRENCH
7160-1789-04	KEYBOARD, 2-IN-1 ATTACH, ZEBRA 4TX, SPANISH

