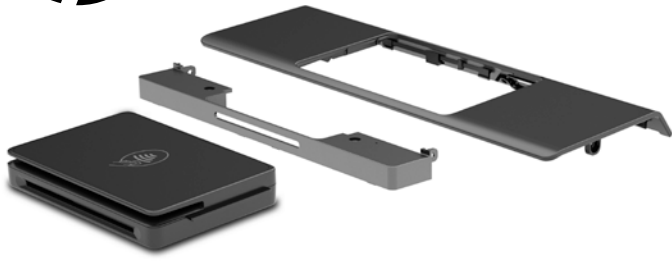




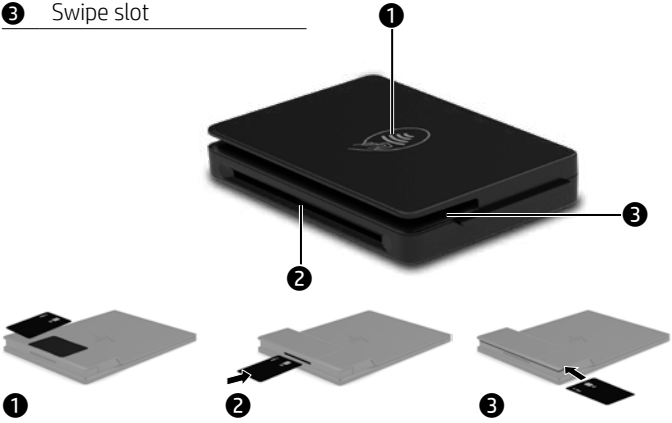
<https://www.hp.com/support>



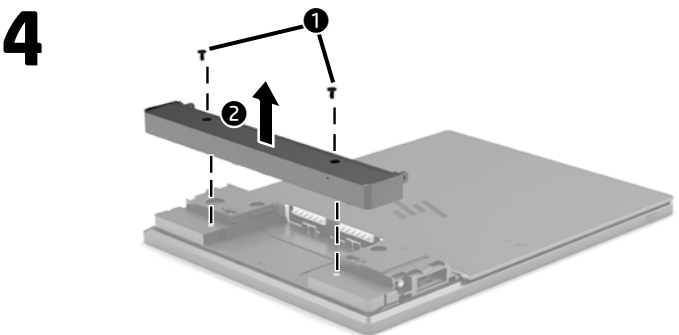
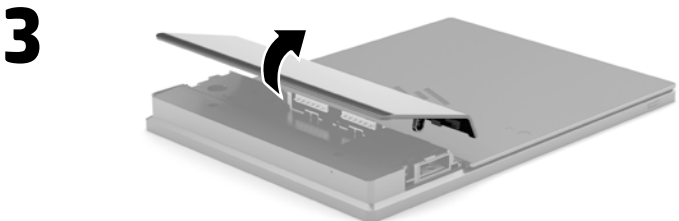
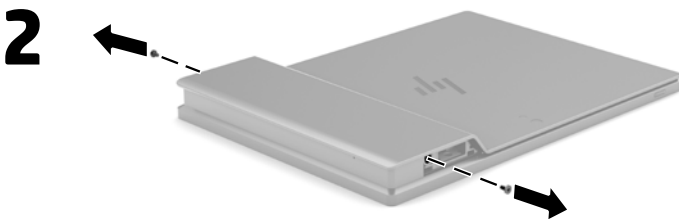
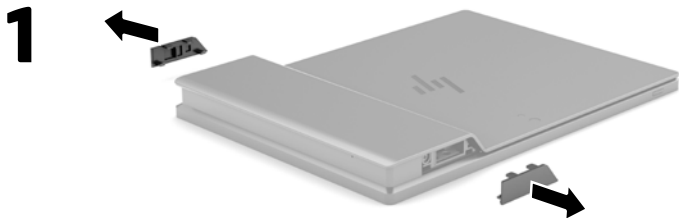
All products shown are sold separately.

Component

- ① Contactless card scanner
- ② EMV chip insertion slot
- ③ Swipe slot



HP Engage Go 10 Integrated Payment Module Disassembly



For regulatory, certification, and environmental information, including Restriction of Hazardous Substances (RoHS), scan the QR code, or go to www.hp.com/go/regulatory.

© Copyright 2021-2022 HP Development Company, L.P.

The information contained herein is subject to change without notice. The only warranties for HP products and services are set forth in the express warranty statements accompanying such products and services. Nothing herein should be construed as constituting an additional warranty. HP shall not be liable for technical or editorial errors or omissions contained herein.

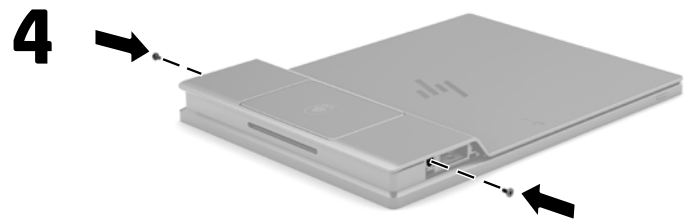
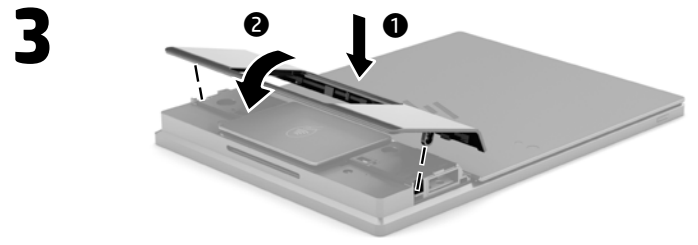
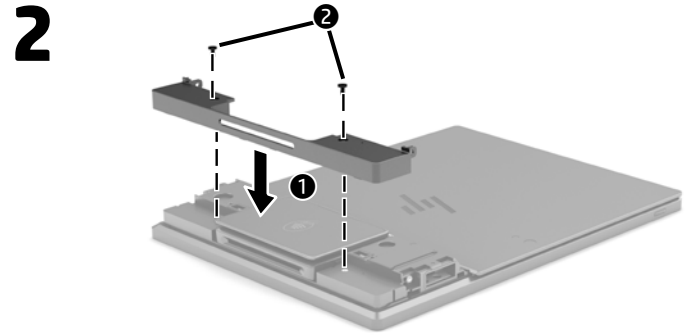
Third Edition: February 2022
First Edition: September 2021



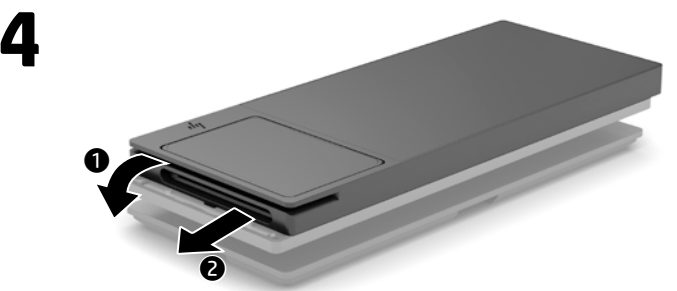
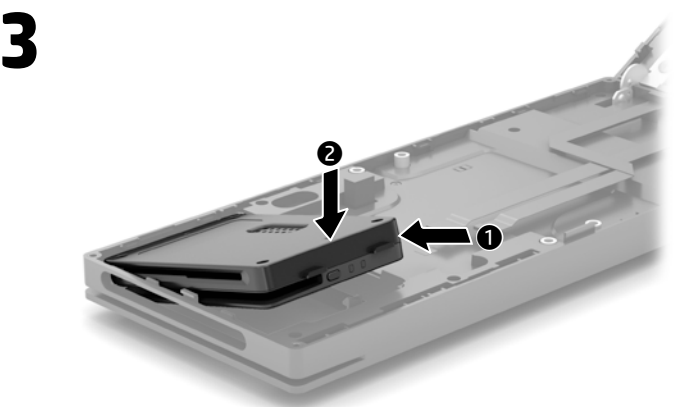
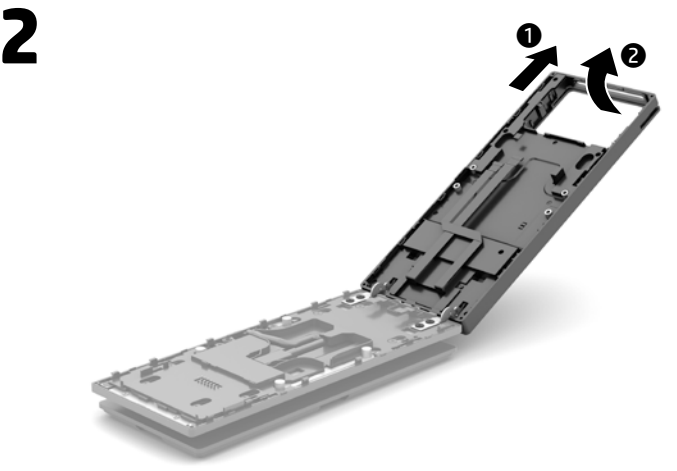
M85031-003

PRINTER: Replace this box with Printed-In (PI) Statement(s) as per spec.
NOTE: This box is simply a placeholder. PI Statement(s) do not have to fit inside the box but should be placed in this area.

HP Engage Go 10 Integrated Payment Module Installation



HP Engage 6.6 inch Display Installation



HP Engage One Essential Integrated Payment Module Installation

