



# **Poly Partner Mode (G7500, Studio X Series, and Studio E70)**

User Guide

3.14.0 | November 2022 | 3725-86559-015C

# Contents

Before You Begin .....	4
Audience, Purpose, and Required Skills .....	4
Related Poly and Partner Resources .....	4
Getting Started .....	5
Poly Partner Mode Overview .....	5
Navigating Your System .....	5
Poly IR Remote Control Button Functions .....	5
Bluetooth Remote Control Button Functions .....	6
Enable TalkBack in Microsoft Teams Rooms .....	8
Product Overview of Poly Video Systems .....	8
Poly G7500 System Features and Capabilities .....	9
Poly Studio X70 Features and Capabilities .....	9
Poly Studio X50 Features and Capabilities .....	9
Poly Studio X30 Features and Capabilities .....	10
Poly Studio E70 Camera Overview .....	10
Administrator Features and Capabilities .....	10
Overview of System Hardware .....	11
Poly G7500 Hardware .....	11
Poly Studio X70 Hardware .....	11
Poly Studio X50 Hardware .....	12
Poly Studio X30 Hardware .....	13
Poly Studio X50 and Studio X30 Privacy Cover .....	14
Poly Studio E70 Camera Hardware .....	14
LED Status Indicators .....	15
LED Status Indicators for the G7500 System .....	15
LED Status Indicators for the Studio X70 System .....	16
LED Status Indicators for Studio X50 and Studio X30 Systems .....	17
LED Status Indicators for the Studio E70 Camera .....	17
Powering the System On and Off .....	18
Wake the System .....	18
Accessibility Features .....	18
Users Who Are Deaf or Hard of Hearing .....	18
Users Who Are Blind, Have Low Vision, or Have Limited Vision .....	19
Users with Limited Mobility .....	19
Sharing Content .....	20
Share Content Using an HDMI Connection .....	20
Using Device Mode .....	21
Computer and Cable Requirements for Device Mode .....	21
Access Device Mode .....	21
Use Your System as a Computer Accessory .....	21
Adjust the System Audio and Camera Settings in Device Mode .....	22
Managing Incoming Calls When in Device Mode .....	22
Exit Device Mode and Disconnect Your Computer .....	22
Settings .....	24
Cameras .....	24
Adjust an In-Room Camera .....	24
Turn Camera Tracking On or Off .....	24
Audio Adjustments .....	24
Adjust the Volume .....	24
Troubleshooting .....	25
Poly Device Mode .....	25
Audio Levels are Too High or Low .....	25
Conferencing Application Doesn't Use System Camera or Audio .....	25
Can't Use System's Camera or Audio .....	25
Improve Audio Quality .....	25



# Before You Begin

The *Poly Video Mode User Guide* contains overview information, procedures, and references you can use to perform tasks with your video system.

The information in this guide applies to all the following Poly video systems and peripherals except where noted:

- Poly Bluetooth Remote Control (model: P010)
- Poly IR Receiver (BW7650)
- Poly IR Remote (BW7600)
- Poly Microphone IP Adapter (model: P012)
- Poly IP Table Microphone (model: P013)
- Poly IP Ceiling Microphone (model: P014)
- Poly Studio X70 (model: P026)
- Poly Studio X50 (model: P017)
- Poly Studio X30 (model: P018)
- Poly Studio E70 (model: P025)
- Poly TC8 (model: P020)

## Audience, Purpose, and Required Skills

This guide is intended for beginning users, as well as intermediate and advanced users who want to learn how to use the features available with system.

## Related Poly and Partner Resources

See the following sites for information related to this product.

- [Poly Support](#) is the entry point to online product, service, and solution support information. Find product-specific information such as Knowledge Base articles, Support Videos, Guide & Manuals, and Software Releases on the Products page, download software for desktop and mobile platforms from Downloads & Apps, and access additional services.
- The [Poly Documentation Library](#) provides support documentation for active products, services, and solutions. The documentation displays in responsive HTML5 format so that you can easily access and view installation, configuration, or administration content from any online device.
- The [Poly Community](#) provides access to the latest developer and support information. Create an account to access Poly support personnel and participate in developer and support forums. You can find the latest information on hardware, software, and partner solutions topics, share ideas, and solve problems with your colleagues.
- The [Poly Partner Network](#) is a program where resellers, distributors, solutions providers, and unified communications providers deliver high-value business solutions that meet critical customer needs, making it easy for you to communicate face-to-face using the applications and devices you use every day.
- [Poly Services](#) help your business succeed and get the most out of your investment through the benefits of collaboration. Enhance collaboration for your employees by accessing Poly service solutions, including Support Services, Managed Services, Professional Services, and Training Services.
- With [Poly+](#) you get exclusive premium features, insights and management tools necessary to keep employee devices up, running, and ready for action.
- [Poly Lens](#) enables better collaboration for every user in every workspace. It is designed to spotlight the health and efficiency of your spaces and devices by providing actionable insights and simplifying device management.

# Getting Started

Before you use your system, familiarize yourself with its features and local interface.

## Poly Partner Mode Overview

Poly Partner Mode allows you to run third-party conferencing applications on supported Poly video systems. For example, after powering on your system for the first time, you can select Zoom Rooms to place Zoom calls.

Refer to the supported partner documentation for information on using third-party applications:

- **Microsoft Teams Rooms:** <https://support.office.com/en-us/teams>
- **Zoom Rooms:** <https://support.zoom.us/hc/en-us>
- **BlueJeans Rooms by Verizon:** <https://support.bluejeans.com/s/>
- **Dialpad:** <https://help.dialpad.com/>
- **GoToRoom by LogMeIn:** <https://support.goto.com/products>
- **RingCentral Rooms (RCV Rooms):** <https://support.ringcentral.com/>
- **Tencent:** <https://meeting.tencent.com/cloud-rooms.html>

## Navigating Your System

The system has icons and user screens to help you navigate and understand important information about your system.

When the system is running a partner application such as Teams Rooms or Zoom Rooms, the partner application provides controls and a user interface specific to their application.

When you pair a Poly TC8 touch controller with your system, the partner application presents the system controls on the TC8 touch controller.

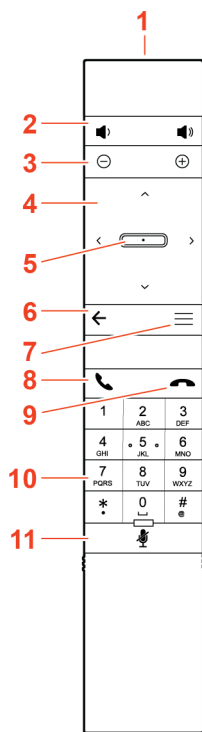
Available system controls vary between partner applications.

## Poly IR Remote Control Button Functions

When you connect a Poly IR receiver to your G7500 or Studio X system, you can use the Poly IR remote control to navigate your system.

**Note:** The Poly IR Remote Control and Receiver are not a certified accessories for use in Microsoft Teams native mode. Remote control functionality may be limited in other partner applications.

The following illustration and table show the buttons and functionality of the Poly IR remote control.



### IR Remote Button Functions

Item	Description	Function
1	IR LED	Sends IR signals to the IR receiver
2	Volume	Increase or decrease the volume
3	Camera zoom	Zoom the camera in or out
4	Navigation controls	Navigate the user interface.
5	Select	Select an item on the user interface or adjust a toggle
6	Back arrow	Return to the previous screen
7	Menu	In Poly Video mode only, show or hide the settings and camera controls
8	Call	Display the calls screen or answer an incoming call
9	End call	End an active call or reject an incoming call
10	Dialpad	Dial a number
11	Mute	Mute or unmute the system microphones

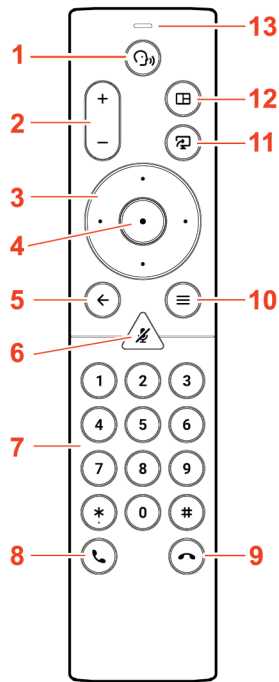
### Bluetooth Remote Control Button Functions

When you pair the Poly Bluetooth remote control with your G7500 or Studio X system, you can use the remote control to navigate your system.

**Note:** The Poly Bluetooth remote control is not a certified accessory for use in Microsoft Teams native mode.

Remote control functionality may be limited in other partner applications.

The following illustration and table show the buttons and functionality of the Bluetooth remote control. The functionality is specific to Poly Video mode.



### IR Remote Button Functions

Item	Description	Function
1	Voice Assistant	Feature planned for future use
2	Volume or zoom	Adjust volume up and down or, in camera mode, zoom the camera in or out
3	Navigation controls	Navigate the screen In camera mode, controls camera pan and tilt
4	Select	Select an item on the user interface or adjust a toggle
5	Back arrow	Return to the previous screen
6	Mute	Mute the system microphones. Long press to pair the remote control with the system
7	Keypad	Dial a number. Select camera presets while in a call in
8	Call button	Display the calls screen or answer an incoming call
9	End call	End an active call, reject an incoming call, or end a meeting
10	Menu	Open the available system menu to access features

Item	Description	Function
11	Present content	From the home screen, display the content help screen In a meeting, open the content tray and select available content to share
12	Layout	Open the layout screen to choose how two or more participants display on the screen
13	Voice Assistant Microphone	Feature planned for future use

## Enable TalkBack in Microsoft Teams Rooms

When you enable Talkback, you can navigate the Teams Rooms user interface using touch. As you navigate the interface, the device announces the elements you navigate to or select.

**Note:** Talkback is disabled by default. If the device restarts, you'll need to reenable Talkback.

### Task

- 1 On the touch controller, select **More > Settings > Device Settings > Accessibility**.
- 2 Enable **Talkback**.

### Navigating Talkback in Microsoft Teams Rooms

Navigate the user interface by touch using a menu of available gestures. As you navigate the screen, the device announces the item you select.

**Note:** Items in the **Settings** menu may appear below the screen. To access items below the screen, use two fingers to scroll up or swipe right on the screen to go down the list.

### Talkback Navigation

Touch Gesture	Result
Swipe right	Moves to the next user interface element and announces the element name
Swipe left	Moves to the previous user interface element and announces the element name
Drag one finger around the screen	Speaks the name of the user interface item or the onscreen text as your finger moves over it
Double tap the screen	Selects the user interface item currently in focus
Swipe down then left	Returns to the main screen
Swipe up or down and right	Opens the Talkback menu
Swipe up or down with two fingers	Scrolls through menu items
Swipe down then left	Return to the main screen

## Product Overview of Poly Video Systems

Poly G7500, Studio X70, Studio X50, and Studio X30 systems in Partner Mode can seamlessly join meetings using third-party conferencing applications.

**Note:** Exact features and capabilities can vary between partner applications. See the application's documentation for information.

[Poly G7500 System Features and Capabilities](#) on page 9

[Poly Studio X70 Features and Capabilities](#) on page 9

[Poly Studio X50 Features and Capabilities](#) on page 9

[Poly Studio X30 Features and Capabilities](#) on page 10

[Poly Studio E70 Camera Overview](#) on page 10

[Administrator Features and Capabilities](#) on page 10

## **Poly G7500 System Features and Capabilities**

G7500 systems support the following features:

- Peripheral cameras and microphones make the system scalable for medium rooms and up to large integrated rooms
- Placing and joining video calls
- Sharing wireless and wired content
- Camera tracking technology that can automatically zoom in on the person talking or frame the group of people in the room (depending on the paired camera and system configuration)
- Poly NoiseBlockAI, which eliminates background and extraneous sound during calls in common working environments
- Polycom Acoustic Fence technology, which enables video conferencing in open workspaces by capturing only the voices in a defined area
- HDMI: Single input and dual output
- Using a wired or wireless USB mouse as an input device

## **Poly Studio X70 Features and Capabilities**

### **Poly Studio X70 Features and Capabilities**

Studio X70 systems support the following features:

- All-in-one collaboration system for medium-to-large rooms
- No need for a separate PC, laptop, or codec to run video-conferencing software
- Placing and joining video calls
- Sharing wireless and wired content
- Dual built-in 4K cameras
- Camera tracking technology that automatically frames the group of people in the room
- Hi-fidelity, built-in stereo microphones that pick up sound within 7.62 m (25 ft) and use spatial audio for life-like presence and clarity
- Poly NoiseBlockAI, which eliminates background and extraneous sound during calls in common working environments
- HDMI: Single input and dual output
- Using a wired or wireless USB mouse as an input device

### **Poly Studio X70 Mounting Orientation**

You can mount the Studio X70 above or below a display. The Studio X70 doesn't support inverted mounting. For information on mounting the Studio X70, see the Studio X70 setup sheet.

## **Poly Studio X50 Features and Capabilities**

### **Poly Studio X50 Features and Capabilities**

Studio X50 systems support the following features:

- All-in-one collaboration system for huddle rooms and small-to-medium rooms
- No need for a separate PC, laptop, or codec to run video-conferencing software
- Placing and joining video calls

- Sharing wireless and wired content
- Built-in 4K camera with ultra-wide 120-degree field of view
- Camera tracking technology that automatically frames the group of people in the room
- Hi-fidelity, built-in stereo microphones that pick up sound within 7.62 m (25 ft) and use spatial audio for life-like presence and clarity
- Poly NoiseBlockAI, which eliminates background and extraneous sound during calls in common working environments
- Dual stereo speakers
- HDMI: Single input and dual output
- Using a wired or wireless USB mouse as an input device

### **Poly Studio X50 Mounting Orientation**

You can mount the Studio X50 above or below a display. The Studio X50 doesn't support inverted mounting. For information on mounting the Studio X50, see the Studio X50 setup sheet.

## **Poly Studio X30 Features and Capabilities**

### **Poly Studio X30 Features and Capabilities**

Studio X30 systems support the following features:

- All-in-one collaboration system for huddle rooms and small-to-medium rooms
- No need for a separate PC, laptop, or codec to run video-conferencing software
- Placing and joining video calls
- Sharing wireless and wired content
- Built-in 4K camera with ultra-wide 120-degree field of view
- Camera tracking technology that automatically frames the group of people in the room
- High-fidelity, built-in stereo microphones that pick up sound within 4.57 m (15 ft) and use spatial audio for life-like presence and clarity
- Poly NoiseBlockAI, which eliminates background and extraneous sound during calls in common working environments
- Single mono speaker
- HDMI: Single input and output
- Using a wired or wireless USB mouse as an input device

### **Poly Studio X30 Mounting Orientation**

You can mount the Studio X30 above or below a display. The Studio X30 supports inverted mounting. For information on mounting the Studio X30, see the Studio X30 setup sheet.

## **Poly Studio E70 Camera Overview**

Poly Studio E70 is a dual-camera solution supported on Poly G7500 and Studio X50 systems running Poly VideoOS 3.6 or later.

The Poly Studio E70 camera is a standalone USB 4K camera that with full tracking and framing capabilities. The Studio E70 camera provides coverage up to 7.6 m (25 ft).

Microphones in the Studio E70 camera provide accurate sound source location to support camera tracking.

## **Administrator Features and Capabilities**

The G7500 and Studio X Family systems provide features for administrators to deploy, manage, and access systems.

These systems provide the following features and capabilities:

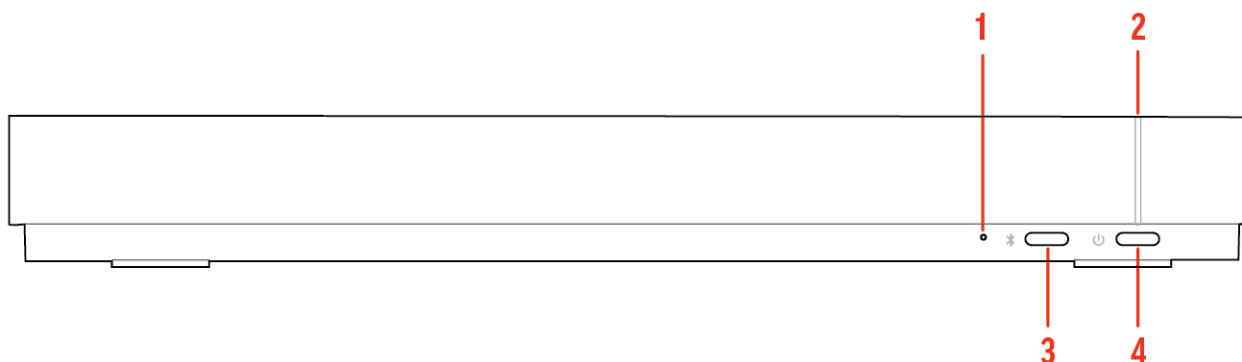
- Remote access for managing standalone systems
- Provisioning with Poly Clariti Manager to support single system, small business, and large multisite enterprise deployments
- SNMP reporting and remote logging
- Industry-standard security techniques, including 802.1X authentication

## Overview of System Hardware

The figures and tables in the following topics provide information about hardware features available on your system.

### Poly G7500 Hardware

The following figure displays the hardware features on the Poly G7500 system. The table lists each feature numbered in the figure.

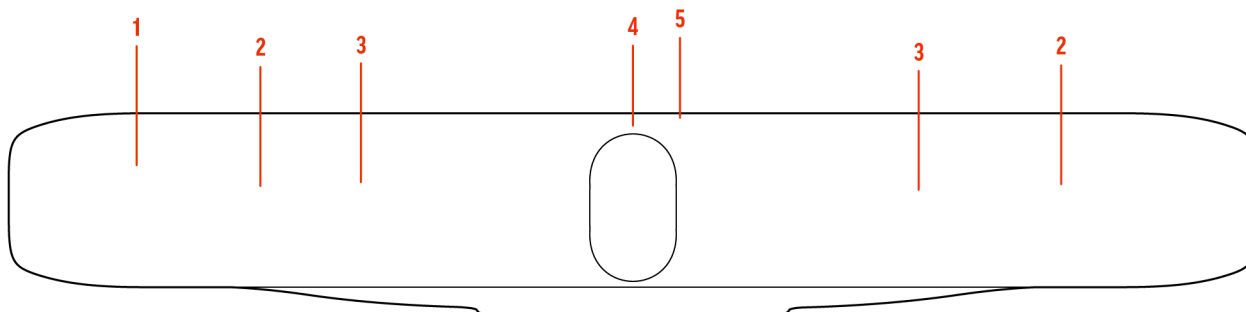


### Poly G7500 Feature Descriptions

Ref. Number	Feature	Feature Description
1	Reset button	Resets the Poly G7500 to the factory software version
2	LED indicator	Indicates the system status
3	Remote control pairing button	Enables the Bluetooth remote control pairing mode
4	Restart button	Restarts your system

### Poly Studio X70 Hardware

The following figure displays the hardware features on the Poly Studio X70 system. The table lists each feature numbered in the figure.



Ref. Number	Feature	Description
1	Screen	Protective screen that covers the front of the system
2	Microphone array	Microphone array that captures audio
3	Speakers	Stereo audio output
4	Dual cameras	Camera array with a privacy shutter that automatically opens or closes, depending on the camera state
5	LED indicators	Indicates the system status and information on the tracked speaker

### Poly Studio X70 Privacy Shutter Behavior

The privacy shutter automatically opens and closes depending on the state of the connected video system.

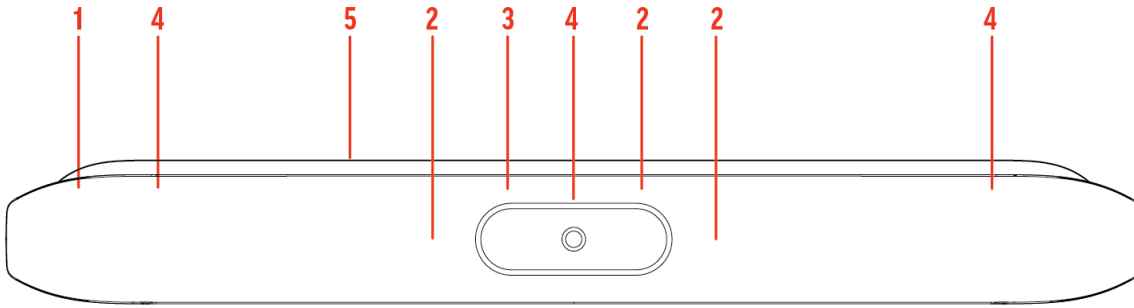
**Note:** Shutter behavior may vary depending on the partner application.

### Poly Studio X70 Privacy Shutter Behavior

System Event	Shutter Behavior
The system powers on	Shutters open
The system powers off	Shutters close <b>Note:</b> If you remove power immediately, the shutters don't close.
The system enters sleep mode or digital signage starts and the <b>Camera Sleep Setting</b> is set to <b>Save Energy</b>	Shutters close
The system enters sleep mode or digital signage starts and <b>Camera Sleep Setting</b> is set to <b>Fast Wake</b>	Shutters remain open <b>Note:</b> When <b>Fast Wake</b> is set, the shutters never close.
You wake the system	Shutters open
You wake the system and the Studio X70 built-in camera isn't the primary camera	Shutters remain closed
You select the Studio X70 built-in camera as the primary camera	Shutters open
The system receives an incoming call	If the shutters are closed, they remain closed until the call is answered
The system is sending video	Shutters are open
The system is in an active call and the video is muted	Shutters are open

### Poly Studio X50 Hardware

The following figure displays the hardware features on the Poly Studio X50 system. The table lists each feature numbered in the figure.

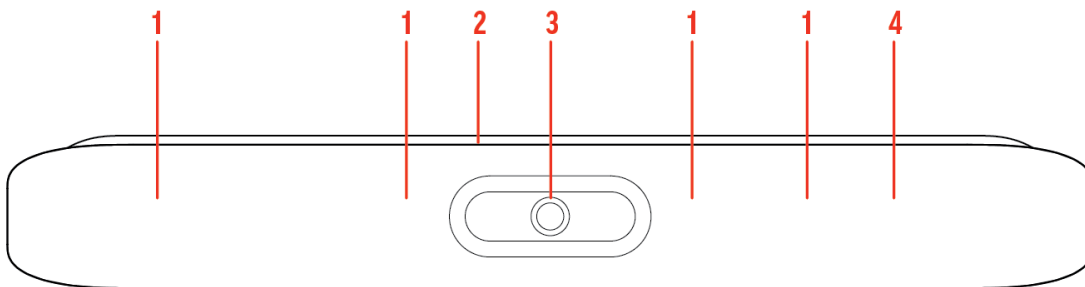


### Poly Studio X50 Feature Descriptions

Ref. Number	Feature	Feature Description
1	Screen	Protective screen that covers the front of your system
2	Microphone array	Microphone array that captures audio
3	Camera	Camera with a privacy cover that enables or disables the video input as you choose
4	Speakers	Stereo audio output
5	LED indicators	Indicates the system status and information on the tracked speaker

### Poly Studio X30 Hardware

The following figure displays the hardware features on the Poly Studio X30 system. The table lists each feature numbered in the figure.

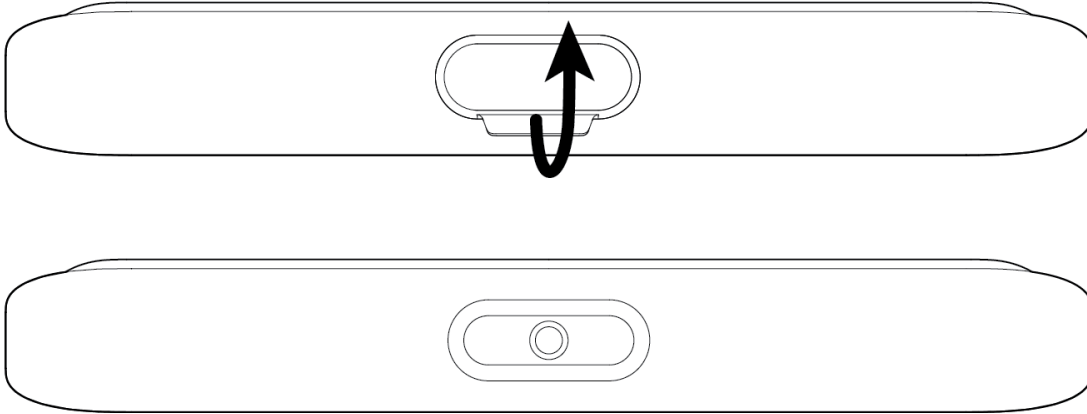


### Poly Studio X30 Feature Descriptions

Ref. Number	Feature	Feature Description
1	Microphone array	Microphone array that captures audio
2	LED indicators	Indicates the system status and information on the tracked speaker
3	Camera	Camera with a privacy cover that enables or disables the video input as you choose
4	Speaker	Mono audio output

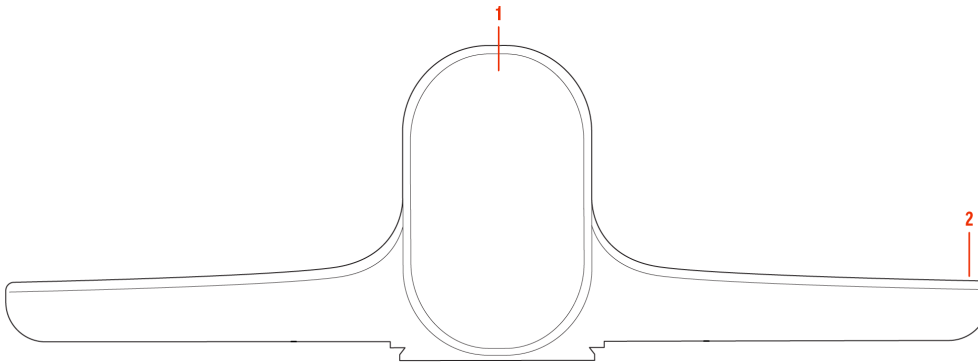
## Poly Studio X50 and Studio X30 Privacy Cover

The Poly Studio X50 and Studio X30 systems provide a physical cover that you can place over the camera lens to protect your privacy.



## Poly Studio E70 Camera Hardware

The following figure displays the hardware features on the Poly Studio E70 camera.



### Poly Studio E70 Feature Descriptions

Reference Number	Feature	Description
1	Dual-cameras	Camera array with a privacy shutter that automatically opens or closes depending on the camera state
2	LED indicators	Front and right indicators that show the status of the camera

### Poly Studio E70 Privacy Shutter Behavior

The privacy shutter automatically opens and closes depending on the state of the connected video system.

**Note:** Shutter behavior may vary depending on the partner application.

System Event	Shutter Behavior
The system powers on	Shutters open
The system powers off	Shutters close <b>Note:</b> If you remove power immediately, the shutters don't close.
The system enters sleep mode or digital signage starts and the <b>Camera Sleep Setting</b> is set to <b>Save Energy</b>	Shutters close
The system enters sleep mode or digital signage starts and <b>Camera Sleep Setting</b> is set to <b>Fast Wake</b>	Shutters remain open <b>Note:</b> When <b>Fast Wake</b> is set, the shutters never close.
You wake the system	Shutters open
You wake the system and the Studio E70 isn't the primary camera	Shutters remain closed
You select the Studio E70 as the primary camera	Shutters open
The Studio E70 isn't the primary camera and is idle for five minutes	Shutters close
The system receives an incoming call	If the shutters are closed, they remain closed until the call is answered
The system is sending video	Shutters are open
The system is in an active call and the video is muted	Shutters are open

## LED Status Indicators

The following topics list the LED behavior for your system. The tables list each LED indicator and its associated status.

[LED Status Indicators for the G7500 System](#) on page 15

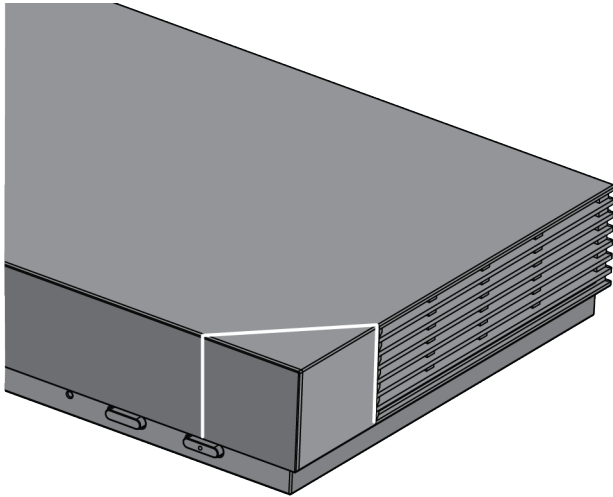
[LED Status Indicators for the Studio X70 System](#) on page 16

[LED Status Indicators for Studio X50 and Studio X30 Systems](#) on page 17

[LED Status Indicators for the Studio E70 Camera](#) on page 17

### LED Status Indicators for the G7500 System

Use the LED on the front right corner of the codec to get information on the state of your system.



### G7500 System LED Status Indicators

Indicator	Status
Blinking white	Powering on
Solid white	Working normally
Solid green	In a call
Blinking amber	Update in progress
Solid amber	Sleeping
Blinking red	Error preventing normal operation
Solid red	Muted microphone

### LED Status Indicators for the Studio X70 System

Use the LED on the right side of the system to help you understand the system's behaviors.

#### Basic Studio X70 LED Indicators and Status

Indicator	Status
Solid white	Device is idle and standing by
Pulsing white	Boot initiation in progress
Pulsing amber	Firmware update or factor restore in progress
Blinking blue and white	Bluetooth pairing
Solid blue	Bluetooth paired
Solid green	Active call in progress
Solid red	Audio mute

## LED Status Indicators for Studio X50 and Studio X30 Systems

The system provides an LED light bar above the camera to help you understand the system's behaviors.

### Basic Studio X50 and Studio X30 LED Indicators and Status

Indicator	Position	Status
Solid white	All	Boot initialization in progress
Blinking blue	Twelve in the middle	Bluetooth in discovery
Solid blue for 3 seconds	All	Bluetooth paired
Blinking green	All	Incoming call
Solid green	All	Outgoing call
Solid green	Four to eight (when in the middle), indicating the tracked speaker or the direction of the camera	<p>Working</p> <p>The lights are green with supported applications in the following cases:</p> <ul style="list-style-type: none"> <li>Tracking people in group framing and speaker tracking mode</li> <li>Indicating the direction of the camera that you customize in pan-tilt-zoom (PTZ) mode</li> </ul>
Solid amber	Twelve in the middle	<p>Standing by</p> <p>System in sleep mode with no active video output</p>
Pulsing red	Twelve in the middle	Call on hold
Pulsing green	Twelve in the middle	Call on hold (by far site)
Solid white for 3 seconds	Twelve in the middle	Saving a preset
Solid red	All	Muted microphone
Solid red	Four in the middle	<p>Muted camera</p> <p>Muted microphone LEDs take precedence over camera mute LEDs</p>
Pulsing amber	All	Firmware update in progress
Blinking red	All	Error preventing normal operation

### LED Status Indicators for the Studio E70 Camera

The camera provides LED indicators on the front and right side of the camera to help you understand the camera's behaviors when connected to a G7500 or a Studio X50 video system.

## Studio E70 Camera System LED Status Indicators

Indicator	Status
Pulsing white	Boot initialization is in progress
Solid white (50% brightness)	Powered on but disconnected from video system Sleep mode
Solid white (100% brightness)	Powered on and connected to the video system
Solid green	In a call or the camera is active
Pulsing amber	Firmware update or factory reset in progress

## Powering the System On and Off

The system powers on when you plug it in to a power source.

**Note:** Poly recommends the following when powering off or restarting your system:

- Don't restart or power off the system during maintenance activities (for example, while a software update is in progress).
- If a system restart is necessary, use the system web interface, RestAPI, Telnet, or SSH. If possible, avoid using the power cable to restart the system.

## Wake the System

After a period of no activity, the system enters sleep mode (if configured by your administrator). You can wake it using a touch monitor or Poly TC8.

### Task

- » Do one of the following:
  - If you're using a touch monitor, tap the primary screen.
  - If you're using the TC8, tap the screen.
  - If you're using a Poly Trio, tap the screen.

## Accessibility Features

Poly products include a number of features to accommodate users with disabilities.

### Users Who Are Deaf or Hard of Hearing

Your system includes accessibility features so that users who are deaf or hard of hearing can use the system.

The following table lists the accessibility features for users who are deaf or hard of hearing.

#### Accessibility Features for Users Who Are Deaf or Hard of Hearing

Accessibility Feature	Description
Visual notifications	Status and icon indicators let you know when you have incoming, outgoing, active, or held calls. Indicators also alert you of the device's status and when features are enabled.
Status indicator lights	The system LEDs to indicate some statuses, including if your microphones are muted.

Accessibility Feature	Description
Adjustable call volume	While in a call, you can raise or lower the volume of the device.
Auto-answering	You can enable the system to auto-answer calls.

### Users Who Are Blind, Have Low Vision, or Have Limited Vision

Your system includes accessibility features so that users who are blind, have low vision, or have limited vision can use the system.

The following table lists the accessibility features for users who are blind, have low vision, or have limited vision.

#### Accessibility Features for Users Who Are Blind, Have Low Vision, or Have Limited Vision

Accessibility Feature	Description
Auto-answering	You can enable the system to auto-answer calls.
Visual notifications	Status and icon indicators let you know when you have incoming, outgoing, active, or held calls. Indicators also alert you of the device's status and when features are enabled.

### Users with Limited Mobility

Your system includes accessibility features so that users with limited mobility can use various system features.

The following table lists the accessibility features for users with limited mobility.

#### Accessibility Features for Users with Limited Mobility

Accessibility Feature	Description
Auto-answering	You can enable the system to auto-answer calls.
Calling from a personal device	With administrator credentials, you can wirelessly access the system web interface from your own device to make calls and manage contacts and favorites.

# Sharing Content

To enhance the collaboration experience, you can share documents, graphics, and videos with other participants using a computer.

## **Share Content Using an HDMI Connection**

Share content from your device through an HDMI connection. This method doesn't require you to connect using a wireless service.

### **Task**

- » Connect your device to the video system's HDMI input port.

# Using Device Mode

Poly Device Mode enables you to use the system's camera, speaker, microphone, and connected monitors from your computer.

Once you connect the system to your computer with a USB cable, you can control the video system's camera and audio features using your computer's third-party conferencing application.

For example, instead of using your computer's camera for Zoom Rooms calls, connect the Studio X30 and use its 4K camera to automatically follow the conversation in the room. You also gain a Poly echo-cancelling microphone and speaker technology during calls.

**Note:** The system doesn't support hot plugging cameras while in Device Mode. If the system is in Device Mode, exit Device Mode before attaching a camera to the system.

## Computer and Cable Requirements for Device Mode

Your computer and cables must meet the following requirements to use Device Mode.

Operating system requirements:

- Windows 10 1803 or later
- macOS 10.12 or later

USB cable requirements:

- A cable with at least one USB-C connection for the video system
- USB 2.0 or USB 3.0 cable (preferred to ensure connection reliability and video and audio quality)
- Self-powered USB booster extension cable for connections longer than 2 m (6.6 ft)

**Note:** Don't use a cable used for charging devices. A charging cable may not be capable of sending data.

HDMI cable requirements:

- An HDMI adapter is required if your computer doesn't have an HDMI port


## Access Device Mode

Use the system touchscreen or a TC8 device to start Device Mode.

**Note:** Your administrator may configure your system to remain in Device Mode. If your system is already in Device Mode, the system monitor and TC8 device prompt you to connect a USB and HDMI cable to your computer.

### Task

» Do one of the following:

- From the right border of your screen, swipe left. Select **Device Mode** .
- When using Zoom Rooms, connect the USB-C cable to the video system and connect the other end of the USB cable to your computer to automatically enter Device Mode.

The **Device Mode** screen appears.

## Use Your System as a Computer Accessory

To use the video system as an external camera and audio accessory, set your system to Device Mode and connect your Windows or macOS computer with a USB cable.

If your system isn't already in Device Mode, access **Device Mode**. If your conferencing application uses echo cancellation, disable that feature.

You must use a cable with at least one USB-C connection for your video system. If you use a cable with only one USB-C connection, the USB-C end must connect to your video system for Device Mode to work properly.

**Note:** Device Mode isn't available if your system administrator disables the system USB ports. If you need help with Device Mode or connecting a computer to your system, contact your administrator.

### Task

- 1 Connect a USB-C end of the USB cable to the video system's USB-C port, and connect the other end of the USB cable to your computer.  
The system monitor and the TC8 device display a confirmation message.  
If you're using Microsoft Teams or Zoom Rooms, Device Mode automatically starts when you connect the USB cable to your computer. Once you disconnect the USB cable, the system automatically exits Device Mode in 20 to 30 seconds.
- 2 Optional: To display your computer on the video system monitor, connect your computer using the system's HDMI input port.


## Adjust the System Audio and Camera Settings in Device Mode

In Device Mode, you can mute the system, adjust the volume, and adjust camera settings.

Access **Device Mode** and connect your computer to the system.

**Note:** The controls on a connected Poly Trio phone don't work if the system is in Device Mode.

### Task


- 1 To mute the microphones, do one of the following:
    - In a conference application on your computer, select mute.
    - On the TC8 or any connected microphone, select **Mute** .
  - 2 To adjust the volume, do one of the following:
    - On the touchscreen or TC8, select **Volume** and adjust the volume slider.
    - Adjust the volume from your computer using the computer or conference application settings.
- Note:** Ensure that you select the correct device when adjusting the volume. Changing the volume alone may not work. You must have selected the Poly video system as the audio device.
- 3 To configure camera settings:
    - A From the right border of the TC8 or the touchscreen, swipe left and select **Camera Settings**.
    - B Select **Camera Control**.
      - Turn **Camera Tracking** on or off.
      - Select or set a **Preset**.
      - Press + to zoom in or - to zoom out.
      - Press the arrows to tilt up and down or to pan left to right.

## Managing Incoming Calls When in Device Mode

If there's an incoming call, your video system may exit Device Mode. This depends on the partner conferencing application you're using for the video system.


## Exit Device Mode and Disconnect Your Computer

Any camera options you change on the video system with your USB-connected computer revert to their previous settings when you exit Device Mode.

**Note:** If the system is using Device Mode as the provider, **Exit**  isn't available.

### Task

- » Do one of the following:

- On the video system local interface or TC8 device (if you've one), select **Exit** .
- Unplug the cables connecting your computer and video system. After a short delay, you see the home screen (even if you haven't selected **Exit**).

# Settings

Before or during calls, you can adjust the system volume. During calls, you can adjust your camera's position.

## Cameras

Depending on the camera type, you can control the following options:

- Adjust near-site (local) camera positions.
- Turn tracking on or off.

### Adjust an In-Room Camera

To enhance the view of meeting participants, make adjustments to the in-room camera.

If camera tracking is on, camera control is unavailable. Turn tracking off to access camera controls.

You can only make camera adjustments during a call.

With the Studio X50 and Studio X30 systems, you can't pan or tilt the camera if it's zoomed all the way out.



#### Task

- 1 From the right border of your screen, swipe left.
- 2 Go to **Camera Settings > Camera Controls**.
- 3 Press **+** to zoom in or **-** to zoom out. Press the arrows to tilt up and down or to pan left to right.
- 4 To exit the control screen, select **Back** ←.

### Turn Camera Tracking On or Off

When camera tracking is on, the camera automatically frames the group of people in the room or the current speaker (depending on your camera and how your system is configured).

#### Task

- 1 From the right border of your screen, swipe left.
- 2 Select **Camera Settings**.
- 3 Select **Tracking On**  or **Tracking Off** .

## Audio Adjustments

You can control several audio settings on the system.

### Adjust the Volume

You can adjust the volume before or during a call.

#### Task

- » Use the volume slider on the device controlling your video system.

# Troubleshooting

This section includes information related to troubleshooting issues with your system. You can also find information on pairing your remote, configuring your monitors, and where to find help tips.

## Poly Device Mode

Use these topics to troubleshoot problems you may encounter using Device Mode.

### Audio Levels are Too High or Low

In Device Mode, audio from the video system speakers is too loud or it's difficult to hear call participants.

In Device Mode, your conferencing application and laptop control the video system's audio. You may need to adjust those volume controls.

Follow these steps until you get the audio levels you want:

#### Task

- 1 Adjust your conferencing application's volume.
- 2 Adjust your laptop's volume.

### Conferencing Application Doesn't Use System Camera or Audio

Your conferencing application isn't using the video system's camera or audio in Device Mode.

Your conferencing application by default may choose the connected monitor speakers instead of, for example, the Studio X50 speakers.

#### Task

- » In your conferencing application, select the video system as your speaker, microphone, and camera device.

### Can't Use System's Camera or Audio

Your conferencing application isn't using the video system's camera or audio in Device Mode. There could be a few reasons for these types of problems. For instance, your conferencing application by default may choose the connected monitor speakers instead of, for example, the Studio X50 speakers.

You may notice the following while using Device Mode:

- In your laptop's conferencing application, you can't select the video system as a camera or audio source.
- The video system's camera and audio seem unavailable.
- The video system's camera doesn't display live video.

Follow these steps until you fix your problem:

#### Task

- 1 In your conferencing application, select the video system as your speaker, microphone, and camera device.
- 2 In your laptop settings, select the video system as your speaker, microphone, and camera device.
- 3 Exit and restart Device Mode.
- 4 Replug the USB cable.
- 5 Connect the cable to a different USB port on your laptop.
- 6 Try using a different USB cable.
- 7 Restart your laptop.

### Improve Audio Quality

Audio quality during calls in Device Mode could be better. For example, people on the call notice interference or dropped words when you're speaking.

You may encounter these problems for the following reasons: additional USB connections, a bad cable, or audio processing settings.

Follow these steps until your audio quality improves:

**Task**

- 1 Remove USB audio devices (such as a headset) connected to your laptop.
- 2 Connect your laptop and video system with a different USB cable.
- 3 If your conferencing application uses echo cancellation, disable that feature.
- 4 If you're playing a musical instrument, enable M-Mode in the system web interface.

**Improve Laptop Screen Mirroring**

When mirroring your laptop screen with an HDMI connection, the picture on the connected monitor isn't ideal.

The resolution on your laptop may need to be adjusted for the monitor connected to the Poly video system.

Follow these steps until screen mirroring quality improves:

**Task**

- 1 Adjust your laptop's resolution settings.
- 2 Adjust your laptop's display settings so the screen duplicates on the monitor.