



Disassembly of Waste Electrical and Electronic Equipment (WEEE) Manual

EU Waste Electronic and Electrical Equipment Directive require producers to provide information of the different electronic and electrical materials and components found in their products at its end-of-life, and disassembly references to treatment and recycling facilities.

The disassembly information for this product has been prepared for use by a recognized treatment or recycling facility and is not intended to be used by others.

1. Product information
2. Materials and components list for selective treatment
3. Disassembly tools
4. Disassembly references

The following information is intended only for the use of treatment and recycling facilities.

1. Product information

Model name(s)—Indicate all model name(s) within the product family

Model name
Lexmark MS32x series – Lexmark MS321dn, Lexmark B2338dw
Lexmark MS42x series – Lexmark MS421dn, Lexmark MS421dw, Lexmark B2442dw, Lexmark M1242
Lexmark MS52x series – Lexmark MS521dn, Lexmark B2546dn, Lexmark M1246
Lexmark MS62x series – Lexmark MS621dn, Lexmark MS621dw, Lexmark B2650dn, Lexmark M3250

* Add rows as needed

2. Materials and components list for selective treatment

Items	Quantity	Notes
Polychlorinated biphenyls (PCB) containing capacitors	0	N/A
Mercury containing components, such as switches or backlighting lamps	0	N/A
Batteries	1	Lithium Manganese Dioxide coin cell located on the Controller card
Printed circuit boards greater than 10 cm ²	multiple	6 – MS32x, MS42x and MS52x series 5 – MS62x series For details, see Annex B Options: 1 – Hard disk drive 1 – 250 Sheet Tray 1 – 550 Sheet Tray
Toner cartridges, liquid and pasty, as well as colour toner	2	1 – Toner cartridge 1 – Imaging unit
Plastic containing brominated flame retardants	multiple	16 – MS32x, MS42x, MS52x and MS62x +4 for each Option sheet tray For details, See Annex A
Asbestos waste and components which contain asbestos	0	N/A
Cathode ray tubes	0	N/A
Chlorofluorocarbons (CFC), Hydrochlorofluorocarbons (HCFC) or Hydrofluorocarbons (HFC), Hydrocarbons (HC)	0	N/A
Gas discharge lamps	0	N/A
Liquid Crystal Display (LCD) greater than 100 cm ² and those back-lighted with Gas discharge lamps	0	N/A
External electrical cables	1	Power cord located on the back lower left quadrant
Components containing refractory fibres	0	N/A
Components containing radioactive substances	0	N/A
Electrolyte capacitors containing substances of concern (<i>capacitors with height > 25 mm, diameter > 25 mm or proportionately similar volume</i>)	1	Capacitor located on Power Supply
Electrical and Electronic (EE) Customer Replaceable Paper handling devices	2	For details, see Annex C
Electrical and Electronic (EE) Customer Replaceable Internal/External Card options	multiple	For details, see Annex D

3. Disassembly tools

Item
#2 Phillips screwdriver, magnetic
Wire cutter
E-clip puller or small flat-head screwdriver
Standard slotted head screwdriver

4. Disassembly references

4.1. Removal procedure(s)

WEEE materials and components removal procedures are available upon request.

Contact: recycling@lexmark.com

4.2. Graphical illustration of material's and component's location

1

LCD >100 cm² are identified with cyan-filled boxes

2

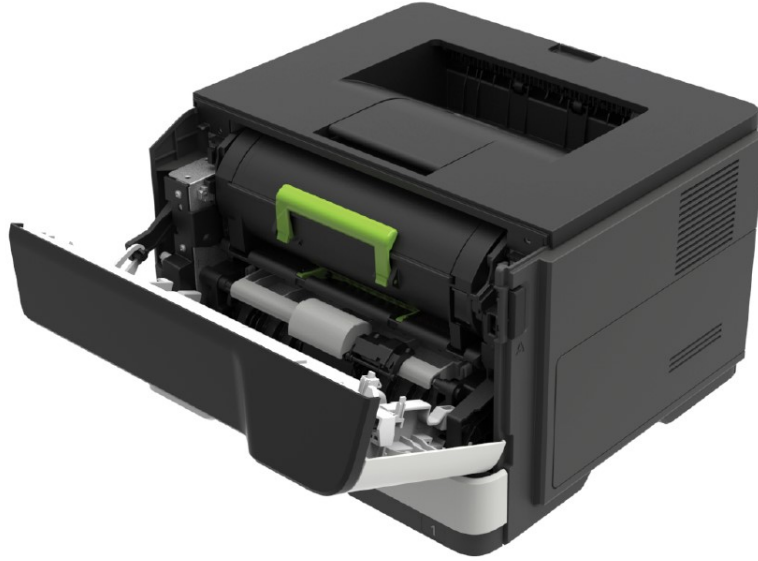
PCBs >10 cm² are identified with green-filled boxes

3

Printer components containing Brominated flame retardants are identified with orange-filled boxes

**MS32x, MS42x, MS52x, MS62x Series
Location**

Toner Cartridge



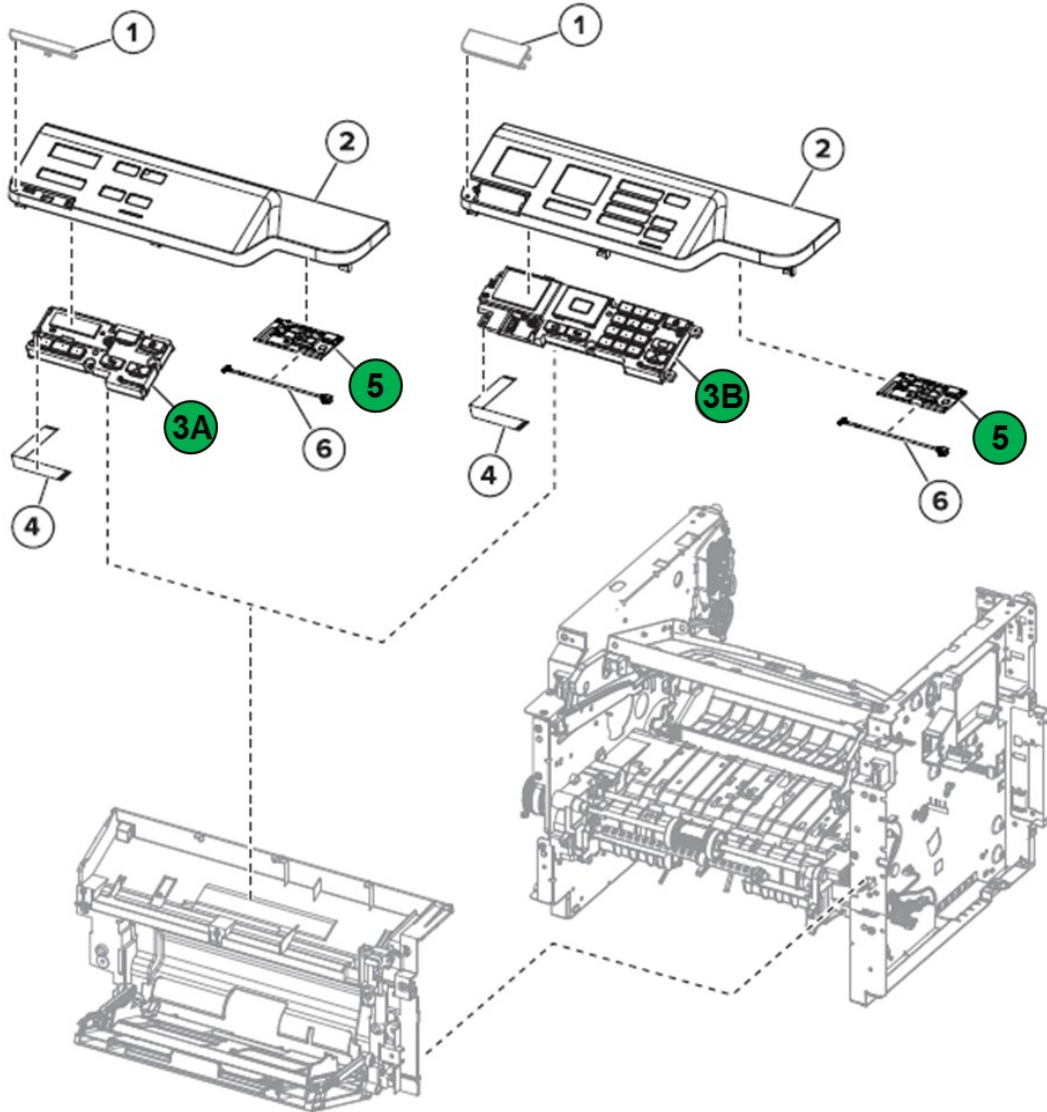
Imaging Unit



MS32x, MS42x, MS52x, MS62x Series
Location

Printed Circuit Boards >10cm² and Brominated Plastic Components

MS32x, MS42x, MS52x Control Panel

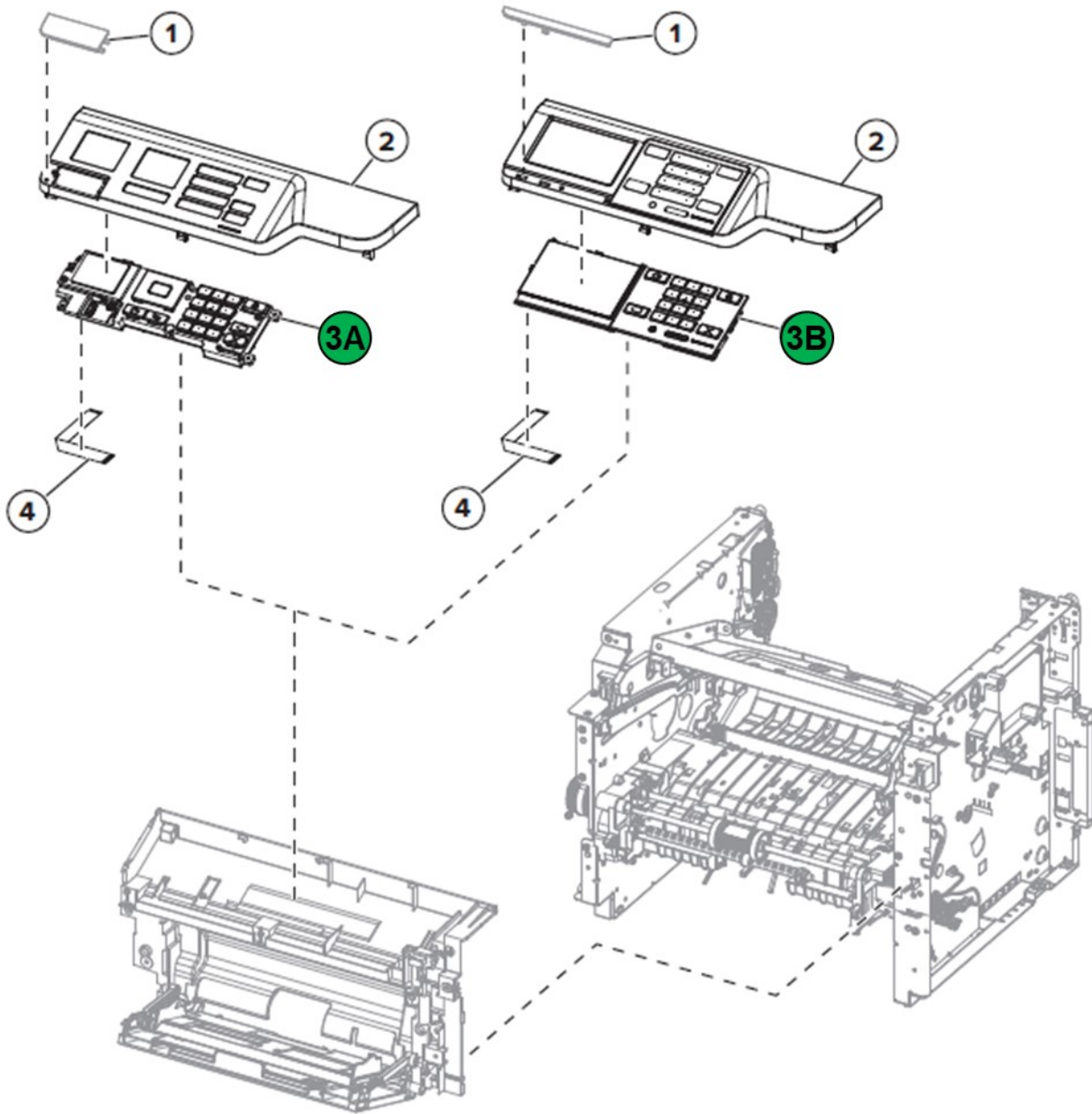


Index	Description
3A	Control panel display assembly (MS321, MS421) UICC card
3B	Control panel display assembly (MS521) UICC card
5	Wireless module card

MS32x, MS42x, MS52x, MS62x Series
Location

Printed Circuit Boards >10cm² and Brominated Plastic Components

MS62x Control Panel

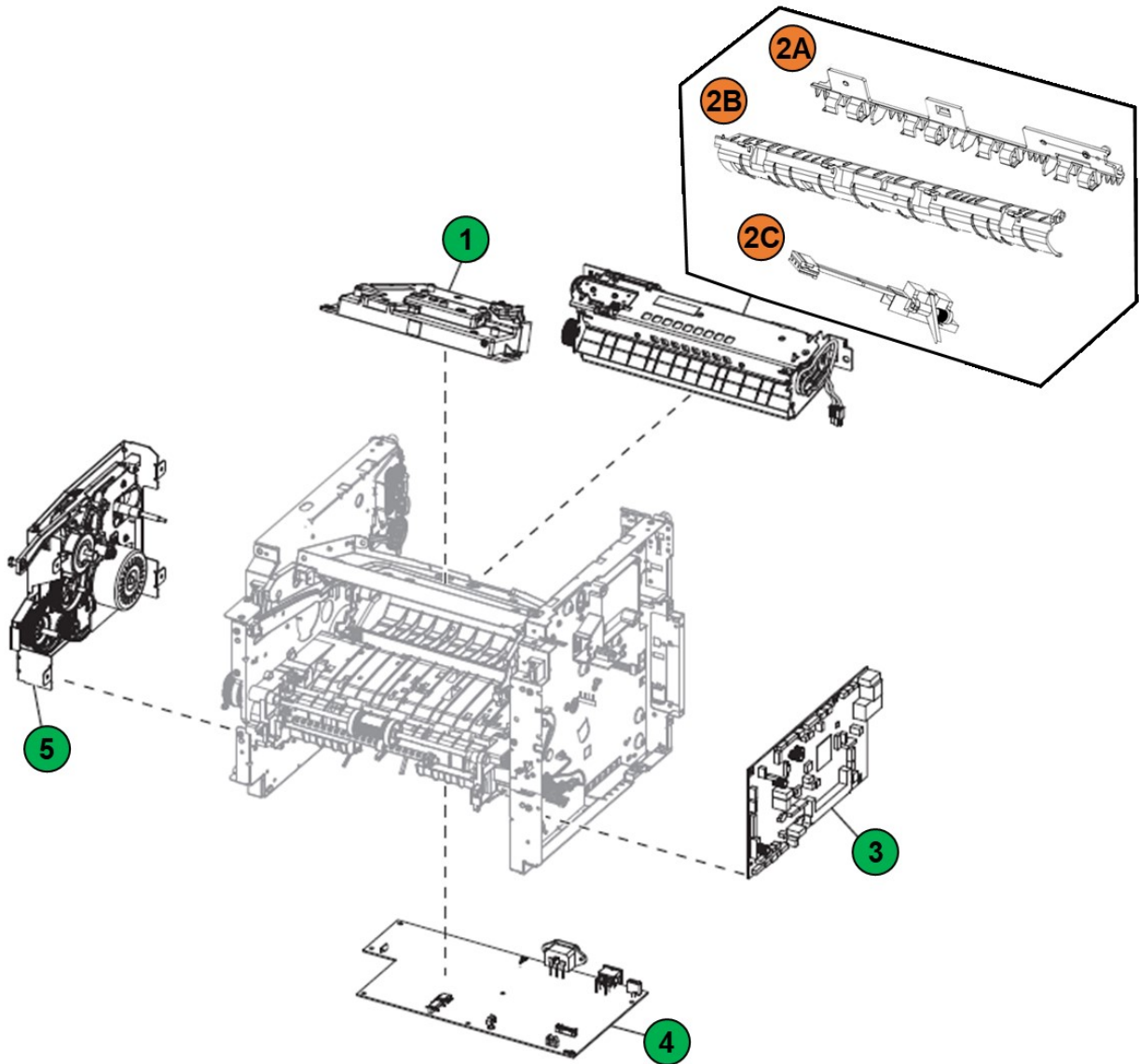


Index	Description
3A	Control panel display assembly (MS621) UICC card
3B	Control panel display assembly (MS622) UICC card

MS32x, MS42x, MS52x, MS62x Series
Location

Printed Circuit Boards >10cm² and Brominated Plastic Components

Electronics 1

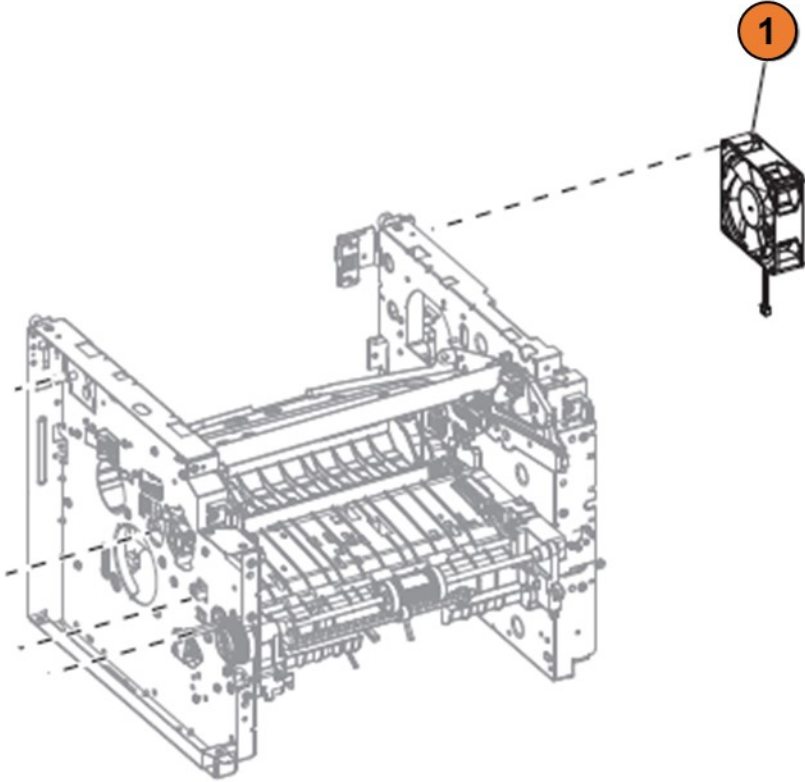


Index	Description
1	Printhead card
2A	Fuser – Guide - Lower Exit
2B	Fuser – Guide - Upper Exit
2C	Fuser – Passthru sensor/ Fuser exit sensor
3	Controller board
4	Power supply
5	Main drive gearbox BLDC motor board

**MS32x, MS42x, MS52x, MS62x Series
Location**

Printed Circuit Boards >10cm² and Brominated Plastic Components

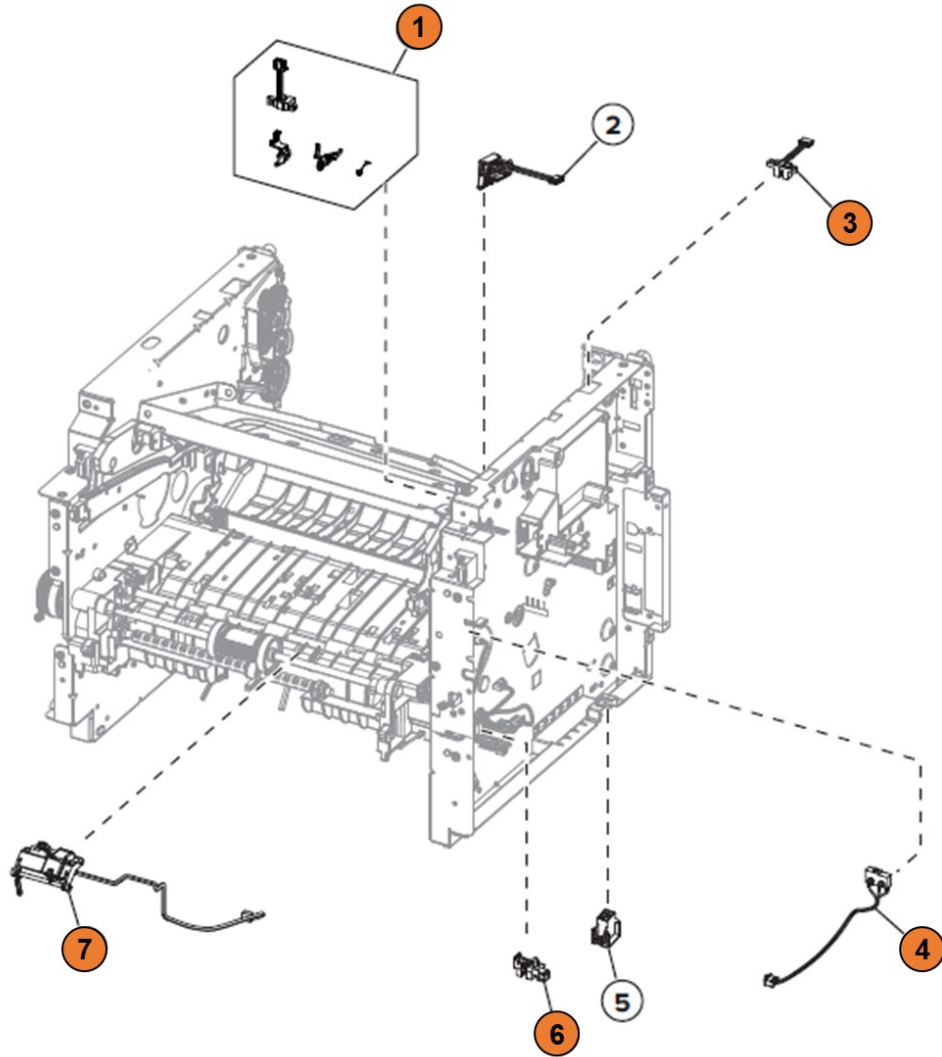
Electronics 2



Index	Description
1	Cooling fan

MS32x, MS42x, MS52x, MS62x Series
Location

Electronics 3

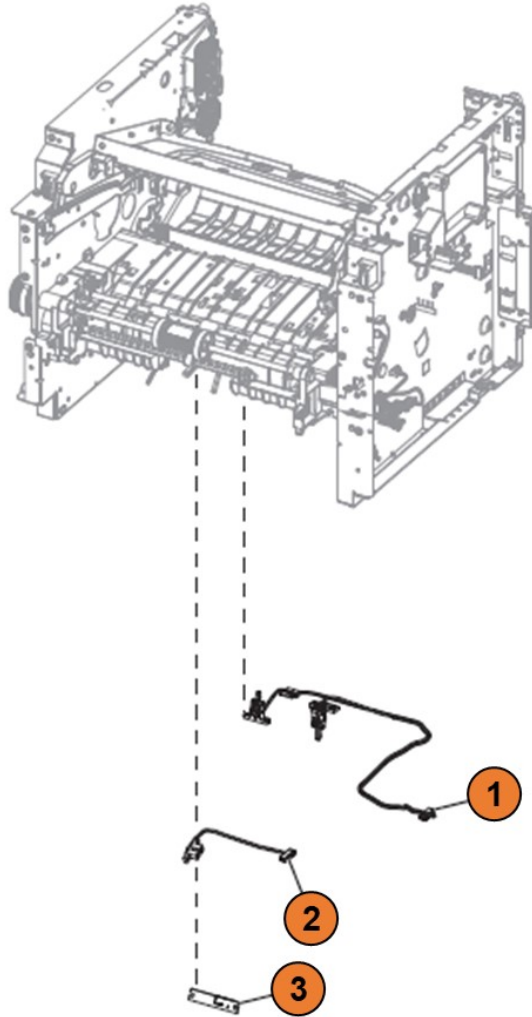


Index	Description
1	Cartridge barrel sensor kit
3	Sensor (bin full)
4	Sensor (front door)
6	Sensor (tray present)
7	Sensor (MPF paper present)

**MS32x, MS42x, MS52x, MS62x Series
Location**

Printed Circuit Boards >10cm² and Brominated Plastic Components

MS32x, MS42x, MS52x Electronics 4

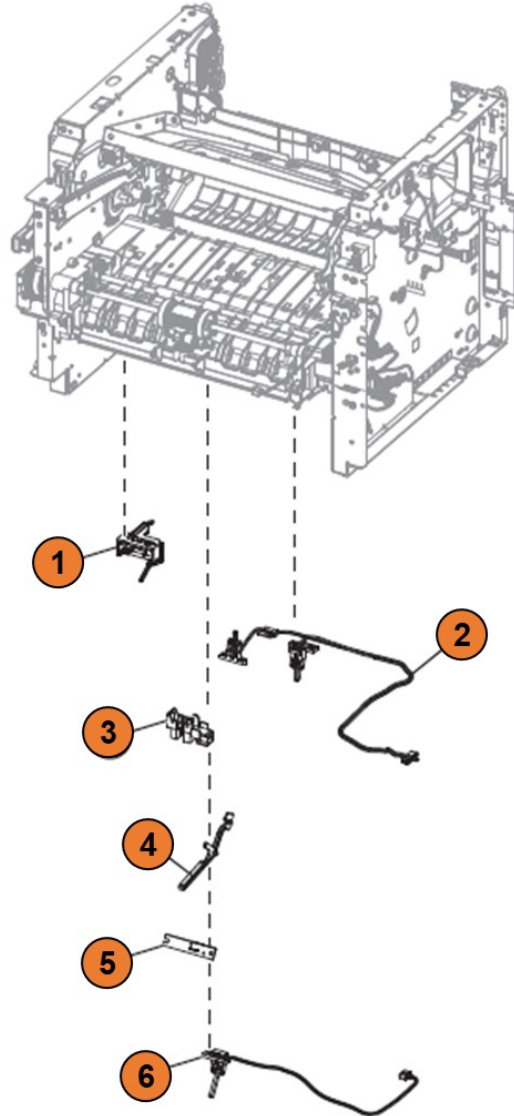


Index	Description
1	Sensor (duplex and input)
2	Sensor (trailing edge)
3	Sensor (toner density)

MS32x, MS42x, MS52x, MS62x Series
Location

Printed Circuit Boards >10cm² and Brominated Plastic Components

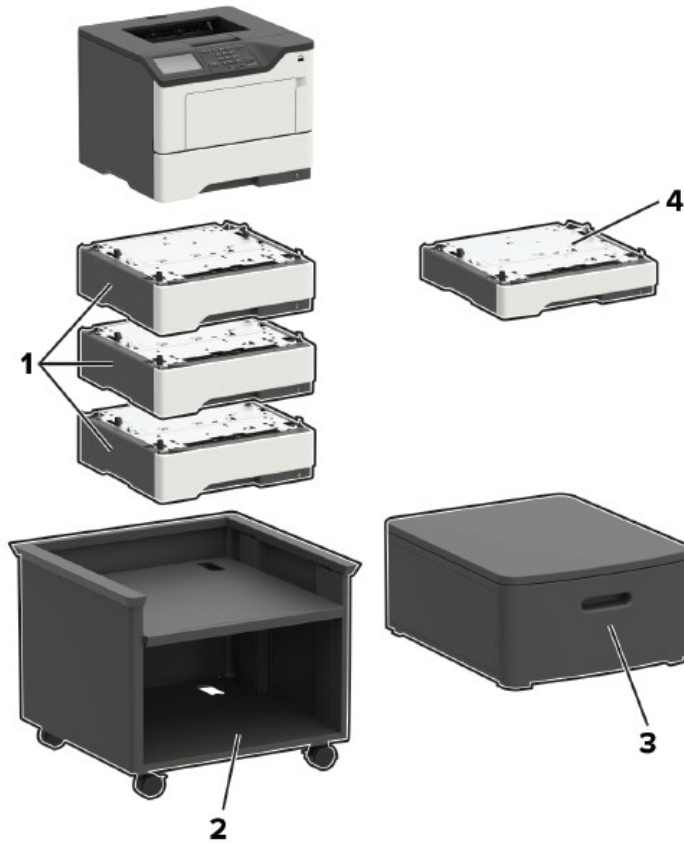
MS62x Electronics 4



Index	Description
1	Sensor (trailing edge)
2	Sensor (duplex and input)
3	Sensor (paper present)
4	Paper present sensor flag
5	Sensor (toner density)
6	Sensor (index)

**MS32x, MS42x, MS52x, MS62x Series
Location**

Customer Replaceable Paper handling devices



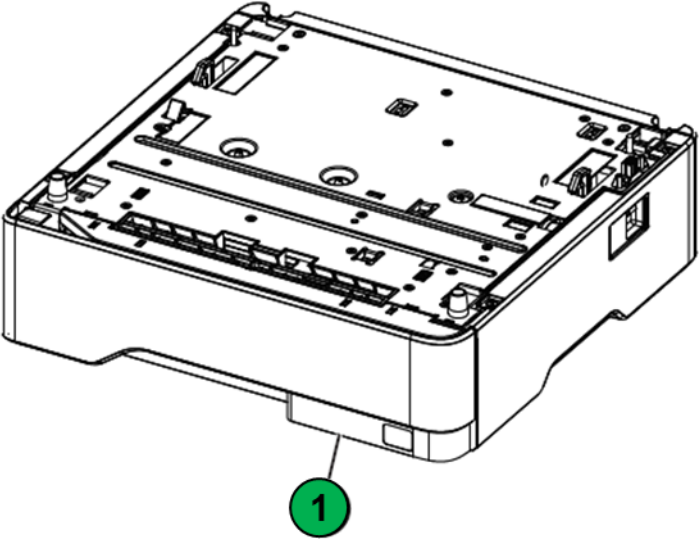
Index	Description
1	550-sheet tray
2	Adjustable printer stand*
3	Swivel cabinet*
4	250-sheet tray

Options marked with (*) are non-Electrical and electronic units

**MS32x, MS42x, MS52x, MS62x Series
Location**

Printed Circuit Boards >10cm² and Brominated Plastic Components

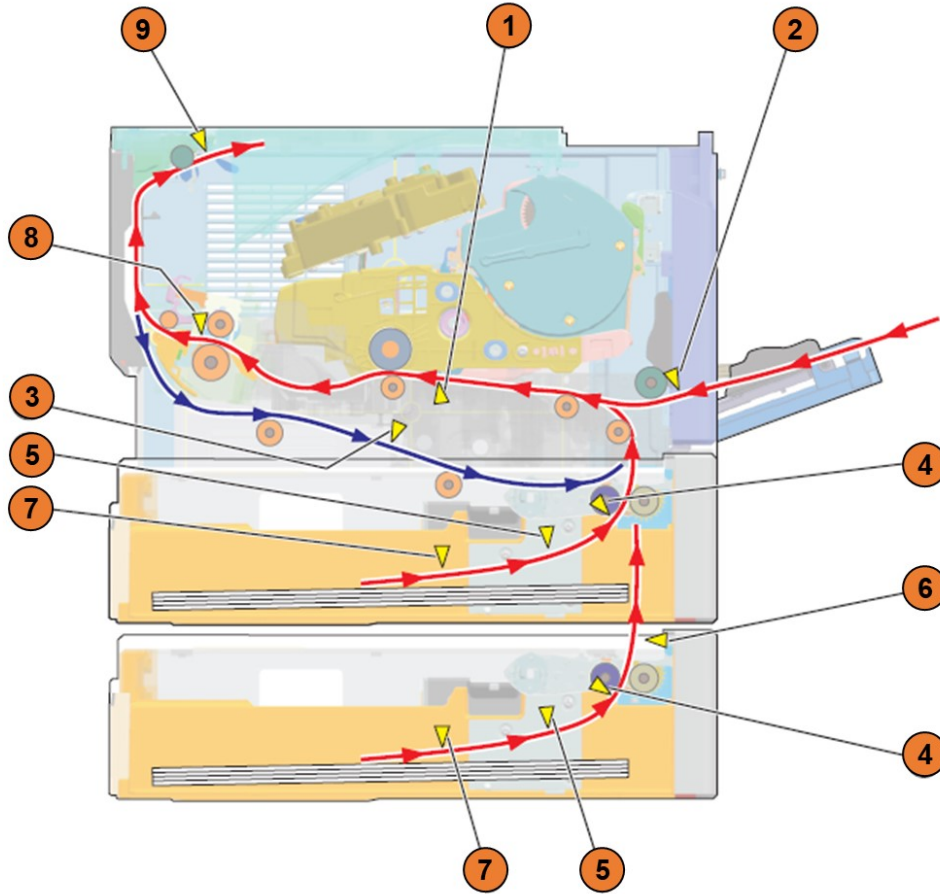
250 / 550 Paper Handling Options



Index	Description
1	PHO card within the assembly

**MS32x, MS42x, MS52x, MS62x Series
Location**

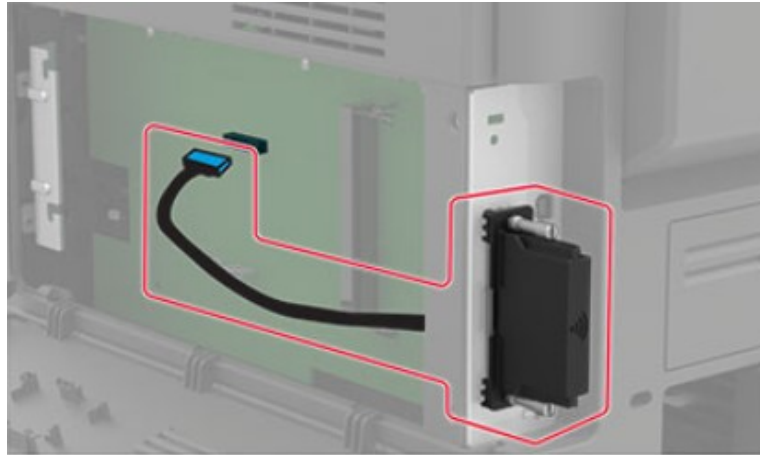
Sensors



Index	Description
1	Sensor (input)
2	Sensor (MPF paper present)
3	Sensor (duplex)
4	Sensor (index)
5	Sensor (trailing edge)
6	Sensor (pass-through)
7	Sensor (media present)
8	Sensor (fuser exit)
9	Sensor (narrow media/bin full)

**MS32x, MS42x, MS52x, MS62x Series
Location**

Customer Replaceable External Card Options



External Print Servers¹

Note 1: Illustration shows actual options and their typical locations and mounting at the rear side of the printer. However, this does not show the actual printer model.

**MS32x, MS42x, MS52x, MS62x Series
Location**

Annex A – Printer components with Brominated Flame Retardants

Index	Description	Parts Marking	MS32x, MS42x, MS52x Qty	MS62x Qty	Location
1	Fuser – Guide - Lower Exit	PET-(GF+MD)40 FR(17)	1	1	Fuser
2	Fuser – Guide - Upper Exit	PET-(GF+MD)40 FR(17)	1	1	Fuser
3	Fuser – Passthru sensor/ Fuser exit sensor	PET-(GF+MD)40 FR(17)	1	1	Fuser
4	Cooling fan	N/A	1	1	Electronics 2
5	Cartridge barrel sensor kit	N/A	1	1	Electronics 3
6	Sensor (bin full)	N/A	1	1	Electronics 3
7	Sensor (front door)	N/A	1	1	Electronics 3
8	Sensor (tray present)	N/A	1	1	Electronics 3
9	Sensor (MPF paper present)	N/A	1	1	Electronics 3
10	Sensor (duplex and input)	N/A	1	1	Electronics 4
11	Sensor (trailing edge)	N/A	1	2	Electronics 4
12	Sensor (toner density)	N/A	1	1	Electronics 4
13	Sensor (paper present)	N/A	1	2	Electronics 4
14	Paper present sensor flag	N/A	1	1	Electronics 4
15	Sensor (index)	N/A	1	2	Electronics 4
16	Sensor (pass-through)	N/A	1	2	Electronics 4

**MS32x, MS42x, MS52x, MS62x Series
Location**

Annex B – Printed Circuit Boards >10cm²

Index	Description	Quantity	Location	MS32x, MS42x, MS52x	MS62x
1	Control panel display assembly (MS321, MS421) UICC card	1	Control panel	X	
	Control panel display assembly (MS521) UICC card	1	Control panel	X	
	Control panel display assembly (MS621) UICC card	1	Control panel		X
	Control panel display assembly (MS622) UICC card	1	Control panel		X
2	Wireless module card	1	Control panel	X	
3	Controller board	1	Electronics 1	X	X
4	Power supply	1	Electronics 1	X	X
5	Main drive gearbox BLDC motor board	1	Electronics 1	X	X
6	Hard disk drive (HDD)	1	Controller card		X
7	PHO card within the assembly	1	250 / 550 Paper Handling Options	X	X

Annex C – Electrical and Electronic (EE) Customer Replaceable Paper handling devices

Index	PN	Description	Locations	Models
1	36S3110	550-sheet tray	Paper handling devices	All models
2	36S3120	550-sheet lockable tray		
3	36S2910	250-sheet tray		
4	36S2920	250-sheet lockable tray		

**MS32x, MS42x, MS52x, MS62x Series
Location**

Annex D – Electrical and Electronic (EE) Customer Replaceable Internal/ External Card Options

Index	PN	Description	Locations	Models
1	57X9801	Memory options	Attached to Controller board	All models
2	57X0185	Security card		MS622
3	40C9200 40C9201 40C9202	Firmware cards (Forms and Bar code, Prescribe, IPDS)		MS521 and above
4	57X9810 57X9812 57X9814 57X9815	Font cards		All models
5	27X0900 27X0901 27X2000 27X0912	Interface cards		MS521, MS62x
6	27X6410 27X6510	Print Server		External option