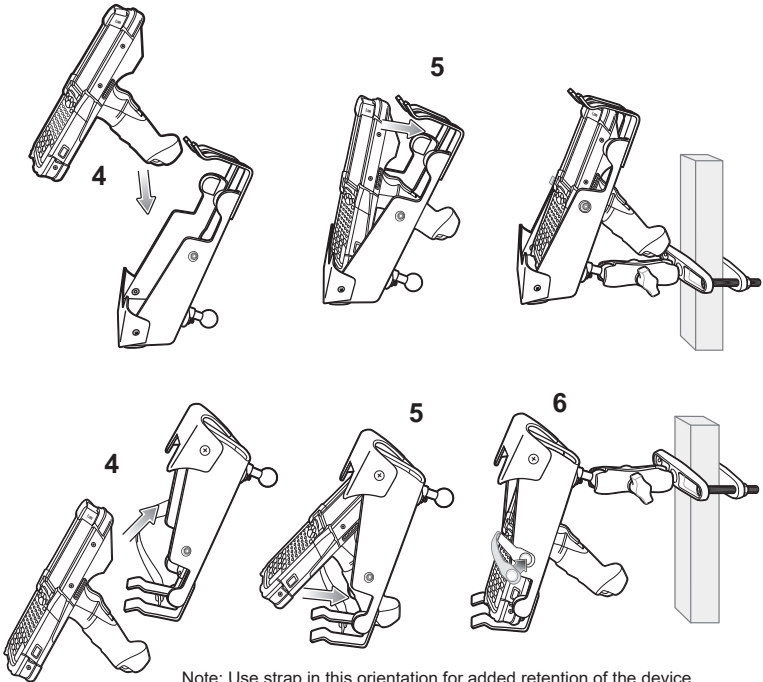
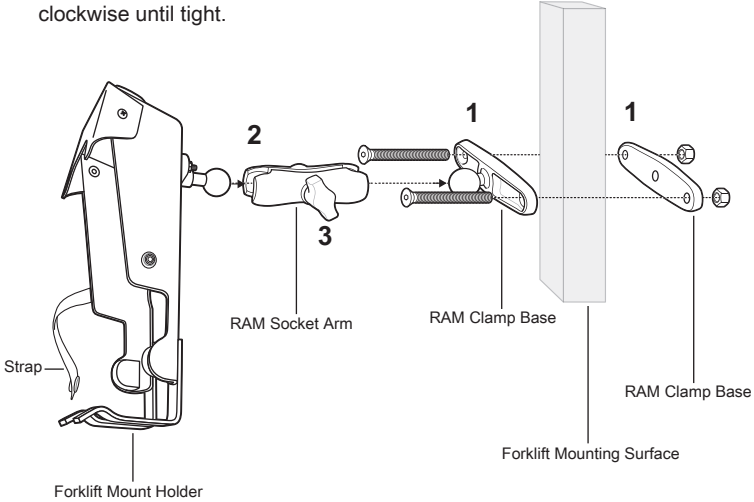


# MC93XX Un-Powered Forklift Mount Installation Guide



1. Secure RAM Clamp Base to forklift mounting surface using two screws and nuts.
2. Attach RAM Socket Arm to RAM Clamp Base and Forklift Mount Holder.
3. Turn the Socket Arm hand-screw clockwise until tight.
4. Insert device in Forklift Mount Holder at a 45° angle in one of two ways (shown below).
5. Rotate and snap device into place.
6. If required, secure device with rubber strap and snap into place.



Note: Use strap in this orientation for added retention of the device.

ZEBRA and the stylized Zebra head are trademarks of Zebra Technologies Corporation, registered in many jurisdictions worldwide. All other trademarks are the property of their respective owners. ©2019 Zebra Technologies Corporation and/or its affiliates. All rights reserved.

