

Configuration Installation Guide

Bookshelf Configuration

This document provides important information for installing and removing the bookshelf configuration.

Install the bookshelf configuration

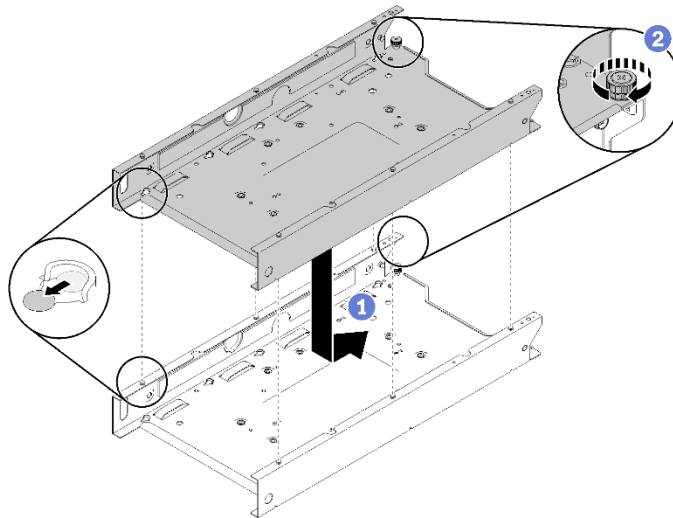
To install the bookshelf configuration, complete the following steps.

Note: Reserve 500 mm empty space in front of the node so that you can have sufficient space to install and remove the node.

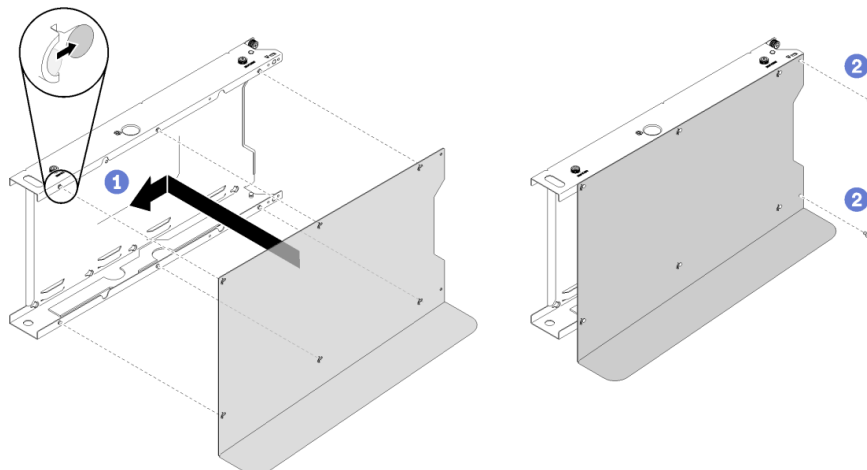
1. If you would like to stack your nodes, complete the following steps.

- ❶ Hook the six T-pins into place and slide the node sleeve backward.
- ❷ Fasten the thumbscrew.
- ❸ Repeat step ❶ and step ❷ to stack your node sleeves.

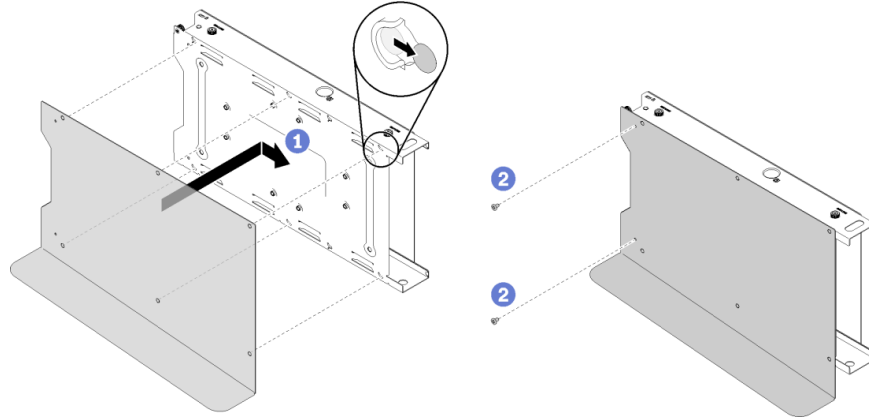
Note: Bookshelf supports up to three node stacks.



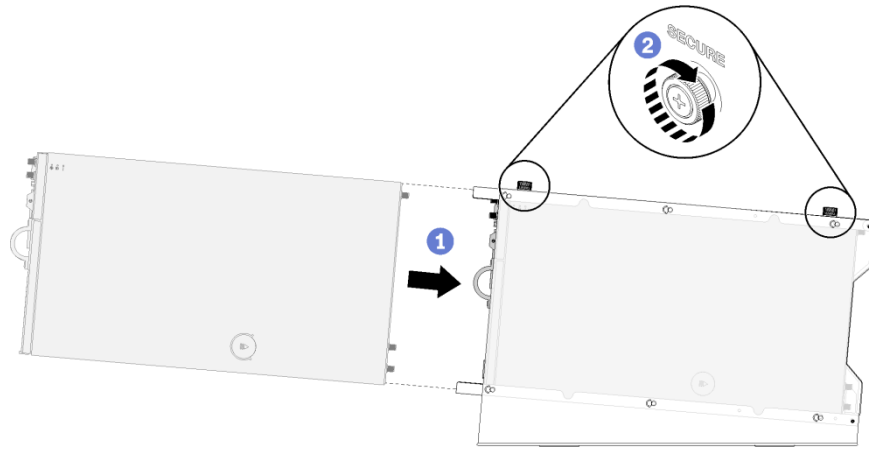
2. Align the right bookshelf with the node sleeve and slightly push the bookshelf leftward to hook the six T-pins into place; then, fasten the two screws.



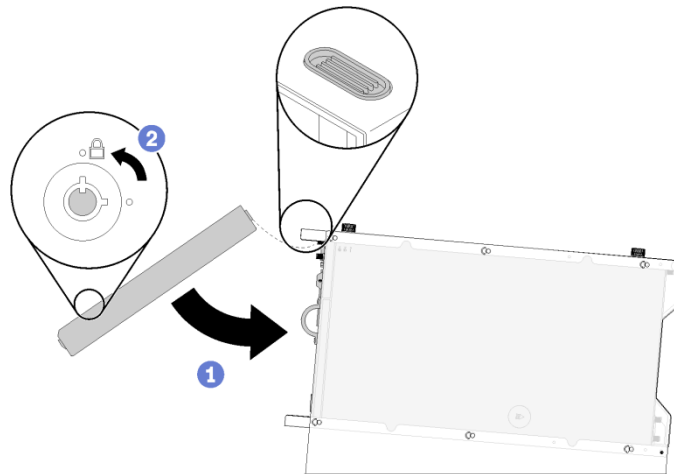
- 3.** Align the left bookshelf with the node sleeve and slightly push the bookshelf rightward to hook the six T-pins into place; then, fasten the two screws.



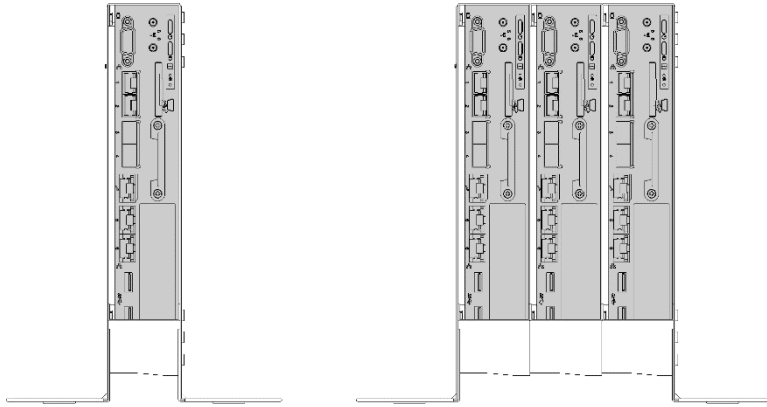
- 4.** Align the node with the node sleeve and slide the node into place; then, fasten the two thumbscrews. Repeat the steps if you have more nodes to install.



- 5.** Carefully insert the tab on the security bezel into the slot; then, pivot the security bezel inward until the other side clicks into place.
- 6.** Use the key to lock the security bezel.
- 7.** Repeat the step 5 and step 6 if you have more security bezels to install.



8. If you need to install the lock position switch, please refer to the *Maintenance Manual*. Otherwise, carefully place your machines as the following illustration.

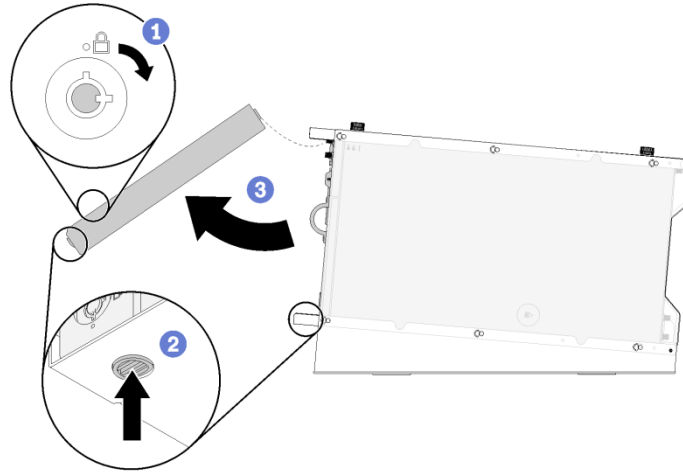


Remove the bookshelf configuration

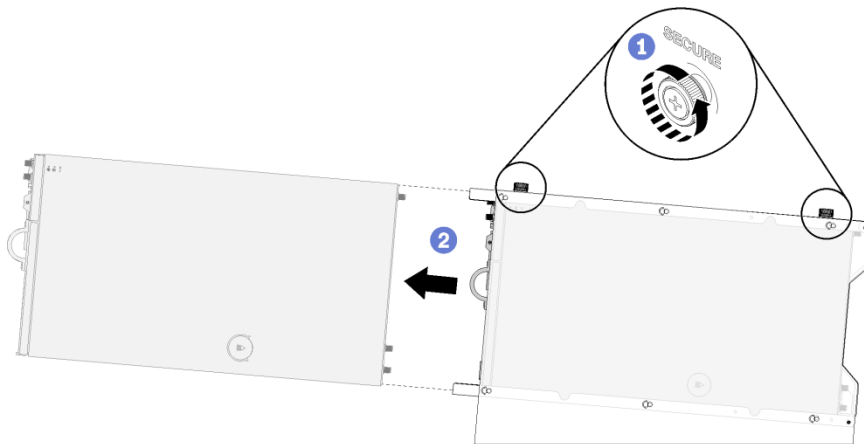
To remove the bookshelf configuration, complete the following steps.

Note: Reserve 500 mm empty space in front of the node so that you can have sufficient space to install and remove the node.

1. Use the key to unlock the security bezel.
2. Press the release tab and pivot the security bezel outward to remove it from the node sleeve.
3. Repeat the step 1 and step 2 if you have more security bezels to remove.

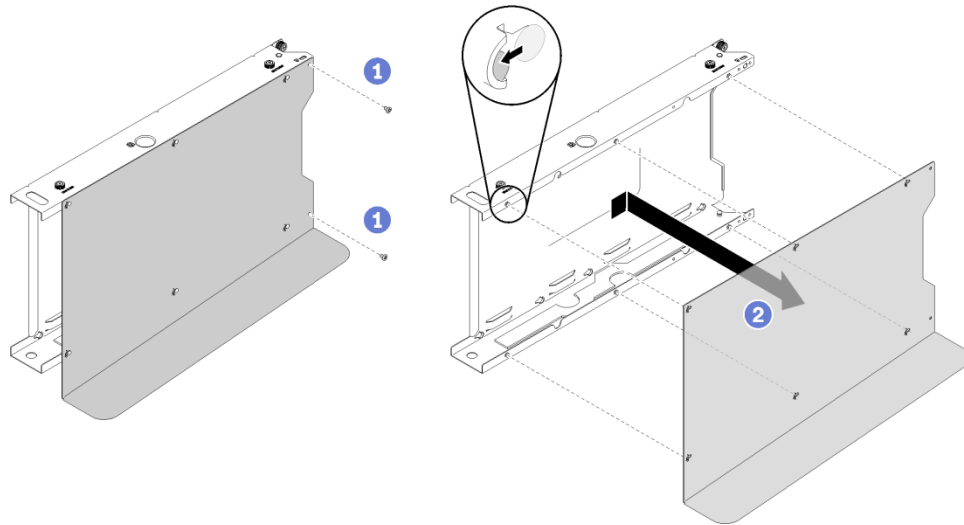


4. Loosen the two thumbscrews and slide the node out of the node sleeve. Repeat the step if you have more nodes to remove.



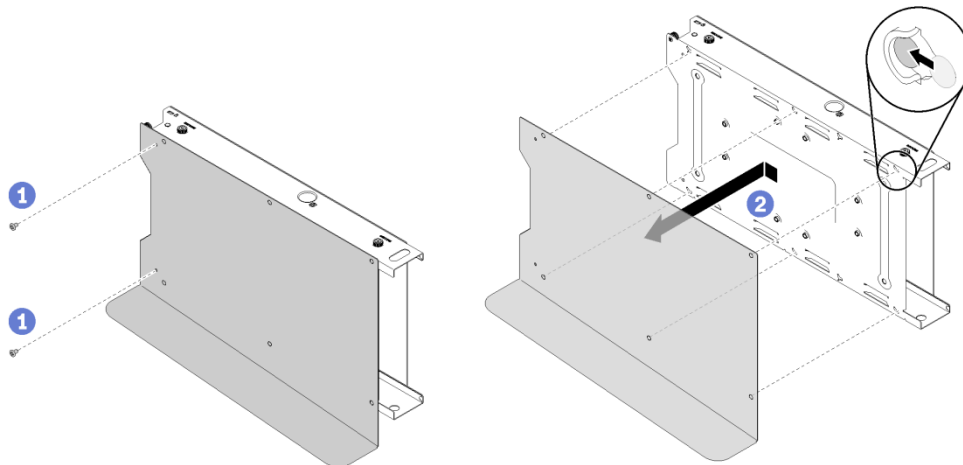
5. Remove the two screws.

6. Slightly push the right bookshelf rightward to unhook the six T-pins; then, remove the right bookshelf.



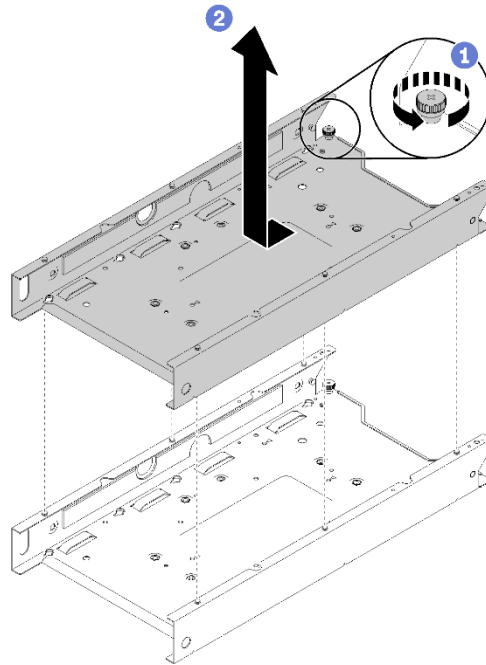
7. Remove the two screws.

8. Slightly push the left bookshelf leftward to unhook the six T-pins; then, remove the left bookshelf.



9. Remove the node sleeve if necessary.

- 1** Loosen the thumbscrew and slide the node sleeve forward to unhook the six T-pins; then, remove the node sleeve.



- 2** Repeat the step **1** if you have more node sleeves to remove.

DIN Rail Configuration

This document provides important information for installing and removing the DIN rail configuration.

Install the DIN rail configuration

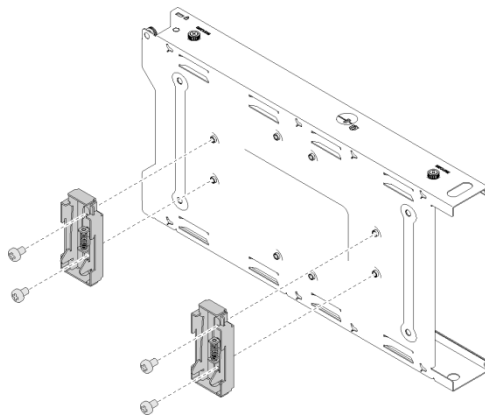
To install the DIN rail configuration, complete the following steps.

Note: Reserve 500 mm empty space in front of the node so that you can have sufficient space to install and remove the node.

1. Install the two DIN rail clips to the power adapter bracket or the node sleeve depending on your configuration.

- If you are installing the node sleeve without the power adapter bracket, complete the following steps.

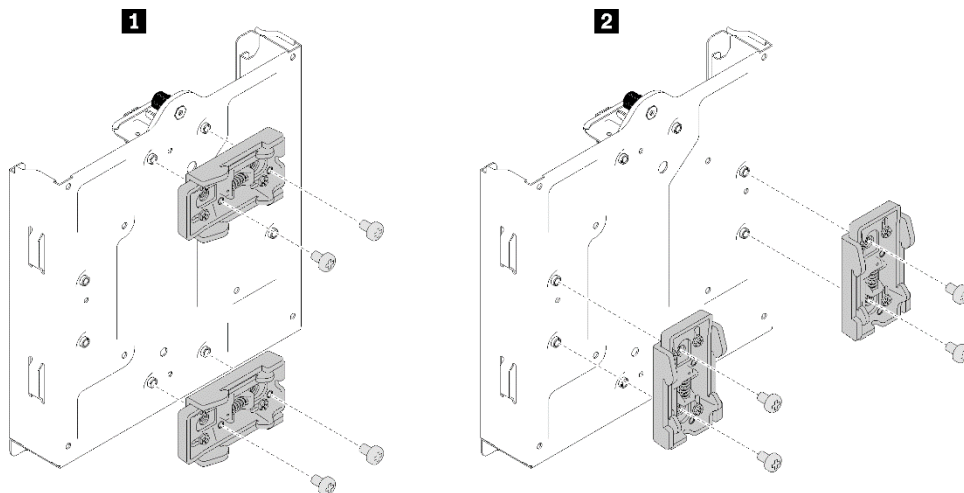
- 1 Align the two DIN rail clips with the node sleeve.
- 2 Insert and tighten the four screws.



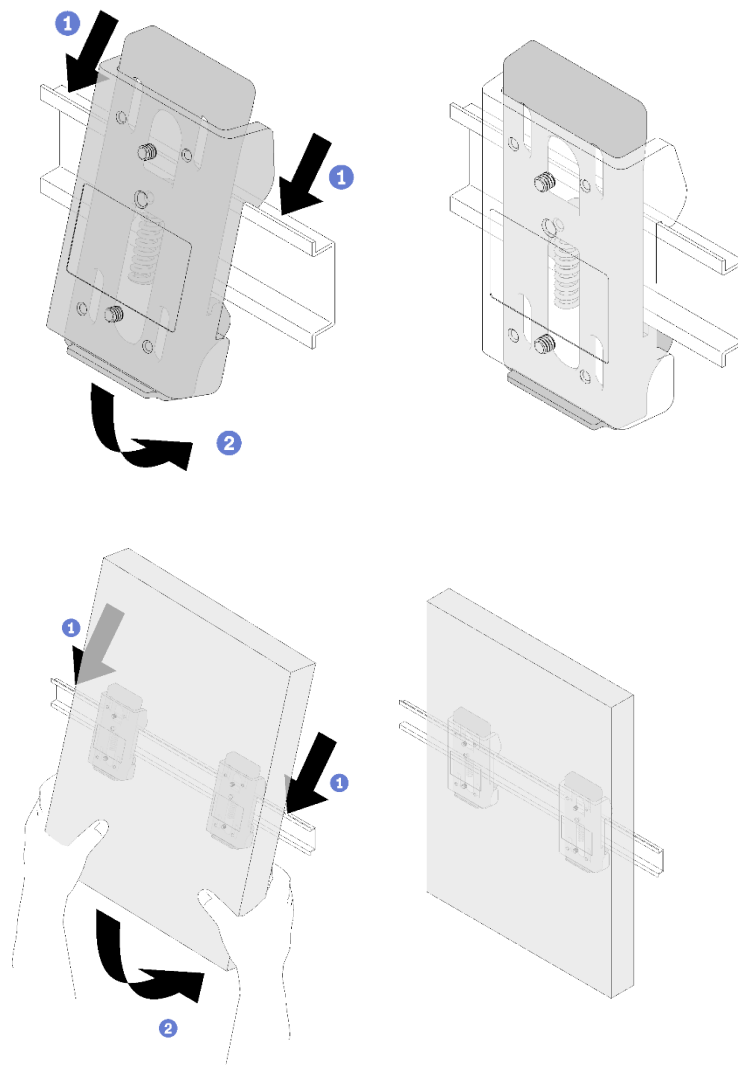
- If you are installing the node sleeve with the power adapter bracket, complete the following steps.

- 1 Align the two DIN rail clips with the power adapter bracket.
- 2 Insert and tighten the four screws.

Note: You can install the DIN rail clips horizontally or vertically as below according to your DIN rail setting.

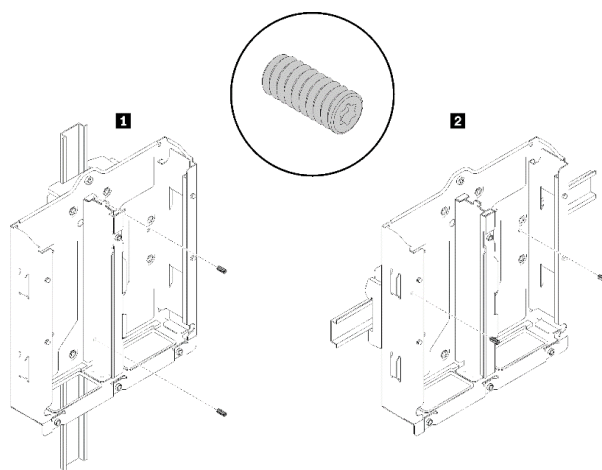


- Hook the two DIN rail clips onto the rails at an angle.
- Put down the node sleeve and ensure the DIN rail clips are securely seated.



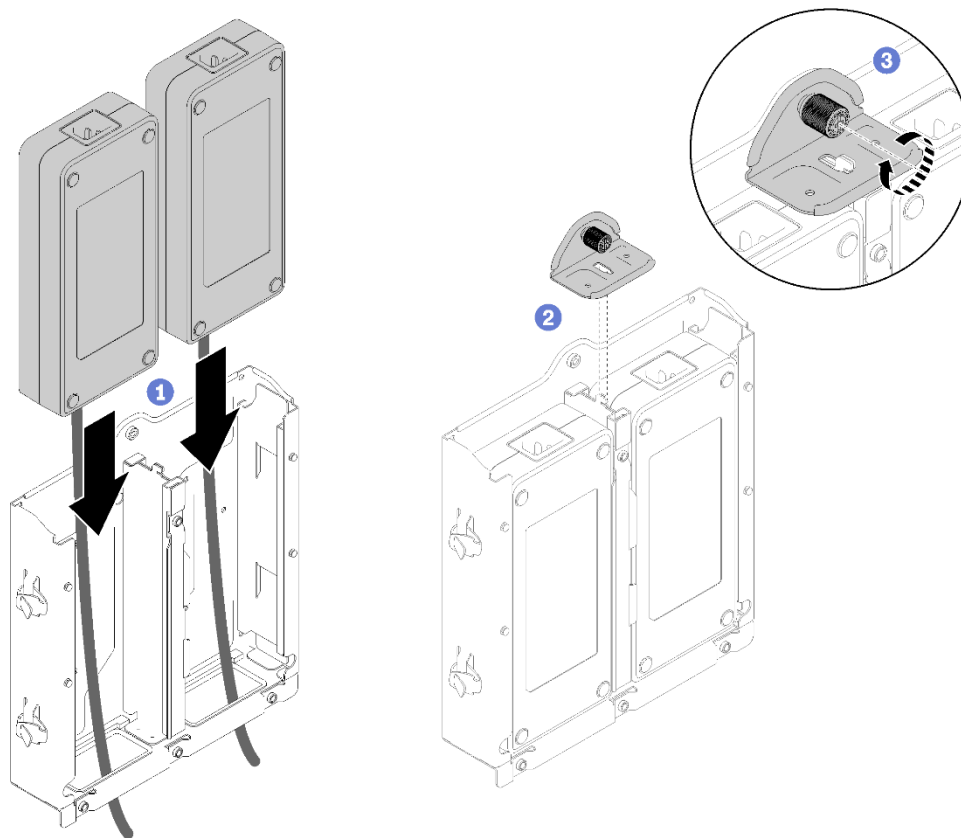
- Install the Screws to secure the power adapter bracket.

Note: You can install the screws vertically or horizontally according to your DIN rail setting.

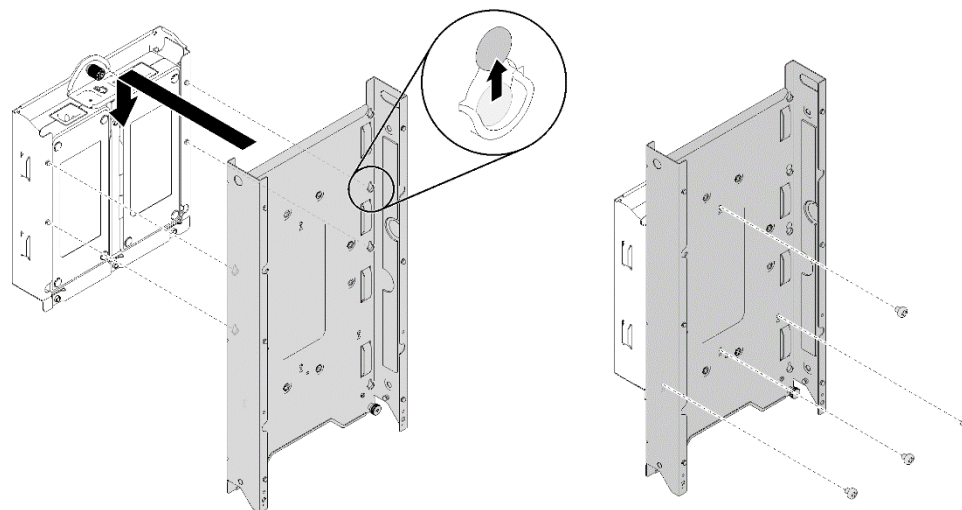


5. Install power adapters into the bracket.

- ❶ Align the power adapters with the power adapter bracket; then, slide the power adapters into place.
- ❷ Align the tab with the slot and carefully hook the tab into place.
- ❸ Fasten the thumbscrew.

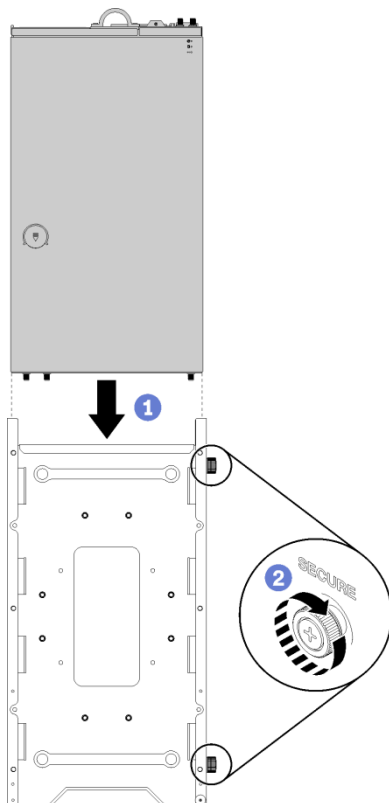


- ❹ Align the node sleeve with the power adapter bracket and slightly push the node sleeve downward to hook the four T-pins into place.
- ❺ Insert and tighten the four screws.



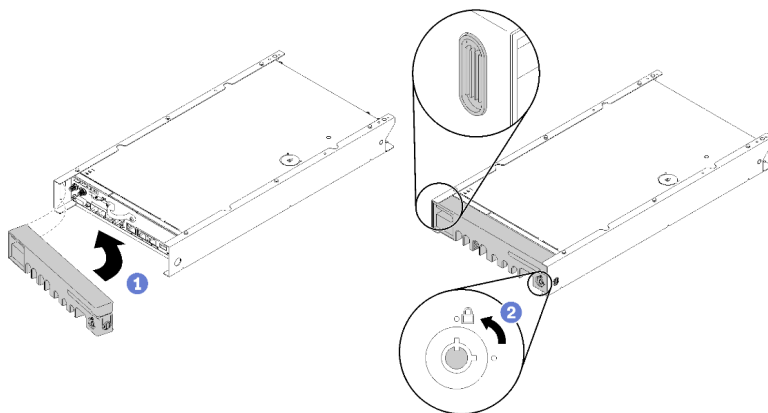
6. Align the node with the node sleeve and slide the node into place; then, fasten the two thumbscrews.

7. Connect the cables if necessary.



8. Carefully insert the tab on the security bezel into the slot; then, pivot the security bezel inward until the other side clicks into place.

9. Use the key to lock the security bezel.

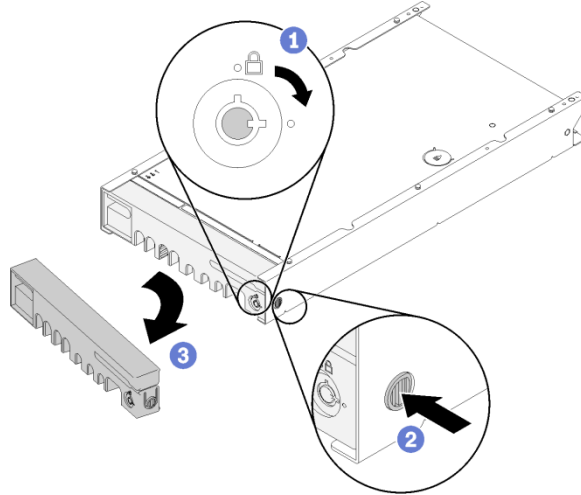


Remove the DIN rail configuration

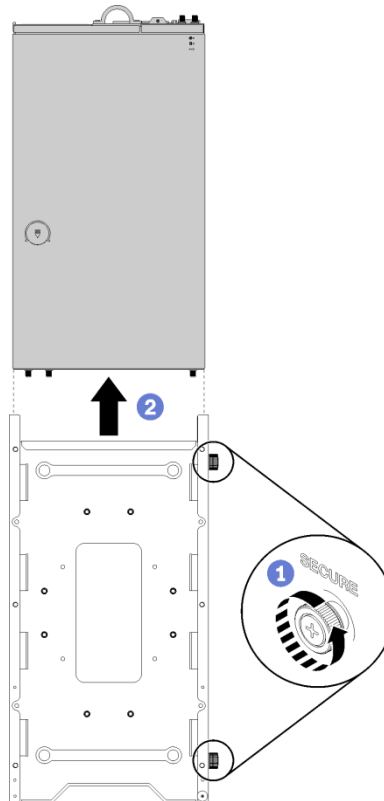
To remove the DIN rail configuration, complete the following steps.

Note: Reserve 500 mm empty space in front of the node so that you can have sufficient space to install and remove the node.

1. Use the key to unlock the security bezel.
2. Press the release tab and pivot the security bezel outward to remove it from the node sleeve.



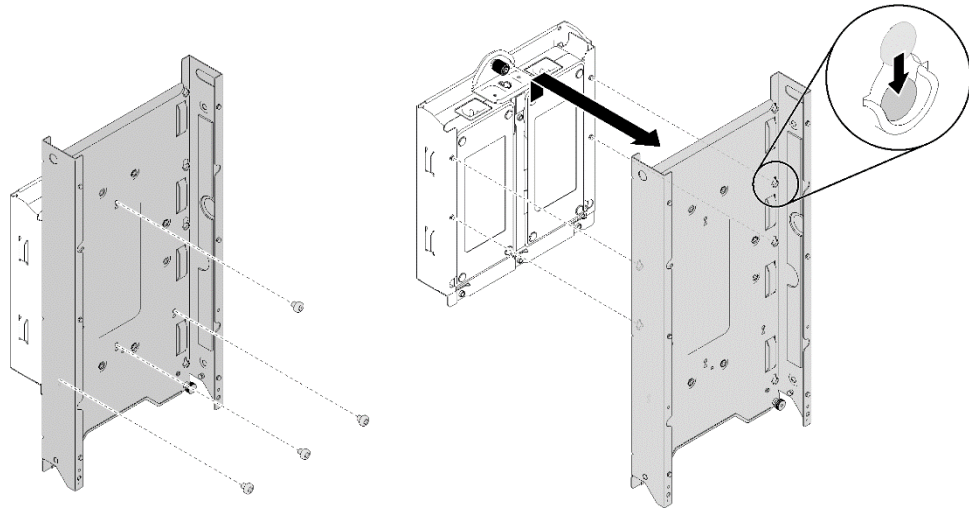
3. Disconnect the cables if necessary.
4. Loosen the two thumbscrews and slide the node of the node sleeve.



5. Remove the node sleeve.

❶ Remove the four screws.

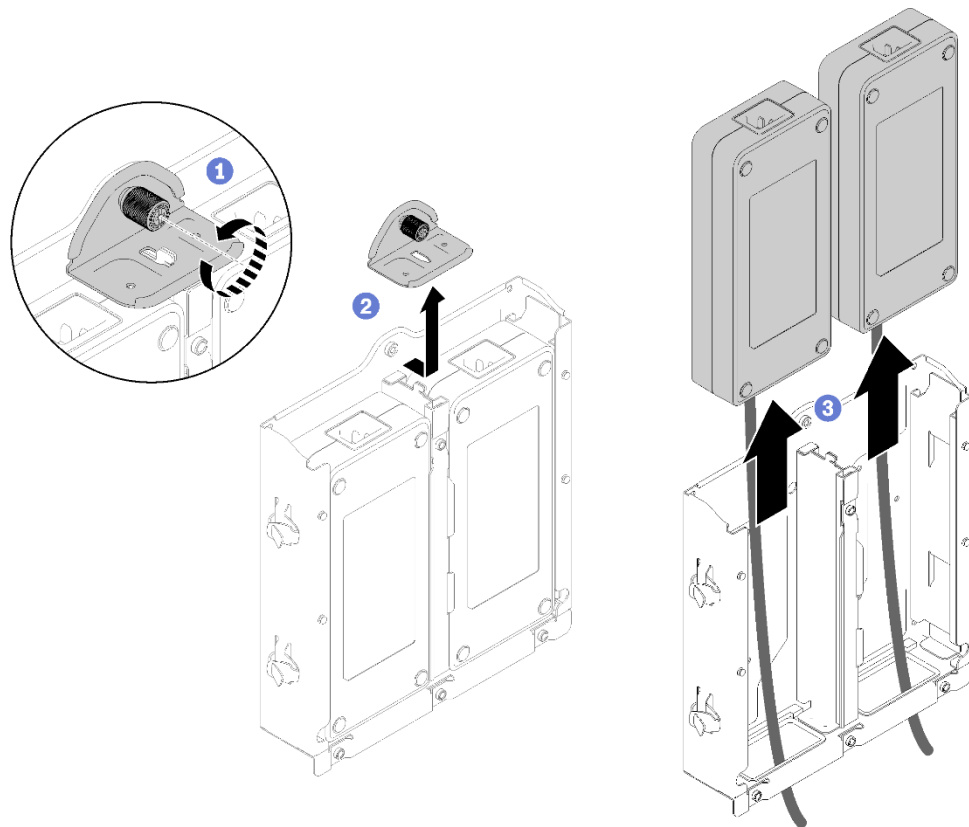
❷ Slightly push the node sleeve upward to unhook the four T-pins and remove it from the power adapter bracket.



❸ Loosen the thumbscrew.

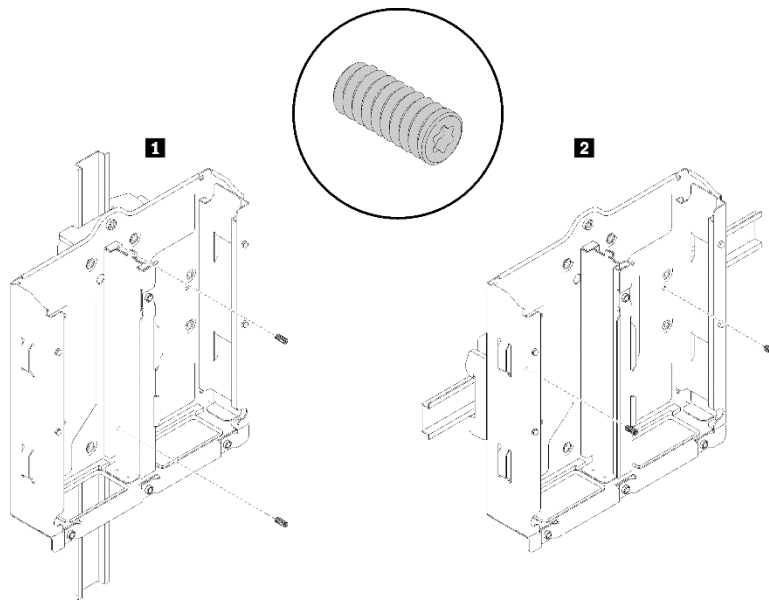
❹ Remove the tab from the power adapter bracket.

❺ Slide the power adapters out of the power adapter bracket.

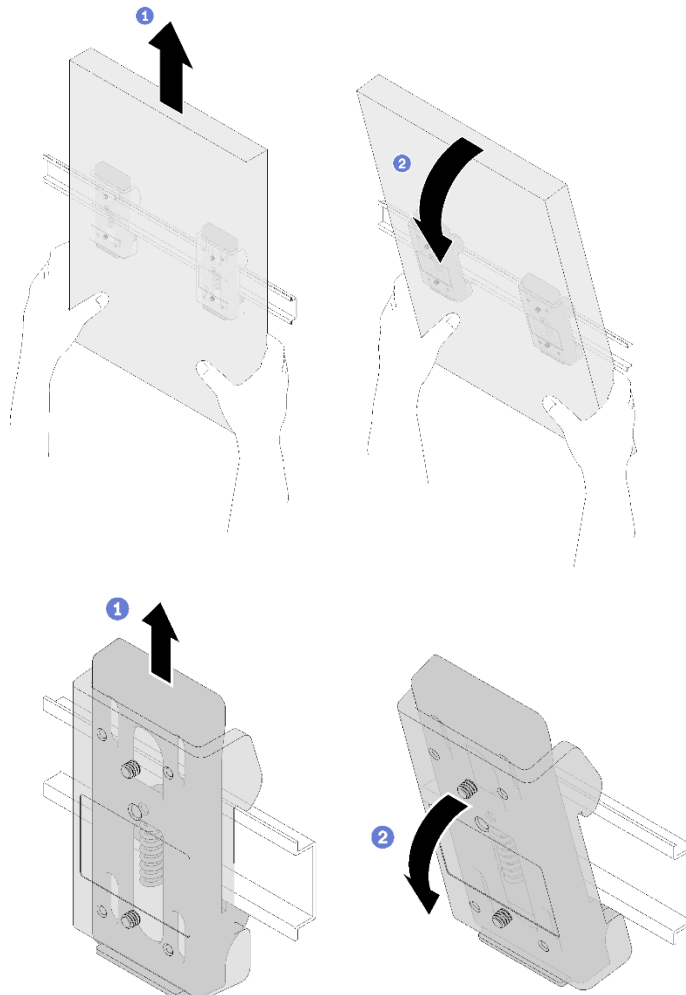


6. Remove the screws from the power adapter.

Note: You can remove the screws horizontally or vertically as below according to your DIN rail setting.

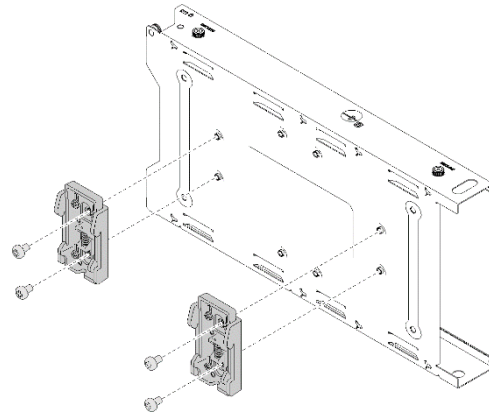


7. Pull the node sleeve up and remove it from the rails.



8. Remove the two DIN rail clips from the node sleeve or the power adapter bracket depending on your configuration.

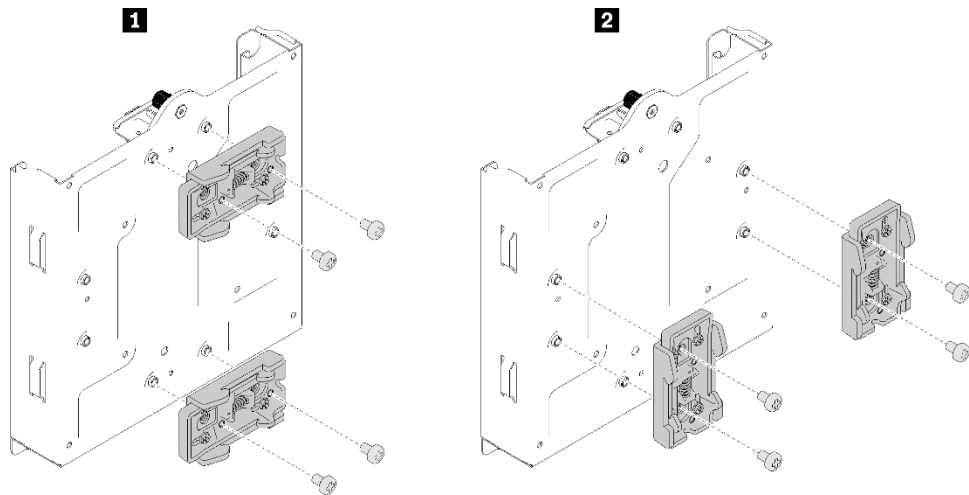
- If you are removing the node sleeve without the power adapter bracket, remove the two DIN rail clips by removing four screws.



- If you are removing the node sleeve with the power adapter bracket, complete the following steps.

- 1 Remove the four screws; then, remove the two DIN rail clips.

Note: You can remove the DIN rail clips vertically or horizontally according to your DIN rail setting.



Wall-mounted Configuration

This document provides important information for installing and removing the wall-mounted configuration.

Install the wall-mounted configuration

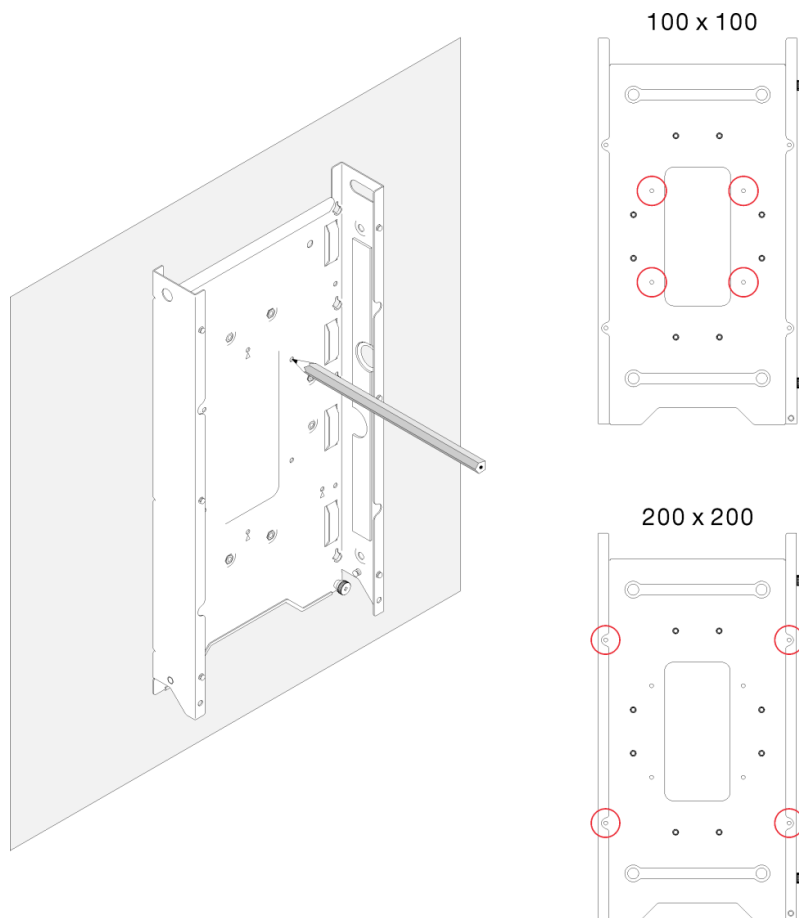
To install the wall-mounted configuration, complete the following steps.

Note: Reserve 500 mm empty space in front of the node so that you can have sufficient space to install and remove the node.

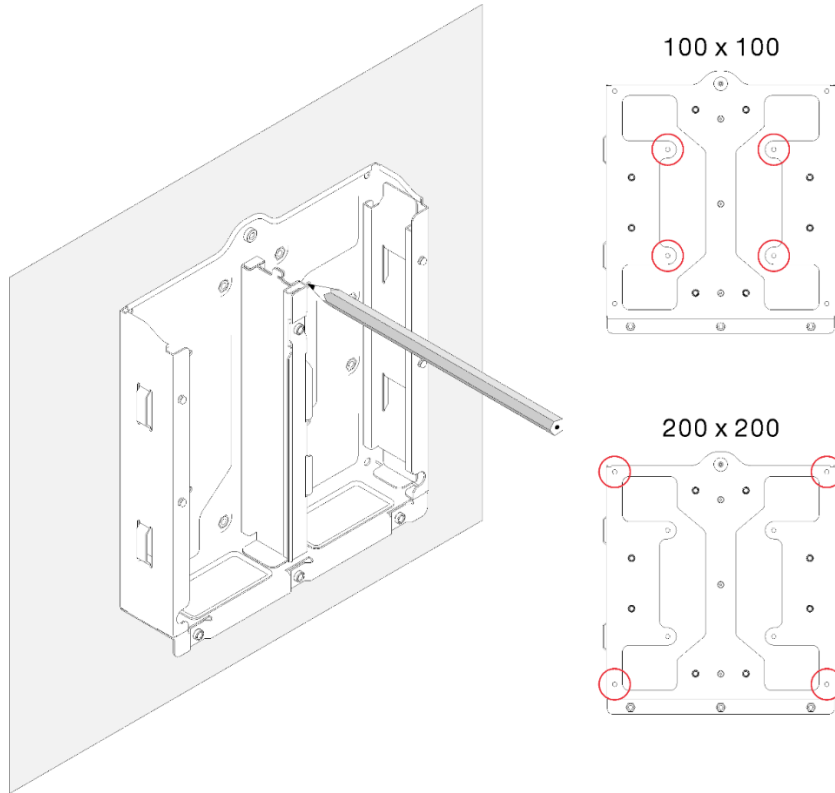
Note: If you are using VESA mount or installing the server on a wall that has 200x200 and 100x100 threaded holes (M4), purchase suitable M4 screws (and nuts) by yourself first; then, fasten the node sleeve or the power bracket to the VESA or to the wall.

For VESA mount and threaded wall, skip step 1-3 and go to step 5 or step 6 depending on your configuration.

1. Place the node sleeve or the power adapter bracket on the wall.
2. Use a pencil to mark the screw positions.
3. Drill the four holes as marked.
 - If you are installing the node sleeve without the power adapter bracket, place the node sleeve on the wall and mark the screw positions as the following illustration.

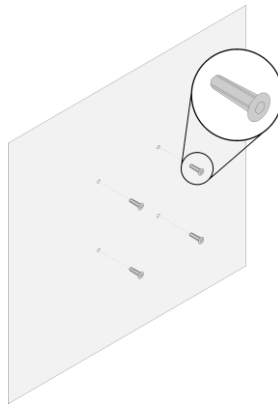


- If you are installing the node sleeve with the power adapter bracket, place the power adapter bracket on the wall and mark the screw positions as the following illustration.



4. Insert and tighten four wall anchors to the wall.

Note: If the wall anchors are not needed for your configuration, skip this step and fasten the required screws.



5. Install the node sleeve and the power adapter bracket.

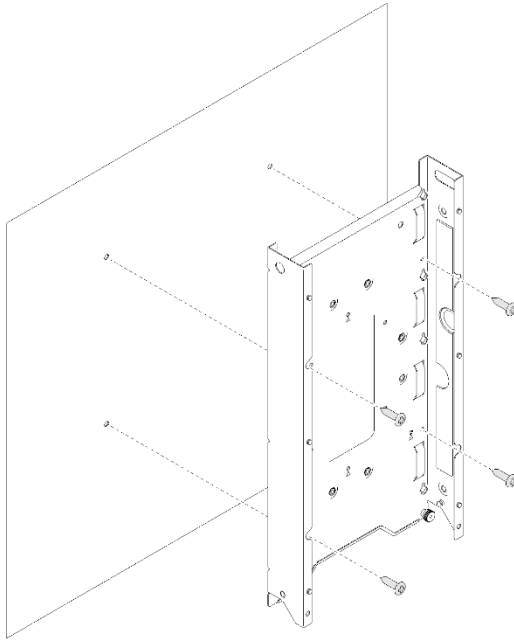
- If you are installing the node sleeve without the power adapter bracket, complete the following steps.

❶ Align the node sleeve with the holes on the wall.

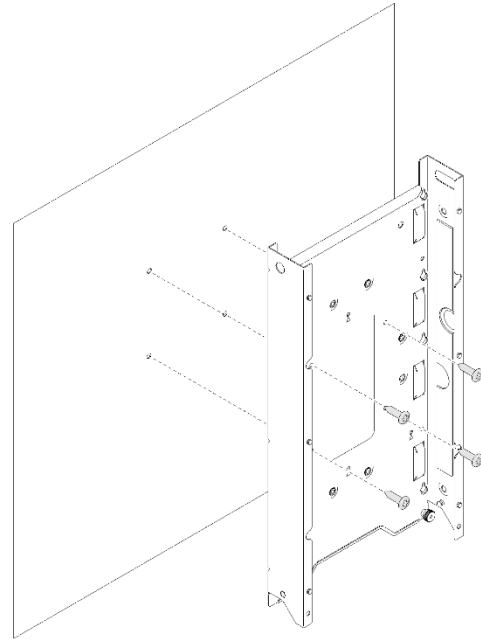
❷ Insert and tighten the four screws.

- If the wall anchors are installed; then, install the four tapping screws
- If the wall anchors are not needed; then, install four machine screws.

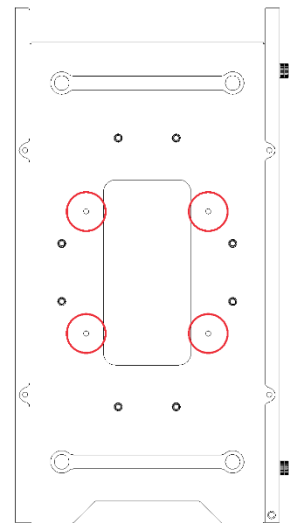
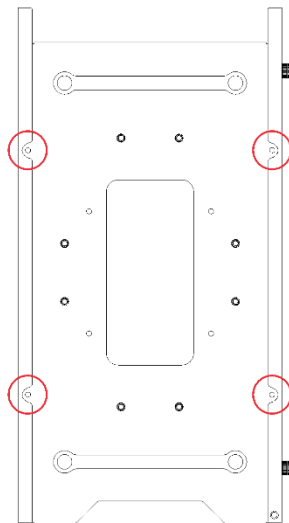
Note: The machine screws are not included in the package, you need to purchase them by yourself.



200 x 200



100 x 100



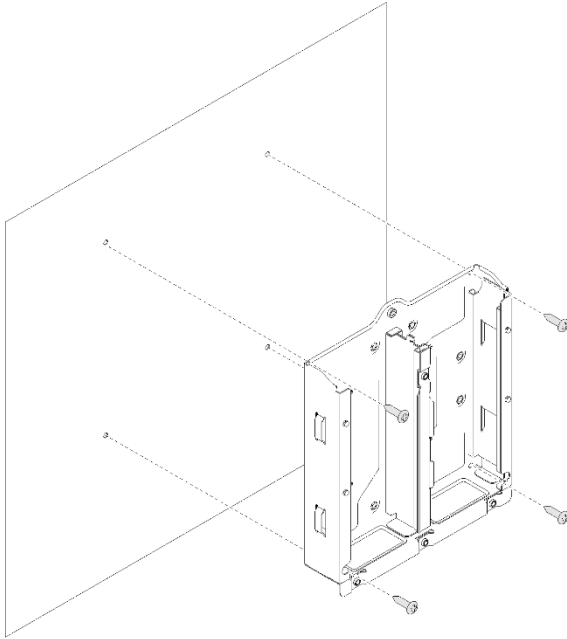
- If you are installing the node sleeve with the power adapter bracket, complete the following steps.

❶ Align the power adapter bracket with the holes on the wall.

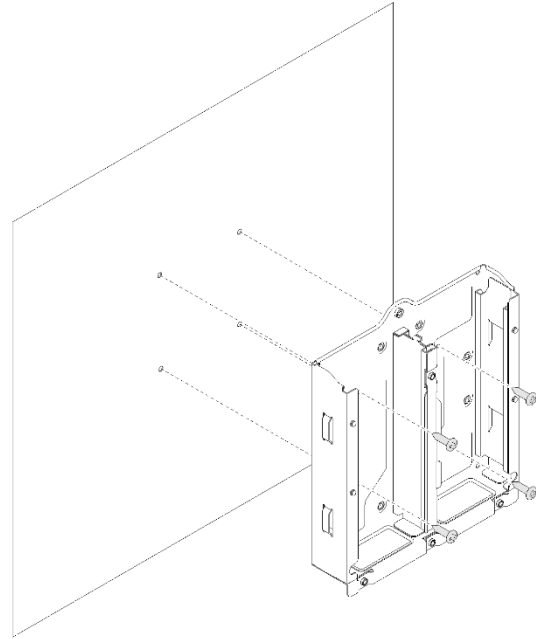
❷ Insert and tighten the four screws.

- If the wall anchors are installed; then, install the four tapping screws
- If the wall anchors are not needed; then, install four machine screws.

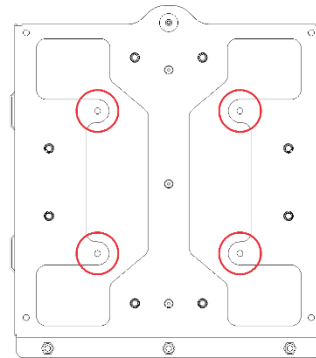
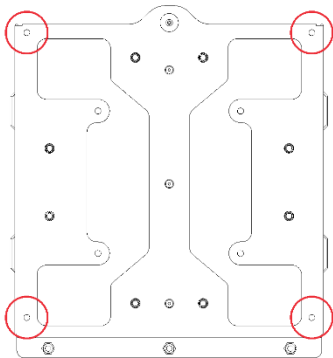
Note: The machine screws are not included in the package, you need to purchase them by yourself.



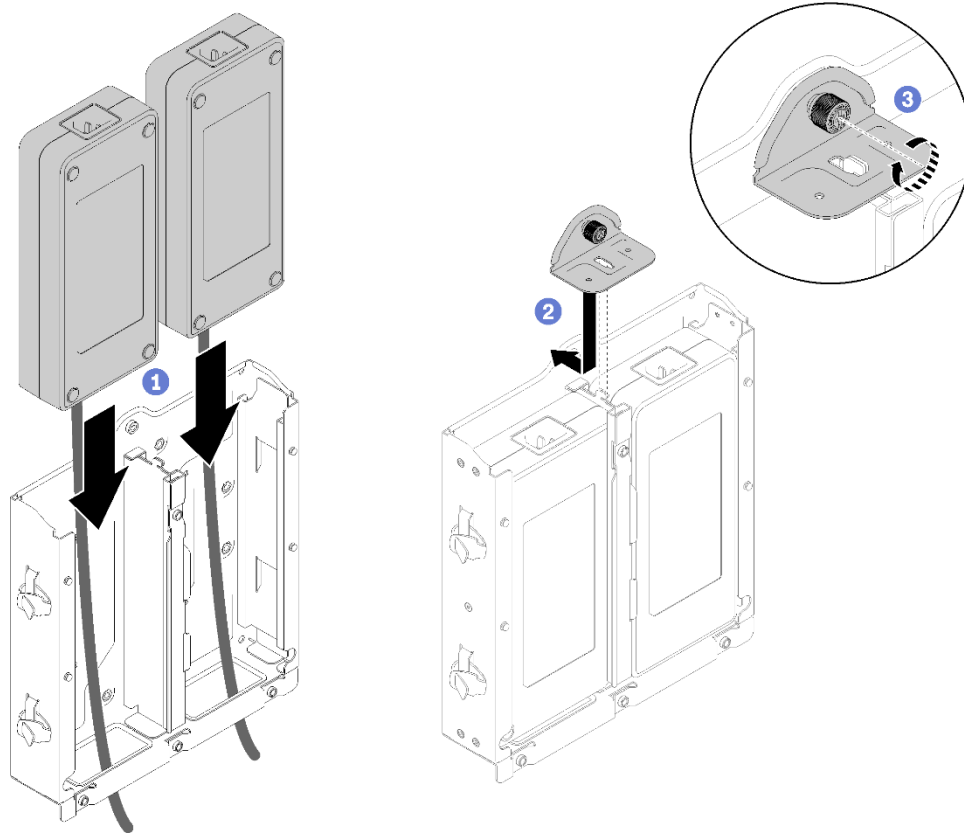
200 x 200



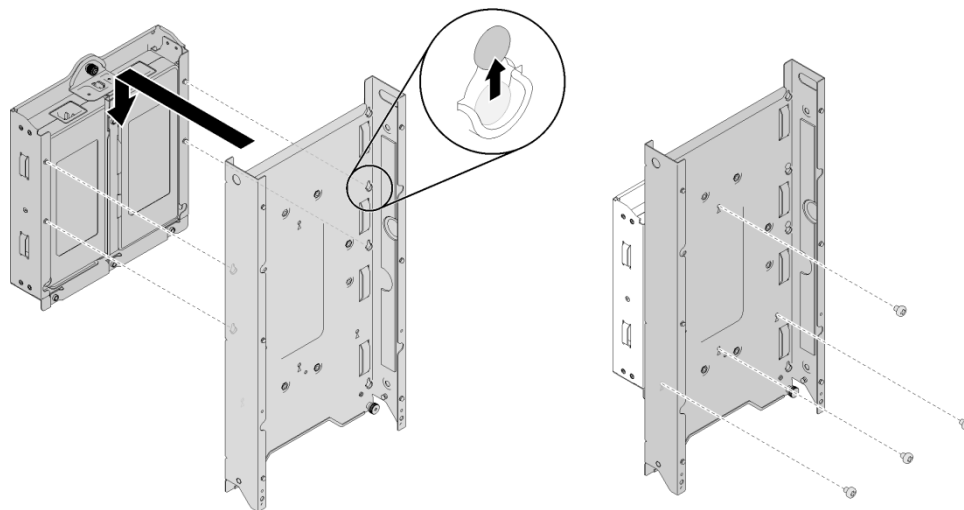
100 x 100



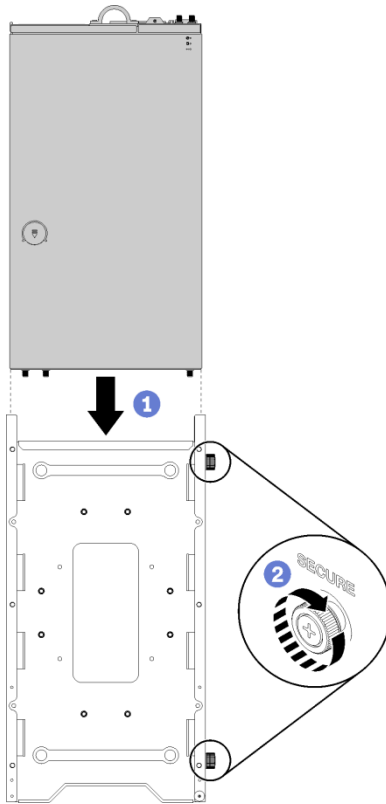
- ③ Align the power adapters with the power adapter bracket; then, slide the power adapters into place.
- ④ Align the tab with the slot and carefully hook the tab into place.
- ⑤ Fasten the thumbscrew.



- ⑥ Align the node sleeve with the power adapter bracket and slightly pull the node sleeve downward to hook the four T-pins into place.
- ⑦ Insert and tighten the four screws.



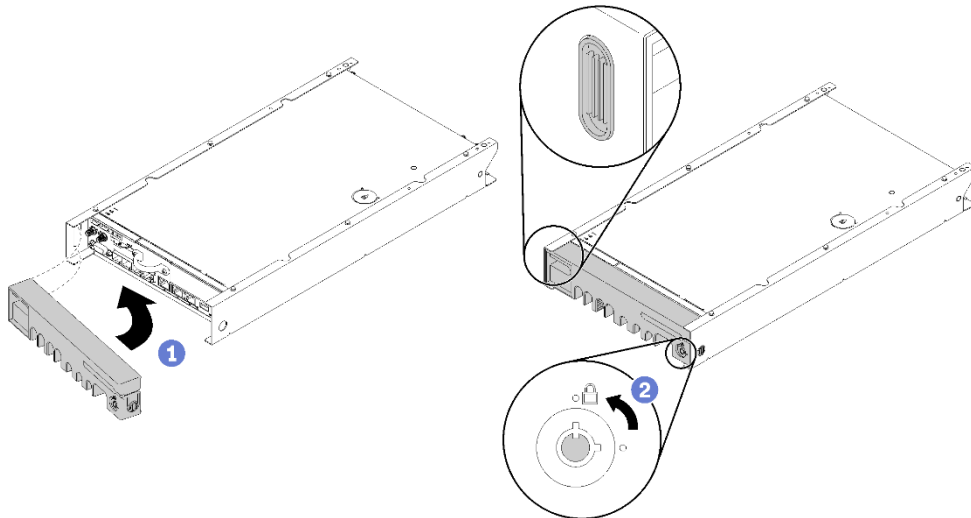
- 6.** Align the node with the node sleeve and slide the node into place; then, fasten the two thumbscrews.



- 7.** Connect the cables if necessary.

- 8.** Carefully insert the tab on the security bezel into the slot; then, pivot the security bezel inward until the other side clicks into place.

- 9.** Use the key to lock the security bezel.

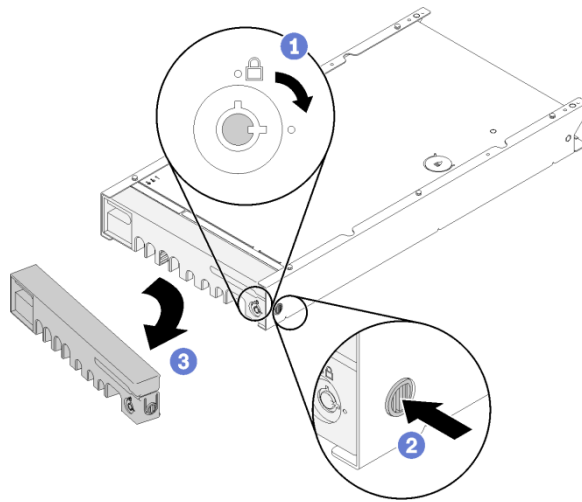


Remove the wall-mounted configuration

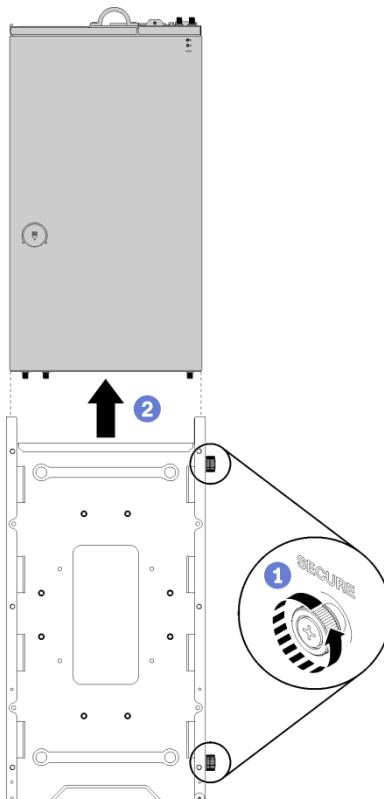
To remove the wall-mounted configuration, complete the following steps.

Note: Reserve 500 mm empty space in front of the node so that you can have sufficient space to install and remove the node.

1. Use the key to unlock the security bezel.
2. Press the release tab and pivot the security bezel outward to remove it from the node sleeve.



3. Disconnect the cables if necessary.
4. Loosen the two thumbscrews and slide the node out of the node sleeve.

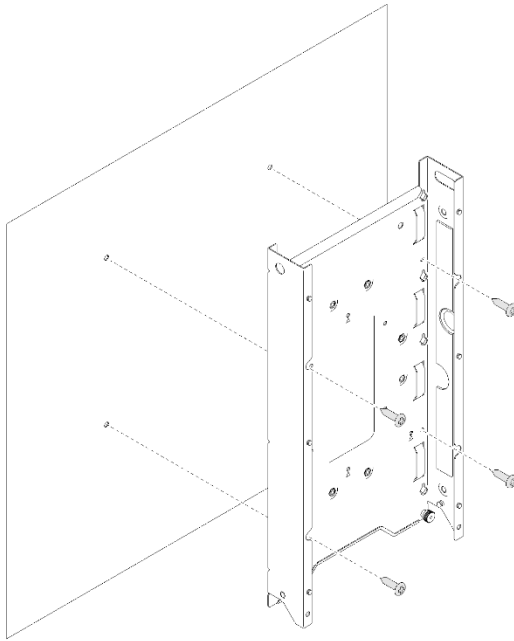


5. Remove the node sleeve and the power adapter bracket.

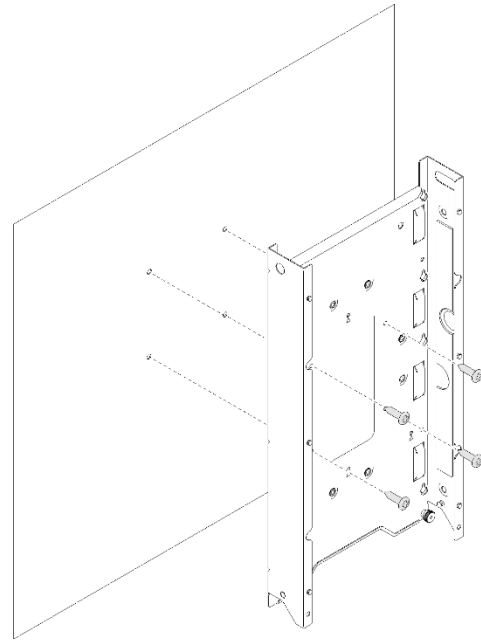
- If you are removing the node sleeve without the power adapter bracket, complete the following steps.

① Remove the four screws.

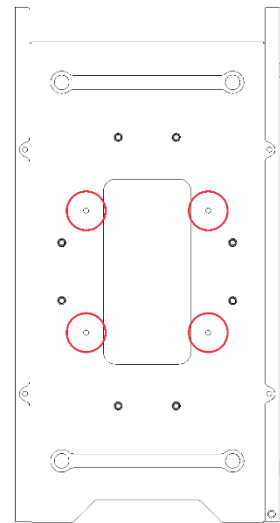
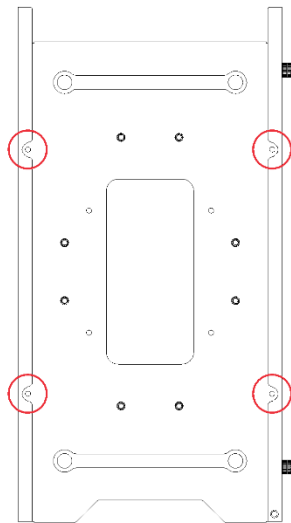
② Remove the node sleeve from the wall or the power adapter bracket.



200 x 200



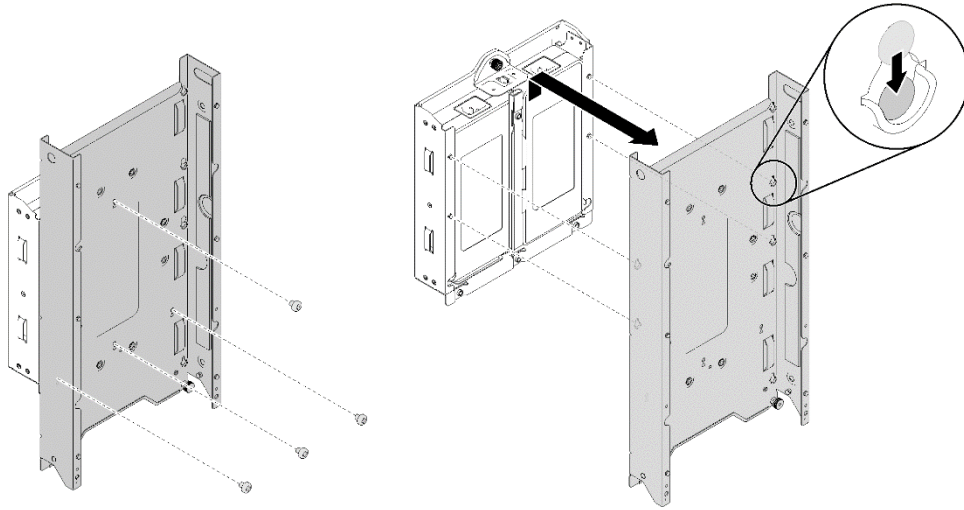
100 x 100



- If you are removing the node sleeve with the power adapter bracket, complete the following steps.

❶ Remove the four screws.

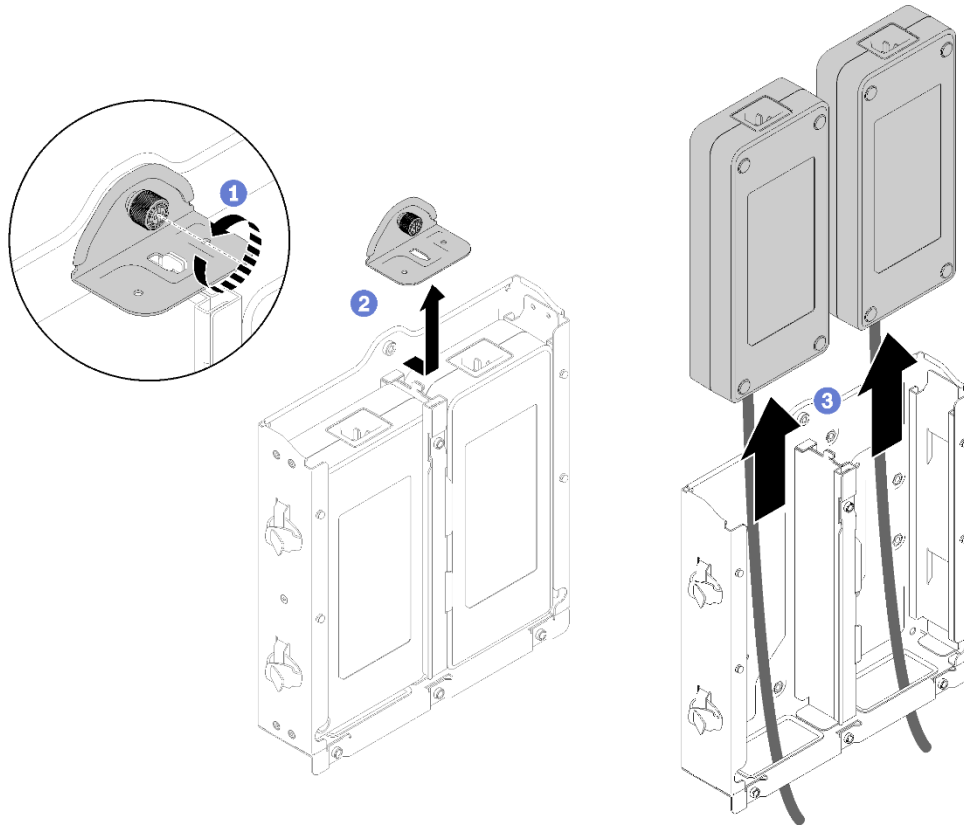
❷ Slightly pull the node sleeve upward to unhook the four T-pins and remove it from the power adapter bracket.



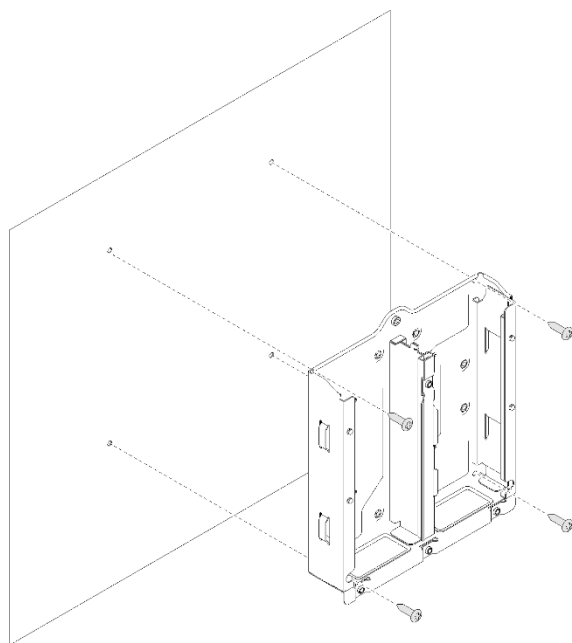
❸ Loosen the thumbscrew.

❹ Remove the tab from the power adapter bracket.

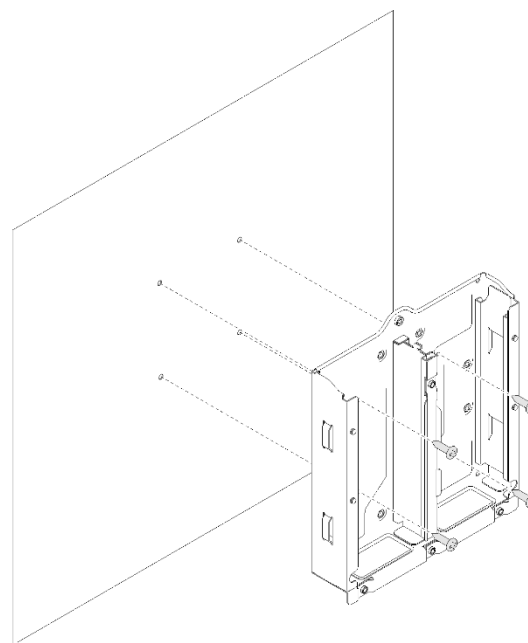
❺ Slide the power adapters out of the power adapter bracket.



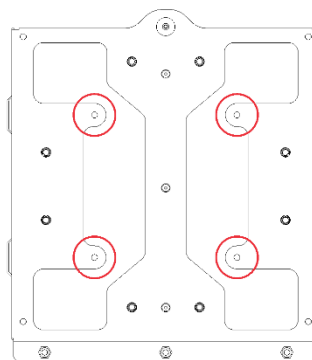
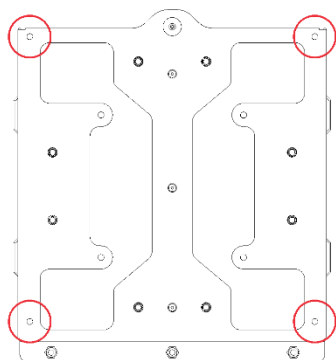
⑥ Remove the four screws and remove the power adapter bracket from the wall.



200 x 200



100 x 100



First Edition (August 2019)

LIMITED AND RESTRICTED RIGHTS NOTICE: If data or software is delivered pursuant to a General Services Administration (GSA) contract, use, reproduction, or disclosure is subject to restrictions set forth in Contract No. GS-35F-05925.

Product and service names appearing herein are trademarks or service marks of their respective owners.

Printed in China
(1P) P/N: SP47A57498

