

INTEGRATED SOLUTIONS



Tripp Lite Integrated Solutions

Maximize the availability, manageability and efficiency of your equipment with reliable and cost-effective IT solutions from a dependable partner.

- Provide reliable, efficient power with battery backup.
- Cool, organize, secure and connect critical systems.
- Manage power and equipment from remote locations.



CONTENTS

Introduction	2
--------------	---

PRODUCT LINES

UPS Systems	3
Racks & Cooling	3
Power Distribution Units	3
KVMs, Consoles & Management Tools	4
Cables & Connectivity	4
Custom Products	4
Other Solutions	5

APPLICATION EXAMPLES

Data Center / MDF	6
Server Room / Computer Room	8
Network Closet / IDF	10
Back Office / Front Office	12
Retail / Point-of-Sale	14
Remote Network Cabinet	16

Solutions Tailored to Fit Your Unique Requirements

Wherever you need to maximize availability, simplify management, optimize efficiency or reduce costs, Tripp Lite will help you get the job done. Tripp Lite manufactures over 3,500 IT products, including UPS systems, racks, cooling, PDUs, KVM switches and cables, with many options for product customization. With such a wide selection to choose from, you will find complete solutions for a variety of applications ranging from desktop to data center.

When you choose Tripp Lite, our experienced Application Specialists help you customize a solution to fit your unique requirements. Through our free **IT Infrastructure Assessment**, we can evaluate your situation and provide actionable recommendations to ensure your solution will provide the availability, manageability, efficiency and affordability you need to meet your goals.

How to Begin

- Learn what Tripp Lite can do for your organization's IT environment by reviewing this brochure and visiting www.tripplite.com/solutions.
- When you're ready to take the next step, contact Tripp Lite at solutions@tripplite.com or **888.447.6227**.



TRIPP LITE WILL HELP YOU:

- **DEFINE** objectives and technical requirements.
- **EVALUATE** existing systems and infrastructure.
- **EXAMINE** systems to ensure they're correctly powered, protected and configured.
- **PLAN** airflow management and cooling.
- **PREPARE** for growth and evolving requirements.
- **MANAGE** equipment from any location.
- **REDUCE** operating costs.
- **IMPROVE** efficiency and availability.
- **CUSTOMIZE** a solution—and even individual products—to fit every application.
- **INTEGRATE** components with existing systems.





UPS SYSTEMS

EFFICIENT, RELIABLE POWER FROM DESKTOP TO DATA CENTER

- Provide conditioned power and expandable battery backup to protect and support a wide range of equipment, from critical servers and network hardware to desktop computers.
- Over 250 models of highly efficient on-line, line-interactive and standby UPS systems in rack, tower and desktop cases.
- Options include 3-phase input, sine wave output, network management, hot-swappable power modules and built-in redundancy.



RACKS & COOLING

CONVENIENT, CONFIGURABLE PROTECTION AND ORGANIZATION

- Quickly configure racks and cooling to maximize the performance, security and energy efficiency of servers and network hardware.
- Over 200 EIA-compliant rack enclosures, open frame racks, wall-mount cabinets, close-coupled cooling solutions, cable managers and rack accessories.



POWER DISTRIBUTION UNITS (PDUs)

NETWORK-GRADE POWER DISTRIBUTION

- Distribute power to servers and network equipment in high-density environments.
- Over 200 basic, metered, monitored and switched rack PDUs in horizontal and vertical form factors.
- Options include current monitoring, network interface, centralized management, automated alerts, remote outlet control, 3-phase input and automatic transfer switch (ATS).



KVMs, CONSOLES & MANAGEMENT TOOLS

LOCAL AND REMOTE MONITORING AND CONTROL

- Securely access hundreds of servers and other devices from any location through a single console (keyboard, mouse and monitor).
- Manage power, assets and infrastructure with remote management accessories and downloadable software tools.
- Over 100 KVM switches, rack consoles, IP console servers and accessories.
- KVM options include remote access (KVM over IP), built-in consoles with foldaway LCD monitors, support for multiple users and space-saving Cat5/UTP cabling.



CABLES & CONNECTIVITY

DEPENDABLE NETWORK AND POWER CONNECTIONS

- Connect high-speed data networks and power outlets to switches, routers and servers in high-density environments.
- Hundreds of cables, adapters, extenders, splitters, switches and patch panels, all tested to meet or exceed the latest standards.
- Solutions include copper and fiber network cables, modular patch panels, display solutions, USB solutions, computer cables and power cords.
- Wide variety of cable lengths and colors.

CUSTOM PRODUCTS

RACKS, CABLES, PDUs AND UPS SYSTEMS BUILT TO YOUR SPECIFICATIONS

- With more than 3,500 products, Tripp Lite may already make exactly what you need, but we know that off-the-shelf products aren't always ideal for every application.
- Our in-house engineering team can deliver custom products without delaying your project or breaking your budget. Contact us for solutions designed to match your technical specifications, cost requirements, facility, personnel and policies.



OTHER SOLUTIONS

SURGE PROTECTORS AND POWER STRIPS

- Over 200 models provide up to 24 outlets wherever you need them, with or without robust surge/noise protection for power and data lines.



CHARGING STATIONS

- Available as wall-mountable cabinets and carts, charging stations secure dozens of mobile devices (such as tablets, laptops and Chromebooks) inside a steel enclosure, providing USB or AC charging, comprehensive protection, clutter-reducing organization and flexible deployment.
- For education, healthcare, retail, commercial, industrial and office settings.

WORKWISE™ SIT-STAND DESKS AND WORKSTATIONS

- WorkWise solutions provide comfort while sitting or standing to improve workspace ergonomics, promote health and increase productivity. Sit-stand desks provide a complete desk solution, combining an electric adjustable-height base, digital memory control and a variety of durable and attractive work surfaces. Sit-stand workstations convert existing desks to enable sit-stand ergonomics.



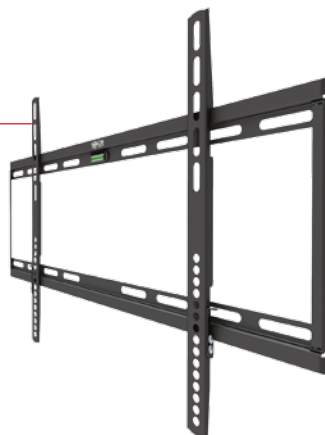
DIGITAL SIGNAGE SOLUTIONS

- Everything required to connect high-resolution sources to distant displays.
- Direct-connect cables, over Cat5 (UTP) extenders, HDBaseT extenders, over IP extenders, switches, splitters, adapters, converters, couplers, Cat5/6/6a cabling, patch panels, wall plates, keystone jacks, tools and testers.



DISPLAY MOUNTS

- VESA-compliant wall, desk, ceiling, fixed, tilting and full-motion mounts for displays up to 100 in. and 350 lb.



NETWORK SWITCHES

- Rack-mounted and desktop switches provide up to 24 Gigabit Ethernet ports, with or without PoE. Select models include a built-in PDU with up to 12 outlets.



Data Center / MDF (Main Distribution Frame)

Typical Environment and Challenges

- 6 to 100+ rack enclosures hold servers, storage and network hardware. MDF racks organize network cabling.
- Supply reliable, efficient power and battery backup.
- Supplement perimeter cooling with close-coupled air conditioning to target hot spots.
- Organize high-density connections to high-speed networks.
- Centralize management of power, devices and infrastructure.
- Support enterprise security standards.
- Support hot-aisle/cold-aisle configurations.

RECOMMENDED TRIPP LITE SOLUTIONS

UPS SYSTEMS

- In-Rack Power: SmartOnline® and SmartPro® Single-Phase UPS Systems** provide up to 20kVA of reliable, efficient power with expandable battery backup to keep equipment operating through blackouts and other power problems.
- Centralized Power: SmartOnline 3-Phase UPS Systems** provide up to 480kVA of reliable, efficient power with expandable battery backup and built-in N+1 redundancy.

RACKS & COOLING

- SmartRack® Enclosures** come in 12U, 18U, 24U, 25U, 42U, 45U and 48U sizes, with a variety of depths and widths available.
- SmartRack Open Frame Racks** are available in 12U, 13U, 25U, 42U, 45U, 48U, 50U, 52U and 58U sizes. We stock 2-post, 4-post and heavy-duty models, with many custom options.
- High-Capacity Cable Managers** organize and secure large quantities of network patch cables.
- Cable Troughs and Cable Ladders** route cables between racks and across aisles, separating power and data cables.
- Portable Air Conditioning Units** provide up to 24,000 BTU (7 kW) of supplemental plug-and-play cooling with remote management support.

POWER DISTRIBUTION UNITS (PDUs)

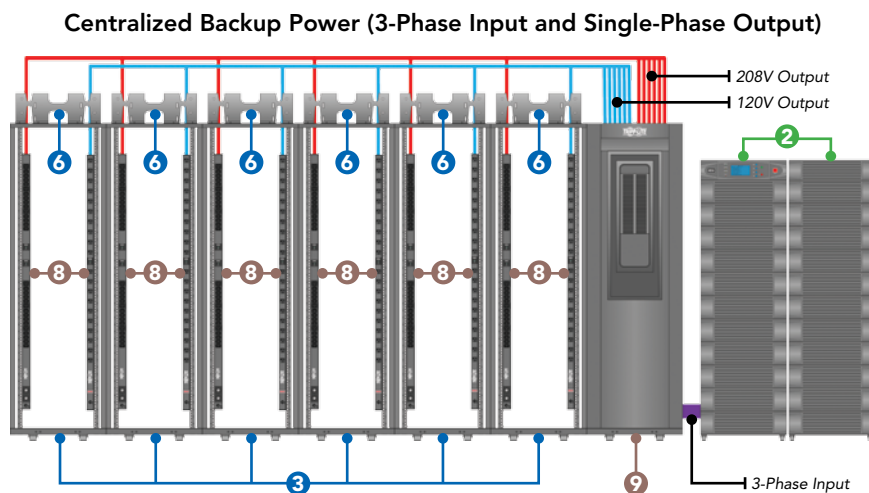
- Network-Grade Rack PDUs** are available with or without current monitoring, remote monitoring/alerts, remote individual outlet control, 3-phase input and built-in ATS.
- Power Distribution Centers** distribute single-phase and/or 3-phase power from 3-phase power sources to racks through add-on breakers and output cord sets (whips).

KVMs, CONSOLES & MANAGEMENT TOOLS

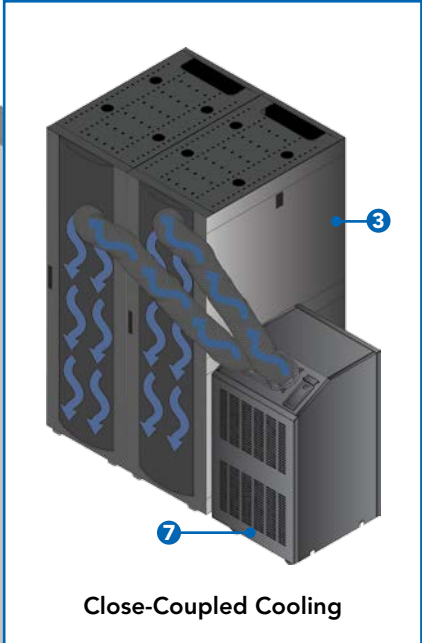
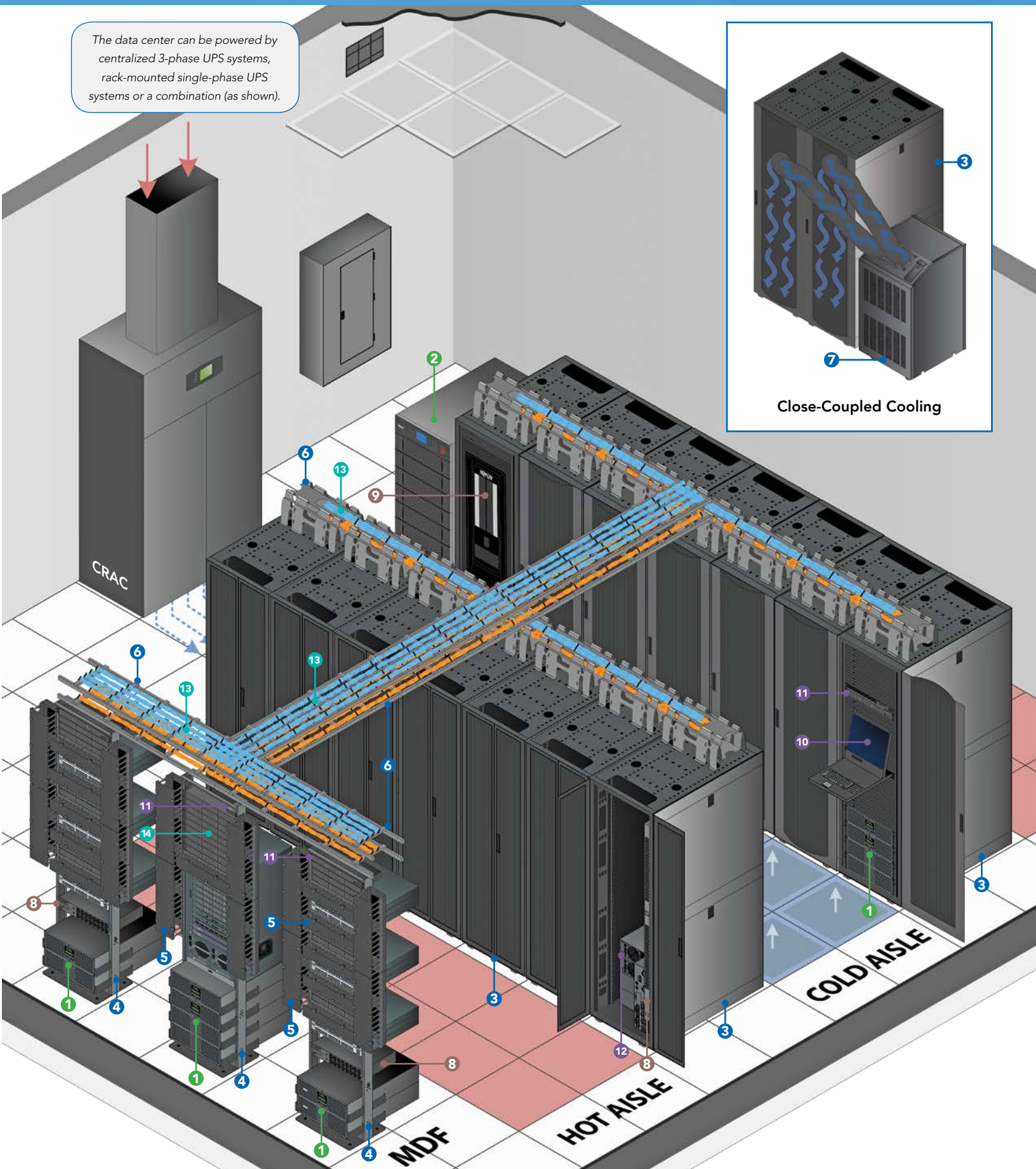
- KVM Switches** control multiple servers from a single console. Available features include IP remote access, Cat5 cabling, multiuser access and LCD consoles that fold to store in 1U.
- IP Console Servers** provide secure in-band and out-of-band remote access to serial- and network-connected devices.
- UPS Network Management Cards** enable standalone remote UPS monitoring and control via SNMP, Web, SSH or telnet, including centralized management via free PowerAlert® software. Also support optional **Environmental Sensors**.

CABLES & CONNECTIVITY

- Network Cables (Copper and Fiber)**
- Patch Panels (Copper and Fiber)**



The data center can be powered by centralized 3-phase UPS systems, rack-mounted single-phase UPS systems or a combination (as shown).



Server Room / Computer Room

Typical Environment and Challenges

- 1 to 6 racks hold servers, storage and network hardware.
- Supply reliable, efficient power and battery backup.
- Secure equipment and maximize system uptime.
- Supplement or replace facility HVAC with close-coupled cooling to target hot spots and increase efficiency.
- Organize rack equipment and high-density cabling.
- Simplify and centralize power and device management.
- Allow IT staff to manage equipment from any location to reduce labor and travel costs while improving uptime.
- Support enterprise security standards.
- Connect equipment to high-speed networks.
- Enable self-service to reduce repair costs and delays.

RECOMMENDED TRIPP LITE SOLUTIONS

UPS SYSTEMS

- 1 **In-Rack Power: SmartOnline and SmartPro Single-Phase UPS Systems** provide up to 20kVA of reliable, efficient power with expandable battery backup to keep equipment operating through blackouts and other power problems. **SmartOnline Hot-Swappable UPS Systems** prevent downtime during maintenance and repair by routing all power connections through a detachable PDU with a bypass switch.
- 2 **External Battery Packs** provide extended runtime for compatible UPS systems.
- 3 **Centralized Power: SmartOnline 3-Phase UPS Systems** provide up to 480kVA of reliable, efficient power with expandable battery backup and built-in N+1 redundancy.

RACKS & COOLING

- 4 **SmartRack Enclosures** come in 12U, 18U, 24U, 25U, 42U, 45U and 48U sizes, with a variety of depths and widths available.
- 5 **SmartRack Open Frame Racks** are available in 12U, 13U, 25U, 42U, 45U, 48U, 50U, 52U and 58U sizes. We stock 2-post, 4-post and heavy-duty models, with many custom options.
- 6 **High-Capacity Cable Managers** organize and secure large quantities of network patch cables.
- 7 **Cable Troughs and Cable Ladders** route cables between racks and across aisles, separating power and data cables to limit electromagnetic interference.
- 8 **Portable Air Conditioning Units** provide up to 24,000 BTU (7 kW) of close-coupled, plug-and-play cooling. They are self-contained and can be fully installed by IT staff. They can cool a small room or focus cool air on an overheating rack or device through a flexible output duct. An included or optional network accessory enables remote management.
- 9 **Rack-Mounted Air Conditioning Units** provide up to 7,000 BTU (2kW) of close-coupled, plug-and-play cooling. They are self-contained and can be installed by IT staff like other rack equipment, either at the top or bottom of the rack.

POWER DISTRIBUTION UNITS (PDUs)

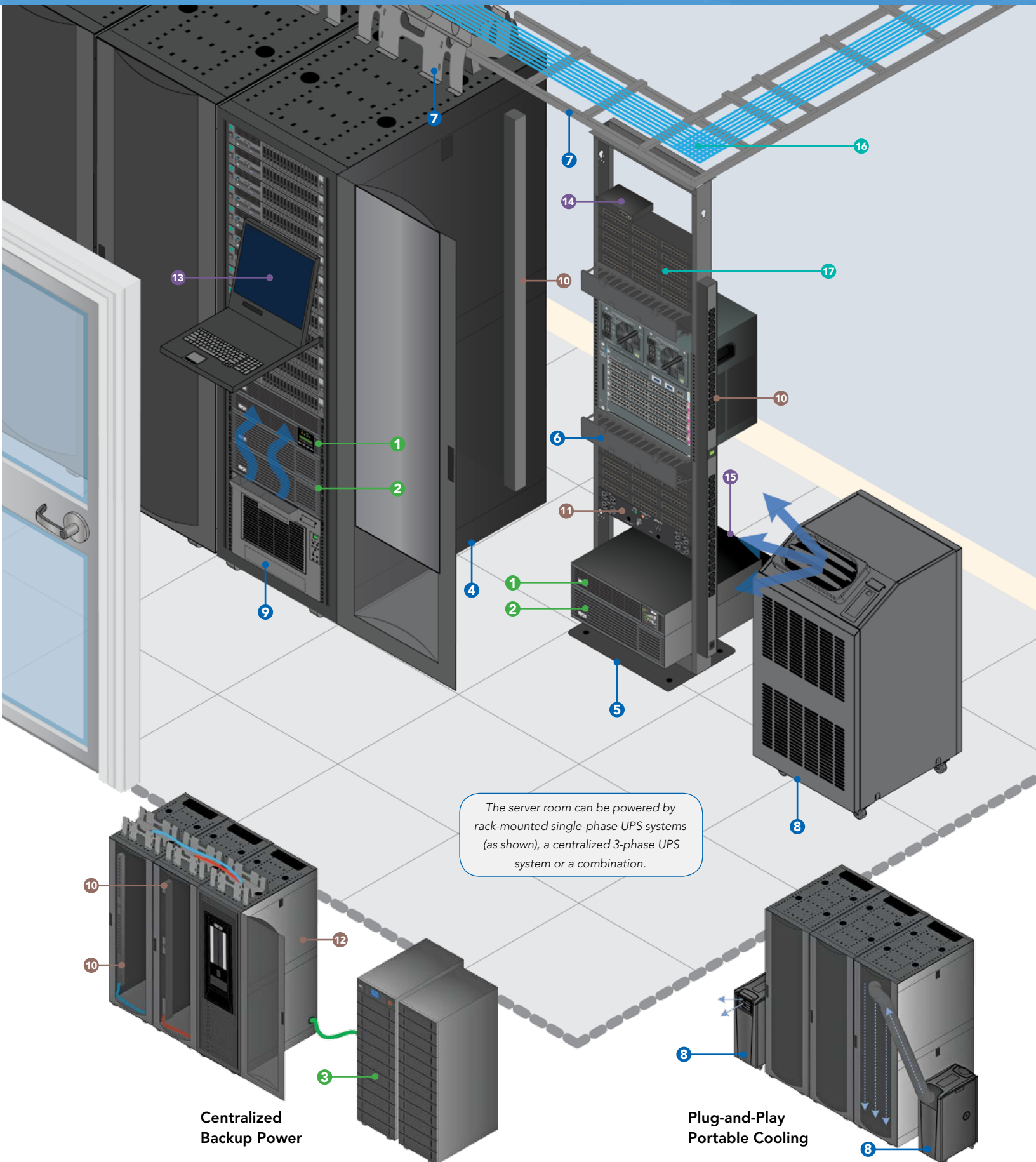
- 10 **Network-Grade Rack PDUs** are available with or without current monitoring, remote monitoring/alerts, remote individual outlet control, 3-phase input and built-in ATS.
- 11 **Hot-Swap PDUs** provide dual power inputs and a manual transfer switch to allow any compatible UPS to be hot-swapped for maintenance, repair or replacement without requiring connected equipment downtime.
- 12 **Power Distribution Centers** distribute single-phase and/or 3-phase power from 3-phase power sources to racks through add-on breakers and output cord sets (whips). They are available with or without a built-in bypass panel.

KVMs, CONSOLES & MANAGEMENT TOOLS

- 13 **KVM Switches** control multiple servers from a single console (keyboard, mouse and monitor). Available features include IP remote access, Cat5 cabling, multiuser access and built-in LCD consoles that fold to store in 1U.
- 14 **IP Console Servers** provide highly secure in-band (primary network) and out-of-band (fail-safe) remote access to serial- and network-connected devices, including servers, routers and network switches. Compact models do not require rack space.
- 15 **UPS Network Management Cards** enable standalone remote UPS monitoring and control via SNMP, Web, SSH or telnet, including centralized management via free PowerAlert software. Connect optional **Environmental Sensors** to monitor temperature, humidity and dry contact devices.

CABLES & CONNECTIVITY

- 16 **Network Cables (Copper and Fiber)** connect high-speed data networks to switches, routers and servers.
- 17 **Patch Panels (Copper and Fiber)** provide reliable network interconnections in minimal rack space. Using patch panels as part of a structured cabling system lowers maintenance costs and reduces installer errors.



Network Closet/ IDF (Intermediate Distribution Frame)

Typical Environment and Challenges

- 1 to 3 open frame racks hold network/telecommunications equipment and cabling for a branch office or part of a large building or campus. Also known as a wiring closet or intermediate distribution frame (IDF).
- Supply reliable, efficient power and battery backup.
- Organize high-density connections to high-speed networks.
- Simplify and centralize power and device management.
- Allow IT staff to manage equipment from any location to reduce labor and travel costs while improving uptime.
- Maintain consistent temperature regardless of facility HVAC operation.
- Target hot spots with close-coupled cooling.

RECOMMENDED TRIPP LITE SOLUTIONS

UPS SYSTEMS

- 1 **SmartOnline and SmartPro Single-Phase UPS Systems** provide up to 20kVA of reliable, efficient power with expandable battery backup to keep equipment operating through blackouts and other power problems.
- 2 **External Battery Packs** provide extended runtime for compatible UPS systems.

RACKS & COOLING

- 3 **SmartRack Open Frame Racks** are available in 12U, 13U, 25U, 42U, 45U, 48U, 50U, 52U and 58U sizes. We stock 2-post, 4-post and heavy-duty models, with many custom options.
- 4 **High-Capacity Cable Managers** organize and secure large quantities of network patch cables. Horizontal models and vertical models with toolless mounting are available.
- 5 **Cable Ladders** route cables between racks and across aisles, separating power and data cables to limit electromagnetic interference that can increase errors and reduce performance.
- 6 **Portable Air Conditioning Units** provide up to 24,000 BTU (7 kW) of close-coupled, plug-and-play cooling. They are self-contained and can be fully installed by IT staff. They can cool a small room or focus cool air on an overheating rack or device through a flexible output duct. An included or optional network accessory enables remote management.

POWER DISTRIBUTION UNITS (PDUs)

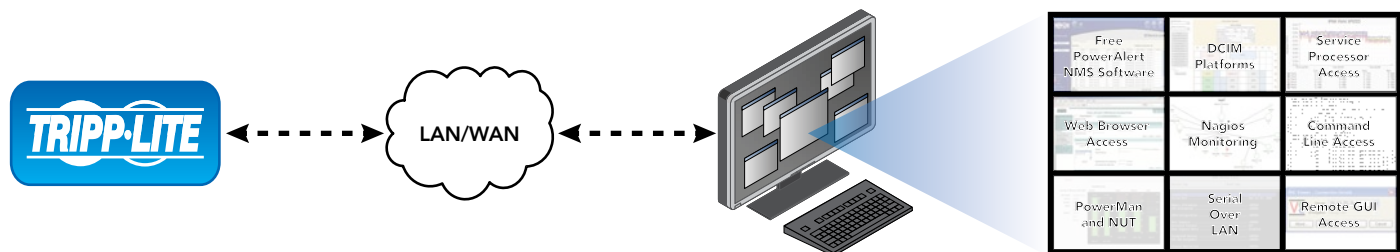
- 7 **Network-Grade Rack PDUs** are available with or without current monitoring, remote monitoring/alerts, remote individual outlet control, 3-phase input and built-in ATS. **Hot-Swap PDUs** provide dual power inputs and a manual transfer switch to allow any compatible UPS to be hot-swapped for maintenance, repair or replacement without requiring connected equipment downtime.

KVMs, CONSOLES & MANAGEMENT TOOLS

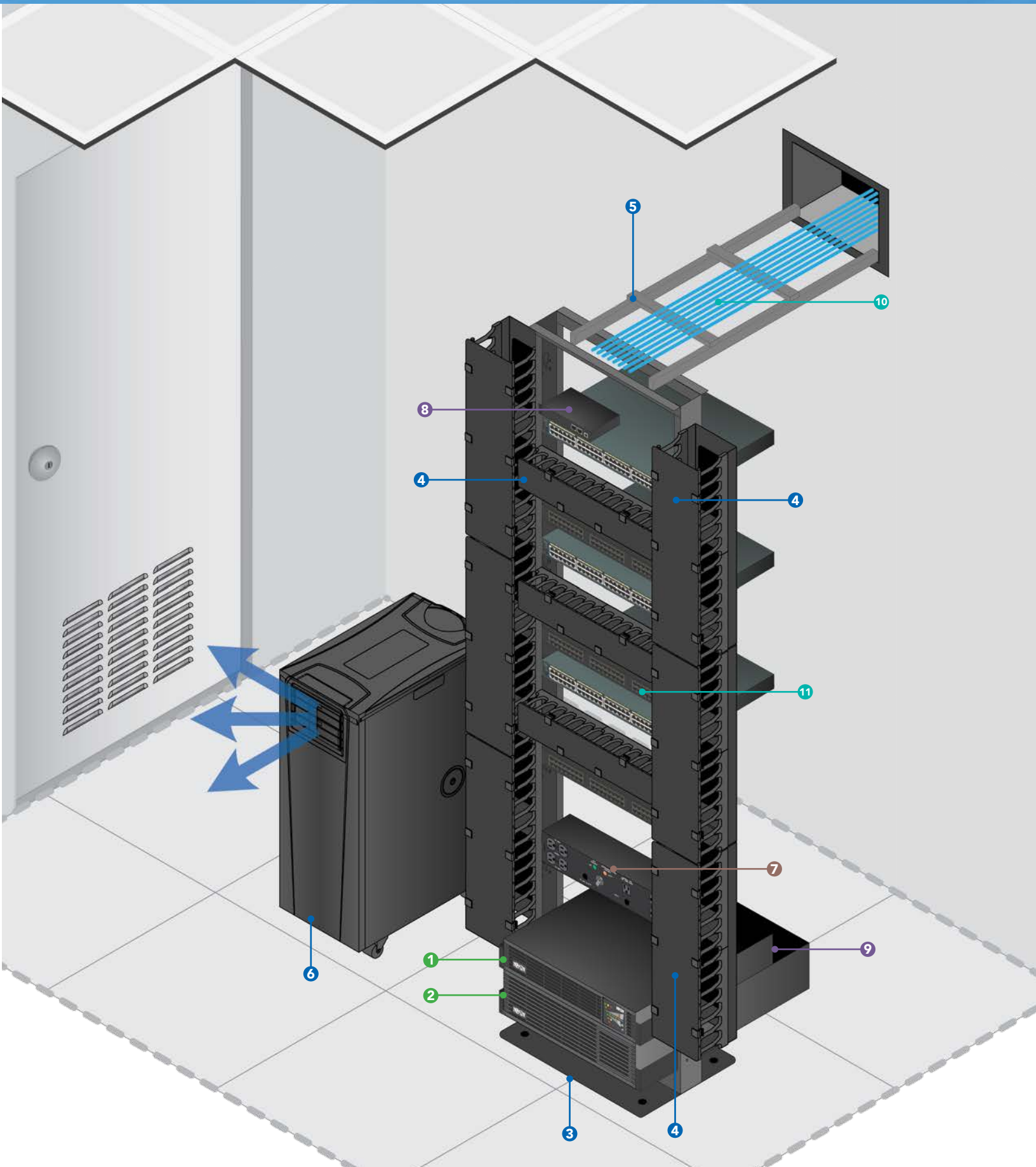
- 8 **IP Console Servers** provide highly secure in-band (primary network) and out-of-band (fail-safe) remote access to serial- and network-connected devices, including servers, routers and network switches. Real-time alerts, service processor access and convenient management tools correct problems before they impair productivity.
- 9 **UPS Network Management Cards** enable standalone remote UPS monitoring and control via SNMP, Web, SSH or telnet, including centralized management via free PowerAlert software. Connect optional **Environmental Sensors** to monitor temperature, humidity and dry contact devices.

CABLES & CONNECTIVITY

- 10 **Network Cables (Copper and Fiber)**
- 11 **Network Patch Panels (Copper and Fiber)**



Tripp Lite provides a wide range of remote management options for installations of all sizes.



Back Office / Front Office

Typical Environment and Challenges

- **Back Office:** 1 to 3 racks hold workgroup servers, network-attached storage, network hardware and telecommunications systems.
- **Front Office:** Work area includes desktop computers, LCD monitors, peripherals and office equipment.
- Supply reliable power with battery backup.
- Provide supplemental cooling in areas not designed to house IT equipment.
- Manage power and equipment remotely.
- Support PCI-DSS security requirements for credit/debit card processing.
- Protect equipment from damaging surges.
- Prevent data loss and corruption.
- Control multiple computers from a single console.
- Provide additional power outlets away from wall outlets.

RECOMMENDED TRIPP LITE SOLUTIONS

UPS SYSTEMS

- 1 **SmartOnline and SmartPro Single-Phase UPS Systems** provide up to 20kVA of reliable, efficient power with expandable battery backup to keep equipment operating through blackouts and other power problems.
- 2 **Desktop UPS Systems** provide reliable power for computers and electronics. Options include automatic voltage regulation (AVR), LCD status screens, data line protection, energy-saving outlets, free PowerAlert data-saving software and space-saving tower or low-profile cases.

RACKS & COOLING

- 3 **SmartRack Enclosures** come in 12U, 18U, 24U, 25U, 42U, 45U and 48U sizes, with a variety of depths and widths available.
- 4 **Wall-Mount Rack Enclosure Cabinets** protect rack equipment from theft and tampering in remote locations. Locking, ventilated steel cabinets are available in depths optimized for patch panels, network switches, UPS systems and servers. Options include sizes from 2U to 26U, clear acrylic window, black or white powder-coated finish, NEMA cabinets for harsh environments, cooling fans and rolling casters.
- 5 **High-Capacity Cable Managers** organize and secure large quantities of network patch cables. Horizontal models and vertical models with toolless mounting are available.
- 6 **Portable Air Conditioning Units** provide up to 24,000 BTU (7 kW) of close-coupled, plug-and-play cooling. They are self-contained and can be fully installed by IT staff. They can cool a small room or focus cool air on an overheating rack or device through a flexible output duct. An included or optional network accessory enables remote management.

POWER DISTRIBUTION UNITS (PDUs)

- 7 **Network-Grade Rack PDUs** are available with or without current monitoring, remote monitoring/alerts, remote individual outlet control, 3-phase input and built-in ATS.

KVMs, CONSOLES & MANAGEMENT TOOLS

- 8 **IP Console Servers** provide highly secure in-band (primary network) and out-of-band (fail-safe) remote access to serial- and network-connected devices.
- 9 **Rack Console KVM Switches** control multiple servers from a built-in console with a keyboard, touchpad and color LCD monitor that folds and stores in 1U. Available features include IP remote access and space-saving Cat5/UTP cabling.
- 10 **Desktop KVM Switches** control 2 or 4 computers from a single console (keyboard, mouse and monitor).

CABLES & CONNECTIVITY

- 11 **Network Cables (Copper and Fiber)**
- 12 **Network Patch Panels (Copper and Fiber)**
- 13 **Computer, Power and Display Cables** connect computers, storage, displays, peripherals and power.

OTHER SOLUTIONS

- 14 **Surge Protectors** provide convenient outlets and surge/noise protection for anything with a plug.
- 15 **Charging Stations** are available as wall-mountable cabinets and carts. They secure dozens of mobile devices (such as tablets, laptops and Chromebooks) inside a steel enclosure, providing high-speed USB or AC charging, comprehensive protection, clutter-free organization and flexible deployment.
- 16 **Sit-Stand Desks** make it easy to alternate between sitting and standing throughout the day, improving workspace ergonomics, promoting health and increasing productivity. They combine an electric adjustable-height base, digital memory control and a variety of durable and attractive work surfaces.
- 17 **Display Mounts** are compatible with a wide range of LCD monitors and HDTVs. VESA-compliant wall, desk, ceiling, sit-stand, fixed, tilting and full-motion mounts support displays up to 100 in. and 350 lb.



Retail / Point-of-Sale

Typical Environment and Challenges

- Sales floor with POS equipment and digital signage.
- Back-office areas with security, network, transaction processing and other systems for retail operation.
- Provide reliable power and battery backup.
- Organize equipment and cabling in limited space.
- Provide remote device and power management.
- Protect equipment from unauthorized access.
- Comply with PCI-DSS security requirements.
- Connect digital signage sources and displays.
- Charge mobile/handheld POS devices.

RECOMMENDED TRIPP LITE SOLUTIONS

UPS SYSTEMS

- 1 **Desktop UPS Systems** provide reliable power for computers and electronics. Options include automatic voltage regulation (AVR), LCD status screens, data line protection, energy-saving outlets, free PowerAlert data-saving software and space-saving tower or low-profile cases.

RACKS & COOLING

- 2 **Wall-Mount Rack Enclosure Cabinets** protect rack equipment from theft and tampering in remote locations. Locking, ventilated steel cabinets are available in depths optimized for patch panels, network switches, UPS systems and servers. Options include sizes from 2U to 26U, clear acrylic window, black or white powder-coated finish, NEMA cabinets for harsh environments, cooling fans and rolling casters.
- 3 **DVR Lockbox Enclosures** protect DVRs and security recordings from theft, tampering and unauthorized access. For use with rack or non-rack DVRs, the 5U cabinet has a locking door and steel construction. It can be mounted to a wall or configured for tabletop or floor placement.

KVMs, CONSOLES & MANAGEMENT TOOLS

- 4 **Desktop KVM Switches** control 2 or 4 computers from a single console (keyboard, mouse and monitor).

CABLES & CONNECTIVITY

- 5 **Network Cables and Power Cords** provide reliable network and power connections. They connect Ethernet jacks and power outlets to servers, switches and routers in wired and wireless network environments. Solutions include Cat 5e/6/6a network patch cables, fiber and space-saving power cords. Cables are tested to ensure trouble-free operation and compatibility with the latest standards.
- 6 **Computer, Power and Display Cables** connect computers, storage, displays, peripherals and power. Solutions include cables, adapters, extenders, splitters and switches that support a variety of standards, including USB, FireWire®, DVI, HDMI, VGA, DisplayPort, SCSI, SATA, RS-232 serial and AC power.

OTHER SOLUTIONS

- 7 **Surge Protectors** provide convenient outlets and surge/noise protection for anything with a plug.
- 8 **Power Strips** provide convenient outlets without surge protection, in a variety of form factors ideal for demanding commercial environments.
- 9 **Charging Stations** are available as wall-mountable cabinets and mobile carts. They secure dozens of mobile devices (such as tablets, laptops, Chromebooks, smartphones and handheld POS devices) inside a steel enclosure, providing high-speed USB or AC charging, comprehensive protection, clutter-free organization and flexible deployment.
- 10 **Digital Signage Solutions** connect high-resolution HDMI, VGA, DVI, DisplayPort and component video sources to distant displays, with or without audio and control signals. Solutions include direct-connect cables, over Cat5 (UTP) extenders, HDBaseT extenders, over IP extenders, switches, splitters, adapters, Cat5/6/6a cabling, patch panels, wall plates, keystone jacks, tools and testers.
- 11 **Sit-Stand Desks** make it easy to alternate between sitting and standing throughout the day, improving workspace ergonomics, promoting health and increasing productivity. They combine an electric adjustable-height base, digital memory control and a variety of durable and attractive work surfaces. Users can customize height settings for personal comfort and save preferences with the digital memory control, which is especially helpful in shared workspaces.
- 12 **Sit-Stand Workstations** convert fixed-height desks to make it easy to alternate between sitting and standing throughout the day, improving workspace ergonomics, promoting health and increasing productivity. They provide stability in every position, yet adjust with a single touch. Three different styles suit a range of applications and preferences.
- 13 **Display Mounts** are compatible with a wide range of LCD monitors and HDTVs. VESA-compliant wall, desk, ceiling, sit-stand, fixed, tilting and full-motion mounts support displays up to 100 in. and 350 lb.



Remote Network Cabinet

Typical Environment and Challenges

- Wall-mount cabinet houses network hardware in a location not designed for IT installations.
- Organize equipment and cabling in limited space.
- Provide reliable power and battery backup.
- Protect equipment from unauthorized access.
- Comply with PCI-DSS security requirements.

RECOMMENDED TRIPP LITE SOLUTIONS

UPS SYSTEMS

- 1 Network/Server UPS Systems** provide reliable, efficient power to keep equipment operating through outages. A variety of models fit in wall-mount rack cabinets.

RACKS & COOLING

- 2 Wall-Mount Rack Enclosure Cabinets** protect rack equipment from theft and tampering in remote locations. Locking, ventilated steel cabinets are available in depths optimized for patch panels, network switches, UPS systems and servers. Options include sizes from 2U to 26U, clear acrylic window, black or white powder-coated finish, NEMA cabinets for harsh environments, cooling fans and casters.

- 3 Caster Kits** enable floor-standing applications.

KVMs, CONSOLES & MGMT. TOOLS

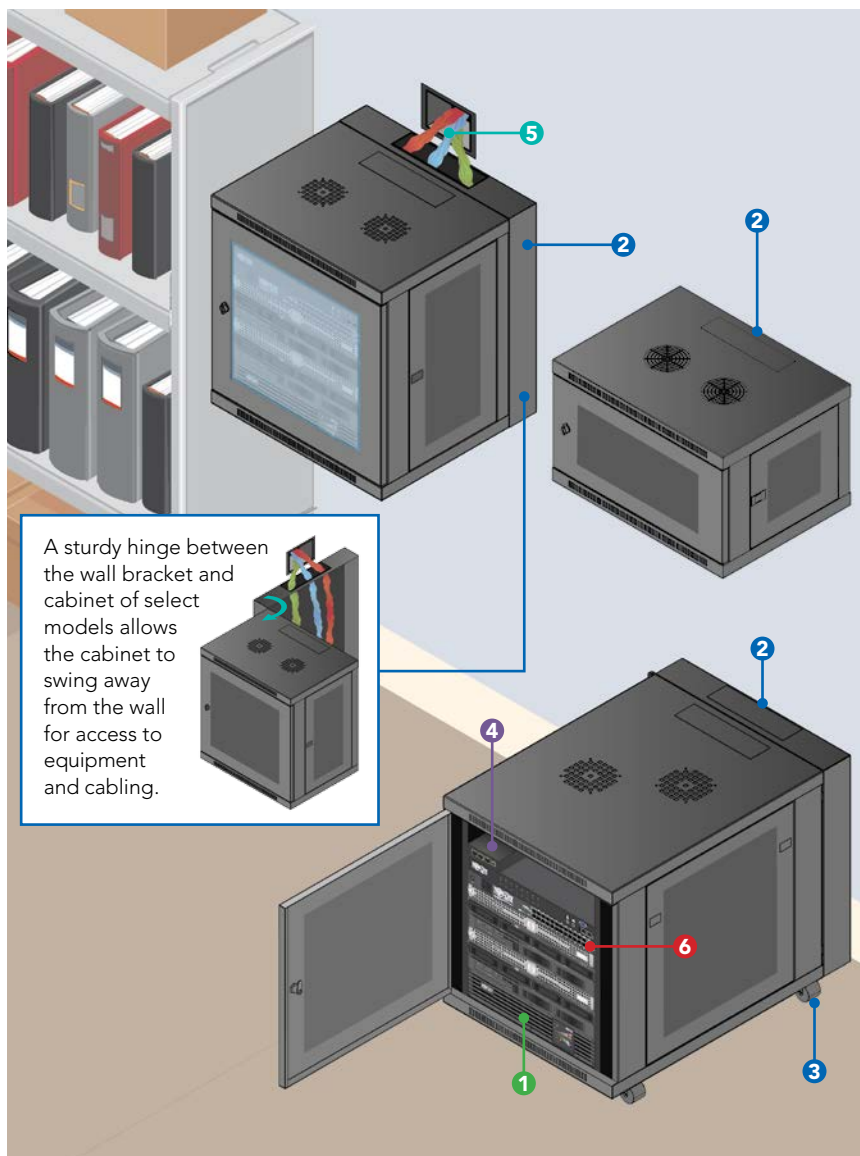
- 4 IP Console Servers** provide highly secure in-band (primary network) and out-of-band (fail-safe) remote access to serial- and network-connected devices, including servers, routers and network switches. Compact models do not require rack space.

CABLES & CONNECTIVITY

- 5 Copper and Fiber Network Cables**

OTHER SOLUTIONS

- 6 Network Switch/PDU Combos** include up to 24 Gigabit Ethernet ports and 12 outlets in 1U.



solutions@tripplite.com | 888.447.6227 | www.tripplite.com/solutions

Distributed By:



Tripp Lite World Headquarters
1111 W. 35th Street, Chicago, IL 60609