

Installation and Operation Manual

---

## **IMPORTANT SAFETY INSTRUCTIONS SAVE THESE INSTRUCTIONS**

---

This manual contains important instructions that you should follow during installation and operation. Please read all instructions before operating the equipment and save this manual for future reference.

---

---

## **CONSIGNES DE SÉCURITÉ IMPORTANTES – CONSERVER CES INSTRUCTIONS**

---

Ce manuel comporte des instructions importantes que vous êtes invité à suivre lors de toute procédure d'installation. Veuillez consulter entièrement ces instructions avant de faire fonctionner l'équipement et conserver ce manuel afin de pouvoir vous y reporter ultérieurement.

---



### **IMPORTANT**

---

To ensure you have the most up-to-date content and information for this product, please review the latest manual revision on our website, [www.eaton.com](http://www.eaton.com).

---

Eaton reserves the right to change specifications without prior notice. Modbus is a registered trademark of Schneider Automation, Inc. MOXA is a registered trademark and MGate is a trademark of MOXA, Inc. Spiralock is a registered trademark of Spiralock Corporation. KIRK is a registered trademark of Kirk Key Interlock company, LLC, a subsidiary of Halma plc. National Electrical Code and NEC are registered trademarks of National Fire Protection Association, Inc. ERIFLEX and FLEXIBAR are registered trademark of Erico International Corporation. All other trademarks are property of their respective companies.

©Copyright 2015-2021 Eaton, Raleigh, NC, USA. All rights reserved. No part of this document may be reproduced in any way without the express written approval of Eaton.

## EATON END-USER LICENSE AGREEMENT

IMPORTANT, READ CAREFULLY. THIS END USER LICENSE AGREEMENT (THE "AGREEMENT") IS A BINDING CONTRACT BETWEEN YOU, THE END-USER (THE "LICENSEE") AND EATON INTELLIGENT POWER LIMITED, IRELAND, OR ONE OF ITS AFFILIATES ("EATON" OR "LICENSOR"), BY OPERATING THIS UNINTERRUPTIBLE POWER SUPPLY (UPS) PRODUCT INCLUDING SOFTWARE EMBEDDED IN IT (FIRMWARE), YOU, THE LICENSEE, ARE AGREEING TO BE BOUND BY THE TERMS, CONDITIONS, AND LIMITATIONS OF THIS AGREEMENT. READ THE TERMS AND CONDITIONS OF THIS AGREEMENT CAREFULLY BEFORE, INSTALLING OR OPERATING THE PRODUCT. IF YOU DO NOT AGREE TO THE TERMS OF THIS AGREEMENT, PROMPTLY RETURN THE UNUSED PRODUCT TO EATON.

### 1.0 DEFINITIONS

**1.1 Documentation.** "Documentation" means the user guides and manuals for the installation and use of the UPS, whether made available over the internet, provided in CD-ROM, DVD, hard copy or other form.

**1.2 Firmware.** "Firmware" means software programs that are embedded in the product for which Licensee is granted a license hereunder, the Documentation therefore and, to the extent available, Updates thereto. The Firmware is licensed hereunder in object code (machine-readable) form only except that certain software programs may include limited portions in source code (human-readable) form.

**1.3 Update.** "Update" means a subsequent release of the Firmware, if and when developed by Eaton. An Update does not include any release, new version, option, or future product, which Eaton licenses separately.

### 2.0 FIRMWARE LICENSE

**2.1 Ownership.** Eaton or its third party licensors retains all title, copyright and other proprietary rights in, and ownership of the Firmware regardless of the media upon which the original or any copy may be recorded or fixed.

**2.2 License Grant.** Eaton grants to Licensee a limited, revocable, non-exclusive, non-assignable license to use the Firmware in conjunction with the operation of the product to which the Firmware pertains or other products as described by Eaton in the Documentation. Licensee does not acquire any rights, express or implied, other than those expressly granted in this Agreement.

**2.3 Restrictions and Requirements.** Licensee will not, nor will it permit others to, modify, adapt, translate, reverse engineer, decompile, or disassemble the Firmware or any component thereof (including the Documentation), or create derivative works based on the Firmware (including the Documentation), except to the extent such foregoing restriction is prohibited by applicable law or applicable open source license to, and only to, any open source software component that is incorporated into the Firmware (if any). Copyright laws and international treaties protect the Firmware, including the Documentation. Unauthorized copying of the Firmware, the Documentation or any part thereof, is expressly prohibited. For avoidance of doubt, Eaton does not grant Licensee a license to any of Eaton's brands, logos, designs, trade dress, service marks, trademarks, domain names or trade names, in whole or in part. Licensee agrees to install or allow installation of all corrections of substantial defects, security patches, minor bug fixes and updates, including any enhancements, for the Firmware in accordance with the instructions and as directed by Eaton.

**2.4 Transfer and Assignment Restrictions.** Licensee will not sell, resell, assign, lease, sublicense, encumber, or otherwise transfer its interest in this Agreement or in the Firmware, or the Documentation in whole or in part, or allow any other person or entity, including any parent or subsidiary of Licensee or other subsidiary of Licensee's parent, to copy, distribute, or otherwise transfer the Firmware without the prior written consent of Eaton. Licensee may transfer the Firmware directly to a third party only in connection with the sale of the Eaton product in which it is installed.

### 3.0 TERMINATION

**3.1 Termination.** This Agreement and the license granted hereunder automatically terminates if Licensee breaches any provision of this Agreement. Eaton may terminate this license at any time with or without cause.

**3.2 Effect of Termination.** Immediately upon termination of this Agreement or the license granted hereunder, Licensee will cease using the product. The parties' rights and obligations under the following sections of this Agreement will survive termination of this Agreement: Article 1.0, Section 2.1, Section 2.3, Section 2.4, Article 3.0, Article 4.0 and Article 5.0.

### 4.0 INFRINGEMENT AND WARRANTIES

**4.1 Infringement.** If Licensee learns of a threat, demand, allegation, or indication that the UPS with its firmware infringes or misappropriates any third party intellectual property rights (including but not limited to any patent, copyright, trademark, trade dress, or trade secret) ("Intellectual Property Claim"), Licensee will notify Eaton promptly of such claim. Eaton may, in its sole discretion, elect to assume sole control of the defense and settlement of said Intellectual Property Claim and Licensee will provide reasonable information and assistance to Eaton for the defense of such claim.

**4.2 Disclaimer of Warranties.** THE FIRMWARE IS PROVIDED "AS IS" WITHOUT WARRANTY OF ANY KIND, EATON DOES NOT WARRANT THAT THE FIRMWARE WILL BE ERROR-FREE OR SECURE FROM UNAUTHORIZED ACCESS. THE LICENSEE EXPRESSLY ACKNOWLEDGES THAT TO THE EXTENT PERMITTED BY APPLICABLE LAW, THE USE OF THE PRODUCT IS AT LICENSEE'S SOLE RISK.

### 5.0 GENERAL PROVISIONS

**5.1 Update Policy.** Eaton may from time to time, but has no obligation to, create Updates of the Firmware or components thereof.

**5.2 Limitation on Liability.** NOTWITHSTANDING ANY PROVISION OF THIS AGREEMENT TO THE CONTRARY, LICENSEE EXPRESSLY UNDERSTANDS AND AGREES THAT EATON, ITS AFFILIATES, AND ITS LICENSORS, WILL NOT BE LIABLE FOR: (A) ANY DIRECT, INDIRECT, INCIDENTAL, SPECIAL, CONSEQUENTIAL OR EXEMPLARY DAMAGES WHICH MAY BE INCURRED BY LICENSEE OR ANY THIRD PARTY, HOWEVER CAUSED AND UNDER ANY THEORY OF LIABILITY THIS WILL INCLUDE, BUT NOT BE LIMITED TO, ANY LOSS OF PROFIT (WHETHER INCURRED DIRECTLY OR INDIRECTLY), ANY LOSS OF GOODWILL OR BUSINESS REPUTATION, ANY LOSS OF DATA SUFFERED, COST OF PROCUREMENT OF SUBSTITUTE GOODS OR SERVICES, OR OTHER INTANGIBLE LOSS; (B) ANY LOSS OR DAMAGE WHICH MAY BE INCURRED BY LICENSEE OR ANY THIRD PARTY. THESE LIMITATIONS ON EATON'S LIABILITY WILL APPLY WHETHER OR NOT EATON HAS BEEN ADVISED OF OR SHOULD HAVE BEEN AWARE OF THE POSSIBILITY OF ANY SUCH LOSSES ARISING.

TO THE EXTENT PERMITTED BY LAW, THE TOTAL LIABILITY OF EATON, ITS AFFILIATES, AND ITS LICENSORS, FOR ANY CLAIMS UNDER THESE TERMS, INCLUDING FOR ANY IMPLIED WARRANTIES, IS LIMITED TO THE AMOUNT PAID FOR THE UPS.

THIS SECTION 5.2 STATES EATON'S ENTIRE LIABILITY AND LICENSEE'S SOLE AND EXCLUSIVE REMEDY UNDER THIS AGREEMENT, AND IS SUBJECT TO ALL LIMITATIONS STATED IN SECTION 4.2.

**5.3 Notices.** All notices required to be sent hereunder will be in writing and will be deemed to

have been given when mailed by first class mail to the address shown below:

LICENSE NOTICES:  
Eaton Intelligent Power Limited  
Eaton House,  
30 Pembroke Road,  
Dublin 4,  
D04 Y0C2,  
Ireland

**5.4 Severability.** If any provision of this Agreement is held to be invalid or unenforceable, the remaining provisions of this Agreement will remain in full force.

**5.5 Waiver.** The waiver by either party of any default or breach of this Agreement will not constitute a waiver of any other or subsequent default or breach. Failure to enforce or delay in enforcing any provision of this Agreement will not constitute a waiver of any rights under any provisions of this Agreement.

**5.6 Entire Agreement.** This Agreement constitutes the complete agreement between the parties and supersedes all prior or contemporaneous agreements or representations, written or oral, concerning the subject matter of this Agreement. This Agreement may not be modified or amended except in a writing specifically referencing this Agreement and signed by a duly authorized representative of each party. No other act, document, usage or custom will be deemed to amend or modify this Agreement. The Firmware, or portions thereof, may also be subject to additional paper or electronic license agreements. In such cases, the terms of this Agreement will be supplemental to those in the additional agreements, to the extent not inconsistent with the additional agreements. If a copy of this Agreement in a language other than English is included with the Firmware or Documentation, it is included for convenience and the English language version of this Agreement will control.

**5.7 Heirs, Successors, and Assigns.** Each and all of the covenants, terms, provisions and agreements herein contained will be binding upon and inure to the benefit of the parties hereto and, to the extent expressly permitted by this Agreement, their respective heirs, legal representatives, successors and assigns.

**5.8 Export Restrictions.** Licensee agrees to comply fully with all relevant export laws and regulations of the United States and all other countries in the world (the "Export Laws") to assure that neither the Firmware nor any direct product thereof are (i) exported, directly or indirectly, in violation of Export Laws; or (ii) are intended to be used for any purposes prohibited by the Export Laws. Without limiting the foregoing, Licensee will not export or re-export the Firmware: (i) to any country to which the U.S. has embargoed or restricted the export of goods or services (see <http://www.treasury.gov/resource-center/sanctions/Programs/Pages/Programs.aspx>), or to any national of any such country, wherever located, who intends to transmit or transport the Firmware back to such country; (ii) to any end user who Licensee knows or has reason to know will utilize the Firmware in the design, development or production of nuclear, chemical or biological weapons; or (iii) to any end-user who has been prohibited from participating in U.S. export transactions by any federal agency of the U.S. government.

**5.9 U.S. Government Restricted Rights.** The Firmware is a "commercial item" as that term is defined at 48 C.F.R. § 2.101, consisting of "commercial computer software" and "commercial computer software documentation", as such terms are used in 48 C.F.R. § 12.212, and is provided to the U.S. Government only as a commercial end item. Consistent with 48 C.F.R. § 12.212 and 48 C.F.R. §§ 227.7202-1 through 227.7202-4, all U.S. Government End Users acquire the Firmware with only those rights set forth herein. Contractor/manufacturer is Eaton Corporation, 1000 Eaton Boulevard, Cleveland, Ohio 44122.

**5.10 Third Party Intellectual Property Rights.** The Firmware may contain components (including open source software components) that are owned by third parties ("Third Party Licensors") and are provided with, incorporated into, or embedded in, the Firmware pursuant to license arrangements between Eaton and such third parties. Third Party Licensor components in the Firmware are not licensed or warranted under the terms of this document, but are instead subject to the Third Party Licensors' license agreements. Licensee will not modify, delete, or obfuscate any copyright or other proprietary rights notices of Third Party Licensors contained in the Firmware.

**5.11 Indemnity.** Licensee shall defend, indemnify and hold Eaton and its officers, directors, employees, and agents harmless from and against all losses, damages, liabilities, claims, actions, and associated costs and expenses (including reasonable attorneys' fees and expenses) by reason of injury or death to any person or damage to any tangible or intangible property arising or resulting from the negligence or willful misconduct of the Licensee, its employees, contractors, or agents, in connection with Licensee's use of Firmware and Documentation.

Licensee shall be responsible for any breach of this Agreement by its officers, directors, employees, contractors, or agents. Licensee shall defend, indemnify, and hold Eaton and its officers, directors, employees, and agents harmless from and against any and all losses, damages, liabilities, claims, actions, and associated costs and expenses (including reasonable attorneys' fees and expenses) arising out of or in connection with any breach of this Agreement.

**5.12 Open Source Software.** The Firmware may contain certain components owned by Eaton that are provided with, incorporated into, linked to, or embedded in the Firmware that are subject to third party open source licenses ("Eaton Open Source Components"). Eaton Open Source Components are subject to the open source licenses corresponding to the particular software component. To the extent there are any conflicts between the terms of this Agreement and any open source license corresponding to Eaton Open Source Components or additional obligations by such open sources license that are not set forth in this Agreement, the terms of the open source license will control.

**5.13 Confidentiality.** Licensee acknowledges that confidential aspects of the Firmware (including any proprietary source code) are a trade secret of Eaton, the disclosure of which would cause substantial harm to Eaton that could not be remedied by the payment of damages alone and such confidential aspects of the Firmware shall not be disclosed to third parties without the prior written consent of Eaton. Accordingly, Eaton will be entitled to preliminary and permanent injunctive and other equitable relief for any breach of this Section 5.13.

**5.14 Note on JAVA Support.** The Firmware may contain support for programs written in JAVA. JAVA technology is not fault tolerant and is not designed, manufactured, or intended for use or resale as online control equipment in hazardous environments requiring fail-safe performance, such as in the operation of nuclear facilities, aircraft navigation or communications systems, air traffic control, direct life support machines, or weapons systems, in which the failure of JAVA technology could lead directly to death, personal injury, or severe physical or environmental damage. EATON DISCLAIMS ALL DAMAGES INCLUDING DIRECT, INDIRECT AND CONSEQUENTIAL DAMAGES RELATING TO THE FAILURE OF ANY SOFTWARE INCLUDING JAVA PROGRAMS AND/OR JAVA TECHNOLOGY.

**5.15 Governing Law.** This Agreement will be interpreted and enforced in accordance with the laws of Ireland, without regard to choice of law principles. Any claim or suit with respect to this Agreement shall be brought in the Courts of Ireland, unless mandatory law imposes otherwise.

Eaton EULA



# Table of Contents

<b>Eaton Remote Monitoring Device .....</b>	<b>1</b>
Introduction.....	1
Installation .....	2
Network Card Installation.....	2
Network Card Configuration .....	2
PXG Card Configuration.....	2
Network-M2 Card Configuration (EMEA Region/Sites Only) .....	3
RMD Installation .....	3
Operation .....	6
RMD Components .....	6
Display Screen Sections .....	6
Powering the RMD.....	7
Silencing the Audible Alarm.....	7
System Events .....	7
For More Information .....	11
Getting Help.....	11
Equipment Registration .....	11

Table of Contents

# Eaton Remote Monitoring Device

## Introduction

The Eaton® Remote Monitoring Device (RMD) is designed for use with various Eaton UPS systems. The RMD includes a status display screen and a local audible alarm, allowing monitoring of the operational status and alarm condition of the UPS from virtually any location within the facility, up to 300 feet from the UPS. It will display the general state of the UPS and key metrics, such as battery charge and available runtime when on battery.



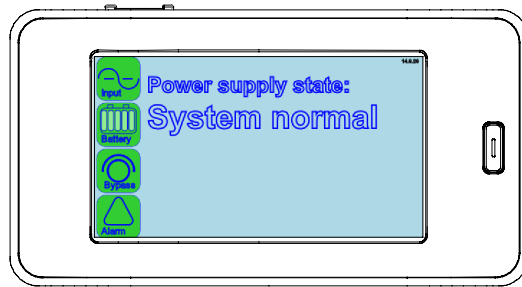
### NOTE

The RMD is not a full remote display and does not offer any control or operation capability.

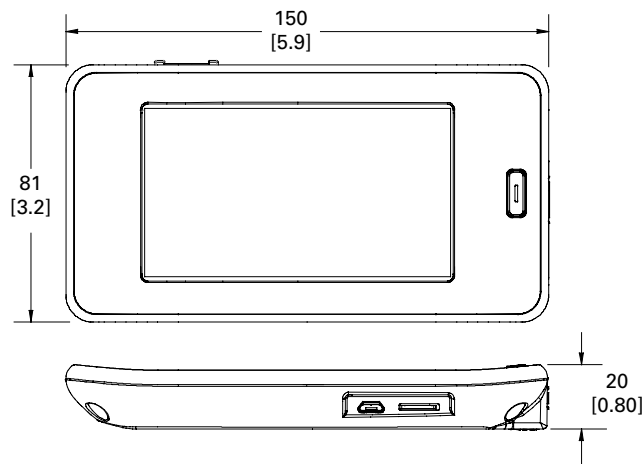
The RMD is housed in small plastic case with a separate battery charger cord that can be placed on a desk or wall mounted.

[Figure 1](#) shows the RMD and [Figure 2](#) the RMD dimensions. The Wall Mounting Bracket is shown in [Figure 3](#).

**Figure 1. Eaton Remote Monitoring Device**

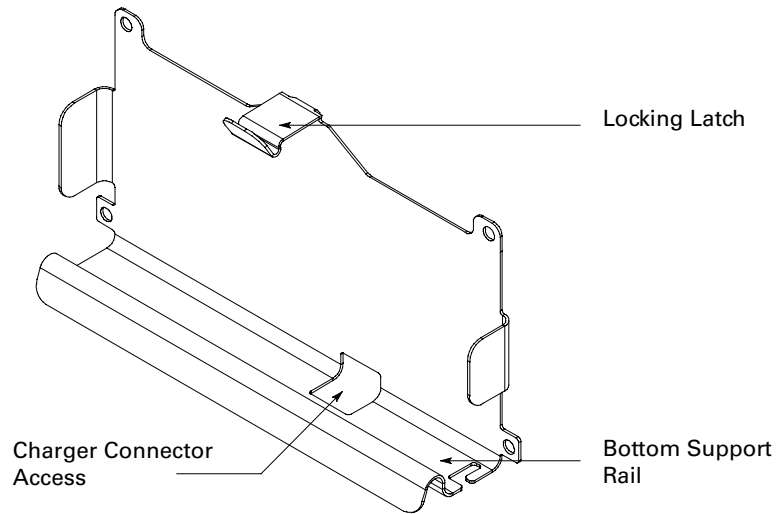


**Figure 2. RMD Dimensions**



Dimensions are in millimeters [inches]

**Figure 3. RMD Wall Mounting Bracket**



## Installation

This section describes how to install the RMD.

### Network Card Installation



**NOTE**

A Power Xpert® Gateway Minislot (PXG) card or Power Xpert Gateway Xslot (PXGX) card must be installed in the UPS to use the RMD.

Install the PXG card into the UPS Minislot or the PXGX card into the UPS Xslot. Refer to the applicable Eaton UPS Installation and Operation manual (see [For More Information](#)) for the slot type, location and wiring access information and the applicable Eaton Power Xpert Gateway User's Guide supplied with the card for installation and user instructions. For installation and setup of a PXG card, contact an Eaton service representative (see [Getting Help](#)).

### Network Card Configuration

#### PXG Card Configuration

To establish communication between the PXG card and the RMD, the PXG card network must be statically configured as a private Class C network.

To set up the PXG card:

1. Update the PXG card firmware to the latest version using the Power Xpert Gateway interface.
2. Download the powerxpert.inf file to provide USB driver support for the Linux USB Ethernet/RNDIS Gadget on Windows 7 or XP from the Eaton website at:

<http://www.eaton.com/Eaton/ProductsServices/Electrical/ProductsandServices/PowerQualityandMonitoring/NetworkingHardware/PXG/index.htm>



3. Install the powerxpert.inf onto a laptop computer in accordance with the procedures outlined in the applicable Eaton Power Xpert Gateway User's Guide supplied with the card.
4. Connect the USB port on the laptop to the microUSB port on the PXG card using a USB cable with a microUSB connector on one end. Communication is established via IP address 192.168.200.101. Once established scroll down to **Configuration > Network** and modify the Network Configuration of the PXG card to the values listed below:

IP Address = **192.168.1.1**

Netmask = **255.255.255.0**

Gateway = **192.168.1.254**

5. Proceed to [RMD Installation](#).

### Network-M2 Card Configuration (EMEA Region/Sites Only)

To set up the Network-M2 card:

1. Upgrade the Network-M2 card to the latest firmware revision.



**NOTE** The minimum required firmware level is **v2.0.5**.

---

2. Create a dedicated ViewUPS user account.
  - Settings => Local Users => New
    - Active = **Yes**
    - Profile = **Viewer**
    - Username = **ViewUPS**
    - Password = **View-UPS1**
3. Configure the network settings.
  - Settings => Network & Protocol => IPv4
    - Mode = **Manual**
    - IP Address = **192.168.1.1**
    - Netmask = **255.255.255.0**
    - Gateway = **192.168.1.2**
  - Settings => Network & Protocol => IPv6
    - Enabled = **Inactive**
4. Proceed to [RMD Installation](#).

### RMD Installation

If desk mounting:

1. Route the Cat5 network cable from the UPS PXG card to the RMD.
2. Connect the Cat5 cable to the RJ45 Ethernet connector on the RMD (see [Figure 4](#)).
3. Connect the Cat5 cable to the RJ45 Ethernet connector on the PXG card. Refer to the applicable Eaton UPS Installation and Operation manual for the UPS card slot location and wiring access information (see [For More Information](#)).

**NOTE**

Ensure the Status indicator of the PXG card is illuminated (this may take approximately two minutes) before plugging in the RMD power source.

---

4. After the Status indicator of the PXG card has illuminated, connect the charger cord micro USB connector to the micro USB connector on the RMD (see [Figure 4](#)). Connect the transformer side of the charger cord to a 120 Vac service outlet. The RMD should start automatically with the Eaton logo being displayed. Then the power pushbutton on the front of the RMD will illuminate green and the current status of the UPS should be displayed. If the display does not start, let the battery charge for 30 minutes and start manually (see [Powering the RMD](#)).

If wall mounting:

1. Attach the wall mounting bracket to a wall at the desired location. Use the mounting holes in the bracket as a template to drill holes. Use hardware applicable to the surface that the bracket is being mounted on to secure the bracket to the wall.
2. Mount the RMD in the bracket by placing the bottom edge of the RMD into the bracket bottom rail support and then snapping the top edge under the locking latch (see [Figure 3](#)).
3. Route the Cat5 network cable from the UPS PXG card to the RMD.
4. Connect the Cat5 cable to the RJ45 Ethernet connector on the RMD (see [Figure 4](#)).
5. Connect the Cat5 cable to the RJ45 Ethernet connector on the PXG card. Refer to the applicable Eaton UPS Installation and Operation manual for the UPS Minislot location and wiring access information (see [For More Information](#)).

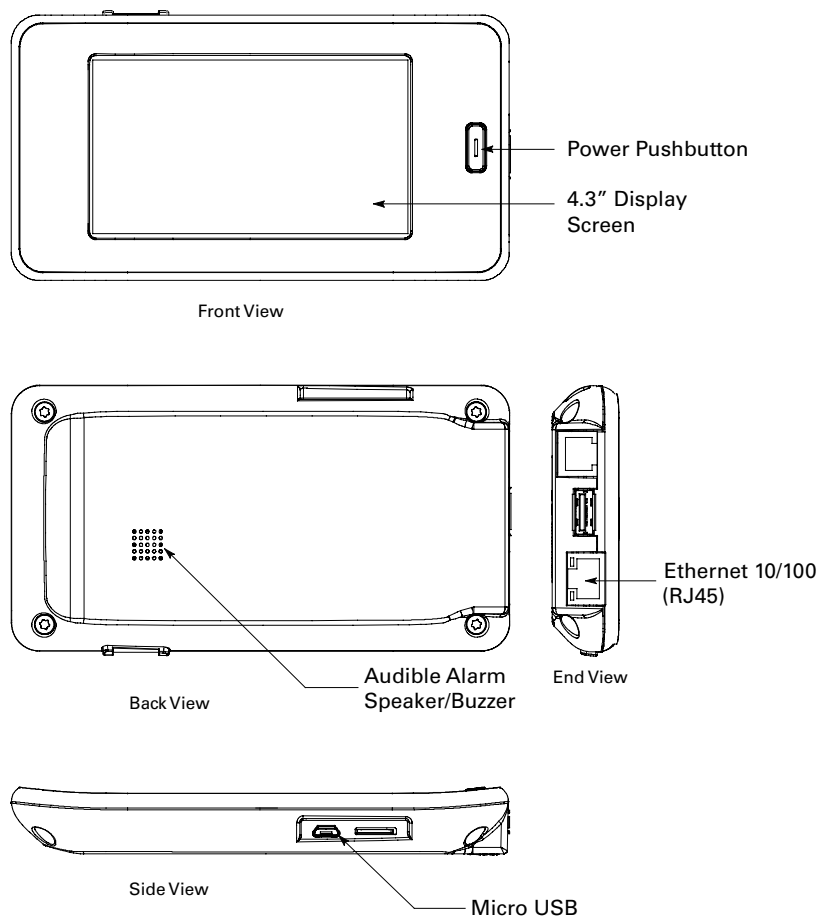
**NOTE**

Ensure the Status indicator of the PXG card is illuminated (this may take approximately two minutes) before plugging in the RMD power source.

---

6. After the Status indicator of the PXG card has illuminated, connect the charger cord micro USB connector to the micro USB connector on the RMD (see [Figure 4](#)). Connect the transformer side of the charger cord to a 120 Vac service outlet. The RMD should start automatically with the Eaton logo being displayed. Then the power pushbutton on the front of the RMD will illuminate green and the current status of the UPS should be displayed. If the display does not start, let the battery charge for 30 minutes and start manually (see [Powering the RMD](#)).

Figure 4. Location of RMD Components



## Operation

This section describes how to operate the RMD.

### RMD Components

The components identified and described in this section are used to connect and operate the RMD.

- **4.3" Display Screen** – shows UPS status
- **Power Pushbutton** – turns the RMD on (press and hold for 3 seconds) and off (press and hold for 11 seconds) and is used to silence the audible alarm
- **Audible Alarm** – the alarm sounds to alert an operator that an event needing attention is taking place. To silence the audible alarm, press the power button momentarily (see [Figure 4](#))
- **Micro USB Connector** – connects the external charger to RMD internal battery
- **Ethernet Connector** – connects the RMD to the UPS PXG card

[Figure 4](#) shows the location of the RMD components.

### Display Screen Sections

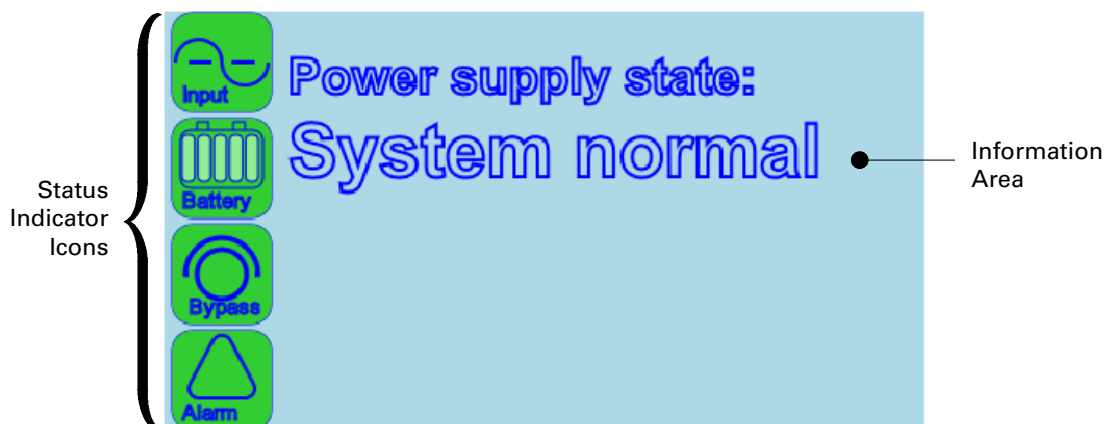
The display consists of two sections, a status indicator section on the left side of the screen and an information area to the right of the status indicators that displays operational messages. The status indicator icons display as green, yellow, or red depending on the status of the UPS. [Figure 5](#) shows the display screen sections.

- **Input** – This icon shows the state of the incoming power. It is green if the power is available and good. If it turns yellow the voltage or frequency of the electrical power is not within acceptable limits.
- **Battery** – This icon shows the state of the energy storage and charge percent. Each bar of the Battery icon represents a predefined percentage of the total energy as follows: if five bars are shown the energy charge is between 90-100%; if four bars are shown the charge is between 70-89%; if three bars are shown the charge is between 50-69%; if two bars are shown the charge is between 30-49%; if one bar is shown the charge is between 10-29%; if no bars are shown the charge is 9% or less. In case the input power fails, and the UPS goes on battery, this icon will turn yellow. When the battery is almost depleted and there are only a few minutes of runtime left the icon will turn red.

Battery Icon	
Number of Bars Displayed	Energy Charge
Five	90-100%
Four	70-89%
Three	50-69%
Two	30-49%
One	10-29%
None	9% or less

- **Bypass** – Under normal operation this icon should remain green. If it changes to yellow, the UPS is on bypass and is not able to provide battery backup.
- **Alarm** – Under normal operation this icon should remain green. If it changes to yellow or red, there may be an issue with the UPS. Check the UPS and its local display for details.

Figure 5. Display Screen Sections



## Powering the RMD



### NOTE

The PXG card must be setup and running in the UPS before starting the RMD. If powered up together the RMP may not establish communication.

To turn the RMD on press and hold the power pushbutton on the front of the RMD (see [Figure 4](#)) for three seconds. The RMD should start with the Eaton logo being displayed. Then the power pushbutton on the front of the RMD will illuminate green and the screen shown in [Figure 5](#) should be displayed. If the display does not start, let the battery charge for 30 minutes.

To turn the RMD off press and hold the power pushbutton on the front of the RMD for approximately 11 seconds.

If a white screen is displayed on the RMD after the UPS is turned on, press and hold the power pushbutton on the front of the RMD for 15 seconds (while the power cable is plug in) and the RMD will subsequently establish communication with the PXG card.

## Silencing the Audible Alarm

To silence the audible alarm, press the power button momentarily.

## System Events

The following paragraphs describe the typical information that can be displayed on the RMD screen.

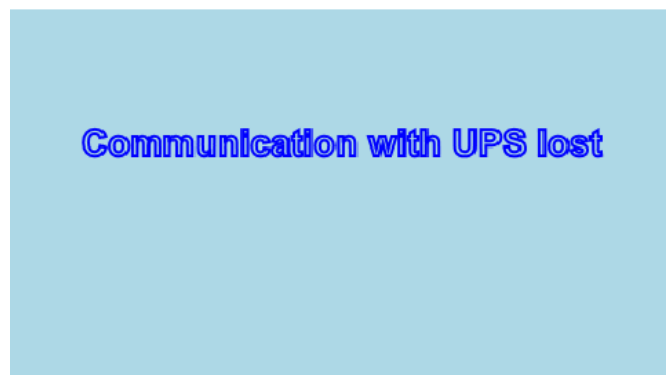
**Communications Fault Screen** – If a communication issue occurs between the RMD and the UPS the message shown in [Figure 6](#) will be displayed. Check the state of the Ethernet 10/100 (RJ45) connection examine both LEDs on the RMD. One represents Activity (ACT) and the other represents the speed (10/100) at which that activity is occurring. Specifically, network communication is occurring when the green ACT indicator is blinking. If this indicator is not illuminated then there is no network activity. The other LED represents the speed of the network connection. If this indicator is illuminated yellow then that indicates a valid 100 Mb connection. If this indicator is not illuminated it indicates a valid 10 Mb connection as long as the corresponding ACT is blinking green.

If the Activity LED on the RMD is not blinking green, check that the network cable is the correct type and securely connected to the Ethernet 10/100 port for both the PXG card and the RMD.

If the network cable is securely connected to both the PXG card and the RMD, and display on the RMD is completely white (i.e. no communication), communication can be reattempted. To re-establish communication:

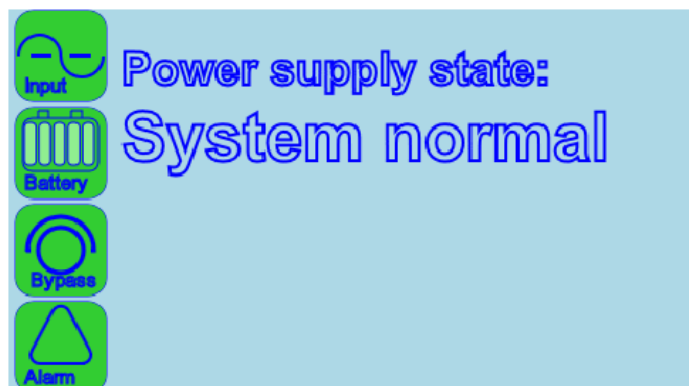
1. Unplug the microUSB power connection from the RMD.
2. Turn the RMD off by holding the power pushdown switch down for 11 seconds.
3. Remove and re-seat the PXG card within the mini-slot and waiting approximately two minutes until the Status indicator is illuminated.
4. Once illuminated, turn the RMD back on by re-inserting the microUSB power connection into the RMD. After 55 seconds check to see if communication has been established with between the PXG card and the RMD.

**Figure 6. Communication Error Screen**



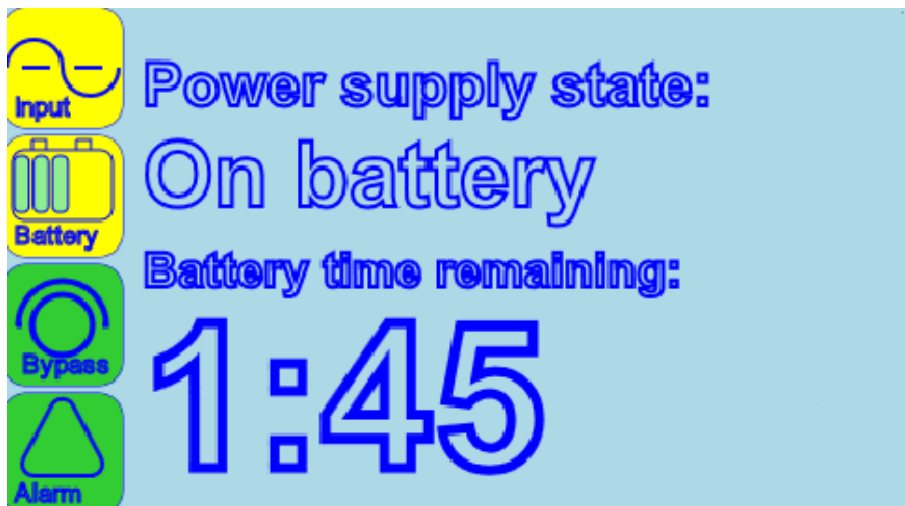
**Normal Screen** – When the UPS is operating normally with full load protection, the information area will display **System normal** and all status indicators will be illuminated green as shown in [Figure 7](#).

**Figure 7. Normal Screen**



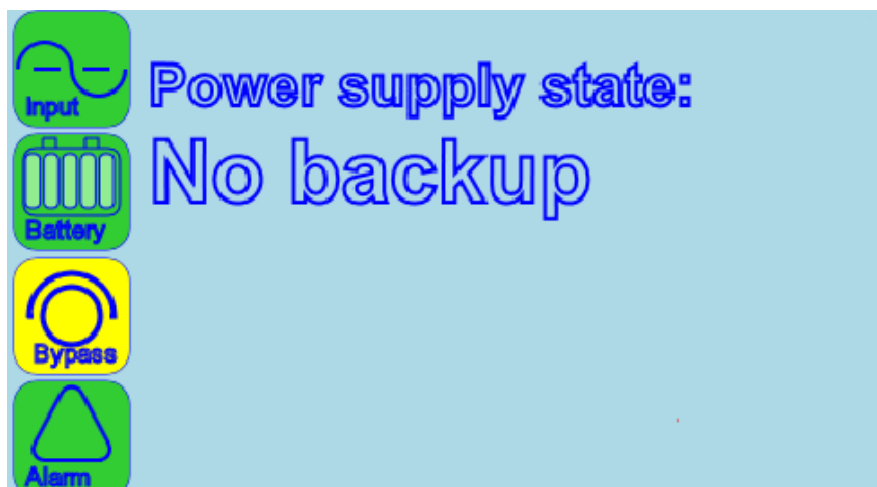
**On Battery Screen** – When the UPS is on battery, the status indicators will be displayed as shown in [Figure 8](#). The information area will display the remaining backup time in minutes and seconds. Both the Input and Battery icons are illuminated yellow due to loss of input power while the UPS is on battery.

**Figure 8. On Battery Screen**



**On Bypass Screen** – When the UPS is on bypass, the status indicators and information area will be displayed as shown in [Figure 9](#). The critical load is supported by the bypass source.

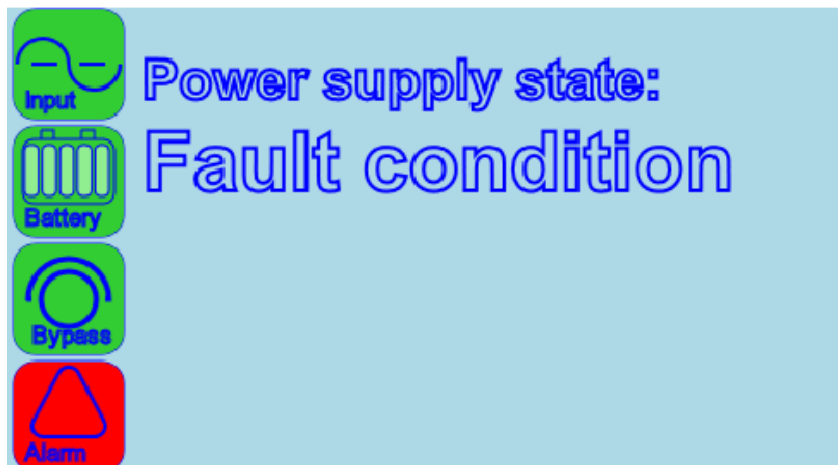
**Figure 9. On Bypass Screen**



**Fault Condition Screen** – When a fault condition occurs the status indicators and information area will be displayed as shown in [Figure 10](#) and indicates the UPS has an active alarm and requires immediate attention. If this occurs, check the state of the UPS and if necessary contact service as the UPS may not be able to provide backup power.

All alarms are accompanied by an audible signal. To silence the audible signal, press the power button momentarily (see [Figure 4](#)). The Alarm status indicator may be illuminated along with other indicators.

**Figure 10. Fault Condition Screen**





## For More Information

Refer to the applicable Eaton UPS Installation and Operation manual for the UPS card slot location and wiring access information.

Visit [www.eaton.com/powerquality](http://www.eaton.com/powerquality) or contact an Eaton service representative for information on how to obtain copies of your manuals.

## Getting Help

If help is needed with any of the following:

- Scheduling initial startup
- Regional locations and telephone numbers
- A question about any of the information in this manual
- A question this manual does not answer

Please call the Help Desk at:

United States:	<b>1-800-843-9433</b>
Canada:	<b>1-800-461-9166 ext 260</b>
All other countries:	<b>Call your local service representative</b>

Please use the following e-mail address for manual comments, suggestions, or to report an error in this manual:

**E-ESSDocumentation@eaton.com**

## Equipment Registration

Please visit [www.eaton.com/pg/register](http://www.eaton.com/pg/register) to register your new Eaton UPS / Eaton UPS Accessory.

**Model Number:**

---

**Serial Number:**

---



P-164000516 04