

# OptiPlex Small Form Factor

## Cable Cover and Dust Filter Installation Guide

## Notes, cautions, and warnings

 **NOTE:** A NOTE indicates important information that helps you make better use of your product.

 **CAUTION:** A CAUTION indicates either potential damage to hardware or loss of data and tells you how to avoid the problem.




 **WARNING:** A WARNING indicates a potential for property damage, personal injury, or death.

# Contents

<b>Chapter 1: Before you begin</b> .....	<b>4</b>
<b>Chapter 2: OptiPlex Small Form Factor Cable Cover</b> .....	<b>5</b>
<b>Chapter 3: OptiPlex Small Form Factor Dust Filter</b> .....	<b>9</b>
<b>Chapter 4: After you install</b> .....	<b>12</b>
<b>Chapter 5: Getting help</b> .....	<b>13</b>
Contacting Dell.....	13

# Before you begin

## Steps

1. Save and close all open files and exit all open applications.
2. Shut down your computer: Click **Start** >  **Power** > **Shut down**.
  -  **NOTE:** If you are using a Linux operating system, see the documentation of your operating system for shut-down instructions.
3. Disconnect your computer and all attached devices from their electrical outlets.
4. Disconnect all attached network devices and peripherals, such as keyboard, mouse, and monitor from your computer.
  -  **CAUTION:** To disconnect a network cable, first unplug the cable from your computer and then unplug the cable from the network device.
5. If the computer or the adapter is being installed on the monitor:
  - a. Disconnect the power and all the display cables from the monitor.
  - b. Remove the stand from the monitor and place the monitor on a clean and soft surface.

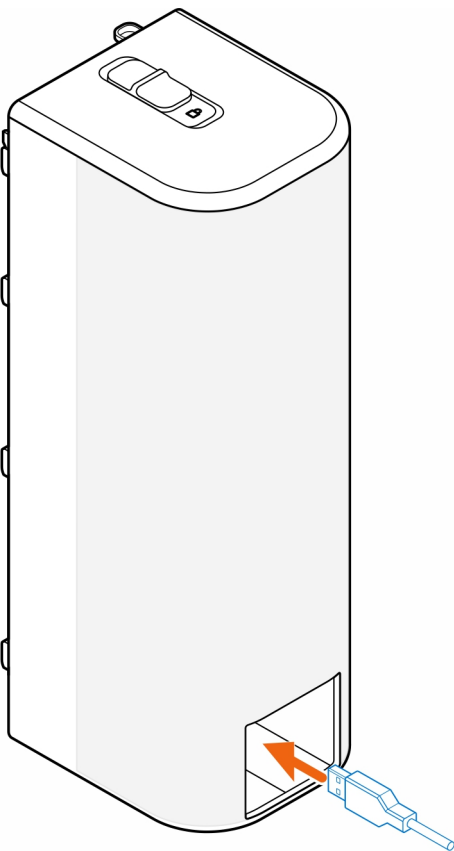
# OptiPlex Small Form Factor Cable Cover

The cable cover for the OptiPlex Small Form Factor protects the ports and organizes the cables that are connected to the computer.

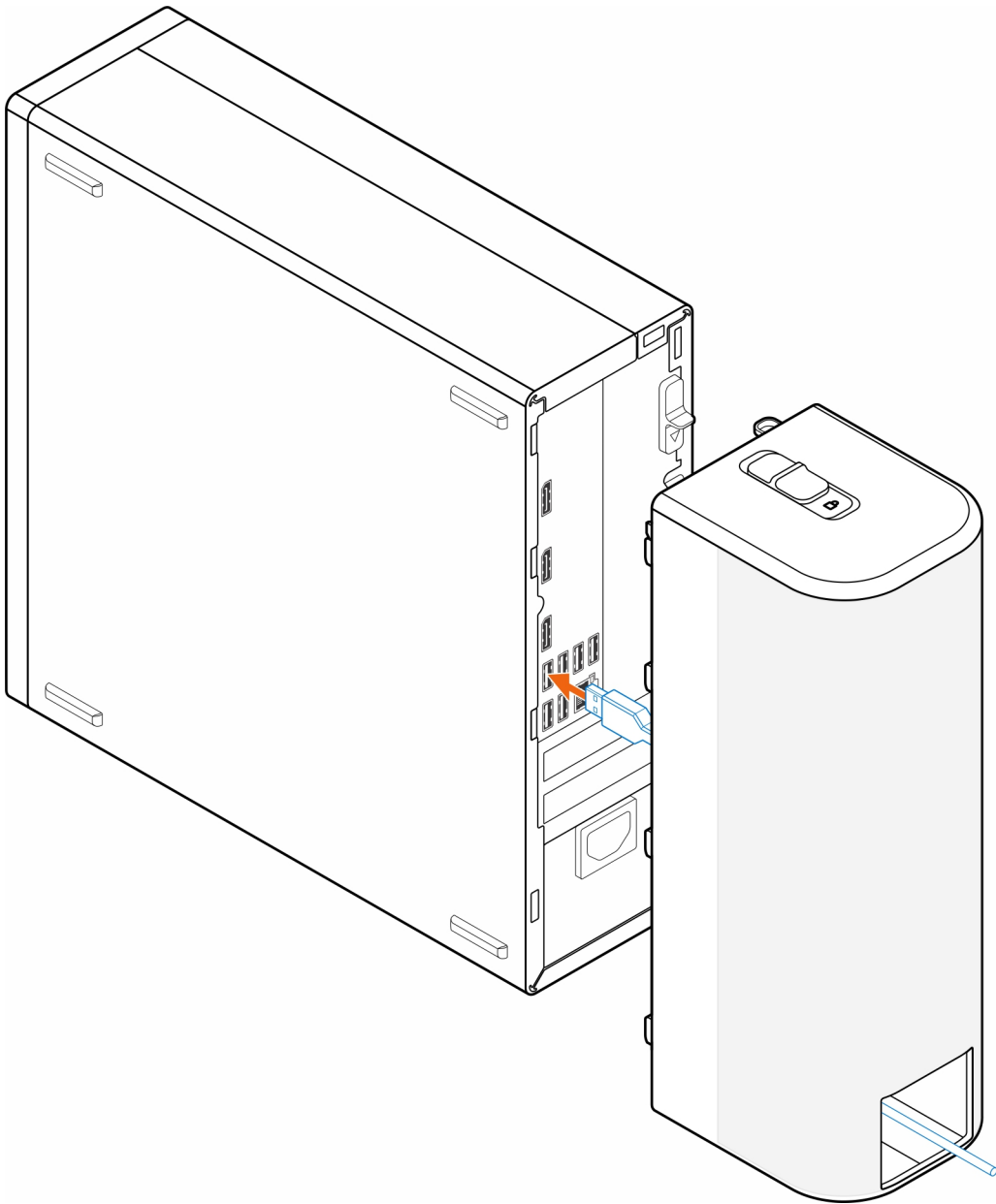
## Steps

1. Follow the instructions in [Before you begin](#).
2. Route the cables through the slot on the cable cover.

**i** **NOTE:** Images shown below may vary depending on your system configuration.

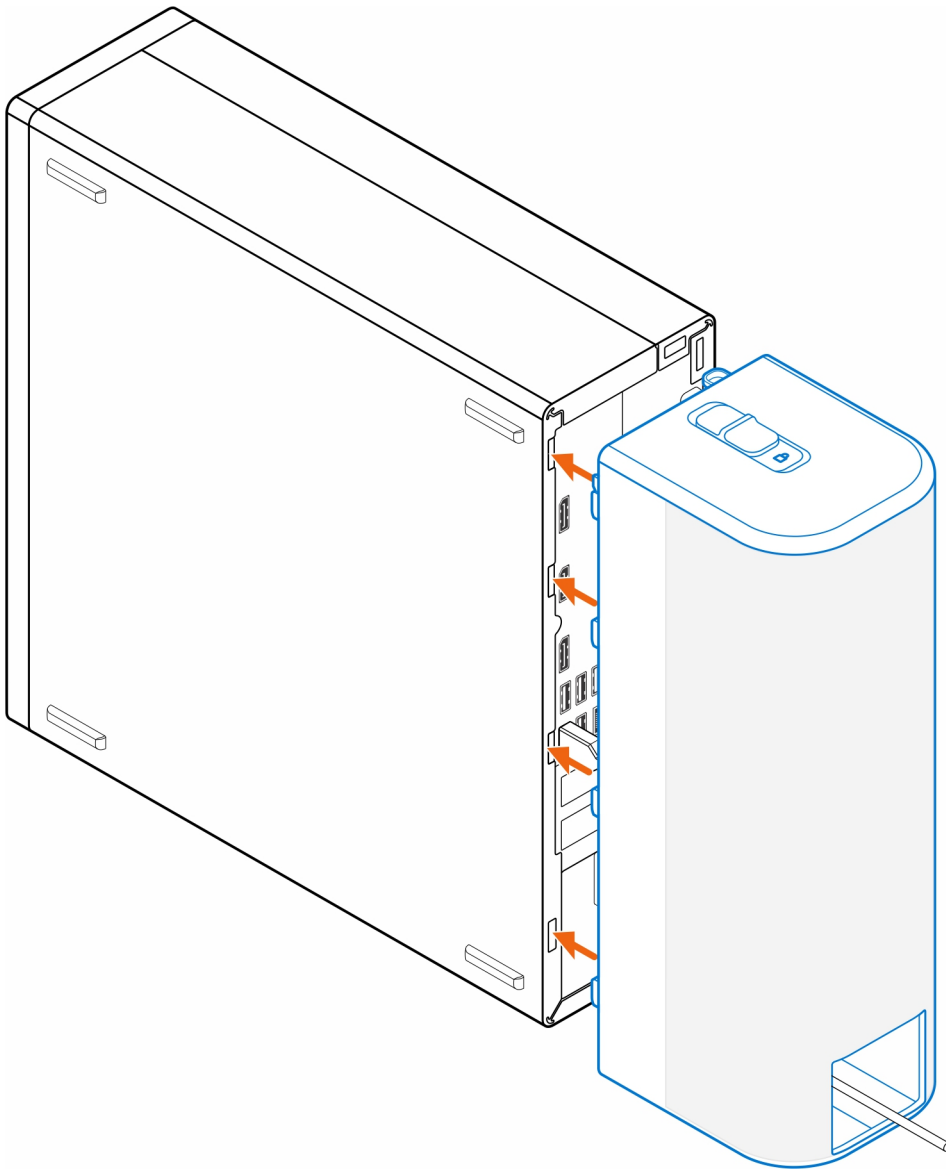


3. Connect the cables to their respective ports on the chassis.

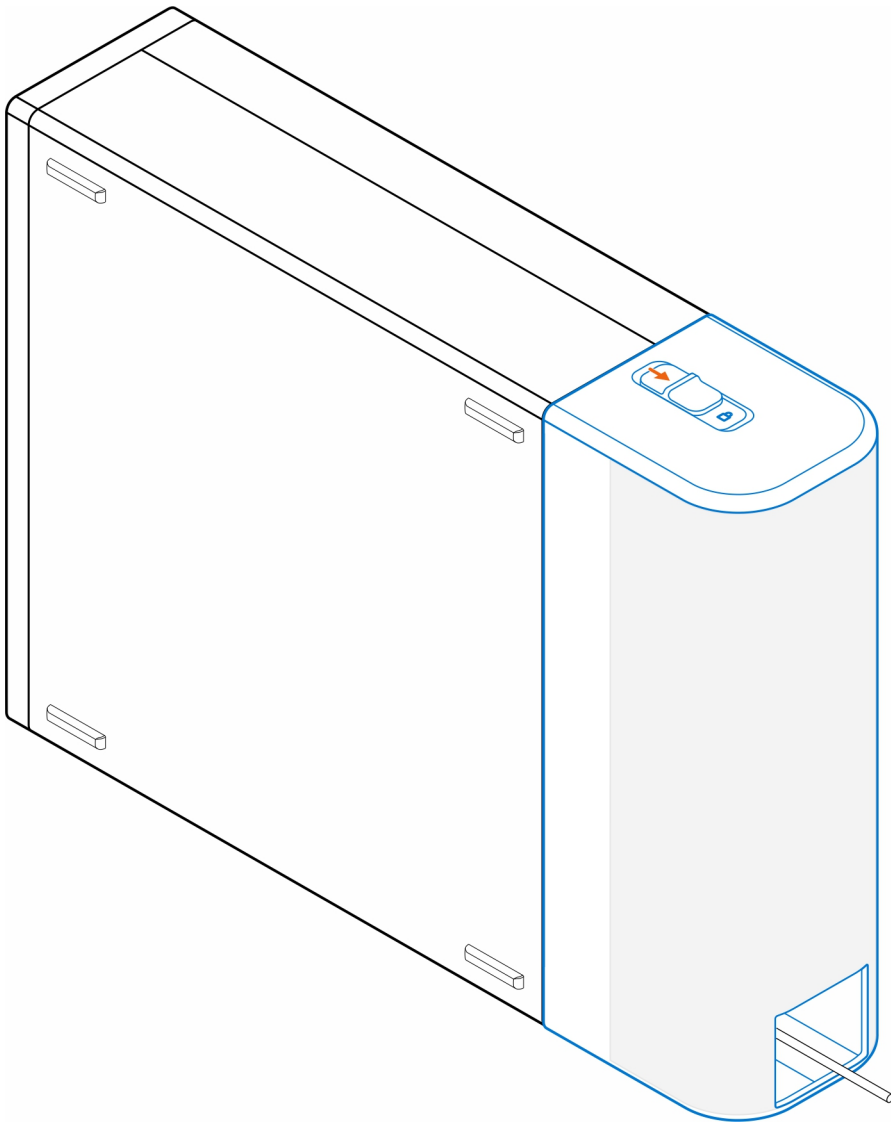


4. Align the cable cover retaining hooks with the slots on the chassis.

 **CAUTION:** Be careful not to bend or break the delicate plastic hooks.



5. Gently push the cable cover until the cable cover clicks into place.
6. Slide the latch to lock the cable cover to the chassis.



**i** **NOTE:** For added security, use the Kensington cable lock to secure the computer.

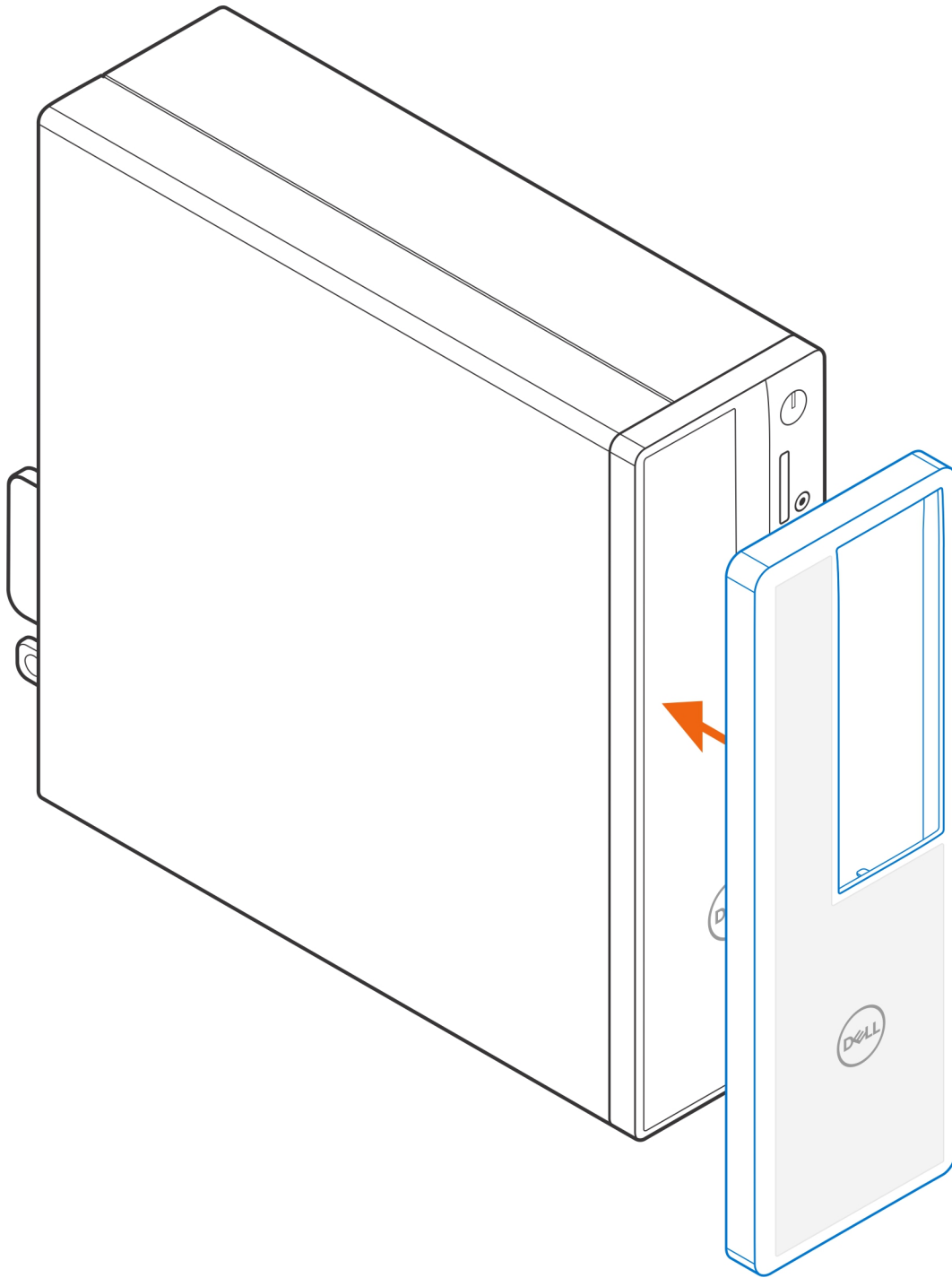


# OptiPlex Small Form Factor Dust Filter

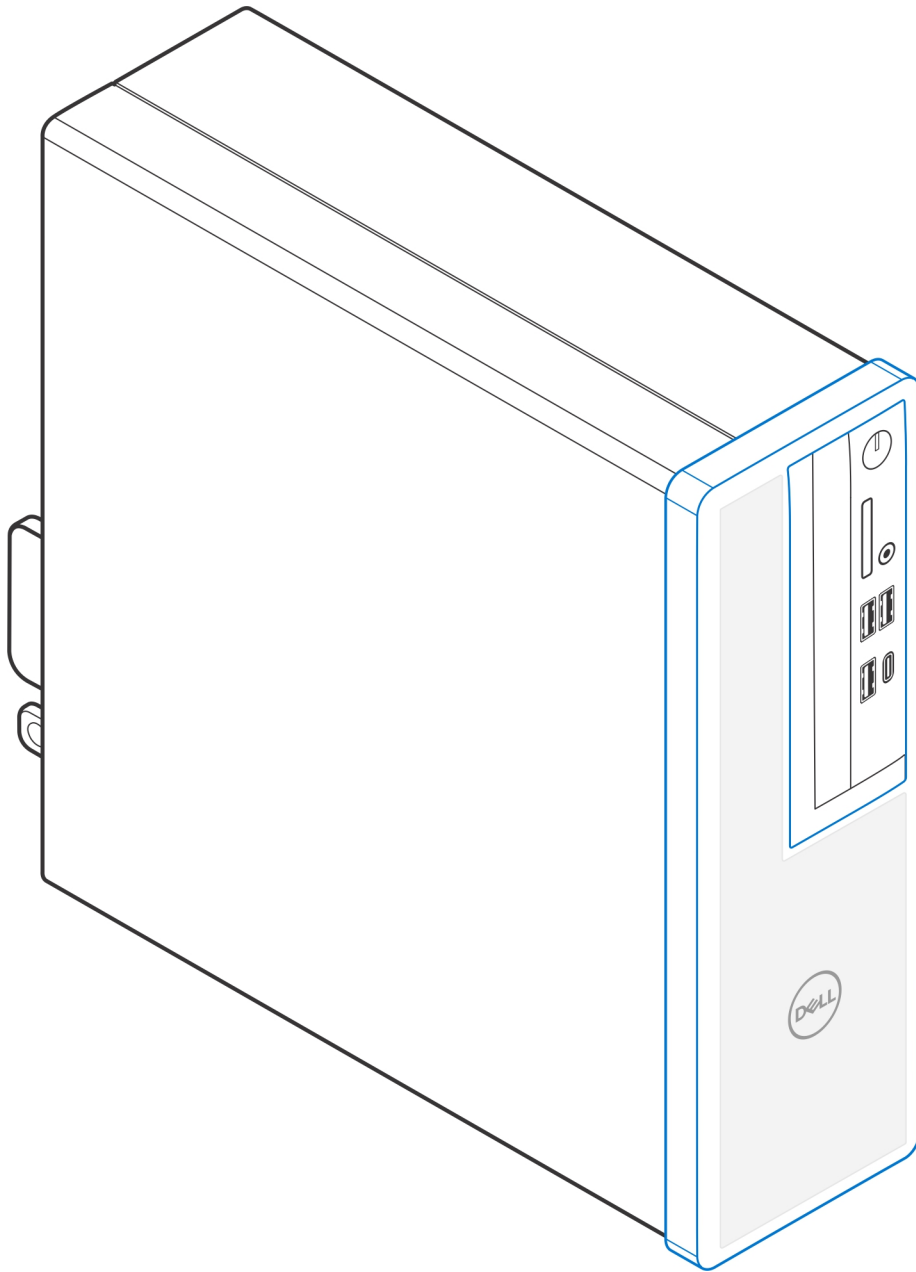
The dust filter for the OptiPlex Small Form Factor helps protect the computer from fine dust particles. After installation, you can set a pre-boot reminder in the BIOS to clean or replace the dust filter at customized time interval using the interval setting in the BIOS.

## Steps

1. Follow the instructions in [Before you begin](#).
2. Starting from the top edge, align the edges of the dust filter with the edges of the computer.



3. Gently push the lower edge of the dust filter to close it over the computer.
4. Gently push the edges of the dust filter to click the dust filter into place.



5. Follow the instructions in [After you install](#).
6. Restart the system and press **F2** immediately to enter the BIOS Setup menu.
7. In the BIOS Setup menu, go to **System Configuration > Dust Filter Maintenance** and select from any of the following intervals: 15, 30, 60, 90, 120, 150, or 180 days.
  - i** **NOTE:** By default, the **Dust Filter Maintenance** setting is disabled.
  - i** **NOTE:** Alerts are generated only during a system reboot and not during normal operating system operation.
  - i** **NOTE:** To clean the dust filter, brush or gently vacuum and then wipe down the external surfaces with a moist cloth.

## After you install


### Steps

1. Connect any external devices, peripherals, or cables you removed before working on your computer.
2. Connect your computer and all attached devices to their electrical outlets.
3. Turn on your computer.

# Getting help

## Contacting Dell

### Prerequisites

 **NOTE:** If you do not have an active Internet connection, you can find contact information on your purchase invoice, packing slip, bill, or Dell product catalog.

### About this task

Dell provides several online and telephone-based support and service options. Availability varies by country and product, and some services may not be available in your area. To contact Dell for sales, technical support, or customer service issues:

### Steps

1. Go to **Dell.com/support**.
2. Select your support category.
3. Verify your country or region in the **Choose a Country/Region** drop-down list at the bottom of the page.
4. Select the appropriate service or support link based on your need.