

Vertiv™ VR



Unpacking Instructions

IMPORTANT: Before proceeding, download the Vertiv™ VR Installer/ User Guide from the Vertiv™ VR product page at www.Vertiv.com. The user guide includes important warnings, specifications and instructions for the grounding of the rack.

WARNING: Note the accident prevention regulations when working with a lift truck, forklift or crane. Place the pallet with the rack as close as possible to the installation site. Once the rack has been installed, and before any equipment has been mounted, secure the rack by attaching it to the building structure or by fitting it with manufacturer-specified tilt protection.

Required Tools

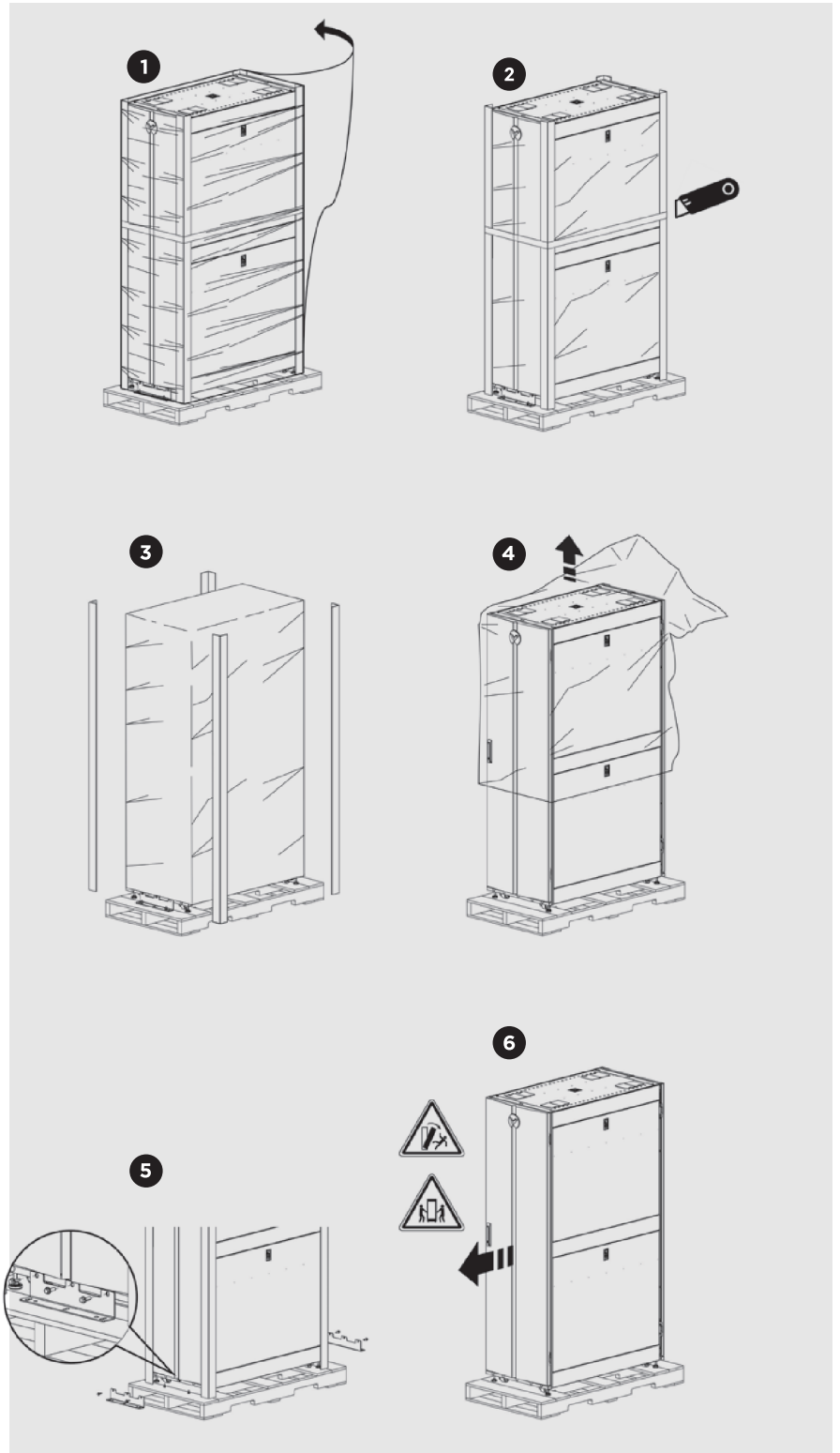
The following tools are required to unpack and move the rack:

- Pallet jack or forklift
- Utility knife or scissors
- 13-mm socket and ratchet or wrench
- 14-mm socket and ratchet or wrench

Installation

Remove the packaging, being careful to not damage the paint.

- Ensure the leveling feet are fully retracted in the frame as they may have lowered in transit.
- Only cut the stretch wrap over the cardboard-edge protector.
- Check for external damage before putting into operation. Have any damage or defects immediately repaired by authorized personnel. The rack may not be operated if it is damaged.
- Do not use the rack in a damp room.



- Assembly, installation and operation start-up should only be performed by authorized personnel.
- If a fault occurs, contact customer support.

For U.S. Customer Support:

Em: liebert.upstech@vertiv.com
Ph: 1-800-222-5777, Option 1

For EMEA Customer Support:

Vertiv Integrated Systems GmbH
Mariakirchener Straße 38
D-94424 Arnstorf
Ph: +49 (0) 87 23/27-0
Fax: +49 (0) 87 23/27-154
Em: Knuerr.Info@Vertiv.com

Waste disposal

Dispose of all waste in an environmentally friendly manner using local facilities.

Comply with current regulations relating to environmental protection and waste disposal.

IMPORTANT SAFETY INSTRUCTIONS

NOTE: Save these instructions.

This document contains important instructions that must be closely followed during installation of this unit to maintain compliance with agency listings. Read all safety and operating instructions. Adhere to all warnings on the unit and in this guide. Follow all operating and user instructions.

WARNING: Risk of handling heavy unit can cause equipment damage, injury or death. Read all instructions

before beginning.

WARNING: Risk of top-heavy unit falling over. Improper handling can cause equipment damage, injury or death. Only properly trained and qualified personnel wearing appropriate OSHA-approved personal protection equipment (PPE) should attempt to move, lift, remove packaging from or prepare unit for installation. Read all instructions before attempting to move, lift, remove packaging from or prepare the unit for installation.

This product is designed for commercial/industrial use only. Maximum loads must not exceed those specified in the product guide. The maximum load rating for the Vertiv™ VR is found in the VR guide specification SL-11425GS. Do not exceed the static load rating.

Install and operate in a clean environment, free from moisture, flammable liquids, gases and corrosive substances. The Vertiv™ VR must be installed on a flat, level surface for proper assembly and operation.

Ensure the rack has proper ventilation. Never block or insert objects into the ventilation holes or other openings. Maintain minimum clearances as specified in this guide.

Provide the minimum space between the accessories/components and the housing. This spacing shall be maintained for safe operation of the equipment when installed in accordance with the National Electric Code, ANSI/NFPA 70. As appropriate, all wiring and equipment should be installed in accordance with NFPA 70, "National Electrical

Code," and the applicable sections of ANSI C2, "National Electrical Safety Code."

We recommend that casters only be used to move empty racks.

To contact Vertiv Technical Support: visit www.Vertiv.com

© 2021 Vertiv Group Corp. All rights reserved. Vertiv™ and the Vertiv logo are trademarks or registered trademarks of Vertiv Group Corp. All other names and logos referred to are trade names, trademarks or registered trademarks of their respective owners. While every precaution has been taken to ensure accuracy and completeness here, Vertiv Group Corp. assumes no responsibility, and disclaims all liability, for damages resulting from use of this information or for any errors or omissions. Specifications, rebates and other promotional offers are subject to change at Vertiv's sole discretion upon notice.

