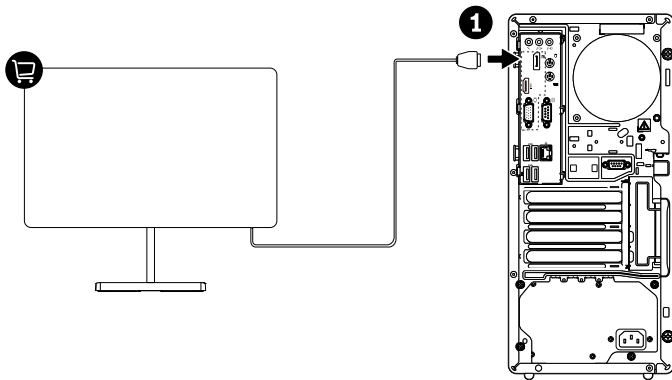
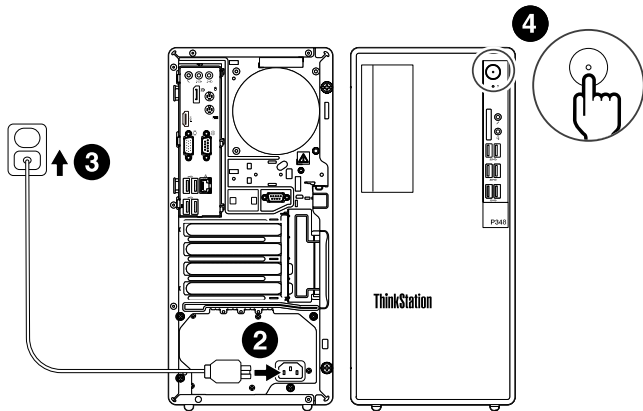


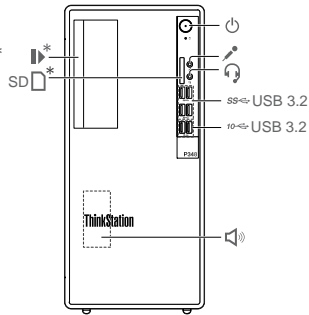
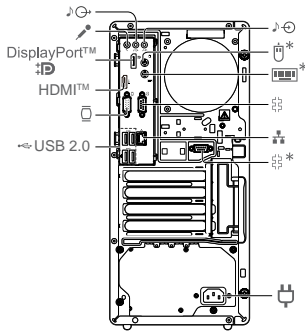


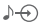


ThinkStation P348

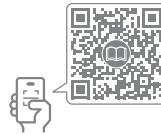


* For selected models





-  Audio line-in connector
-  Audio line-out connector
-  Serial connector



[English] USB transfer rate

Read the statement on USB transfer rate in the *User Guide*. To access the *User Guide*, go to <https://pcsupport.lenovo.com>.

European Union (EU) / United Kingdom (UK) — Radio Equipment Compliance

Hereby, Lenovo (Singapore) Pte. Ltd., declares that the radio equipment type ThinkStation P348 is in compliance with Directive 2014/53/EU, as well as UK Radio Equipment Regulations SI 2017 No. 1206.

The full text of the system declarations of conformity are available at:
<https://www.lenovo.com/us/en/compliance/eu-doc> for EU and

<https://www.lenovo.com/us/en/compliance/uk-doc> for UK.

This radio equipment operates with the following frequency bands and maximum radio-frequency power:

Technology	Frequency band [MHz]	Maximum transmit power
WLAN 802.11b/g/n/ax	2400 - 2483.5	< 20 dBm
WLAN 802.11a/n/ac/ax	5150 - 5725	< 23 dBm
WLAN 802.11a/n/ac/ax	5725 - 5875	< 13.98 dBm
Bluetooth BR/EDR/LE	2400 - 2483.5	< 20 dBm

Usage of this device is limited to indoor use in the WLAN band 5150 – 5350 MHz.

LENOVO, LENOVO logo, ThinkStation, and ThinkStation logo are trademarks of Lenovo. DisplayPort and VESA are trademarks of the Video Electronics Standards Association. The terms HDMI and HDMI High-Definition Multimedia Interface are trademarks or registered trademarks of HDMI Licensing LLC in the United States and other countries. Wi-Fi is a registered trademark of Wi-Fi Alliance. USB-C is a registered trademark of USB Implementers Forum. All other trademarks are the property of their respective owners. © 2021 Lenovo.

First Edition (July 2021)
© Copyright Lenovo 2021.

LIMITED AND RESTRICTED RIGHTS NOTICE: If data or software is delivered pursuant to a General Services Administration "GSA" contract, use, reproduction, or disclosure is subject to restrictions set forth in Contract No. GS-35F-05925.

Reduce | Reuse | Recycle

