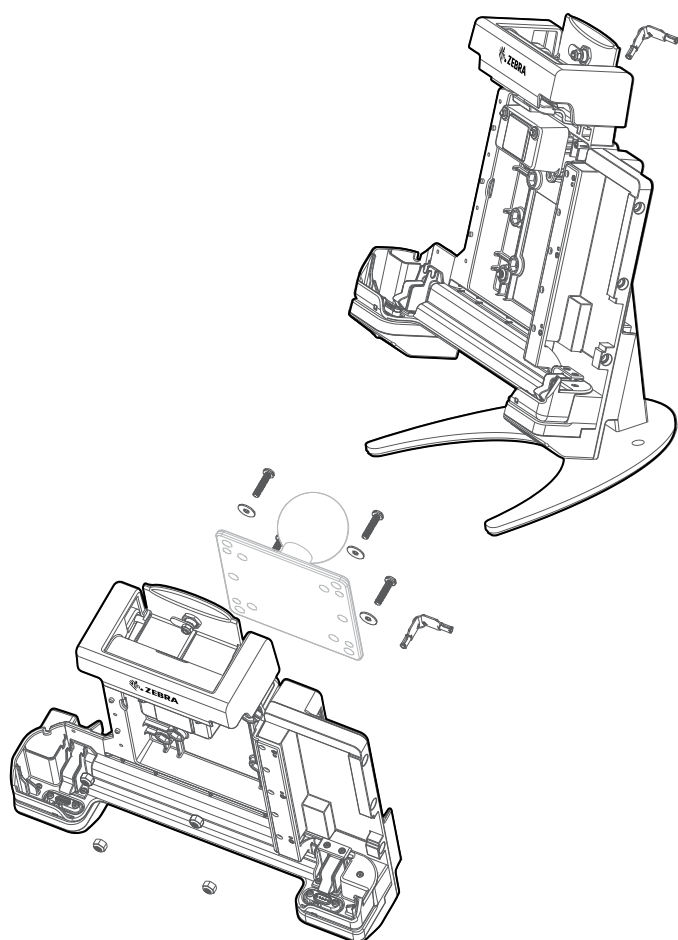


ET80/ET85 Power/Vehicle/Office Dock Quick Start Guide



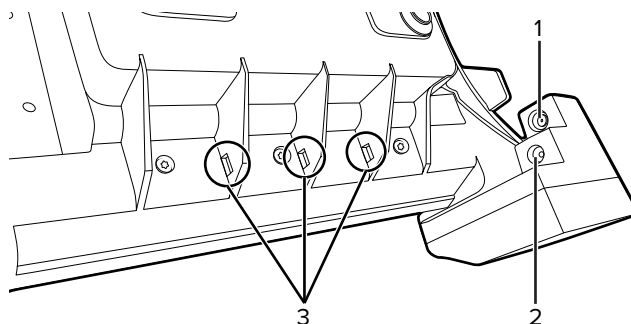
Use only with ET80 and ET85.

Power Only Dock CRD-ET8X-PWRDK1-01	Provides tablet charging only. Includes four 10-32 nuts, four screws, four washers, and two keys. Supports VESA 100 mm x 100 mm, 100 mm x 50 mm, and 75 mm x 75 mm. Mount not included.
Vehicle Dock CRD-ET8X-VEHDK1-01	Provides tablet charging, USB communication, and Ethernet communication. Includes four 10-32 nuts, four screws, four washers, and two keys. Supports VESA 100 mm x 100 mm, 100 mm x 50 mm, and 75 mm x 75 mm. Mount not included.
Office Dock CRD-ET8X-OFFDK1-01	Provides tablet charging, USB communication, Ethernet communication, and HDMI ports. Includes two keys and stand.

Operating Temperature Office Dock, AC adapter, 9 port PEM	-20 °C to 40 °C (-4 °F to 104 °F)
Operating Temperature Vehicle Dock, 7 port PEM	-20 °C to 60 °C (-4 °F to 150 °F)

Cable Routing

Use the indicated cable tie slots for cable routing to prevent interference from the keyboard handle.

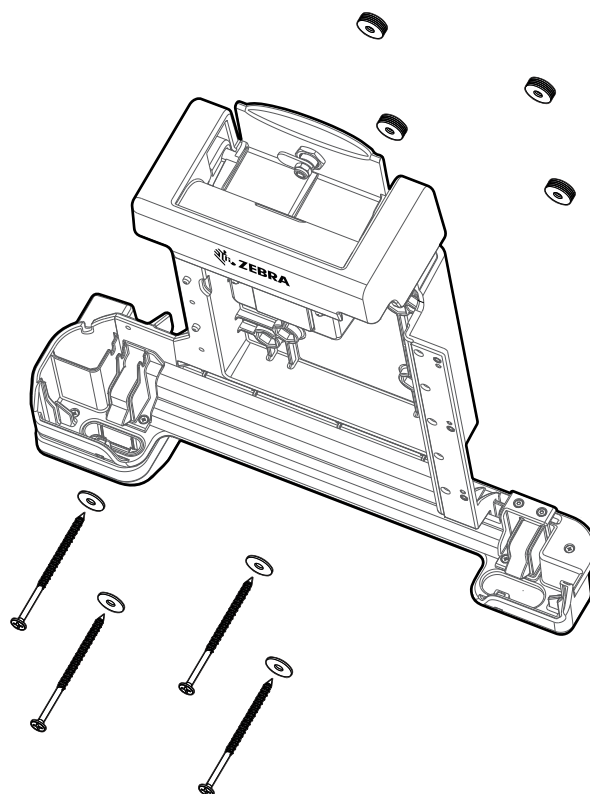


1	Port expander
2	DC IN 12-14 VDC
3	Cable tie slots

Wall Mounting

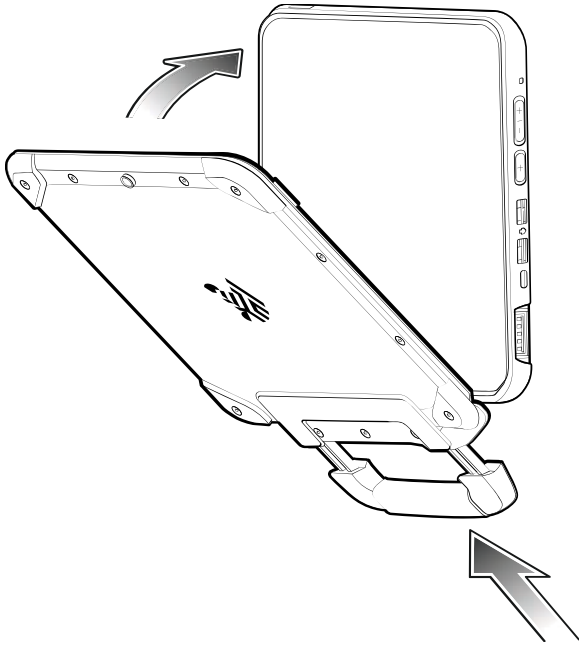
Mount the ET80/ET85 Power Only or Vehicle docks on a wall as shown using the following materials (not included with dock).

- Rear standoffs – 6 mm (1/4 in.) minimum thickness. This allows the locking lever to fully open.
- Front washers – 15 mm (5/8 in.) minimum outside diameter.
- Screws - #8 x 3 in. Phillips pan head wood screws.
- Hole pattern - four 5.6 mm diameter holes spaced 100 mm x 100 mm apart.

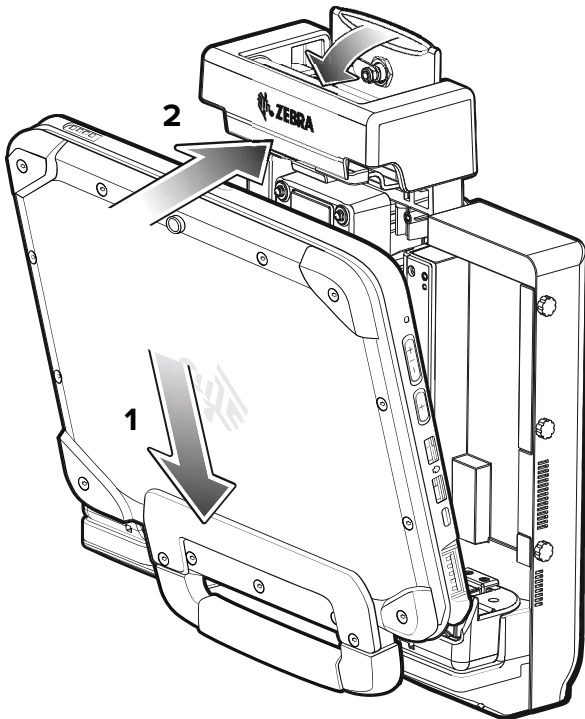


Inserting the Tablet

1. If previously installed, ensure the keyboard and handle are closed.



2. Insert the bottom of the tablet into the bottom of the dock (1), aligning the charging contacts on the tablet with the connector pins on the dock.
3. Rotate the top of the tablet towards the top of the dock (2).



4. Use your thumb to push the tablet into the dock, then push the lever down to secure the tablet.

