

Kit Contents

Slate Display
I/O Hub
1.8m US Power Cable
1.8m EU Power Cable
DC Power Supply



Quick Installation Guide

I-Series 3 Slate with Intel®

Revision A
P/N E560576

Learn more about Elo at [EloTouch.com](https://www.elotouch.com)

Americas

Tel +1 408 597 8000
EloSales.NA@elotouch.com

Europe (EMEA)

Tel +32 16 930 136
EMEA.sales@elotouch.com

Asia Pacific

Tel +86 (21) 3329 1385
EloAsia@elotouch.com

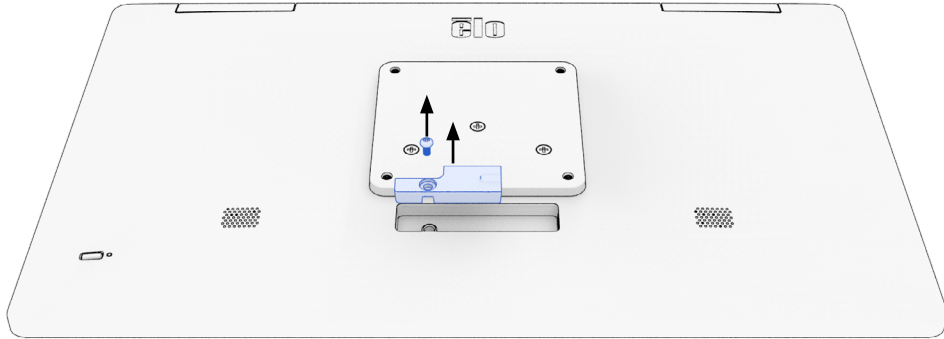
The information in this document is subject to change without notice. Elo Touch Solutions, Inc. and its Affiliates (collectively "Elo") makes no representations or warranties with respect to the contents herein, and specifically disclaims any implied warranties of merchantability or fitness for a particular purpose. Elo reserves the right to revise this publication and to make changes from time to time in the content hereof without obligation of Elo to notify any person of such revisions or changes.

No part of this publication may be reproduced, transmitted, transcribed, stored in a retrieval system, or translated into any language or computer language, in any form or by any means, including, but not limited to, electronic, magnetic, optical, chemical, manual, or otherwise without prior written permission of Elo Touch Solutions, Inc.

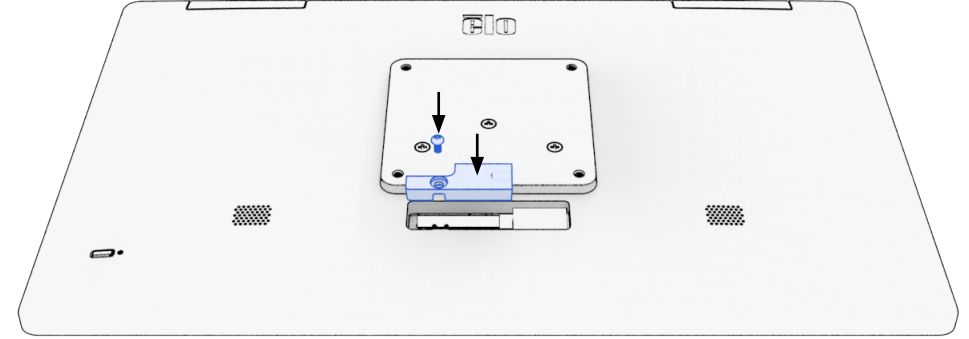
Elo and the Elo logo are either trademarks or registered trademarks of Elo Touch Solutions, Inc.



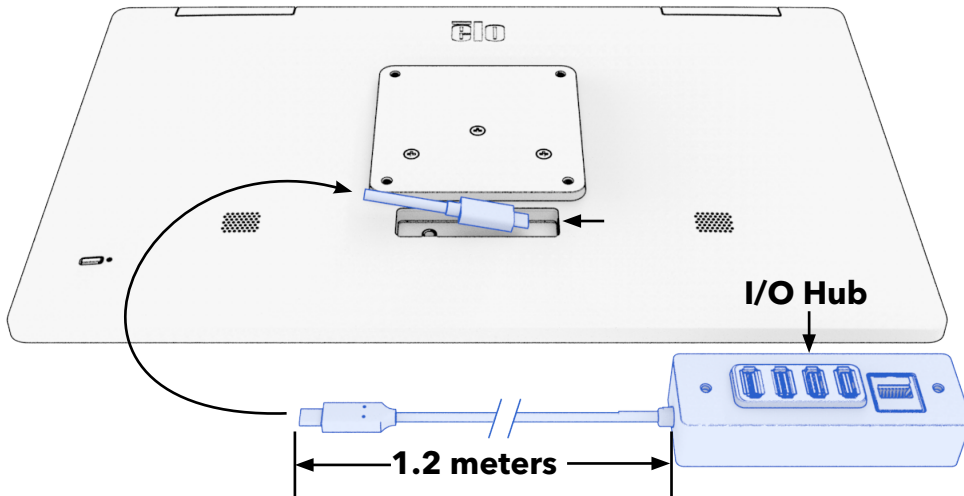
- 1** Remove the cable locking screw and bracket from the rear of the Slate display to access the USB-C connection.



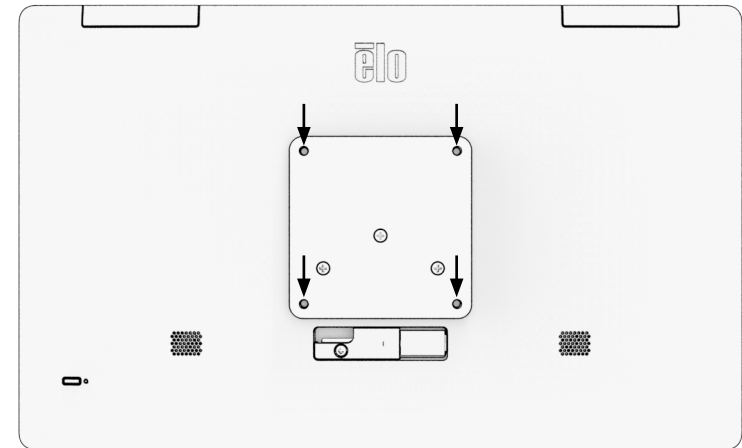
- 3** Reinstall the cable bracket on the rear of the Slate display. The bracket must be secured with the included screw.



- 2** Plug the USB-C cable from the I/O Hub into the rear of the Slate display.



- 4** The Slate display has four mounting holes on the rear. The I/O Hub has two mounting holes which allow it to be mounted out of sight. See dimensional drawing for mounting hole details.



See detailed user guide at www.elotouch.com for additional information on mounting Elo I-Series Slate displays to Elo stands or wall mounts.