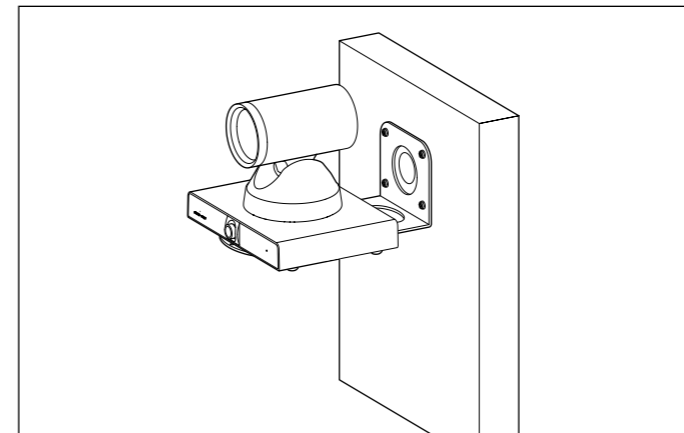
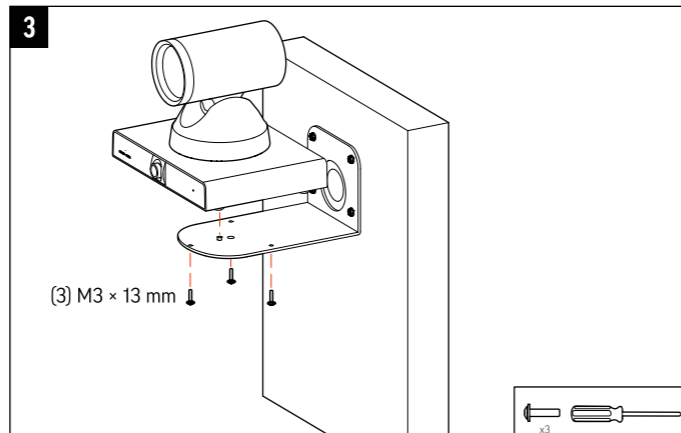
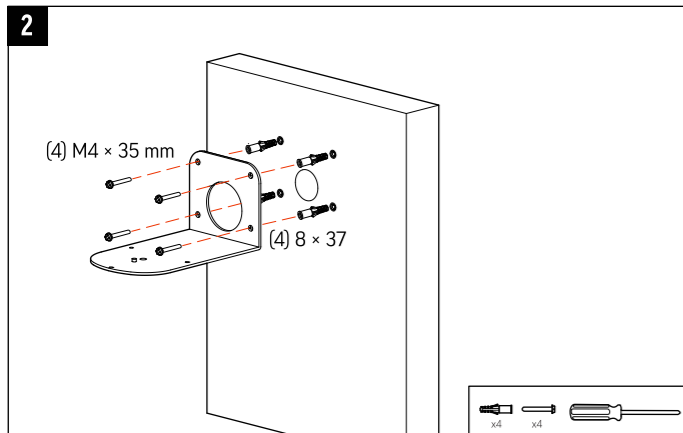
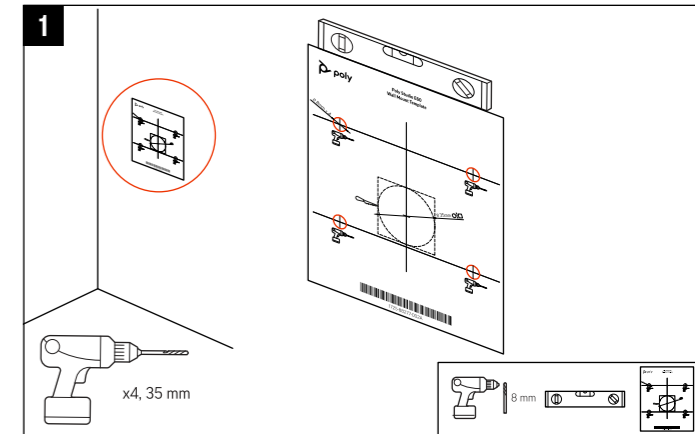
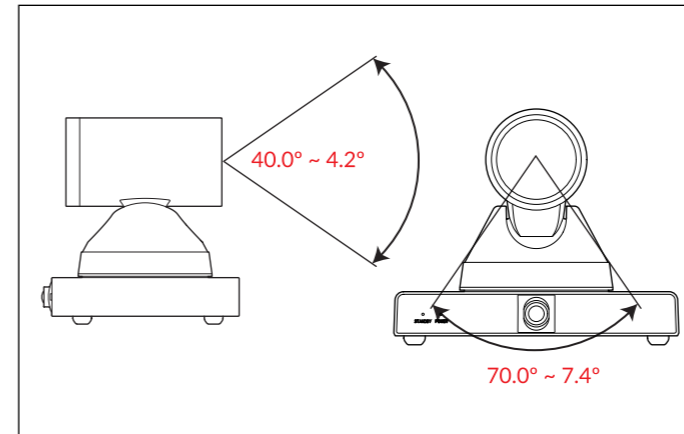
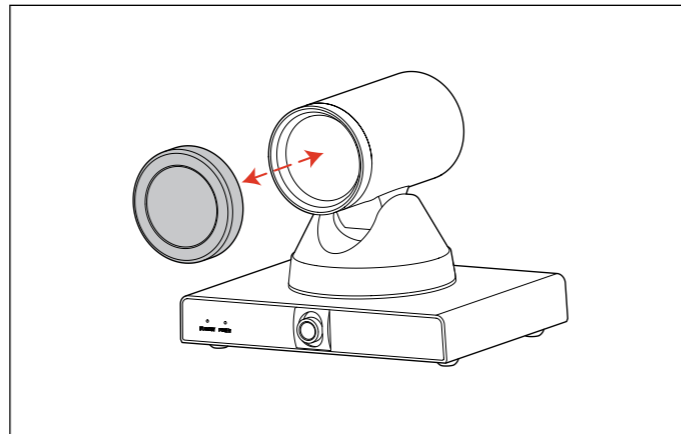
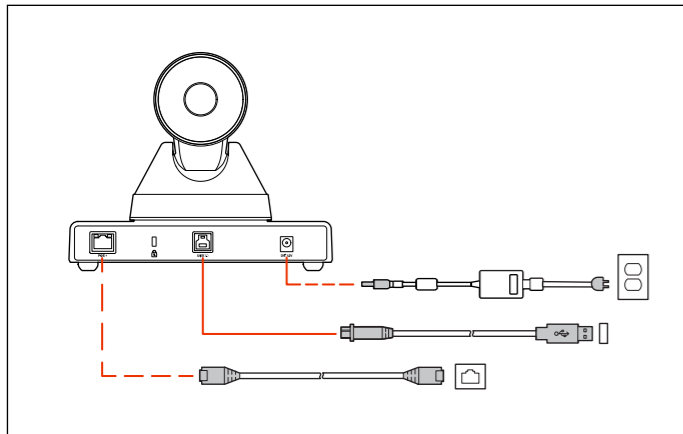
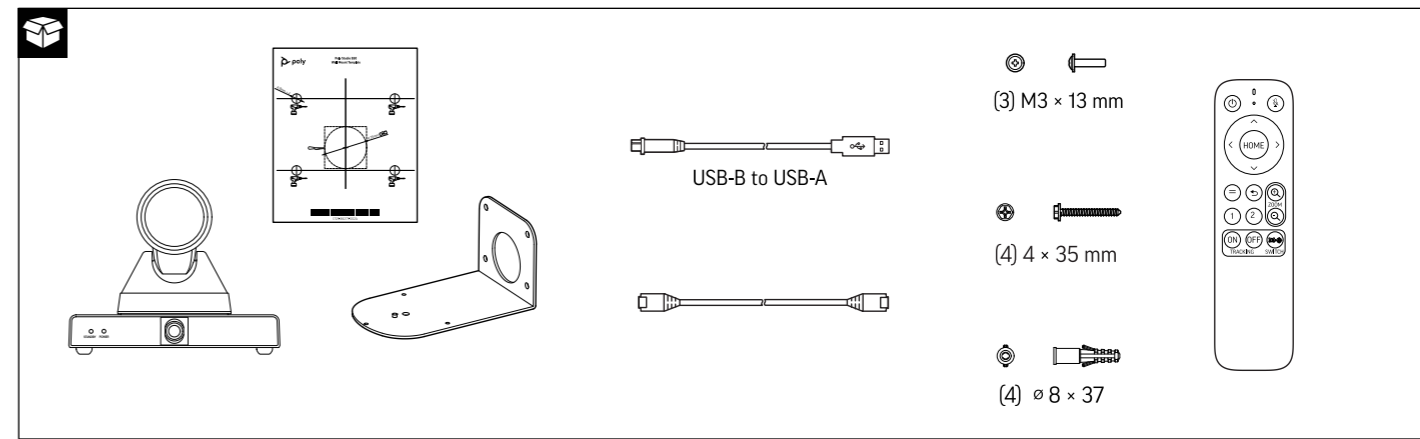
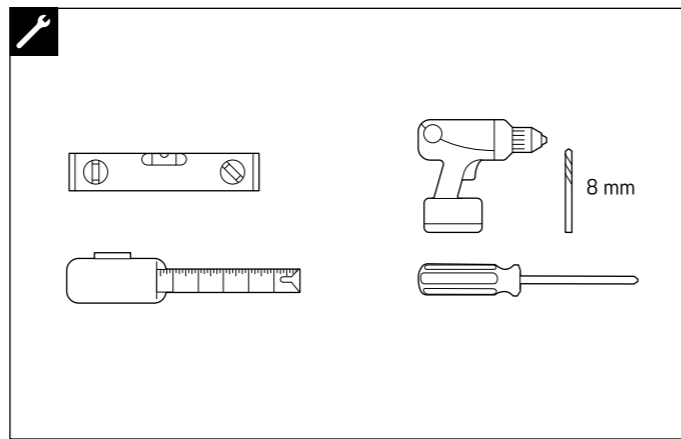




POLY STUDIO E60



support.hp.com/poly

Studio E60

poly.com/lens

Operating: -10°C to 40°C
Storage: -40°C to 60°C

© 2024 Poly. All trademarks are the property of their respective owners.



1725-88269-001A 01.24

