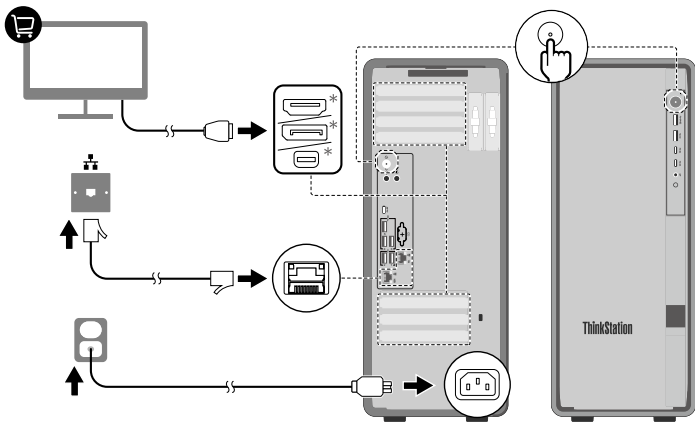




# ThinkStation P7

**Lenovo**



 DisplayPort™\*

 USB-C® (3.2 Gen 2x2)



 HDMI™\*


 x3 USB-A 3.2 Gen 2



 Mini DisplayPort™\*

 x2 USB-A 2.0



 x2 USB-C (3.2 Gen 2)\*

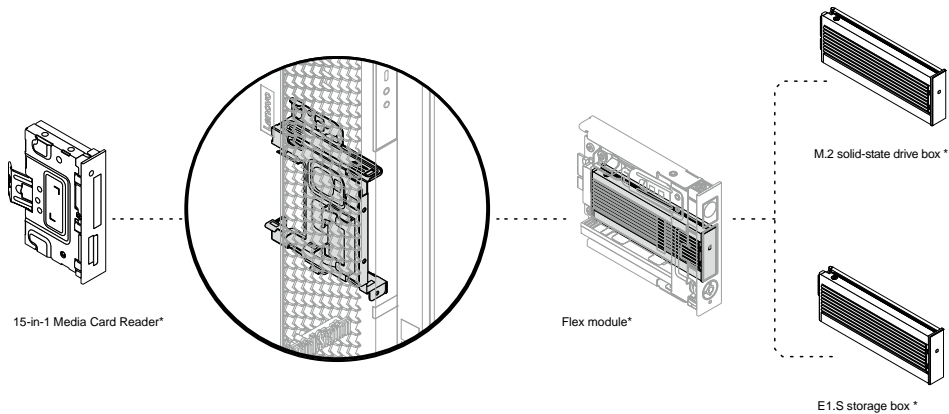
 x2 USB-A 3.2 Gen 2\*

Scan the *User Guide* QR code to learn more information about the product and the USB transfer rate.



\* For selected models

## Flex bay\*



\* For selected models

[English]

## European Union (EU) / United Kingdom (UK) — radio frequency and power

This radio equipment operates with the following frequency bands and maximum radio-frequency power:

Technology	Frequency band [MHz]	Maximum transmit power
WLAN 802.11b/g/n/ax	2400 - 2483.5	< 20 dBm

Technology	Frequency band [MHz]	Maximum transmit power
WLAN 802.11a/n/ac/ax	5150 - 5725	< 23 dBm
WLAN 802.11a/n/ac/ax	5725 - 5875	< 13.98 dBm
WLAN 802.11ax	5945 - 6425	< 23 dBm
Bluetooth BR/EDR/LE	2400 - 2483.5	< 20 dBm

**Note:** Not all wireless bands may be enabled depending on your product configuration. Usage of this device is limited to indoor locations in the bands 5150 - 5350 MHz and 5945 - 6425 MHz.

First Edition (May 2023)

© Copyright Lenovo 2023.

LENOVO, LENOVO logo, ThinkStation, and ThinkStation logo are trademarks of Lenovo. DisplayPort is a trademark of the Video Electronics Standards Association. The terms HDMI and HDMI High-Definition Multimedia Interface are trademarks or registered trademarks of HDMI Licensing LLC in the United States and other countries. USB-C is a registered trademark of USB Implementers Forum. All other trademarks are the property of their respective owners.

LIMITED AND RESTRICTED RIGHTS NOTICE: If data or software is delivered pursuant to a General Services Administration "GSA" contract, use, reproduction, or disclosure is subject to restrictions set forth in Contract No. GS-35F-05925.