

VR3157 OPTIONAL MODEL DESCRIPTION BY SUFFIX	
RACK MODEL	DESCRIPTION
VR3157-001	NO FRONT DOOR, NO REAR DOOR, NO RIGHT SIDE PANELS, NO LEFT SIDE PANELS
VR3157-002	NO FRONT DOOR, NO REAR DOOR
VR3157-003	NO FRONT DOOR
VR3157-004	NO REAR DOOR
VR3157-005	NO RIGHT SIDE PANELS
VR3157-006	NO LEFT SIDE PANELS
VR3157-007	NO RIGHT SIDE PANELS, NO LEFT SIDE PANELS
VR3157-013	NO FRONT DOOR, NO REAR DOOR, NO SIDE PANELS, NO ROOF

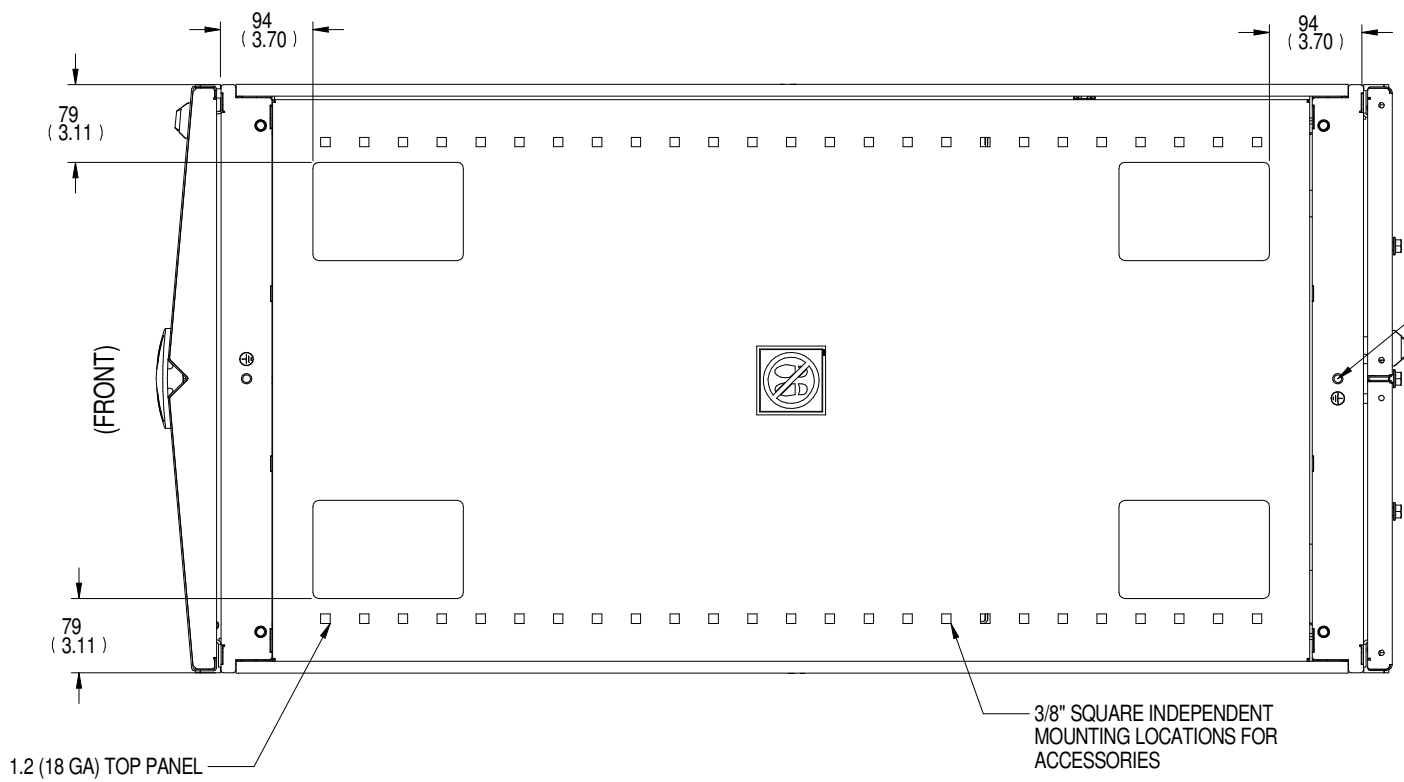
- NOTES:**
1. ALL DIMENSIONS ARE MM (INCH), TOLERANCES ±2.5 (±0.1)
 2. UNIT WEIGHT: 175.7 KG (387.4 LBS)
 3. STATIC WEIGHT CAPACITY: 1361 KG (3000 LBS)
 4. DYNAMIC WEIGHT CAPACITY: 1021 KG (2250 LBS)
 5. PACKAGE OF M6 SCREWS, CAGE NUTS INCLUDED.

DRAWN BY: TED BEAVER	SHEET NUMBER: 1 OF 3
CHECKED BY: BRAD REINBOLT	ECN NUMBER: N/A
REFERENCE DRAWING: N/A	QUOTE NUMBER: N/A

TITLE / DESCRIPTION
VERTIV VR RACK
48U x 800mm W x 1100mm D

VR3157			
DRAWING NUMBER: VR3157-SUBTL	DATE: 04/14/21	REV#: 2	1050 DEARBORN DRIVE P.O. BOX 29186 COLUMBUS, OHIO 43229

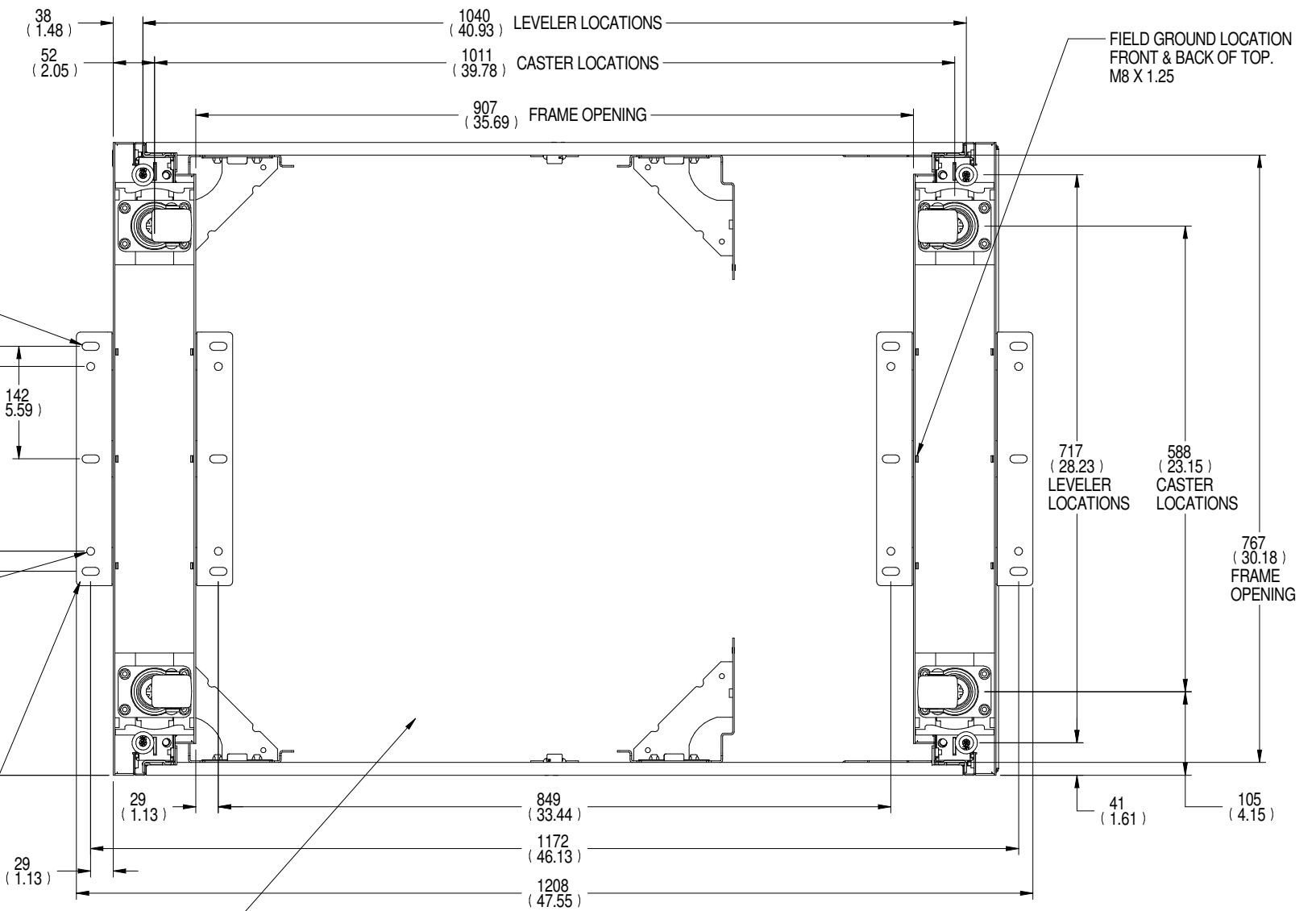




TOP VIEW
CABLE OPENINGS

FIELD GROUND LOCATION
FRONT & BACK OF TOP.
M8 X 1.25

3/8" SQUARE INDEPENDENT
MOUNTING LOCATIONS FOR
ACCESSORIES



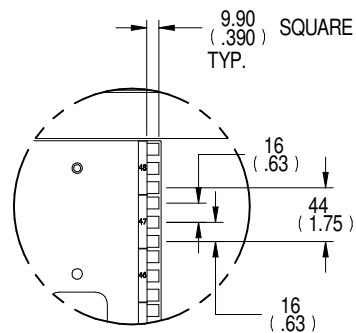
FIELD GROUND LOCATION
FRONT & BACK OF TOP.
M8 X 1.25

(2) SHIPPING BRACKETS CAN BE USED
FOR FLOOR ANCHORING - (1) FRONT, (1) REAR
BRACKETS CAN BE LOCATED INSIDE
OR OUTSIDE OF THE FRAME.

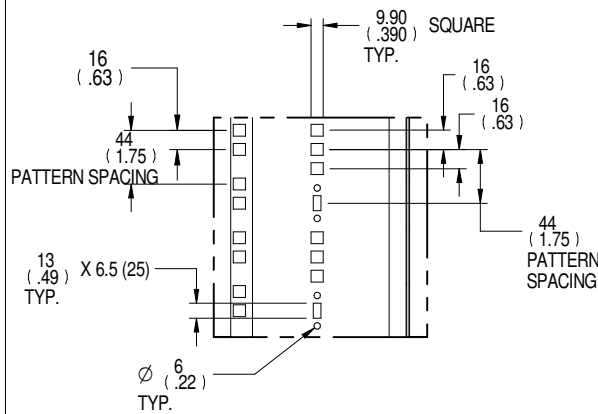
OPEN BOTTOM

BOTTOM VIEW
(TOP PANEL & DOORS HIDDEN)

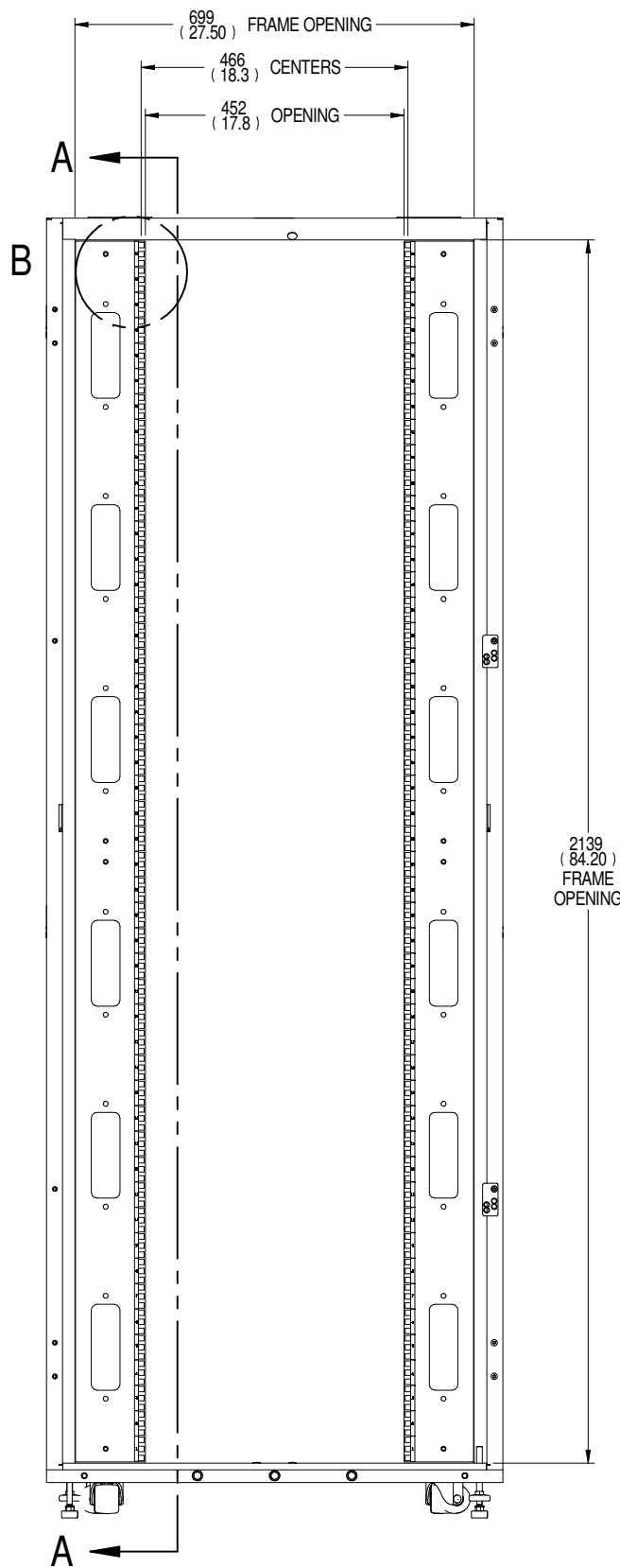
DRAWN BY: TED BEAVER	SHEET NUMBER: 2 OF 3	TITLE / DESCRIPTION VERTIV VR RACK 48U x 800mm W x 1100mm D	VR3157		
CHECKED BY: BRAD REINBOLT	ECN NUMBER: N/A				
REFERENCE DRAWING: N/A	QUOTE NUMBER: N/A		DRAWING NUMBER: VR3157-SUBTL	DATE: 04/14/21	



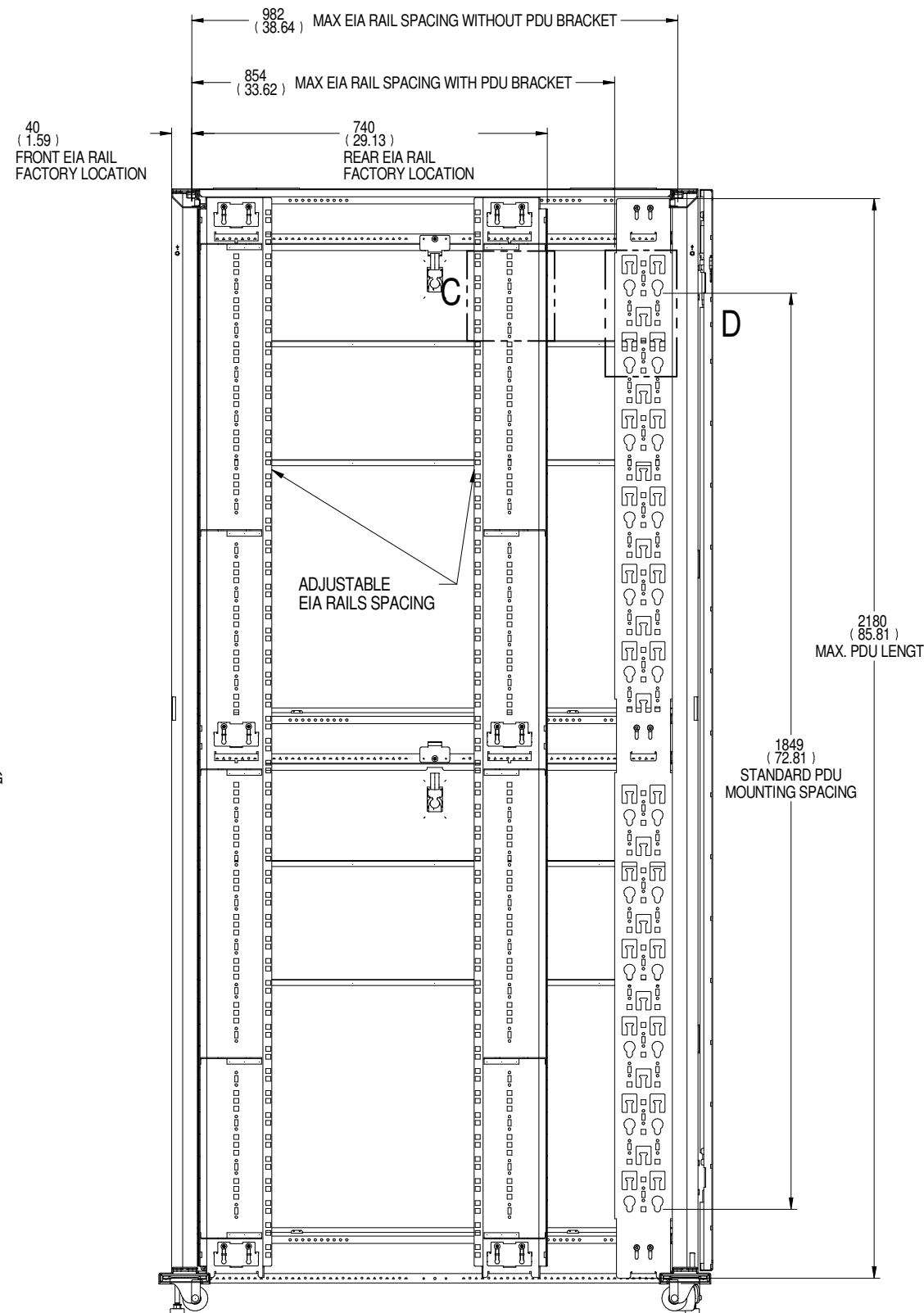
DETAIL B
RMU DETAIL



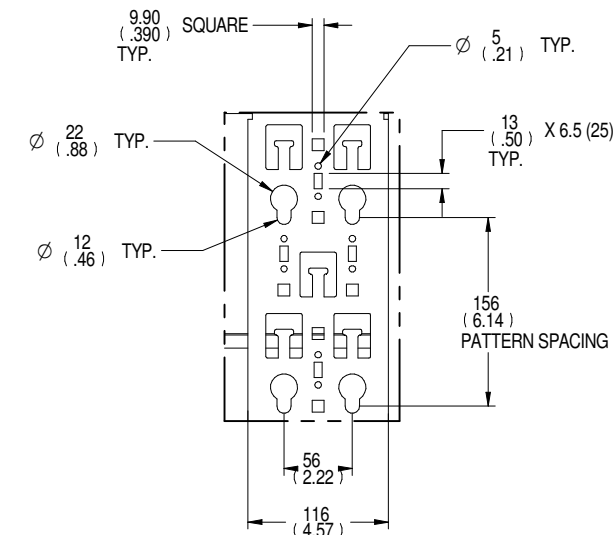
DETAIL C
OPTIONAL ACCESSORY
LOCATIONS



FRONT VIEW
(DOORS HIDDEN)



SECTION A-A



DETAIL D
PDU BRACKET
DETAIL

DRAWN BY: TED BEAVER	SHEET NUMBER: 3 OF 3
CHECKED BY: BRAD REINBOLT	ECN NUMBER: N/A
REFERENCE DRAWING: N/A	QUOTE NUMBER: N/A

TITLE / DESCRIPTION
VERTIV VR RACK
48U x 800mm W x 1100mm D

VR3157	
DRAWING NUMBER: VR3157-SUBTL	DATE: 04/14/21
REV#: 2	1050 DEARBORN DRIVE P.O. BOX 29186 COLUMBUS, OHIO 43229

