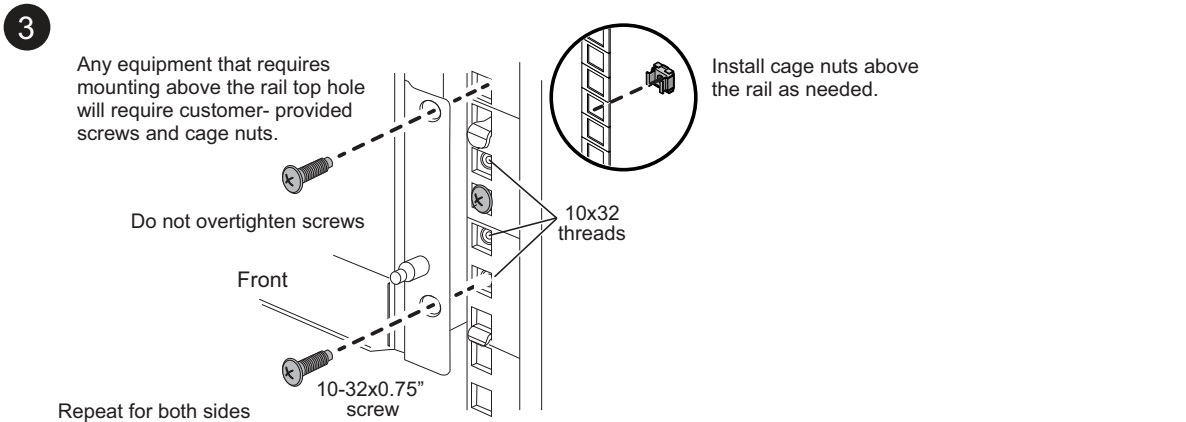
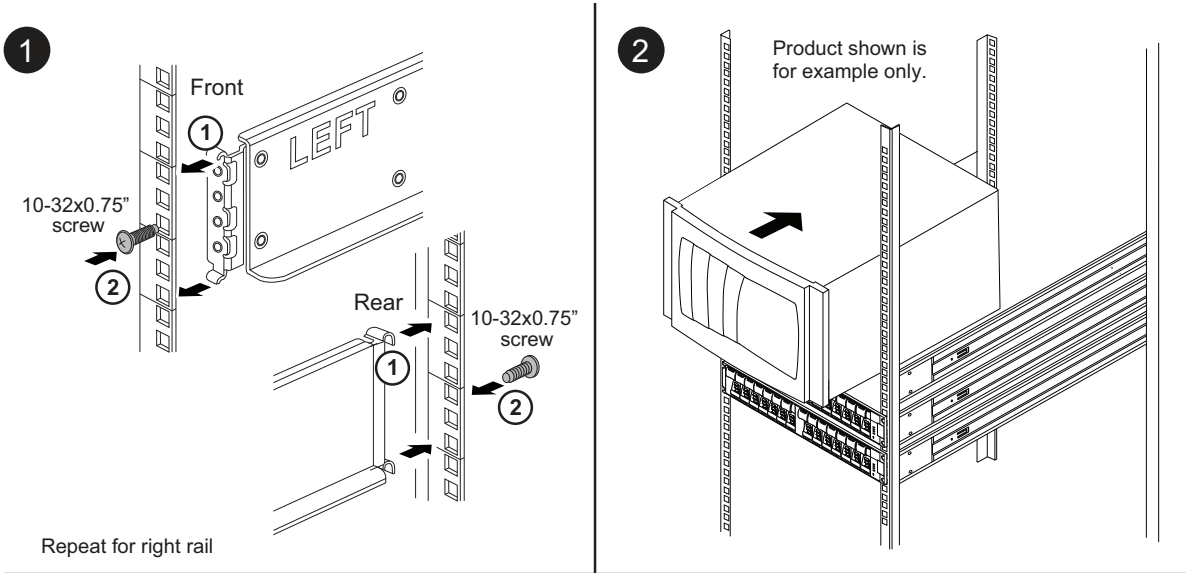
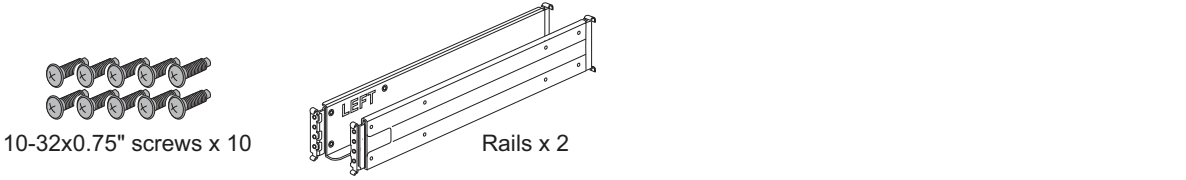


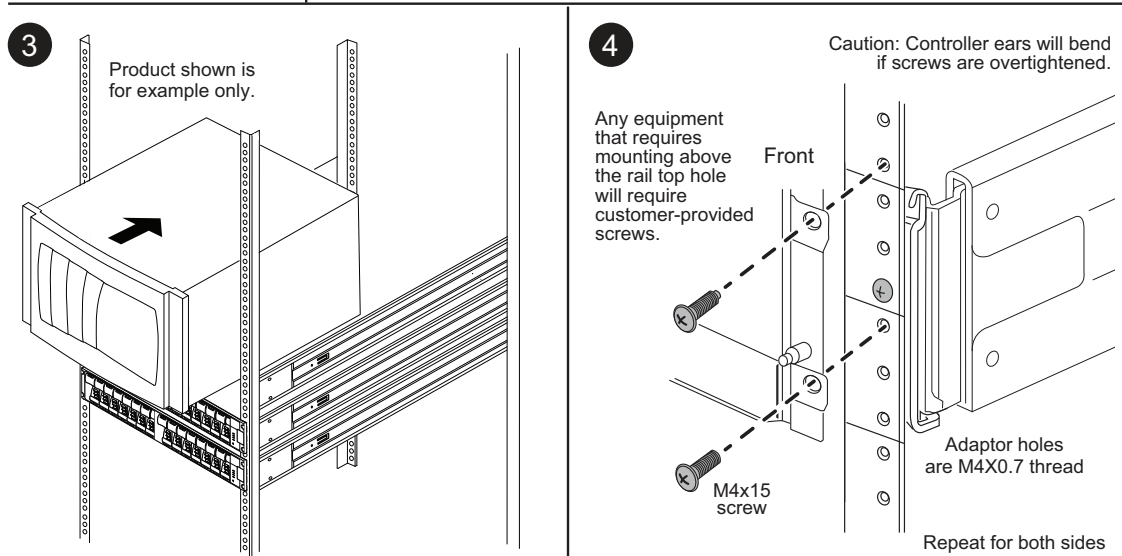
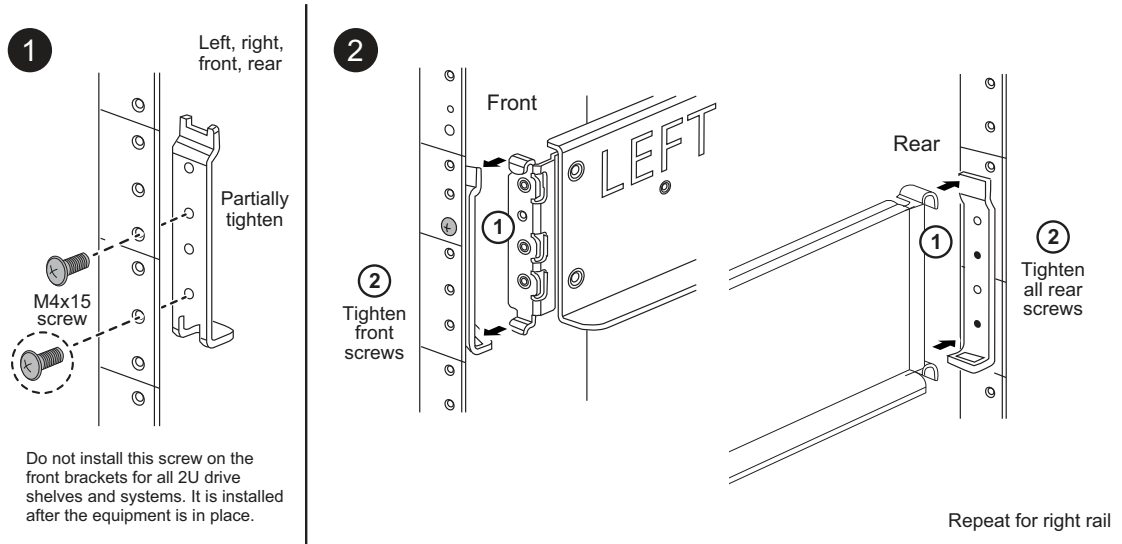
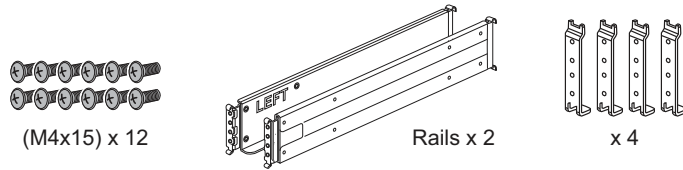
Lenovo ThinkSystem DM/DE Series 2U24, 3U, 4U rail kit installation instructions

The Rail can be either installed on a standard square-hole four-post rack or a standard round-hole four-post rack by using the round-to-square hole adaptor brackets. Before you begin, verify that you have the correct rail type by examining the PN label located on the rail (PN: SM17A38397).

Installing Rail to square-hole four-post rack



Installing Rail to round-hole four-post rack



First Edition (September 2018)

© Copyright Lenovo 2018.

LENOVO and THINKSYSTEM are trademarks of Lenovo. All other trademarks are the property of their respective owners. © 2018 Lenovo.

LIMITED AND RESTRICTED RIGHTS NOTICE: If data or software is delivered pursuant to a General Services Administration (GSA) contract, use, reproduction, or disclosure is subject to restrictions set forth in Contract No. GS-35F-05925.

Printed in China
(1P) P/N: SP47A12548

