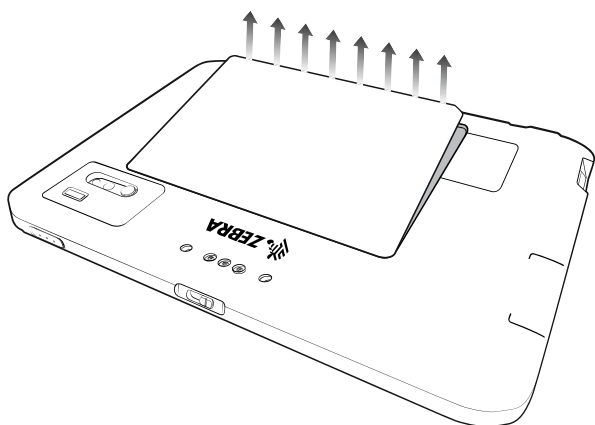
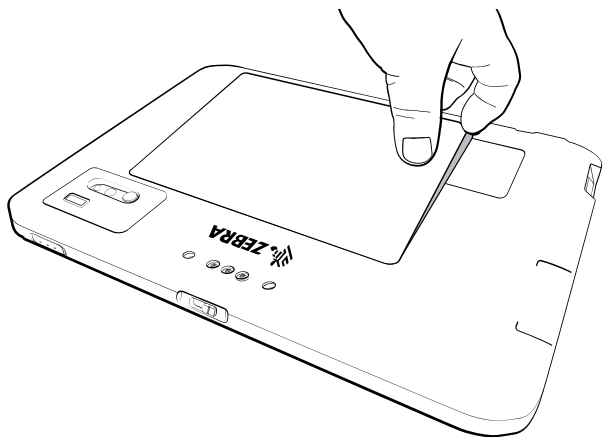


# ET80/ET85 Smart Card Expansion Back and Kickstand Installation Guide

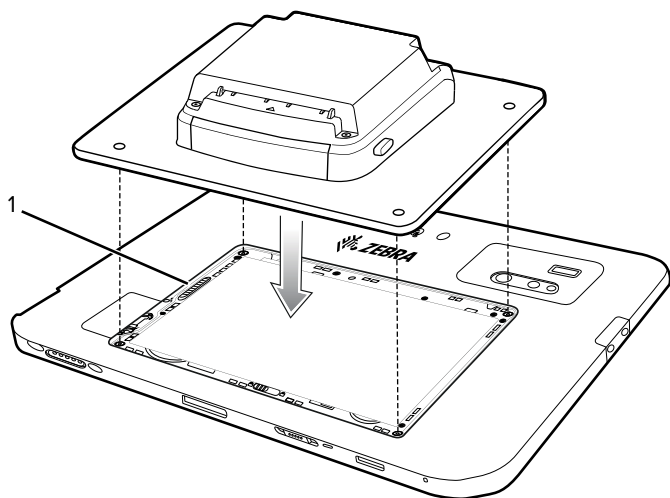


This guide applies to parts ZBK-ET8X-SMARTCARD-01 and ZBK-ET8X-KICKSTAND-01 (sold separately). For use only with power pack part number BTRY-ET8X-PRPK1-01.

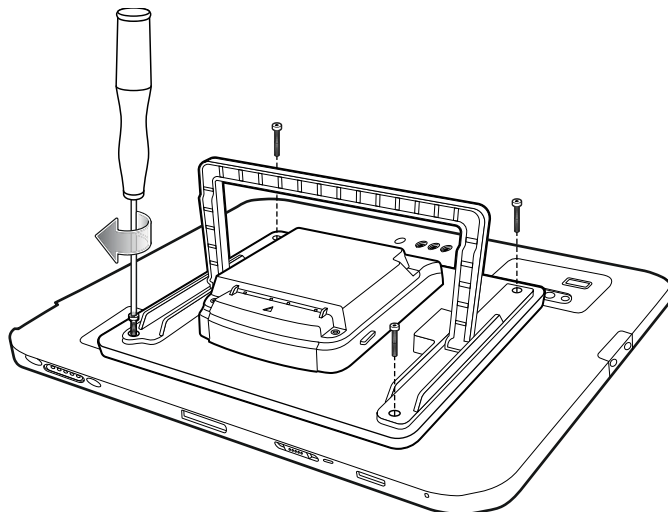
1. Power off the tablet before installing or removing the expansion back.
2. Lift the notched corner of the battery cover and carefully lift the battery cover off of the tablet. Store the cover in a safe place.



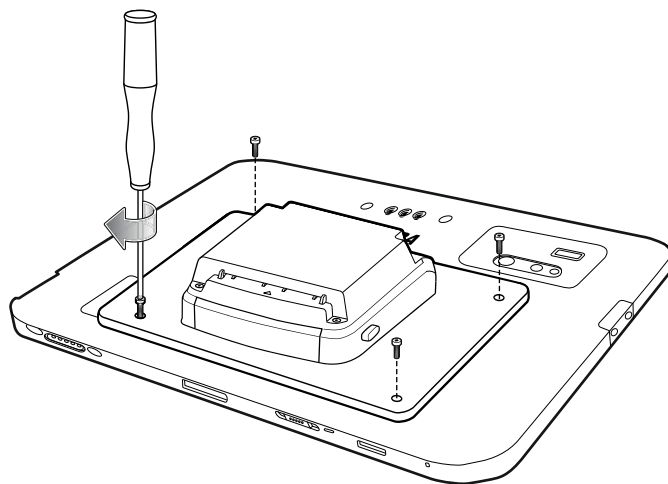
3. Ensure that the interface connector on the expansion back aligns with the interface connector (1) on the tablet.



4. Align the small plastic clips on the back of the expansion back with the slots in the tablet.
5. Firmly push the expansion back down onto the tablet.
6. If installing the kickstand:
  - a. Align the kickstand over the expansion back as shown.
  - b. Using a #1 Phillips screwdriver, secure the kickstand and expansion back to the tablet.Make sure to use the longer screws supplied with the kickstand.



7. If not installing the kickstand:
  - a. Using a T6 Torx screwdriver, secure the expansion back to the tablet.  
Make sure to use the shorter screws supplied with the expansion back.
  - b. Torque the screws to 14 n-cm (1.24 lbf-in).



**NOTE:** The engraved arrow on the expansion back indicates the location of the card contacts.

