

# WARNING AND PROTECTION PROFILES

Prevent accidents before they happen!  
Mark hazardous areas and mitigate knocks and bumps



Flexible and easy to attach

Suitable for indoor applications

Protects against injuries and damage



## Warning and protection profiles

By both visibly marking and softly rounding off angular and sharp edges, you can reduce the risk of injury and also protect shelves, walls and machines from damage.

The self-adhesive, flexible caution and protection profiles are ideal for indoor applications and can be used to mark hazardous areas as well as reduce the severity of knocks and bumps.

### Corner protection profiles

Ideal for use in production facilities, dispatch and warehouses, basements, stairways, garages, on walls and beams, shelves and cupboards as well as on machines, storage trolleys, etc. Mark hazardous areas, protect surfaces, walls and reduce knocks and bumps.



# 1100



# 1101



# 1102

### Surface protection profiles

Ideal for use in production facilities, dispatch and warehouses, basements, stairways, garages, on walls and beams, shelves and cupboards as well as on machines, storage trolleys, etc. Mark hazardous areas, protect surfaces, walls and reduce knocks and bumps.



# 1109



# 1107



# 1108

### Pipe protection profile

Suitable for pipes or conduits 20–40 mm in diameter that, for structural reasons, are placed near walkways. Ideal for use in production facilities, dispatch and warehouses, stairways or narrow areas such as basements or garages with low entrances, etc. Mark hazardous areas, protects pipes and conduits and reduces the severity of knocks and bumps.



# 1115

### Edge protection profiles

Ideal for protecting shelves, abutting edges, t-beams, etc. in production facilities, dispatch and warehouses, basements, stairways and garages. Marks hazardous areas, reduces the severity of knocks and bumps, and prevents damage to vehicles and transport trolleys.



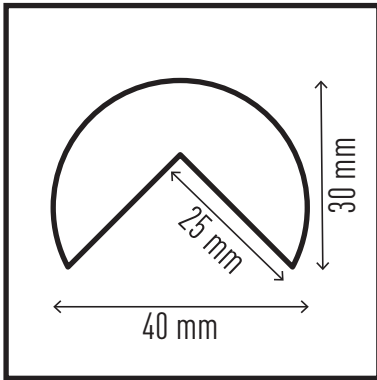
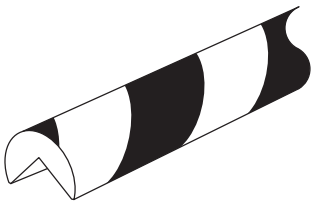
# 1126



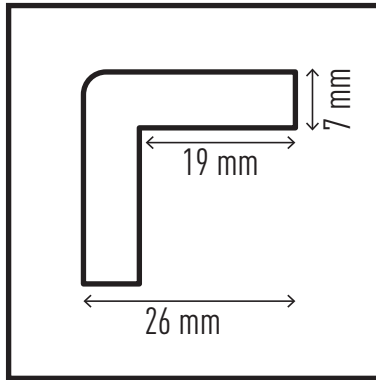
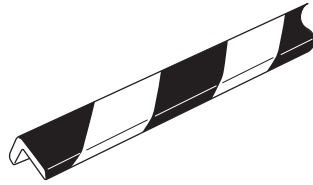
# 1127

- Profiles can be shortened to the desired length using a sharp knife
- Colour similar to RAL 1004/9003 signal yellow/signal black
- Fire tested according to DIN EN 13501-1 class E
- Temperature resistant from -30 °C to +70 °C
- Profile length: 1 m

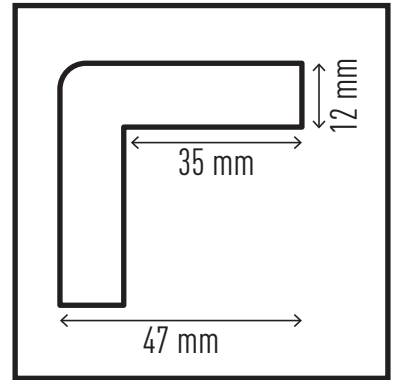
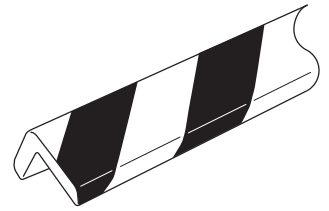
Product	Item no.	Colour	Packaging
Corner protection profile C25R	1100...	130 yellow/black	5 per pack
Corner protection profile C19	1101...	130 yellow/black	5 per pack
Corner protection profile C35	1102...	130 yellow/black	5 per pack
Surface protection profile S10	1107...	130 yellow/black	5 per pack
Surface protection profile S20	1108...	130 yellow/black	5 per pack
Surface protection profile S32R	1109...	130 yellow/black	5 per pack
Pipe protection profile P30	1115...	130 yellow/black	5 per pack
Edge protection profile E8R	1126...	130 yellow/black	5 per pack
Edge protection profile E8	1127...	130 yellow/black	5 per pack



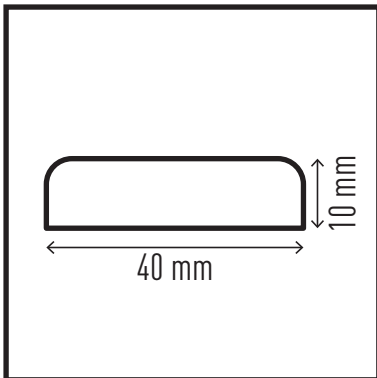
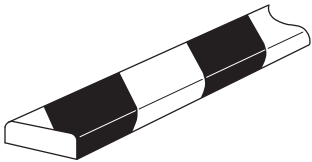
Corner protection profile C25R  
#1100-130



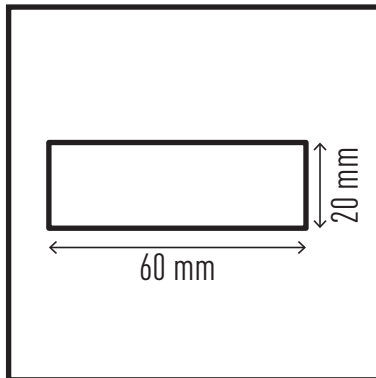
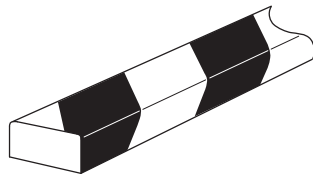
Corner protection profile C19  
#1101-130



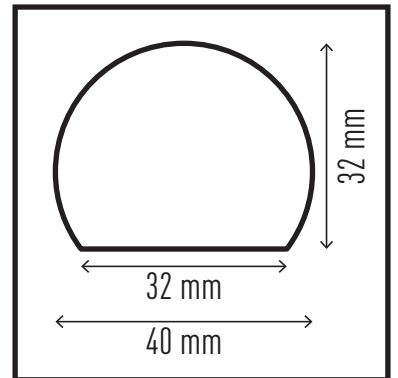
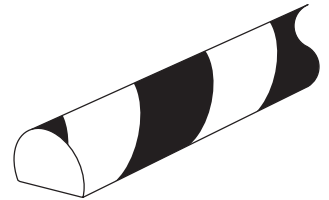
Corner protection profile C35  
#1102-130



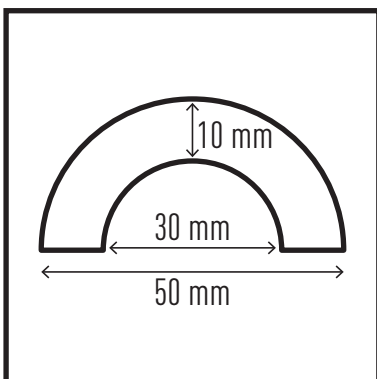
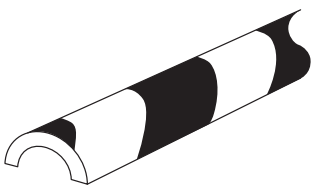
Surface protection profile S10  
#1107-130



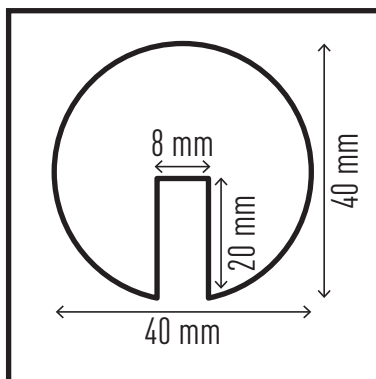
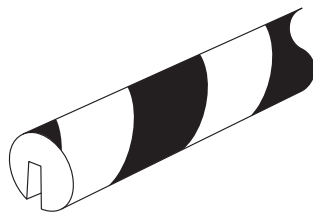
Surface protection profile S20  
#1108-130



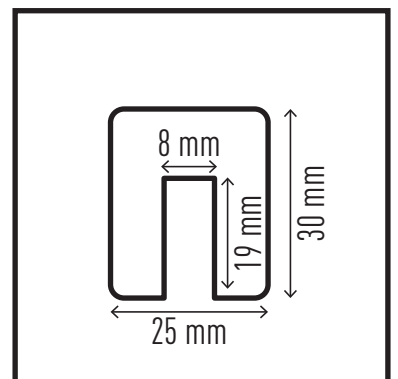
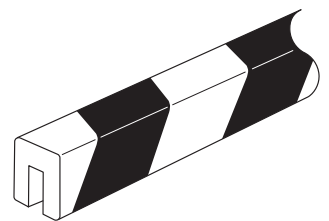
Surface protection profile S32R  
#1109-130



Pipe protection profile P30  
#1115-130



Edge protection profile E8R  
#1126-130



Edge protection profile E8  
#1127-130