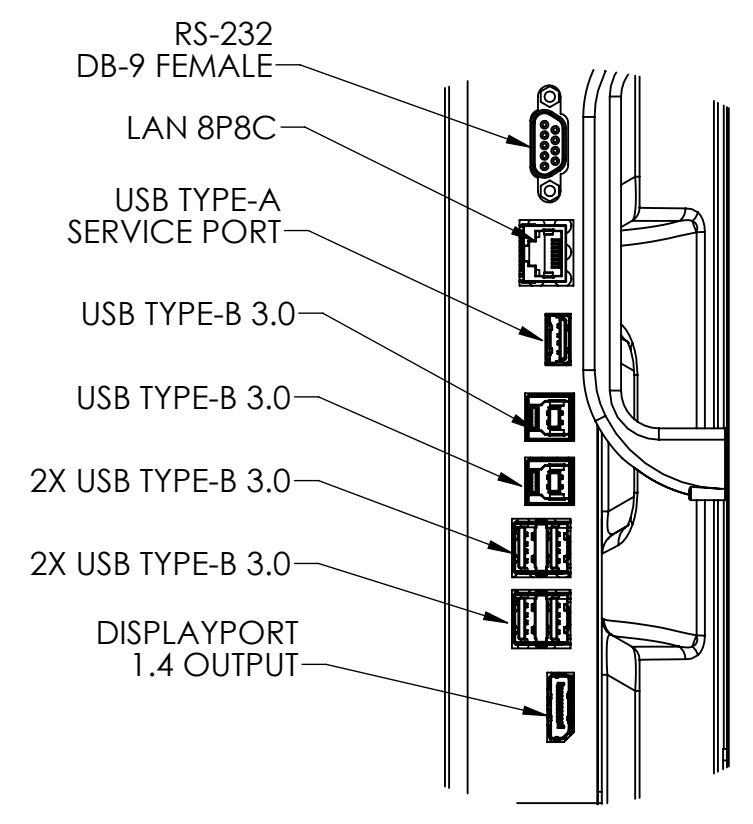
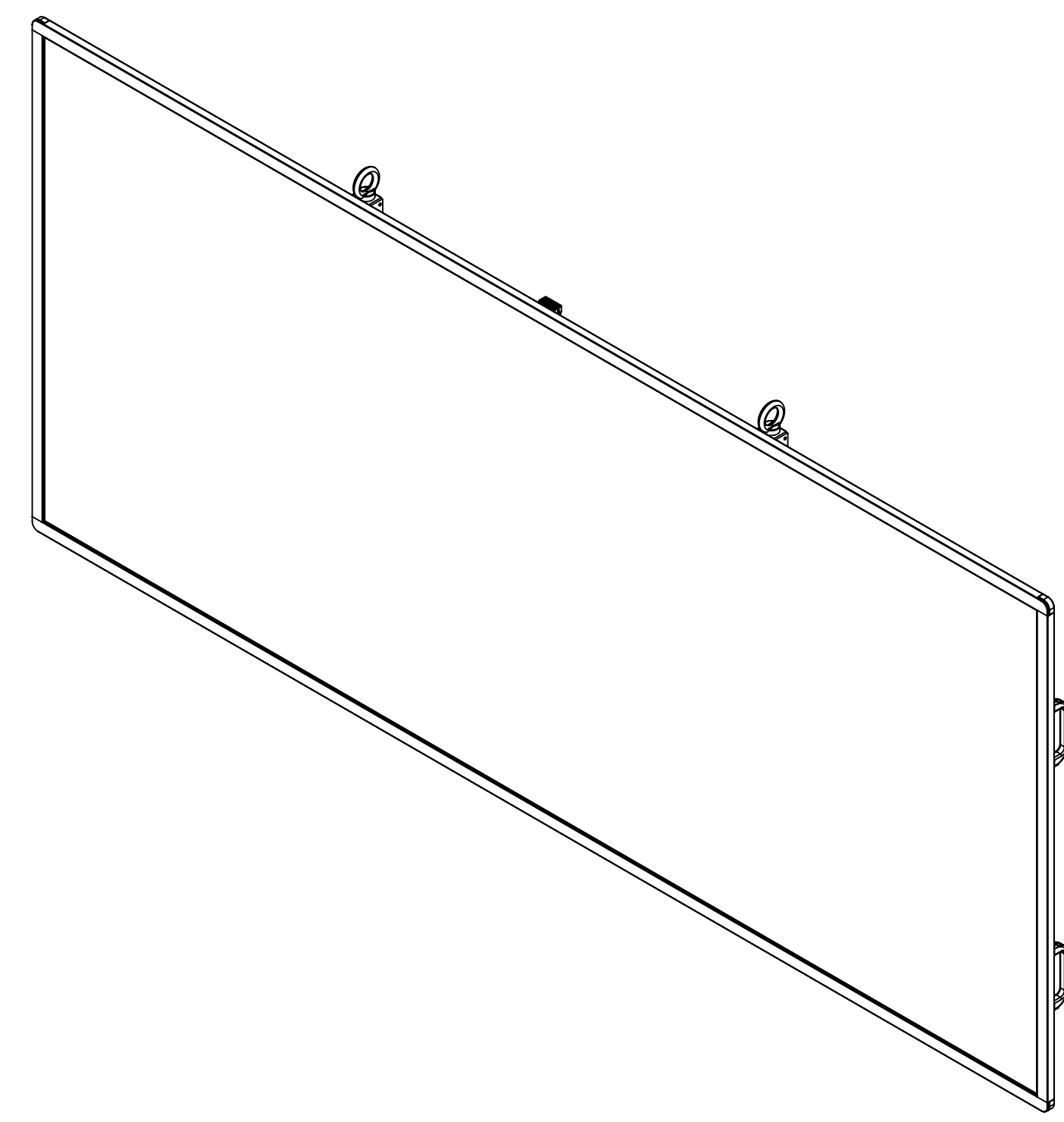
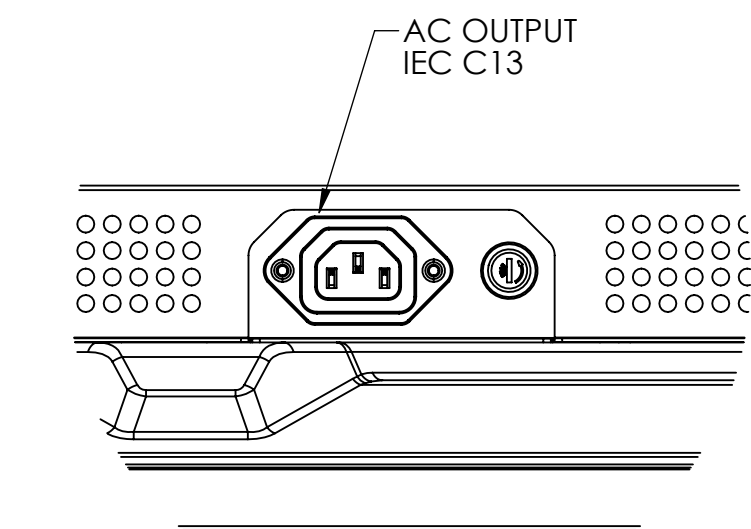


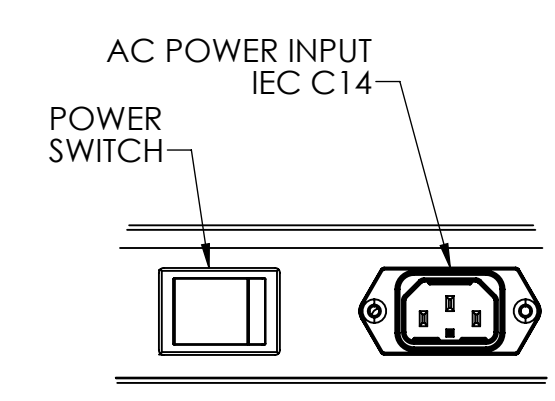
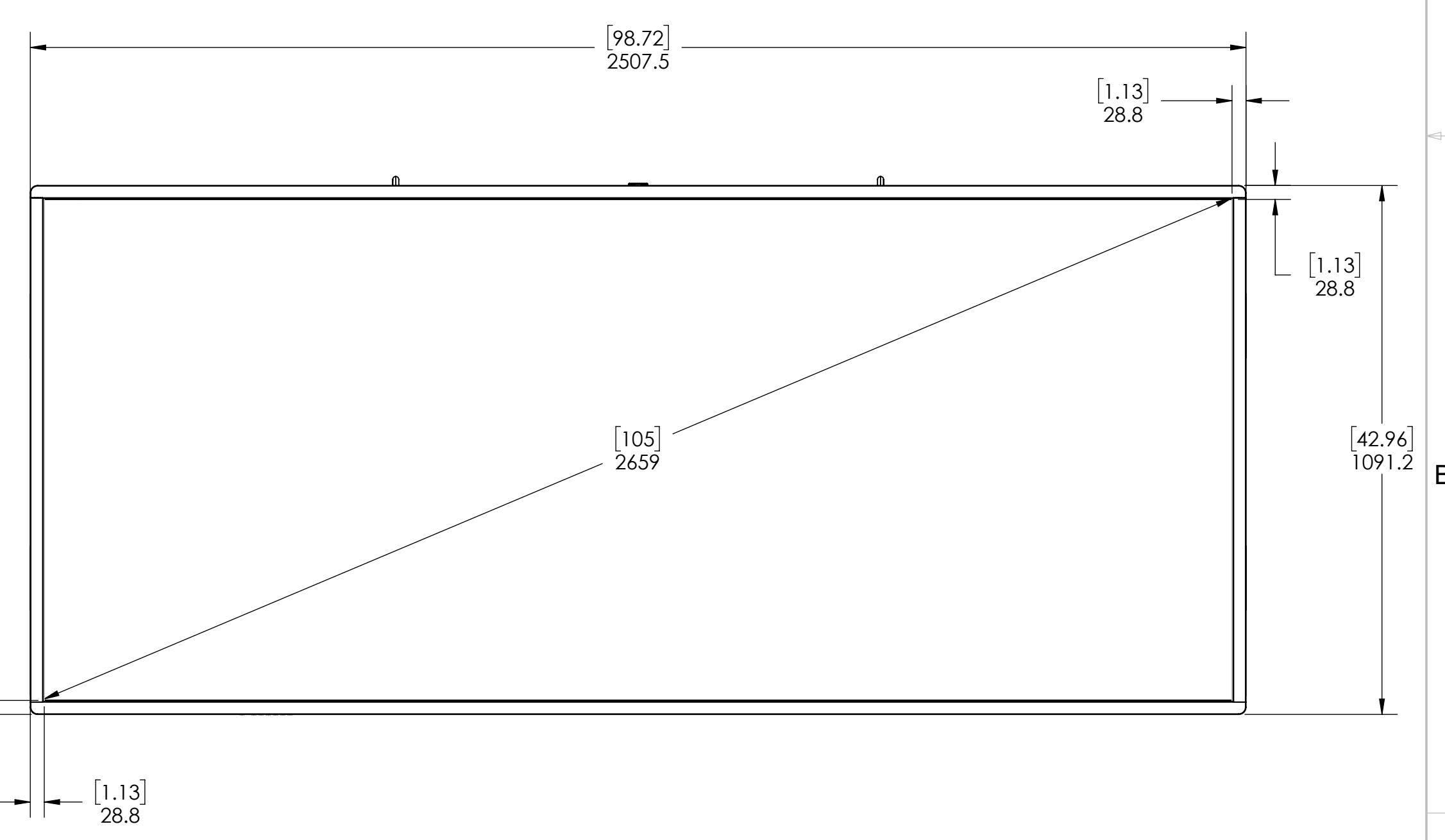
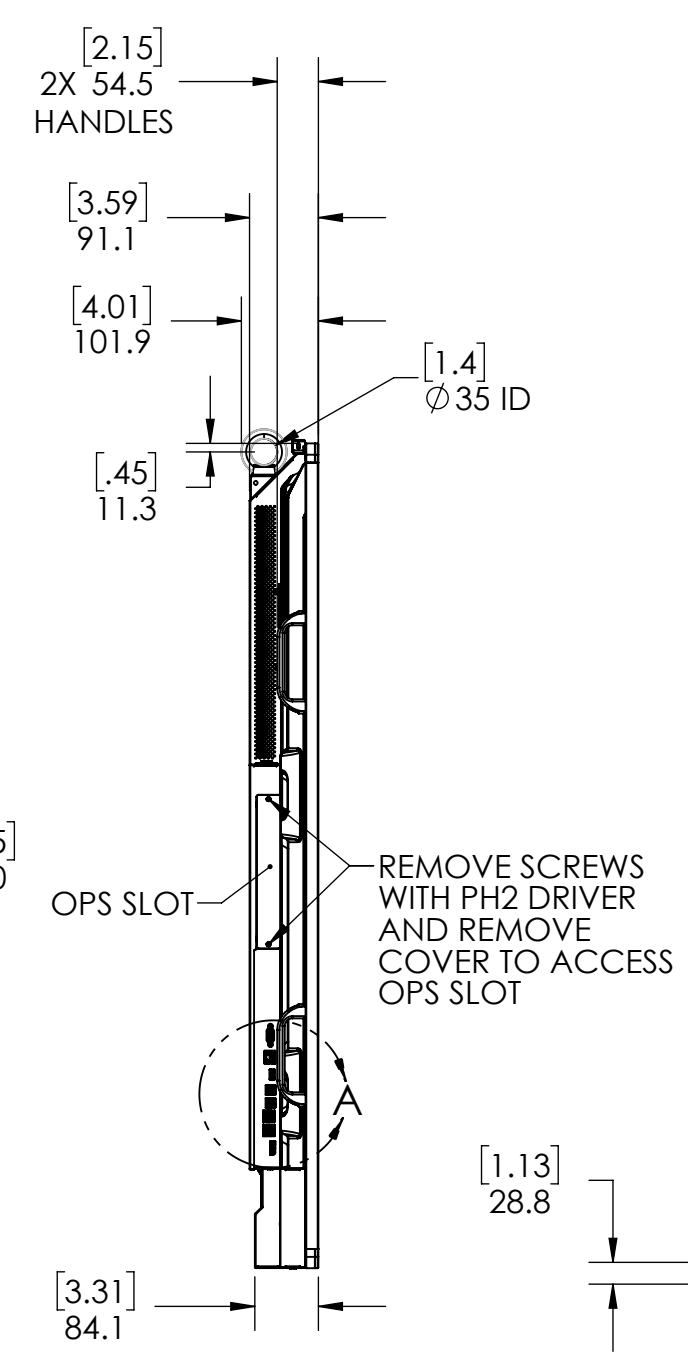
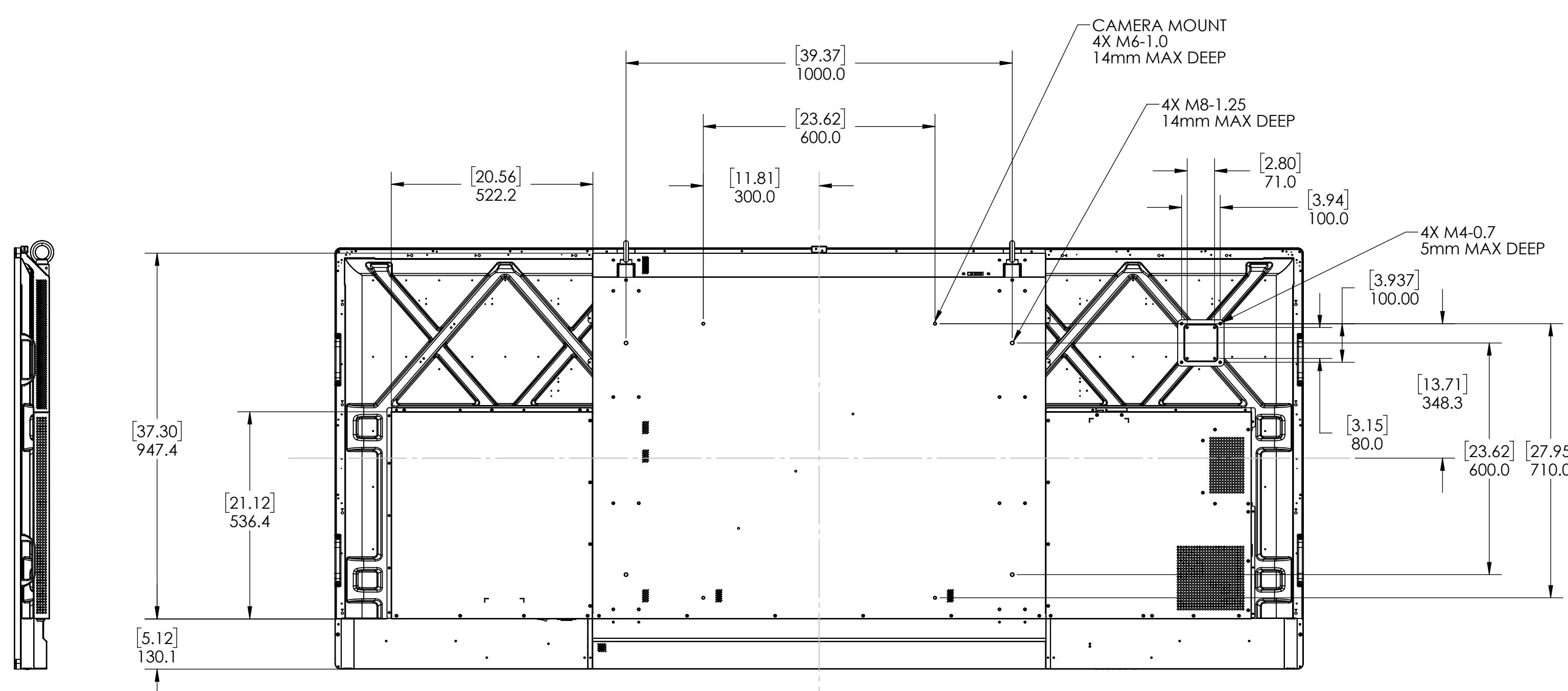
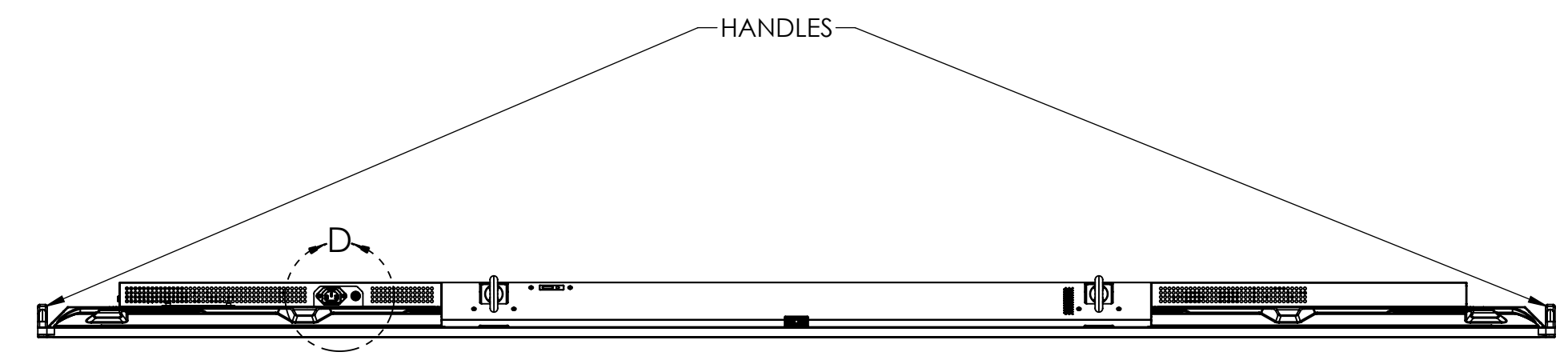
REVISION HISTORY					
ECO	ZONE	REV.	DESCRIPTION	DATE	APPR'D



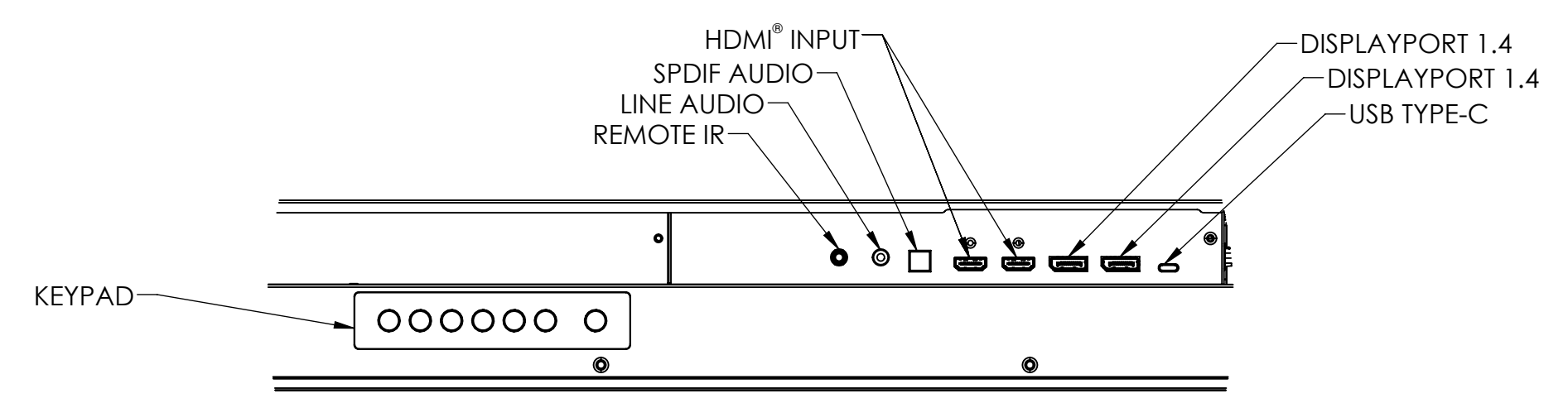
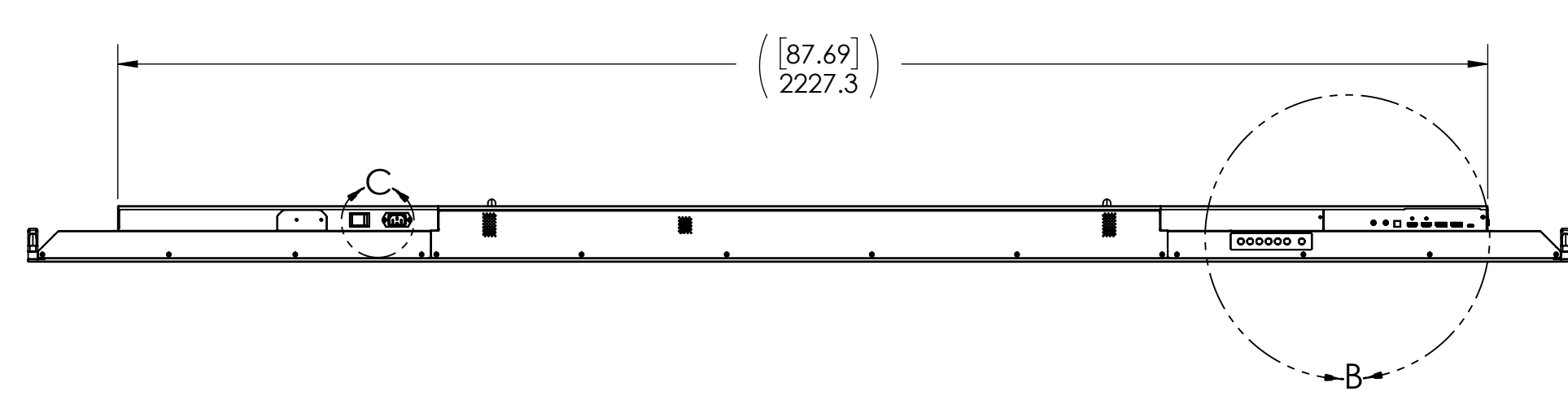
DETAIL A
SCALE 1 : 2



DETAIL D
SCALE 1 : 2



DETAIL C
SCALE 1 : 2



DETAIL B
SCALE 1 : 3

- NOTES: UNLESS OTHERWISE SPECIFIED
- THE TERMS HDMI, HDMI HIGH-DEFINITION MULTIMEDIA INTERFACE, HDMI TRADE DRESS AND THE HDMI LOGOS ARE TRADEMARKS OR REGISTERED TRADEMARKS OF HDMI LICENSING ADMINISTRATOR, INC.
 - LIFTING EYEBOLTS REMOVABLE AFTER INSTALLATION.
 - KEEP PERFORATION AREAS CLEAR FOR VENTILATION.
 - SPECIFICATIONS SUBJECT TO CHANGE WITHOUT NOTICE.

UNLESS OTHERWISE SPECIFIED DIMENSIONS ARE IN MILLIMETERS (INCHES)		ENGR BY 29 Mar 23	 PLANAR SYSTEMS, INC. 1195 NE COMPTON DRIVE HILLSBORO, OR 97006 USA
TOLERANCES:		DRAWN BY	
X= ±1	XX= ±.25	CHECKED BY	URW105
.X= ±.5	∠= ±1°	29 Mar 23	
DIMENSIONING AND TOLERANCING PER ASME Y14.5M-1994		USED ON	SIZE PART NO DRAWING NO REV D 998-3424-01 998-3424-01 A
THIRD ANGLE PROJECTION		MATERIAL	
		FINISH	SCALE 1:10 DO NOT SCALE SHEET 1 OF 1

THIS DRAWING CONTAINS INFORMATION PROPRIETARY TO PLANAR SYSTEMS, INC. ANY REPRODUCTION IN PART OR WHOLE WITHOUT THE WRITTEN PERMISSION OF PLANAR SYSTEMS IS PROHIBITED. THIS DRAWING IS SUPPLIED FOR INFORMATION, IDENTIFICATION, ENGINEERING, EVALUATION, AND/OR INSPECTION PURPOSES ONLY AND MAY NOT BE USED AS BASIS FOR THE MANUFACTURING OF PRODUCTS OR THE FURNISHING OF SERVICES TO PLANAR SYSTEMS OR TO ANY THIRD PARTY UNLESS AUTHORIZED IN WRITING BY PLANAR SYSTEMS.