



# ThinkSystem ST250 V3 Hardware Maintenance Guide



**Machine Types:** 7DCE, 7DCF

## Note

Before using this information and the product it supports, be sure to read and understand the safety information and the safety instructions, which are available at:

[https://pubs.lenovo.com/safety\\_documentation/](https://pubs.lenovo.com/safety_documentation/)

In addition, be sure that you are familiar with the terms and conditions of the Lenovo warranty for your server, which can be found at:

<http://datacentersupport.lenovo.com/warrantylookup>

**Eleventh Edition (August 2024)**

**© Copyright Lenovo 2024.**

LIMITED AND RESTRICTED RIGHTS NOTICE: If data or software is delivered pursuant to a General Services Administration (GSA) contract, use, reproduction, or disclosure is subject to restrictions set forth in Contract No. GS-35F-05925.

---

# Contents

<b>Contents</b> . . . . .	<b>i</b>
---------------------------	----------

<b>Safety</b> . . . . .	<b>.iii</b>
-------------------------	-------------

Safety inspection checklist . . . . .	iv
---------------------------------------	----

## **Chapter 1. Hardware replacement procedures.** . . . . . **1**

Installation Guidelines . . . . .	1
Safety inspection checklist. . . . .	2
System reliability guidelines . . . . .	3
Working inside the server with the power on . . . . .	4
Handling static-sensitive devices . . . . .	4
Memory module installation rules and order . . . . .	5
Power on and power off the server . . . . .	7
Power on the server . . . . .	7
Power off the server . . . . .	7
3.5-inch/2.5-inch drive cage replacement. . . . .	8
Remove the 3.5-inch/2.5-inch drive cage . . . . .	8
Install the 3.5-inch/2.5-inch drive cage . . . . .	10
3.5-inch/2.5-inch hot-swap drive backplane replacement . . . . .	11
Remove the 3.5-inch/2.5-inch hot-swap drive backplane . . . . .	12
Install the 3.5-inch/2.5-inch hot-swap drive backplane . . . . .	14
3.5-inch simple-swap drive backplate replacement . . . . .	15
Remove the 3.5-inch simple-swap drive backplate . . . . .	15
Install the 3.5-inch simple-swap drive backplate . . . . .	17
CMOS battery (CR2032) replacement . . . . .	18
Remove the CMOS battery (CR2032) . . . . .	18
Install the CMOS battery (CR2032) . . . . .	20
Drive replacement . . . . .	22
Remove a 2.5-/3.5-inch hot-swap drive. . . . .	22
Install a 2.5-/3.5-inch hot-swap drive. . . . .	24
Remove a simple-swap drive. . . . .	25
Install a simple-swap drive. . . . .	27
2.5-inch drive replacement from 3.5-inch drive bay . . . . .	29
Fan replacement . . . . .	33
Remove the front system fan . . . . .	33
Install the front system fan . . . . .	35
Remove the rear system fan . . . . .	37
Install the rear system fan . . . . .	38
Front bezel replacement . . . . .	41
Remove the front bezel . . . . .	41

Install the front bezel . . . . .	42
Front door replacement. . . . .	43
Remove the front door . . . . .	43
Install the front door . . . . .	44
Front I/O module replacement . . . . .	46
Remove the front I/O module. . . . .	46
Install the front I/O module. . . . .	47
Heat sink and fan module replacement. . . . .	49
Remove the heat sink and fan module . . . . .	49
Install the heat sink and the fan module. . . . .	51
Intrusion switch replacement . . . . .	54
Remove the intrusion switch . . . . .	54
Install the intrusion switch . . . . .	55
M.2 boot adapter replacement . . . . .	56
Remove the M.2 boot adapter . . . . .	56
Install the M.2 boot adapter . . . . .	58
M.2 drive replacement . . . . .	61
Remove an M.2 drive . . . . .	61
Adjust the retainer on the M.2 boot adapter . . . . .	62
Install an M.2 drive . . . . .	63
Memory module replacement . . . . .	65
Remove a memory module . . . . .	65
Install a memory module . . . . .	68
Optical drive replacement . . . . .	71
Remove an optical drive. . . . .	71
Install an optical drive. . . . .	73
PCIe adapter replacement. . . . .	77
Remove the PCIe adapter . . . . .	77
Install the PCIe adapter . . . . .	79
Power distribution board replacement . . . . .	80
Remove the power distribution board . . . . .	80
Install the power distribution board . . . . .	82
Power supply replacement . . . . .	85
Remove the fixed power supply unit . . . . .	85
Install the fixed power supply unit . . . . .	88
Remove the hot-swap power supply unit . . . . .	91
Install the hot-swap power supply unit . . . . .	94
Processor replacement . . . . .	99
Remove the processor . . . . .	99
Install the processor . . . . .	100
RAID flash power module replacement. . . . .	102
Remove a RAID flash power module . . . . .	102
Install a RAID flash power module . . . . .	105
Server replacement . . . . .	107
Remove the server from rack . . . . .	107
Install the server to rack . . . . .	109

Server cover replacement . . . . .	113
Remove the server cover . . . . .	113
Install the server cover . . . . .	115
System board replacement (trained technician only) . . . . .	118
Remove the firmware and RoT security module . . . . .	119
Install the firmware and RoT security module . . . . .	120
Remove the system board . . . . .	123
Install the system board . . . . .	125
Update the Vital Product Data (VPD) . . . . .	128
Hide/observe TPM . . . . .	129
Update the TPM firmware . . . . .	130
Enable UEFI Secure Boot . . . . .	131
Tape drive replacement . . . . .	132
Remove a tape drive . . . . .	132
Install a tape drive . . . . .	134
Complete the parts replacement . . . . .	135

**Chapter 2. Internal cable routing . . .137**

Identifying connectors . . . . .	137
Drive backplates/backplanes . . . . .	137
Power distribution board . . . . .	139
RAID adapters . . . . .	140
System-board connectors for cable routing . . . . .	142
Internal cable routing . . . . .	143
Fan power cable routing . . . . .	144
Front I/O module cable routing . . . . .	144
M.2 adapter cable routing . . . . .	146
Intrusion switch and RAID flash power module cable routing . . . . .	146
Optical/tape drives cable routing . . . . .	147
Fixed power supply cable routing . . . . .	148
Redundant power supplies cable routing . . . . .	150
Simple-swap drives cable routing . . . . .	151
Hot-swap drives cable routing . . . . .	156

**Chapter 3. Problem determination . . .169**

Event logs . . . . .	169
Specifications . . . . .	171
Technical specifications . . . . .	171
Mechanical specifications . . . . .	175
Environmental specifications . . . . .	176
System-board connectors . . . . .	178

Troubleshooting by system LEDs and diagnostics display . . . . .	180
Drive LEDs . . . . .	180
Front I/O modules LEDs . . . . .	181
Power supply LEDs . . . . .	183
System-board LEDs . . . . .	183
Firmware and RoT security module LEDs . . . . .	185
XCC system management port (10/100/1000 Mbps RJ-45) LEDs . . . . .	185
General problem determination procedures . . . . .	186
Resolving suspected power problems . . . . .	187
Resolving suspected Ethernet controller problems . . . . .	187
Troubleshooting by symptom . . . . .	188
Intermittent problems . . . . .	188
Keyboard, mouse, KVM switch or USB-device problems . . . . .	189
Memory problems . . . . .	190
Monitor and video problems . . . . .	192
Network problems . . . . .	193
Observable problems . . . . .	194
Optional-device problems . . . . .	196
Performance problems . . . . .	198
Power on and power off problems . . . . .	199
Power problems . . . . .	200
Serial-device problems . . . . .	200
Software problems . . . . .	201
Storage drive problems . . . . .	201

**Appendix A. Getting help and technical assistance . . .205**

Before you call . . . . .	205
Collecting service data . . . . .	206
Contacting Support . . . . .	207

**Appendix B. Documents and supports . . .209**

Documents download . . . . .	209
Support websites . . . . .	209

**Appendix C. Notices . . .211**

Trademarks . . . . .	212
Important notes . . . . .	212
Electronic emission notices . . . . .	212
Taiwan Region BSMI RoHS declaration . . . . .	213
Taiwan Region import and export contact information . . . . .	213

---

## Safety

Before installing this product, read the Safety Information.

قبل تركيب هذا المنتج، يجب قراءة الملاحظات الأمنية

Antes de instalar este produto, leia as Informações de Segurança.

在安装本产品之前，请仔细阅读 Safety Information（安全信息）。

安裝本產品之前，請先閱讀「安全資訊」。

Prije instalacije ovog produkta obavezno pročitajte Sigurnosne Upute.

Před instalací tohoto produktu si přečtěte příručku bezpečnostních instrukcí.

Læs sikkerhedsforskrifterne, før du installerer dette produkt.

Lees voordat u dit product installeert eerst de veiligheidsvoorschriften.

Ennen kuin asennat tämän tuotteen, lue turvaohjeet kohdasta Safety Information.

Avant d'installer ce produit, lisez les consignes de sécurité.

Vor der Installation dieses Produkts die Sicherheitshinweise lesen.

Πριν εγκαταστήσετε το προϊόν αυτό, διαβάστε τις πληροφορίες ασφάλειας (safety information).

לפני שתתקינו מוצר זה, קראו את הוראות הבטיחות.

A termék telepítése előtt olvassa el a Biztonsági előírásokat!

Prima di installare questo prodotto, leggere le Informazioni sulla Sicurezza.

製品の設置の前に、安全情報をお読みください。

본 제품을 설치하기 전에 안전 정보를 읽으십시오.

Пред да се инсталира овој продукт, прочитајте информацијата за безбедност.



Les sikkerhetsinformasjonen (Safety Information) før du installerer dette produktet.

Przed zainstalowaniem tego produktu, należy zapoznać się z książką "Informacje dotyczące bezpieczeństwa" (Safety Information).

Antes de instalar este produto, leia as Informações sobre Segurança.

Перед установкой продукта прочтите инструкции по технике безопасности.

Pred inštaláciou tohto zariadenia si pečítajte Bezpečnostné predpisy.

Pred namestitvijo tega proizvoda preberite Varnostne informacije.

Antes de instalar este producto, lea la información de seguridad.

Läs säkerhetsinformationen innan du installerar den här produkten.

ཐོན་ཇུས་འདི་བདེ་སྤྱོད་མ་བྱས་གོང་། སྐྱོར་གྱི་ཡིད་གཟབ་  
བྱ་འདྲ་མིན་ཡོད་པའི་འོད་སྤེར་བལྟ་དགོས།

Bu ürünü kurmadan önce güvenlik bilgilerini okuyun.

مەزكۇر مەھسۇلاتنى ئورنىتىشتىن بۇرۇن بىخەتەرلىك ئۇچۇرلىرىنى ئوقۇپ چىقىڭ.

Youq mwngz yungh canjbinj neix gaxgonq, itdingh aeu doeg aen  
canjbinj soengq cungj vahgangj ancien siusik.

---

## Safety inspection checklist

Use the information in this section to identify potentially unsafe conditions with your server. As each machine was designed and built, required safety items were installed to protect users and service technicians from injury.

**Note:** The product is not suitable for use at visual display workplaces according to §2 of the Workplace Regulations.

**Attention:** This is a Class A product. In a domestic environment, this product may cause radio interference in which case the user may be required to take adequate measures.

### CAUTION:

**This equipment must be installed or serviced by trained personnel, as defined by the NEC, IEC 62368-1 & IEC 60950-1, the standard for Safety of Electronic Equipment within the Field of Audio/Video, Information Technology and Communication Technology. Lenovo assumes you are qualified in the servicing of equipment and trained in recognizing hazards energy levels in products. Access to the equipment is by the use of a tool, lock and key, or other means of security.**

**Important:** Electrical grounding of the server is required for operator safety and correct system function. Proper grounding of the electrical outlet can be verified by a certified electrician.

Use the following checklist to verify that there are no potentially unsafe conditions:

1. Make sure that the power is off and the power cord is disconnected.
2. Check the power cord.
  - Make sure that the third-wire ground connector is in good condition. Use a meter to measure third-wire ground continuity for 0.1 ohm or less between the external ground pin and the frame ground.
  - Make sure that the power cord is the correct type.

To view the power cords that are available for the server:

- a. Go to:

<http://dcsc.lenovo.com/#/>

- b. Click **Preconfigured Model** or **Configure to order**.
- c. Enter the machine type and model for your server to display the configurator page.
- d. Click **Power → Power Cables** to see all line cords.
  - Make sure that the insulation is not frayed or worn.
3. Check for any obvious non-Lenovo alterations. Use good judgment as to the safety of any non-Lenovo alterations.
4. Check inside the server for any obvious unsafe conditions, such as metal filings, contamination, water or other liquid, or signs of fire or smoke damage.
5. Check for worn, frayed, or pinched cables.
6. Make sure that the power-supply cover fasteners (screws or rivets) have not been removed or tampered with.





---

# Chapter 1. Hardware replacement procedures

This section provides installation and removal procedures for all serviceable system components. Each component replacement procedure references any tasks that need to be performed to gain access to the component being replaced.

---

## Installation Guidelines

Before installing components in your server, read the installation guidelines.

Before installing optional devices, read the following notices carefully:

**Attention:** Prevent exposure to static electricity, which might lead to system halt and loss of data, by keeping static-sensitive components in their static-protective packages until installation, and handling these devices with an electrostatic-discharge wrist strap or other grounding system.

- Read the safety information and guidelines to ensure your safety at work:
  - A complete list of safety information for all products is available at:  
[https://pubs.lenovo.com/safety\\_documentation/](https://pubs.lenovo.com/safety_documentation/)
  - The following guidelines are available as well: “Working inside the server with the power on” on page 4 and “Handling static-sensitive devices” on page 4.
- Make sure the components you are installing are supported by your server.
  - For a list of supported optional components for the server, see <https://serverproven.lenovo.com>.
  - For the option package contents, see <https://serveroption.lenovo.com/>.
- For more information about ordering parts:
  1. Go to <http://datacentersupport.lenovo.com> and navigate to the support page for your server.
  2. Click **Parts**.
  3. Enter the serial number to view a listing of parts for your server.
- When you install a new server, download and apply the latest firmware. This will help ensure that any known issues are addressed, and that your server is ready to work with optimal performance. Go to <https://datacentersupport.lenovo.com/tw/en/products/servers/thinksystem/st250v3/7dce/downloads/driver-list/> to download firmware updates for your server.

**Important:** Some cluster solutions require specific code levels or coordinated code updates. If the component is part of a cluster solution, verify the latest Best Recipe code level menu for cluster supported firmware and driver before you update the code.

- If you replace a part, such as an adapter, that contains firmware, you might also need to update the firmware for that part. For more information about updating firmware, see “Update the firmware” in *User Guide* or *System Configuration Guide*.
- It is good practice to make sure that the server is working correctly before you install an optional component.
- Keep the working area clean, and place removed components on a flat and smooth surface that does not shake or tilt.
- Do not attempt to lift an object that might be too heavy for you. If you have to lift a heavy object, read the following precautions carefully:
  - Make sure that you can stand steadily without slipping.
  - Distribute the weight of the object equally between your feet.

- Use a slow lifting force. Never move suddenly or twist when you lift a heavy object.
- To avoid straining the muscles in your back, lift by standing or by pushing up with your leg muscles.
- Back up all important data before you make changes related to the disk drives.
- Have a small flat-blade screwdriver, a small Phillips screwdriver, and a T8 torx screwdriver available.
- To view the error LEDs on the system board (system board assembly) and internal components, leave the power on.
- You do not have to turn off the server to remove or install hot-swap power supplies, hot swap fans, or hot-plug USB devices. However, you must turn off the server before you perform any steps that involve removing or installing adapter cables, and you must disconnect the power source from the server before you perform any steps that involve removing or installing a riser card.
- When replacing power supply units or fans, make sure to refer to redundancy rules for these components.
- Blue on a component indicates touch points, where you can grip to remove a component from or install it in the server, open or close a latch, and so on.
- Except PSU, orange on a component or a orange on or near a component indicates that the component can be hot-swapped if the server and operating system support hot-swap capability, which means that you can remove or install the component while the server is still running. (Orange can also indicate touch points on hot-swap components.) See the instructions for removing or installing a specific hot-swap component for any additional procedures that you might have to perform before you remove or install the component.
- PSU with a release tab is a hot-swap PSU. The color of the release tab does not affect the serviceability of the PSU.
- The red strip on the drives, adjacent to the release latch, indicates that the drive can be hot-swapped if the server and operating system support hot-swap capability. This means that you can remove or install the drive while the server is still running.

**Note:** See the system specific instructions for removing or installing a hot-swap drive for any additional procedures that you might need to perform before you remove or install the drive.

- After finishing working on the server, make sure you reinstall all safety shields, guards, labels, and ground wires.

## Safety inspection checklist

Use the information in this section to identify potentially unsafe conditions with your server. As each machine was designed and built, required safety items were installed to protect users and service technicians from injury.

**Note:** The product is not suitable for use at visual display workplaces according to §2 of the Workplace Regulations.

**Attention:** This is a Class A product. In a domestic environment, this product may cause radio interference in which case the user may be required to take adequate measures.

### CAUTION:

**This equipment must be installed or serviced by trained personnel, as defined by the NEC, IEC 62368-1 & IEC 60950-1, the standard for Safety of Electronic Equipment within the Field of Audio/Video, Information Technology and Communication Technology. Lenovo assumes you are qualified in the servicing of equipment and trained in recognizing hazards energy levels in products. Access to the equipment is by the use of a tool, lock and key, or other means of security.**

**Important:** Electrical grounding of the server is required for operator safety and correct system function. Proper grounding of the electrical outlet can be verified by a certified electrician.

Use the following checklist to verify that there are no potentially unsafe conditions:

1. Make sure that the power is off and the power cord is disconnected.
  2. Check the power cord.
    - Make sure that the third-wire ground connector is in good condition. Use a meter to measure third-wire ground continuity for 0.1 ohm or less between the external ground pin and the frame ground.
    - Make sure that the power cord is the correct type.
- To view the power cords that are available for the server:
- a. Go to:
    - <http://dcsc.lenovo.com/#/>
    - b. Click **Preconfigured Model** or **Configure to order**.
    - c. Enter the machine type and model for your server to display the configurator page.
    - d. Click **Power → Power Cables** to see all line cords.
  - Make sure that the insulation is not frayed or worn.
3. Check for any obvious non-Lenovo alterations. Use good judgment as to the safety of any non-Lenovo alterations.
  4. Check inside the server for any obvious unsafe conditions, such as metal filings, contamination, water or other liquid, or signs of fire or smoke damage.
  5. Check for worn, frayed, or pinched cables.
  6. Make sure that the power-supply cover fasteners (screws or rivets) have not been removed or tampered with.

## System reliability guidelines

Review the system reliability guidelines to ensure proper system cooling and reliability.

Make sure the following requirements are met:

- When the server comes with redundant power, a power supply must be installed in each power-supply bay.
- Adequate space around the server must be spared to allow server cooling system to work properly. Leave approximately 50 mm (2.0 in.) of open space around the front and rear of the server. Do not place any object in front of the fans.
- For proper cooling and airflow, refit the server cover before you turn the power on. Do not operate the server for more than 30 minutes with the server cover removed, for it might damage server components.
- Cabling instructions that come with optional components must be followed.
- A failed fan must be replaced within 48 hours after malfunction.
- A removed hot-swap fan must be replaced within 30 seconds after removal.
- A removed hot-swap drive must be replaced within two minutes after removal.
- A removed hot-swap power supply must be replaced within two minutes after removal.
- Every air baffle that comes with the server must be installed when the server starts (some servers might come with more than one air baffle). Operating the server with a missing air baffle might damage the processor.
- All processor sockets must contain either a socket cover or a processor with heat sink.
- When more than one processor is installed, fan population rules for each server must be strictly followed.

## Working inside the server with the power on

You might need to keep the power on with the server cover removed to look at system information on the display panel or to replace hot-swap components. Review these guidelines before doing so.

**Attention:** The server might stop and data loss might occur when internal server components are exposed to static electricity. To avoid this potential problem, always use an electrostatic-discharge wrist strap or other grounding systems when working inside the server with the power on.

- Avoid loose-fitting clothing, particularly around your forearms. Button or roll up long sleeves before working inside the server.
- Prevent your necktie, scarf, badge rope, or hair from dangling into the server.
- Remove jewelry, such as bracelets, necklaces, rings, cuff links, and wrist watches.
- Remove items from your shirt pocket, such as pens and pencils, in case they fall into the server as you lean over it.
- Avoid dropping any metallic objects, such as paper clips, hairpins, and screws, into the server.

## Handling static-sensitive devices

Review these guidelines before you handle static-sensitive devices to reduce the possibility of damage from electrostatic discharge.

**Attention:** Prevent exposure to static electricity, which might lead to system halt and loss of data, by keeping static-sensitive components in their static-protective packages until installation, and handling these devices with an electrostatic-discharge wrist strap or other grounding system.

- Limit your movement to prevent building up static electricity around you.
- Take additional care when handling devices during cold weather, for heating would reduce indoor humidity and increase static electricity.
- Always use an electrostatic-discharge wrist strap or other grounding system, particularly when working inside the server with the power on.
- While the device is still in its static-protective package, touch it to an unpainted metal surface on the outside of the server for at least two seconds. This drains static electricity from the package and from your body.
- Remove the device from the package and install it directly into the server without putting it down. If it is necessary to put the device down, put it back into the static-protective package. Never place the device on the server or on any metal surface.
- When handling a device, carefully hold it by the edges or the frame.
- Do not touch solder joints, pins, or exposed circuitry.
- Keep the device from others' reach to prevent possible damages.

---

## Memory module installation rules and order

Memory modules must be installed in a specific order based on the memory configuration that you implement and the number of processors and memory modules installed in the server.

### Supported type of memory modules

For information on the types of memory module supported by this server, see “Memory” section in [“Technical specifications” on page 171](#).

Information about optimizing memory performance and configuring memory is available at the Lenovo Press website:

<https://lenovopress.lenovo.com/servers/options/memory>

In addition, you can take advantage of a memory configurator, which is available at the following site:

[https://dcsc.lenovo.com/#/memory\\_configuration](https://dcsc.lenovo.com/#/memory_configuration)

Specific information about the required installation order of memory modules in your server based on the system configuration and memory mode that you are implementing is shown below.

## Numbers and the location of memory module slots

This server comes with four memory module slots. The following illustration shows the location of the memory module slots on the system board:

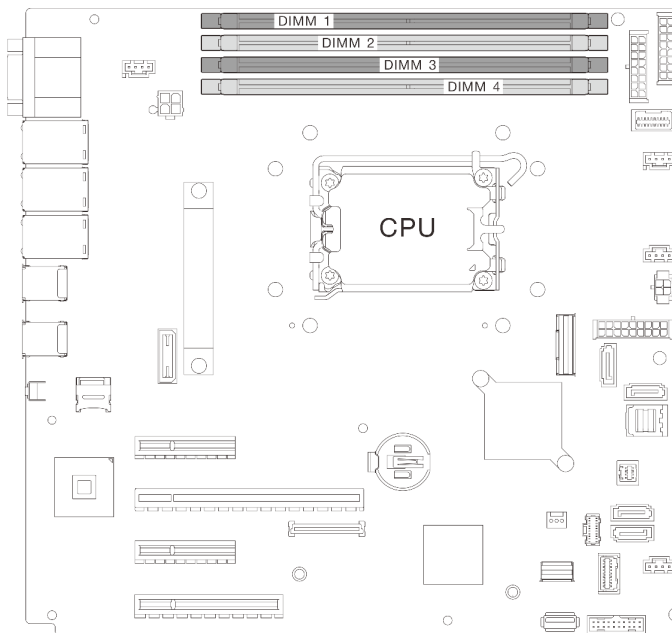


Figure 1. Memory modules and processors layout

For a list of supported memory module options, see: <https://serverproven.lenovo.com>.

## Memory mode and installation order

- At least one DIMM is required for each processor. Install at least one DIMM per processor for good performance.
- Mix DIMMS speed and mix DIMM capacity across memory channels or in the same memory channel are supported.
- In each memory channel, populate the slot farthest from the processor (slot 0) first.
- A label on each DIMM identifies the DIMM type. This information is in the format **xxxxx nRxxx PC4-xxxx-xx-xx-xxx**. Where **n** indicates if the DIMM is single-rank (n=1) or dual-rank (n=2).

The memory-channel configuration table below shows the relationship between the processors, memory controllers, memory channels, and memory module slot numbers.

Table 1. Memory module installation sequence

Total memory module installed	Memory module slot number				Memory speed
	1	2	3	4	
One			√		•
Two	√		√		1R: 4400MHz •
Three	√		√	√	2R: 4400MHz •
Four	√	√	√	√	1R: 4000MHz • 2R: 3600MHz

## Power on and power off the server

Follow the instructions in this section to power on and power off the server.

### Power on the server

After the server performs a short self-test (power status LED flashes quickly) when connected to input power, it enters a standby state (power status LED flashes once per second).

Power button location and power LED locations are specified in:

- “Server components” in *User Guide* or *System Configuration Guide*
- [“Troubleshooting by system LEDs and diagnostics display” on page 180](#)

The server can be turned on (power LED on) in any of the following ways:

- You can press the power button.
- The server can restart automatically after a power interruption.
- The server can respond to remote power-on requests sent to the Lenovo XClarity Controller.

**Important:** Lenovo XClarity Controller (XCC) supported version varies by product. All versions of Lenovo XClarity Controller are referred to as Lenovo XClarity Controller and XCC in this document, unless specified otherwise. To see the XCC version supported by your server, go to <https://pubs.lenovo.com/lxcc-overview/>.

For information about powering off the server, see [“Power off the server” on page 7](#).

### Power off the server

The server remains in a standby state when it is connected to a power source, allowing the Lenovo XClarity Controller to respond to remote power-on requests. To remove all power from the server (power status LED off), you must disconnect all power cables.

To place the server in a standby state (power status LED flashes once per second):

**Note:** The Lenovo XClarity Controller can place the server in a standby state as an automatic response to a critical system failure.

- Start an orderly shutdown using the operating system (if supported by your operating system).
- Press the power button to start an orderly shutdown (if supported by your operating system).

- Press and hold the power button for more than 4 seconds to force a shutdown.

When in a standby state, the server can respond to remote power-on requests sent to the Lenovo XClarity Controller. For information about powering on the server, see [“Power on the server” on page 7](#).

---

## 3.5-inch/2.5-inch drive cage replacement

Follow instructions in this section to remove and install the 3.5-inch/2.5-inch drive cage.

### Remove the 3.5-inch/2.5-inch drive cage

Follow instructions in this section to remove the 3.5-inch/2.5-inch drive cage.

#### About this task

To avoid potential danger, read and follow the following safety statements.

- **S002**



#### CAUTION:

The power-control button on the device and the power switch on the power supply do not turn off the electrical current supplied to the device. The device also might have more than one power cord. To remove all electrical current from the device, ensure that all power cords are disconnected from the power source.

#### Attention:

- Read [“Installation Guidelines” on page 1](#) and [“Safety inspection checklist” on page 2](#) to ensure that you work safely.
- Power off the server and peripheral devices and disconnect the power cords and all external cables. See [“Power off the server” on page 7](#).
- If the server is in a rack, remove it from the rack.
- Remove any locking device that secures the server cover, such as a Kensington lock or a padlock.

#### Procedure

Step 1. Make preparations for this task.

- a. Remove the server cover. See [“Remove the server cover” on page 113](#).
- b. Remove the front door. See [“Remove the front door” on page 43](#).
- c. Remove the front bezel. See [“Remove the front bezel” on page 41](#).
- d. Remove all of the installed drives or drive bay fillers from the drive cage and set them aside on a static-protective surface. See [“Remove a 2.5-/3.5-inch hot-swap drive” on page 22](#) or [“Remove a simple-swap drive” on page 25](#).
- e. Remove the system fan. See [“Remove the front system fan” on page 33](#).

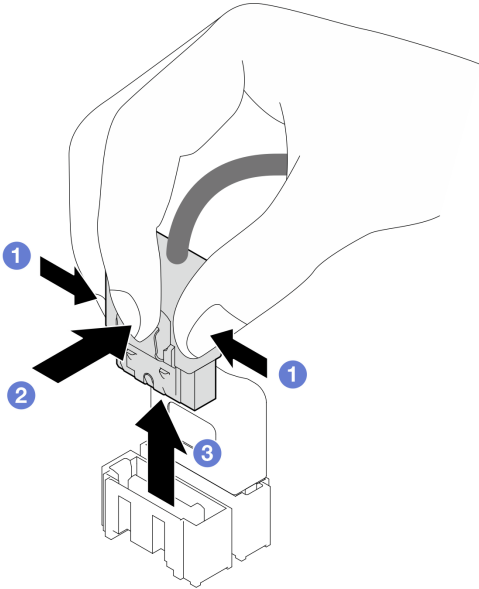
Step 2. Disconnect the cables from the backplane or backplate.

**Attention:** Follow the instructions below to disconnect the cable from the SATA hard disk drive connector (especially SATA hard disk drive **4** and **5** connectors):



1. ① Press on the sides of the connector on the cable with your thumb and middle finger.
2. ② Release the latch with your index finger as illustrated.
3. ③ Carefully pull the cable out of the connector on the system board.

Figure 2. Disconnecting the cable from the SATA hard disk drive connector

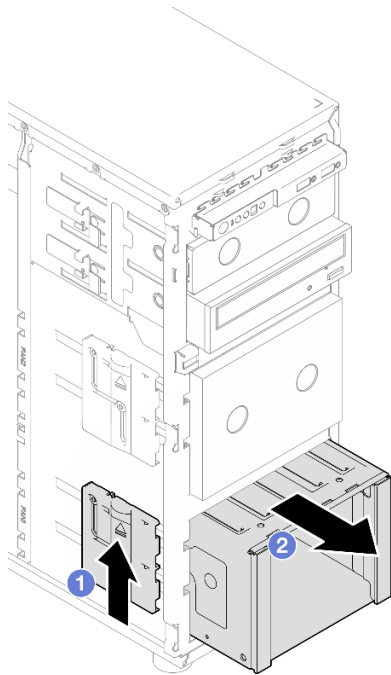


Step 3. Remove the drive cage from the chassis.

**Note:** Depending on the model, your drive cage might look slightly different from the illustration.

- a. ① Press and hold the drive cage release latch.
- b. ② Carefully slide the drive cage out of the chassis.

Figure 3. Removing the drive cage



Step 4. Remove the backplane or backplate. See [“Remove the 3.5-inch/2.5-inch hot-swap drive backplane” on page 12](#) or [“Remove the 3.5-inch simple-swap drive backplate” on page 15](#).

## After you finish

If you are instructed to return the component or optional device, follow all packaging instructions, and use any packaging materials for shipping that are supplied to you.

## Demo video

[Watch the procedure on Youtube](#)

## Install the 3.5-inch/2.5-inch drive cage

Follow instructions in this section to install the 3.5-inch/2.5-inch drive cage.

## About this task

To avoid potential danger, read and follow the following safety statements.

- **S002**



### CAUTION:

The power-control button on the device and the power switch on the power supply do not turn off the electrical current supplied to the device. The device also might have more than one power cord.

To remove all electrical current from the device, ensure that all power cords are disconnected from the power source.

**Attention:**

- Read “[Installation Guidelines](#)” on page 1 and “[Safety inspection checklist](#)” on page 2 to ensure that you work safely.
- Touch the static-protective package that contains the component to any unpainted metal surface on the server; then, remove it from the package and place it on a static-protective surface.

**Procedure**

- Step 1. Install the backplane or backplate. See “[Install the 3.5-inch/2.5-inch hot-swap drive backplane](#)” on page 14 or “[Install the 3.5-inch simple-swap drive backplate](#)” on page 17 .
- Step 2. Slide the drive cage in until the release latch clicks into place.

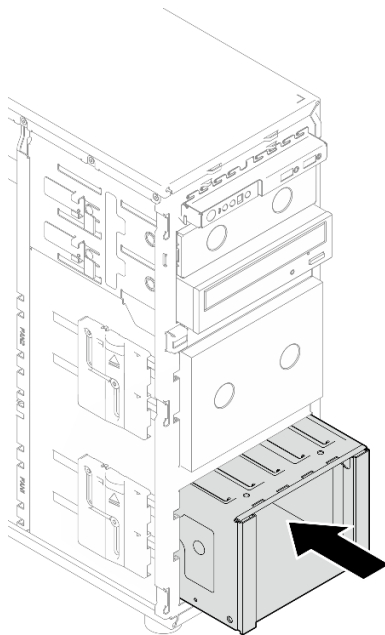


Figure 4. Installing the drive cage

**After you finish**

1. Install the system fan. See “[Install the front system fan](#)” on page 35.
2. Reinstall all the drives and drive bay fillers (if any) into the drive cage. See “[Install a 2.5-/3.5-inch hot-swap drive](#)” on page 24 or “[Install a 2.5-inch drive into a 3.5-inch drive bay](#)” on page 31.
3. Reconnect the cables to the backplane or backplate.
4. Complete the parts replacement. See “[Complete the parts replacement](#)” on page 135.

**Demo video**

[Watch the procedure on Youtube](#)

---

## 3.5-inch/2.5-inch hot-swap drive backplane replacement

Follow instructions in this section to remove and install a 3.5-inch/2.5-inch hot-swap drive backplane.

This topic applies only to server models that have hot-swap drives installed.

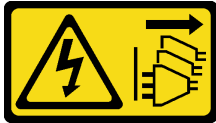
## Remove the 3.5-inch/2.5-inch hot-swap drive backplane

Follow instructions in this section to remove the 3.5-inch/2.5-inch hot-swap drive backplane.

### About this task

To avoid potential danger, read and follow the following safety statements.

- **S002**



#### CAUTION:

The power-control button on the device and the power switch on the power supply do not turn off the electrical current supplied to the device. The device also might have more than one power cord. To remove all electrical current from the device, ensure that all power cords are disconnected from the power source.

#### Attention:

- Read [“Installation Guidelines” on page 1](#) and [“Safety inspection checklist” on page 2](#) to ensure that you work safely.
- Power off the server and peripheral devices and disconnect the power cords and all external cables. See [“Power off the server” on page 7](#).
- If the server is in a rack, remove it from the rack.
- Remove any locking device that secures the server cover, such as a Kensington lock or a pad lock.

### Procedure

Step 1. Make preparations for this task.

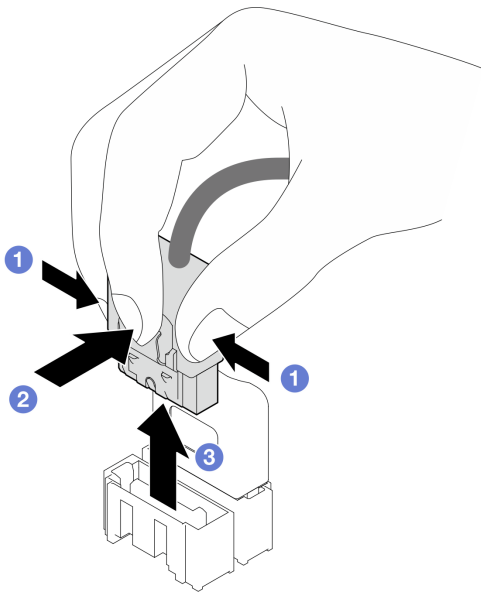
- a. Remove the server cover. See [“Remove the server cover” on page 113](#).
- b. Remove the front door. See [“Remove the front door” on page 43](#).
- c. Remove the front bezel. See [“Remove the front bezel” on page 41](#).
- d. Remove all of the installed drives or drive bay fillers from the drive cage and set them aside on a static-protective surface. See [“Remove a 2.5-/3.5-inch hot-swap drive” on page 22](#) or [“Remove a simple-swap drive” on page 25](#).
- e. Remove the system fan. See [“Remove the front system fan” on page 33](#).

Step 2. Disconnect the cables from the backplane.

**Attention:** Follow the instructions below to disconnect the cable from the SATA hard disk drive connector (especially SATA hard disk drive **4** and **5** connectors):

1. **1** Press on the sides of the connector on the cable with your thumb and middle finger.
2. **2** Release the latch with your index finger as illustrated.
3. **3** Carefully pull the cable out of the connector on the system board.

Figure 5. Disconnecting the cable from the SATA hard disk drive connector



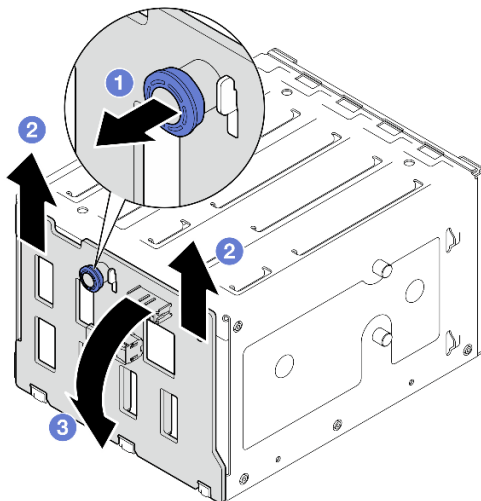
Step 3. Remove the drive cage from the chassis. See [“Remove the 3.5-inch/2.5-inch drive cage”](#) on page 8.

**Note:** Depending on the model, your drive cage might look slightly different from the illustration.

Step 4. Remove the hot-swap drive backplane.

- a. ① Pull out the blue plunger that secures the backplane.
- b. ② Slightly lift the backplane to disengage it from the drive cage.
- c. ③ Remove the backplane from the drive cage.

Figure 6. Removing the hot-swap drive backplane



## After you finish

If you are instructed to return the component or optional device, follow all packaging instructions, and use any packaging materials for shipping that are supplied to you.

## Demo video

[Watch the procedure on Youtube](#)

## Install the 3.5-inch/2.5-inch hot-swap drive backplane

Follow instructions in this section to install the 3.5-inch/2.5-inch hot-swap drive backplane.

### About this task

To avoid potential danger, read and follow the following safety statements.

- **S002**



#### CAUTION:

The power-control button on the device and the power switch on the power supply do not turn off the electrical current supplied to the device. The device also might have more than one power cord. To remove all electrical current from the device, ensure that all power cords are disconnected from the power source.

#### Attention:

- Read “[Installation Guidelines](#)” on page 1 and “[Safety inspection checklist](#)” on page 2 to ensure that you work safely.
- Touch the static-protective package that contains the component to any unpainted metal surface on the server; then, remove it from the package and place it on a static-protective surface.

### Procedure

- Step 1. Align the slots on the backplane with the tabs on the drive cage, and insert the tabs into the slots.
- Step 2. While pulling the plunger, slide down the backplane until it clicks into place; then, close the plunger to secure the backplane.

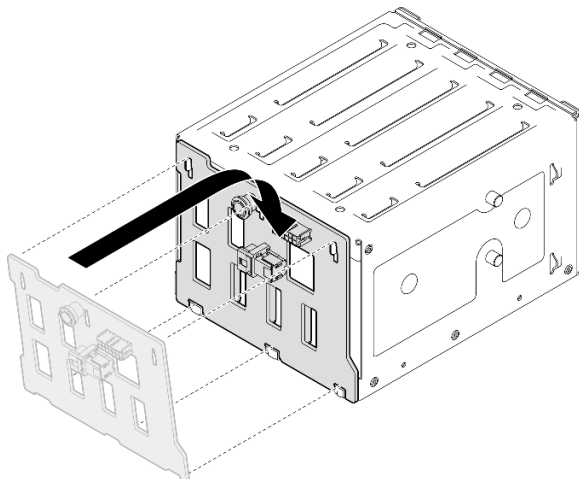


Figure 7. Installing the hot-swap drive backplane

## After you finish

1. Reinstall the drive cage into the chassis. See [“Install the 3.5-inch/2.5-inch drive cage”](#) on page 10.
2. Reinstall all the hot-swap drives and drive bay fillers (if any) into the drive cage. See [“Install a 2.5-/3.5-inch hot-swap drive”](#) on page 24 or [“Install a 2.5-inch drive into a 3.5-inch drive bay”](#) on page 31.
3. Reconnect the cables to the backplane.
4. Install the system fan. See [“Install the front system fan”](#) on page 35.
5. Complete the parts replacement. See [“Complete the parts replacement”](#) on page 135.

## Demo video

[Watch the procedure on Youtube](#)

---

## 3.5-inch simple-swap drive backplate replacement

Follow instructions in this section to remove and install a 3.5-inch simple-swap drive backplate.

**Note:** This section applies only to server models that have 3.5-inch simple-swap drive backplates installed.

## Remove the 3.5-inch simple-swap drive backplate

Follow instructions in this section to remove the 3.5-inch simple-swap drive backplate.

## About this task

To avoid potential danger, read and follow the following safety statements.

- **S002**



### CAUTION:

**The power-control button on the device and the power switch on the power supply do not turn off the electrical current supplied to the device. The device also might have more than one power cord. To remove all electrical current from the device, ensure that all power cords are disconnected from the power source.**

### Attention:

- Read [“Installation Guidelines”](#) on page 1 and [“Safety inspection checklist”](#) on page 2 to ensure that you work safely.
- Power off the server and peripheral devices and disconnect the power cords and all external cables. See [“Power off the server”](#) on page 7.
- If the server is in a rack, remove it from the rack.
- Remove any locking device that secures the server cover, such as a Kensington lock or a padlock.

## Procedure

Step 1. Make preparations for this task.

- a. Remove the server cover. See [“Remove the server cover”](#) on page 113.
- b. Remove the front door. See [“Remove the front door”](#) on page 43.

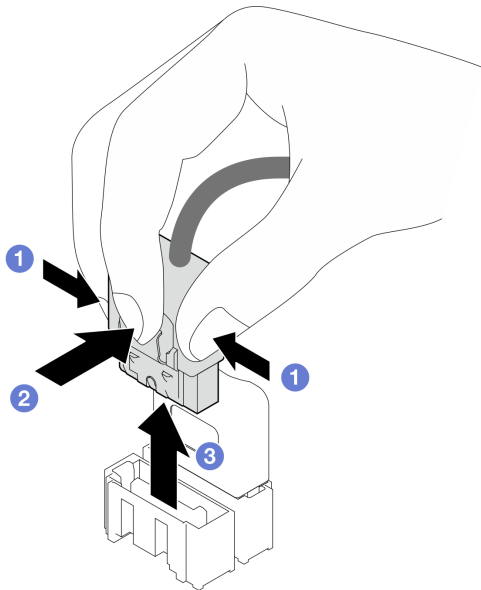
- c. Remove the front bezel. See [“Remove the front bezel”](#) on page 41.
- d. Remove all of the installed simple-swap drives and drive bay fillers from the drive cage and set them aside on a static-protective surface. See [“Remove a simple-swap drive”](#) on page 25 or [“Remove a 2.5-inch drive from a 3.5-inch drive bay”](#) on page 30.
- e. Remove the system fan. See [“Remove the front system fan”](#) on page 33.

Step 2. Disconnect the cables from the system board. See [“Simple-swap drives cable routing”](#) on page 151.

**Attention:** Follow the instructions below to disconnect the cable from the SATA hard disk drive connector (especially SATA hard disk drive 4 and 5 connectors):

1. ① Press on the sides of the connector on the cable with your thumb and middle finger.
2. ② Release the latch with your index finger as illustrated.
3. ③ Carefully pull the cable out of the connector on the system board.

*Figure 8. Disconnecting the cable from the SATA hard disk drive connector*



Step 3. Remove the drive cage from the chassis. See [“Remove the 3.5-inch/2.5-inch drive cage”](#) on page 8.

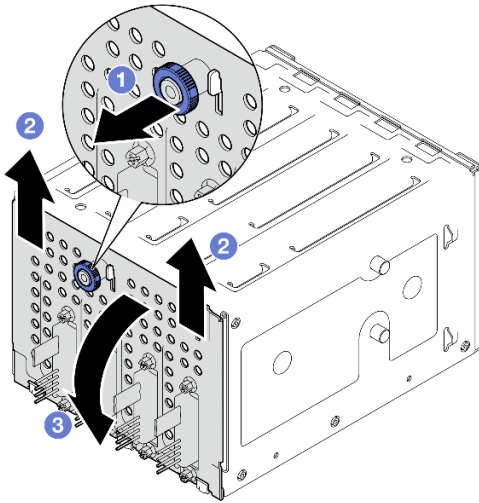
**Note:** Depending on the model, your drive cage might look slightly different from the illustration.

Step 4. Remove the simple-swap drive backplate.

- a. ① Pull out the blue plunger that secures the backplate.
- b. ② Slightly lift the backplate to disengage it from the drive cage.
- c. ③ Remove the backplate from the drive cage.



Figure 9. Removing the simple-swap drive backplate



## After you finish

If you are instructed to return the component or optional device, follow all packaging instructions, and use any packaging materials for shipping that are supplied to you.

### Demo video

[Watch the procedure on Youtube](#)

## Install the 3.5-inch simple-swap drive backplate

Follow instructions in this section to install the 3.5-inch simple-swap drive backplate.

### About this task

To avoid potential danger, read and follow the following safety statements.

- **S002**



#### CAUTION:

**The power-control button on the device and the power switch on the power supply do not turn off the electrical current supplied to the device. The device also might have more than one power cord. To remove all electrical current from the device, ensure that all power cords are disconnected from the power source.**

#### Attention:

- Read [“Installation Guidelines”](#) on page 1 and [“Safety inspection checklist”](#) on page 2 to ensure that you work safely.
- Touch the static-protective package that contains the component to any unpainted metal surface on the server; then, remove it from the package and place it on a static-protective surface.

## Procedure

- Step 1. Position the backplate on the drive cage so that the tabs on the drive cage are inserted into the corresponding slots on the backplate.
- Step 2. Close the plunger to secure the backplate in place.

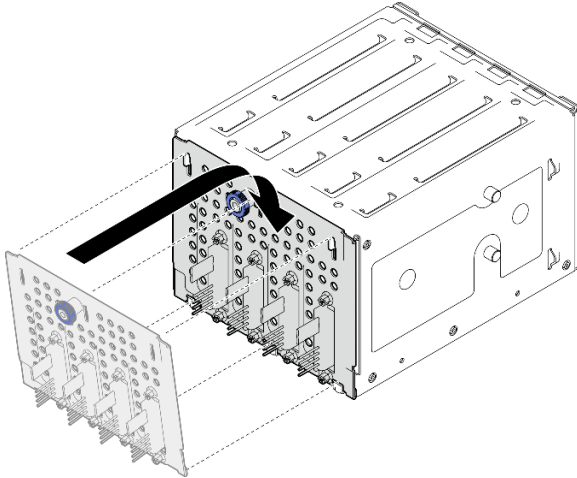


Figure 10. Installing the simple-swap drive backplate

## After you finish

1. Reinstall the drive cage into the chassis. See [“Install the 3.5-inch/2.5-inch drive cage” on page 10](#).
2. Reinstall all the simple-swap drives and drive bay fillers (if any) into the drive cage. See [“Install a simple-swap drive” on page 27](#) or [“Install a 2.5-inch drive into a 3.5-inch drive bay” on page 31](#).
3. Connect the backplate cables to the system board. See [“Simple-swap drives cable routing” on page 151](#).
4. Install the system fan. See [“Install the front system fan” on page 35](#).
5. Complete the parts replacement. See [“Complete the parts replacement” on page 135](#).

## Demo video

[Watch the procedure on Youtube](#)

---

## CMOS battery (CR2032) replacement

Follow instructions in this section to remove and install the CMOS battery (CR2032).

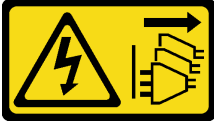
### Remove the CMOS battery (CR2032)

Follow instructions in this section to remove the CMOS battery (CR2032).

### About this task

To avoid potential danger, read and follow the following safety statements.

- **S002**



**CAUTION:**

The power-control button on the device and the power switch on the power supply do not turn off the electrical current supplied to the device. The device also might have more than one power cord. To remove all electrical current from the device, ensure that all power cords are disconnected from the power source.

- S004



**CAUTION:**

When replacing the lithium battery, use only Lenovo specified part number or an equivalent type of battery recommended by the manufacturer. If your system has a module containing a lithium battery, replace it only with the same module type made by the same manufacturer. The battery contains lithium and can explode if not properly used, handled, or disposed of.

*Do not:*

- Throw or immerse into water
- Heat to more than 100°C (212°F)
- Repair or disassemble

Dispose of the battery as required by local ordinances or regulations.

- S005



**CAUTION:**

The battery is a lithium ion battery. To avoid possible explosion, do not burn the battery. Exchange it only with the approved part. Recycle or discard the battery as instructed by local regulations.

**Attention:**

- Read “[Installation Guidelines](#)” on page 1 and “[Safety inspection checklist](#)” on page 2 to ensure that you work safety.
- Power off the server and peripheral devices and disconnect the power cords and all external cables. See “[Power off the server](#)” on page 7.
- If the server is in a rack, remove it from the rack.
- Remove any locking device that secures the server cover, such as a Kensington lock or a padlock.
- Do not make CMOS battery in contact with any metal surface during the replacement. Any contact with a metal surface can cause damages to the battery.
- When replacing the battery, you must replace it with another CMOS battery of the exact same type (CR2032) made by the same manufacturer.

- After you replace the battery, you must reconfigure the solution and reset the system date and time.

## Procedure

- Step 1. Remove the server cover. See [“Remove the server cover” on page 113](#).
- Step 2. Locate the CMOS battery on the system board. See “System-board connectors” in *User Guide* or *System Configuration Guide* for more information.
- Step 3. Remove the CMOS battery.
  - a. ① Gently push on one side of the battery until it leaves the socket.
  - b. ② Lift the battery out of the socket with your thumb and index finger.

**Attention:** Do not lift the battery with excessive force, as it may cause damages to the socket on the system board. Any damage to the socket may require replacing the system board.

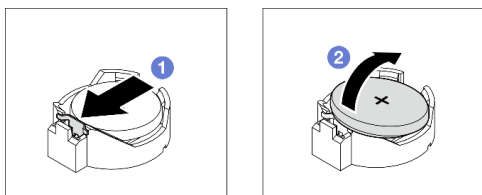


Figure 11. Removing the CMOS battery

## After you finish

1. Install a new CMOS battery. See [“Install the CMOS battery \(CR2032\)” on page 20](#).
2. Dispose the component with compliance to local regulations.

## Demo video

[Watch the procedure on Youtube](#)

## Install the CMOS battery (CR2032)

Follow instructions in this section to install the CMOS battery (CR2032).

## About this task

To avoid potential danger, read and follow the following safety statements.

- **S002**



### CAUTION:

The power-control button on the device and the power switch on the power supply do not turn off the electrical current supplied to the device. The device also might have more than one power cord. To remove all electrical current from the device, ensure that all power cords are disconnected from the power source.

- **S004**



**CAUTION:**

When replacing the lithium battery, use only Lenovo specified part number or an equivalent type of battery recommended by the manufacturer. If your system has a module containing a lithium battery, replace it only with the same module type made by the same manufacturer. The battery contains lithium and can explode if not properly used, handled, or disposed of.

*Do not:*

- Throw or immerse into water
- Heat to more than 100°C (212°F)
- Repair or disassemble

Dispose of the battery as required by local ordinances or regulations.

- S005



**CAUTION:**

The battery is a lithium ion battery. To avoid possible explosion, do not burn the battery. Exchange it only with the approved part. Recycle or discard the battery as instructed by local regulations.

**Attention:**

- Read “[Installation Guidelines](#)” on page 1 and “[Safety inspection checklist](#)” on page 2 to ensure that you work safely.
- Do not make CMOS battery in contact with any metal surface during the replacement. Any contact with a metal surface can cause damages to the battery.
- When replacing the battery, you must replace it with another CMOS battery of the exact same type (CR2032) made by the same manufacturer.
- After you replace the battery, you must reconfigure the solution and reset the system date and time.

**Procedure**

- Step 1. Follow any special handling and installation instructions that come with the CMOS battery.
- Step 2. Locate the battery socket on the system board. See “System-board connectors” in *User Guide* or *System Configuration Guide* for more information.
- Step 3. Install the new CMOS battery into the server.
  - a. ① Orient the battery so that the positive (+) side faces up; then, tilt the battery to insert it into the socket.
  - b. ② Gently press the battery into the socket until it clicks in place.

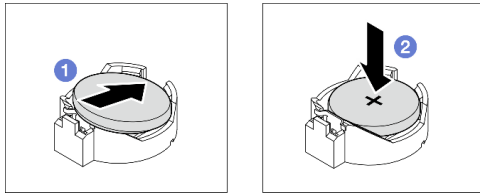


Figure 12. Installing the CMOS battery

## After you finish

1. Complete the parts replacement. See [“Complete the parts replacement” on page 135](#).
2. Use the Setup utility to set the date, time, and any passwords

## Demo video

[Watch the procedure on Youtube](#)

---

## Drive replacement

Follow instructions in this section to remove and install a 2.5-inch or 3.5-inch drive.

### Remove a 2.5-/3.5-inch hot-swap drive

Follow instructions in this section to remove a 2.5-inch or 3.5-inch hot-swap drive.


### About this task

#### Attention:

- Read [“Installation Guidelines” on page 1](#) and [“Safety inspection checklist” on page 2](#) to ensure that you work safely.
- If the server is installed in a rack, extend the server from the rack.
- Use the front door key to unlock the front door, and then open the front door.
- To make sure that there is adequate system cooling, do not operate the server for more than two minutes without either a drive or a filler installed in each bay.
- Before you remove or make changes to drives, drive controllers (including controllers that are integrated on the system board), drive backplanes or drive cables, back up all important data that is stored on drives.
- Before you remove any component of a RAID array (drive, RAID card, etc.), back up all RAID configuration information.

**Note:** Make sure you have the drive bay fillers available if some drive bays will be left empty after the removal.

### Procedure

Step 1. Locate the drive to be removed, and press the release button  to unlock the drive tray handle.

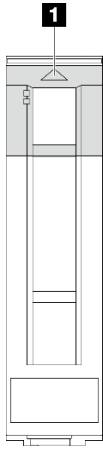
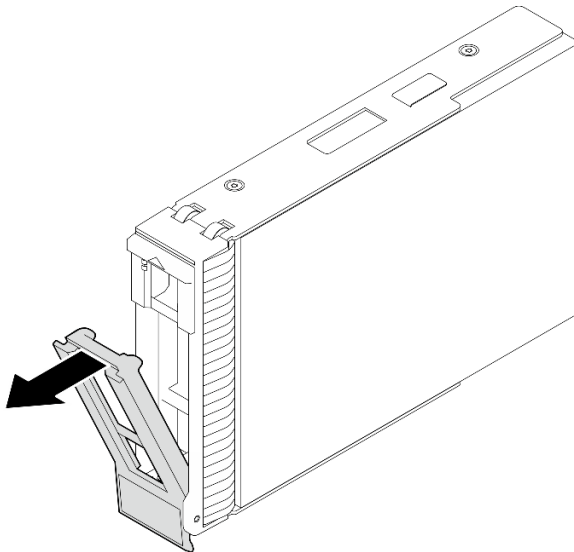


Figure 13. Unlocking the drive tray handle

Step 2. Grasp the tray handle and carefully slide the drive out of the drive bay.

Figure 14. Removing the hot-swap drive from the drive tray



## After you finish

1. Install a new drive or drive filler into the vacant drive bay. See [“Install a 2.5-/3.5-inch hot-swap drive” on page 24.](#)

**Note:** To ensure that there is adequate system cooling, do not operate the server for more than two minutes without either a drive or a drive filler installed in each bay.

2. If you are instructed to return the component or optional device, follow all packaging instructions, and use any packaging materials for shipping that are supplied to you.

## Demo video

[Watch the procedure on Youtube](#)

## Install a 2.5-/3.5-inch hot-swap drive

Follow instructions in this section to install a 2.5-inch or 3.5-inch hot-swap drive.

### About this task

#### Attention:

- Read “[Installation Guidelines](#)” on page 1 and “[Safety inspection checklist](#)” on page 2 to ensure that you work safely.
- Touch the static-protective package that contains the drive to any unpainted metal surface on the solution; then, remove the drive from the package and place it on a static-protective surface.
- To avoid damage to the drive connectors, make sure that the server top cover is in place and fully closed whenever you install or remove a drive.
- To make sure that there is adequate system cooling, do not operate the server for more than two minutes without either a drive or a drive bay filler installed in each bay.
- Before you remove or make changes to drives, drive controllers (including controllers that are integrated on the system board), drive backplanes or drive cables, back up all important data that is stored on drives.
- Before you remove any component of a RAID array (drive, RAID card, etc.), back up all RAID configuration information.

The following notes describe the type of drives that the server supports and other information that you must consider when you install a drive. For a list of supported drives, see <https://serverproven.lenovo.com>.

- Locate the documentation that comes with the drive and follow those instructions in addition to the instructions in this chapter.
- Depending on your server models, your server supports the following drive types:
  - Up to sixteen 2.5-inch hot-swap SATA/SAS drives
  - Up to eight 3.5-inch hot-swap SATA/SAS drives
  - Up to four 3.5-inch hot-swap SATA/SAS drives and eight 2.5-inch hot-swap SATA/SAS drives
- For a complete list of supported optional devices for the server, see <https://serverproven.lenovo.com>.
- The drive bays are numbered to indicate the installation order (starting from number “0”). Follow the installation order when you install a drive. See “Front View” in *User Guide* or *System Configuration Guide* for more information.
- The drives in a single RAID array must be the same type, same size, and same capacity.

### Procedure

- Step 1. If a drive filler is installed in this drive bay, remove it first. Keep the drive filler in a safe place for future use.
- Step 2. Make sure that the drive tray handle is in the open position. Slide the drive into the drive bay until it clicks in place.
- Step 3. Rotate the drive handle to the fully closed position.



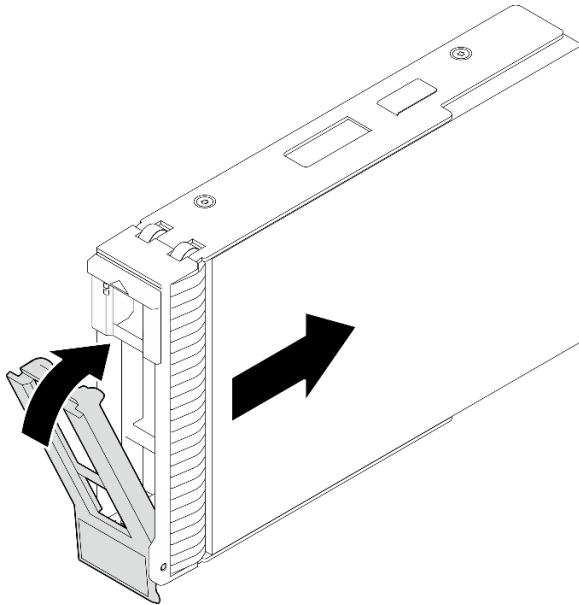


Figure 15. Installing the hot-swap drive

## After you finish

1. If you have additional drives to install, do so now; if any of the drive bays is left empty, fill it with a drive bay filler.
2. Complete the parts replacement. See [“Complete the parts replacement” on page 135](#).
3. Check the drive activity LED to verify that the drive is operating correctly. See “Front I/O module” in *User Guide* or *System Configuration Guide* for details.
4. If the server is configured for RAID operation through a ThinkSystem RAID adapter, you might have to reconfigure your disk arrays after you install drives. See the ThinkSystem RAID adapter documentation for additional information about RAID operation and complete instructions for using ThinkSystem RAID adapter.

## Demo video

[Watch the procedure on Youtube](#)

## Remove a simple-swap drive

Follow instructions in this section to remove a simple-swap drive.

## About this task

To avoid potential danger, read and follow the following safety statements.

- **S002**



**CAUTION:**

The power-control button on the device and the power switch on the power supply do not turn off the electrical current supplied to the device. The device also might have more than one power cord. To remove all electrical current from the device, ensure that all power cords are disconnected from the power source.

**Attention:**

- Read [“Installation Guidelines” on page 1](#) and [“Safety inspection checklist” on page 2](#) to ensure that you work safely.
- Power off the server and peripheral devices and disconnect the power cords and all external cables. See [“Power off the server” on page 7](#).
- If the server is installed in a rack, extend the server from the rack.
- Use the front door key to unlock the front door, and then open the front door.
- To make sure that there is adequate system cooling, do not operate the server for more than two minutes without either a drive or a filler installed in each bay.
- Before you remove or make changes to drives, drive controllers (including controllers that are integrated on the system board), drive backplanes or drive cables, back up all important data that is stored on drives.
- If an NVMe drive is to be removed, it is recommended to disable it beforehand via the operating system.
- Before you remove any component of a RAID array (drive, RAID card, etc.), back up all RAID configuration information.

**Note:** Make sure you have the drive bay fillers available if some drive bays will be left empty after the removal.

**Procedure**


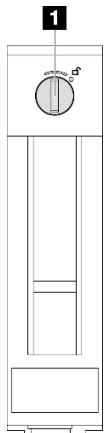
- Step 1. Locate the simple-swap drive to be removed.
- Step 2. Use a screwdriver to turn the tray handle lock  to the unlocked position. The tray handle opens automatically.

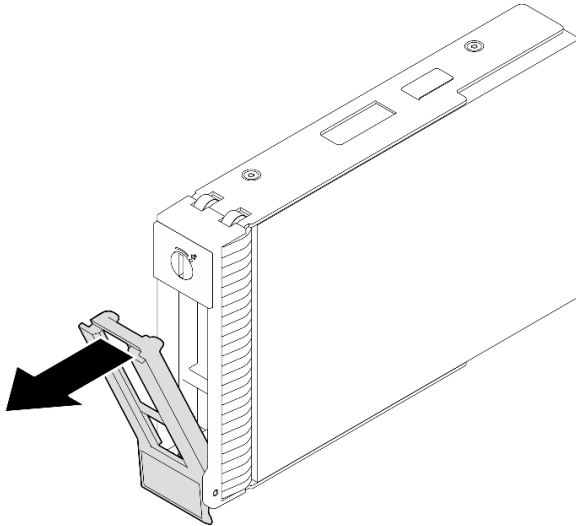
Figure 16. Unlocking the drive tray handle



- Step 3. Pull the handle and carefully slide the simple-swap drive out of the chassis.

**Note:** Install a drive bay filler or replacement drive as soon as possible. See [“Install a simple-swap drive” on page 27](#).

Figure 17. Removing the simple-swap drive



### After you finish

1. Install a new drive or drive filler into the vacant drive bay. See [“Install a simple-swap drive” on page 27](#).

**Note:** To ensure that there is adequate system cooling, do not operate the server for more than two minutes without either a drive or a drive filler installed in each bay.

2. If you are instructed to return the component or optional device, follow all packaging instructions, and use any packaging materials for shipping that are supplied to you.

### Demo video

[Watch the procedure on Youtube](#)

## Install a simple-swap drive

Follow instructions in this section to install a simple-swap drive.

### About this task

To avoid potential danger, read and follow the following safety statements.

- **S002**



#### CAUTION:

The power-control button on the device and the power switch on the power supply do not turn off the electrical current supplied to the device. The device also might have more than one power cord. To remove all electrical current from the device, ensure that all power cords are disconnected from the power source.

#### Attention:

- Read “[Installation Guidelines](#)” on page 1 and “[Safety inspection checklist](#)” on page 2 to ensure that you work safely.
- Touch the static-protective package that contains the component to any unpainted metal surface on the server; then, remove it from the package and place it on a static-protective surface.
- To avoid damage to the drive connectors, make sure that the server top cover is in place and fully closed whenever you install or remove a simple-swap drive.
- To make sure that there is adequate system cooling, do not operate the server for more than two minutes without either a drive or a filler installed in each bay.
- Before you remove or make changes to drives, drive controllers (including controllers that are integrated on the system board), drive backplanes or drive cables, back up all important data that is stored on drives.
- If an NVMe drive is to be removed, it is recommended to disable it beforehand via the operating system.
- Before you remove any component of a RAID array (drive, RAID card, etc.), back up all RAID configuration information.

The following notes describe the type of drives that your server supports and other information that you must consider when you install a drive.

- Locate the documentation that comes with the drive and follow those instructions in addition to the instructions in this chapter.
- Depending on your server models, your server supports the following drive types:
  - Up to four 3.5-inch simple-swap SATA drives
  - Up to two 3.5-inch simple-swap SATA drives and two NVMe drives
- For a complete list of supported drives and optional devices for the server, see: <https://serverproven.lenovo.com>
- The drive bays are numbered to indicate the installation order (starting from number “0”). Follow the installation order when you install a drive. See “Front view” in *User Guide* or *System Configuration Guide* for more information.
- The drives in a single RAID array must be the same type, same size, and same capacity.

## Procedure

- Step 1. If the drive bay has a drive filler installed, remove it. Keep the drive filler in a safe place for future use.
- Step 2. Ensure that the drive tray handle is in the open position. Align the drive with the guide rails in the bay; then, gently push the drive into the bay until the drive stops.
- Step 3. Rotate the drive handle to the fully closed position to lock the drive in place.

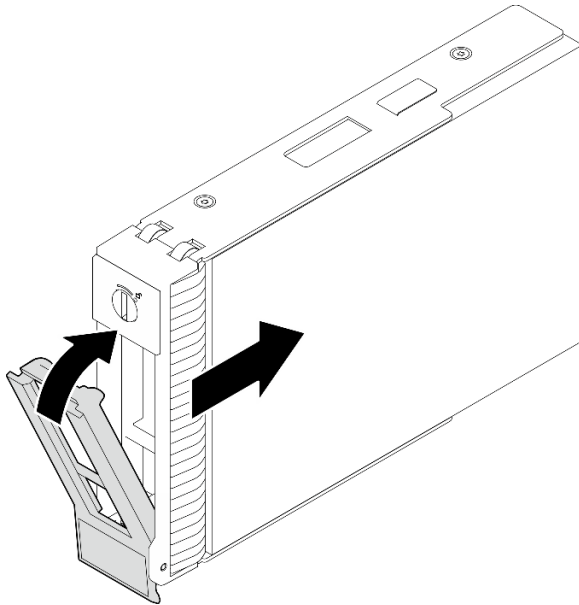


Figure 18. Installing the simple-swap drive

### After you finish

1. If you have additional drives to install, do so now; if any of the drive bays is left empty, fill it with a drive bay filler.
2. Complete the parts replacement. See [“Complete the parts replacement” on page 135](#).
3. Check the drive activity LED to verify that the drive is operating correctly. See “Front view” in *User Guide* or *System Configuration Guide* for details.
4. If the server is configured for RAID operation through a ThinkSystem RAID adapter, you might have to reconfigure your disk arrays after you install drives. See the ThinkSystem RAID adapter documentation for additional information about RAID operation and complete instructions for using ThinkSystem RAID adapter.

### Demo video

[Watch the procedure on Youtube](#)

## 2.5-inch drive replacement from 3.5-inch drive bay

Follow instructions in this section to remove and install a 2.5-inch drive from a 3.5-inch drive bay.

The EMI integrity and cooling of the server are protected by having all drive bays covered or occupied. The number of the installed simple-swap disk drives in your server varies depending on the server model. The vacant bays are occupied by dummy trays. When you install a drive, save the removed dummy tray from the drive bay in case you later remove the drive and need the dummy tray to cover the place.

**Attention:** An unoccupied drive bay without any other protection might impact the EMI integrity and cooling of the server, which might result in overheating or component damage. To maintain the EMI integrity and cooling of the server, install a new drive as soon as you remove the failing one or the dummy tray.

Before you begin, review the following drive installation rules:

- Follow the order of the disk drive bays when installing a drive. See “Server components” in *User Guide* or *System Configuration Guide* to locate the disk drive bays in your server.

- For drives with different capacities, install the drive by following the order of the disk drive bays as well as the order from the lowest capacity to the highest capacity.

## Remove a 2.5-inch drive from a 3.5-inch drive bay

Follow instructions in this section to remove a 2.5-inch drive from a 3.5-inch drive bay.

### About this task

To avoid potential danger, read and follow the following safety statements.

- **S002**



#### CAUTION:

The power-control button on the device and the power switch on the power supply do not turn off the electrical current supplied to the device. The device also might have more than one power cord. To remove all electrical current from the device, ensure that all power cords are disconnected from the power source.

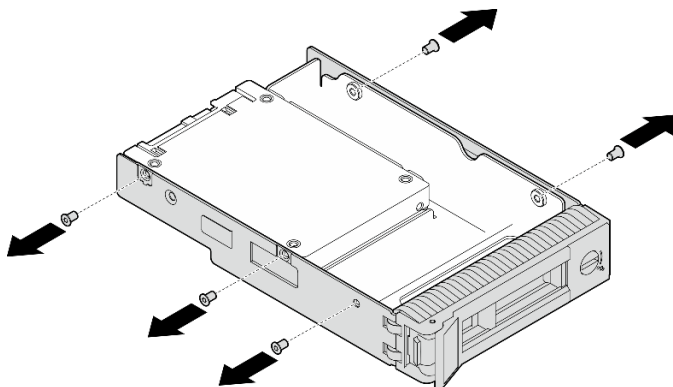
#### Attention:

- Read [“Installation Guidelines” on page 1](#) and [“Safety inspection checklist” on page 2](#) to ensure that you work safely.
- Power off the server and peripheral devices and disconnect the power cords and all external cables. See [“Power off the server” on page 7](#).
- Use the front door key to unlock the front door, and then open the front door.

### Procedure

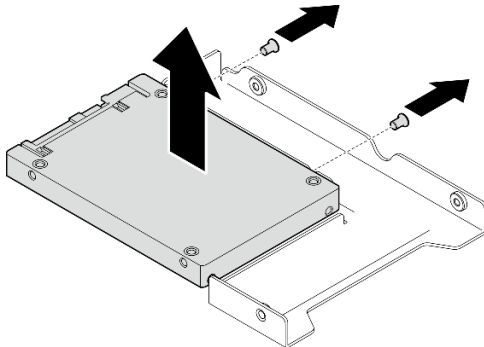
- Step 1. Locate the drive to be removed.
- Step 2. Remove the 3.5-inch drive tray in which the 2.5-inch drive has been installed. See [“Remove a simple-swap drive” on page 25](#).
- Step 3. Remove the five screws that secure the 2.5-inch drive and the drive adapter; then, remove the 2.5-inch drive and the drive adapter from the tray.

Figure 19. Removing the screws that secure the 2.5-inch drive and the drive adapter



Step 4. Remove the two screws that secure the 2.5-inch drive; then, lift the drive to remove it from the drive adapter.

Figure 20. Removing the 2.5-inch drive from the drive adapter



## After you finish

If you are instructed to return the component or optional device, follow all of the packaging instructions, and use any packaging materials for shipping that are supplied to you.

### Demo video

[Watch the procedure on Youtube](#)

## Install a 2.5-inch drive into a 3.5-inch drive bay

Follow instructions in this section to install a 2.5-inch drive into a 3.5-inch drive bay.

## About this task

To avoid potential danger, read and follow the following safety statements.

- **S002**



### CAUTION:

**The power-control button on the device and the power switch on the power supply do not turn off the electrical current supplied to the device. The device also might have more than one power cord. To remove all electrical current from the device, ensure that all power cords are disconnected from the power source.**

### Attention:

- Read “[Installation Guidelines](#)” on page 1 and “[Safety inspection checklist](#)” on page 2 to ensure that you work safely.
- Touch the static-protective package that contains the component to any unpainted metal surface on the server; then, remove it from the package and place it on a static-protective surface.

## Procedure

Step 1. Position the 2.5-inch drive into the 2.5-inch to 3.5-inch drive adapter.

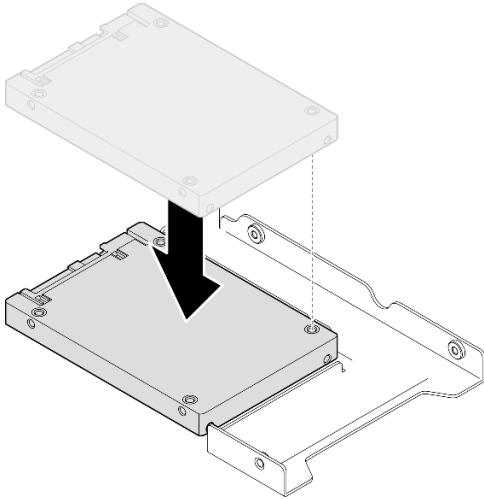


Figure 21. Positioning the 2.5-inch drive into the drive adapter

- Step 2. Align the two screw holes in the drive with the corresponding holes in the drive adapter; then, secure the drive to the drive adapter with the two screws.

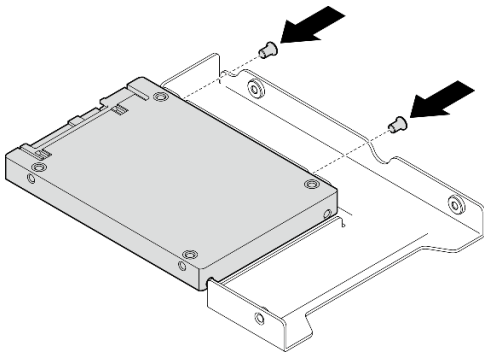


Figure 22. Installing the screws to secure the drive to the drive adapter

- Step 3. Align the screw holes on the drive adapter and the drive with the corresponding holes in the tray; then, secure the drive adapter and the drive into the tray with the five screws.

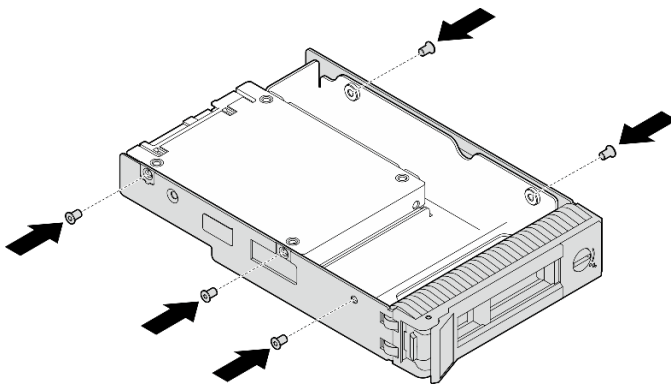


Figure 23. Installing the screws to secure the drive adapter and the drive to the drive tray

- Step 4. Slide the tray into the drive bay from the front until it snaps into place, and then completely close the handle.



## After you finish

1. If you have additional drives to install, do so now; if any of the drive bays is left empty, fill it with a drive bay filler.
2. Complete the parts replacement. See [“Complete the parts replacement” on page 135](#).

### Demo video

[Watch the procedure on Youtube](#)

---

## Fan replacement

Follow instructions in this section to remove and install the front or rear fan.

**Note:** For processor fan replacement, see [“Heat sink and fan module replacement” on page 49](#).

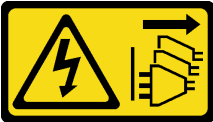
### Remove the front system fan

Follow instructions in this section to remove the front system fan.

#### About this task

To avoid potential danger, read and follow the following safety statements.

- [S002](#)



**CAUTION:**

The power-control button on the device and the power switch on the power supply do not turn off the electrical current supplied to the device. The device also might have more than one power cord. To remove all electrical current from the device, ensure that all power cords are disconnected from the power source.

- [S009](#)



**CAUTION:**

To avoid personal injury, disconnect the fan cables before removing the fan from the device.

- [S017](#)



**CAUTION:**

Hazardous moving fan blades nearby. Keep fingers and other body parts away.

- [S033](#)



**CAUTION:**

**Hazardous energy present. Voltages with hazardous energy might cause heating when shorted with metal, which might result in spattered metal, burns, or both.**

**Attention:**

- Read “[Installation Guidelines](#)” on page 1 and “[Safety inspection checklist](#)” on page 2 to ensure that you work safely.
- Power off the server and peripheral devices and disconnect the power cords and all external cables. See “[Power off the server](#)” on page 7.
- If the server is in a rack, remove it from the rack.
- Remove any locking device that secures the server cover, such as a Kensington lock or a padlock.

**Procedure**

- Step 1. Remove the server cover. See “[Remove the server cover](#)” on page 113.
- Step 2. Disconnect the fan cable from the system board. See “System-board connectors” in *User Guide* or *System Configuration Guide* for more information.
- Step 3. Remove the front system fan from the chassis.
  - a. 1 Press the two tabs on the front system fan towards each other.
  - b. 2 Carefully slide the fan out of the chassis.

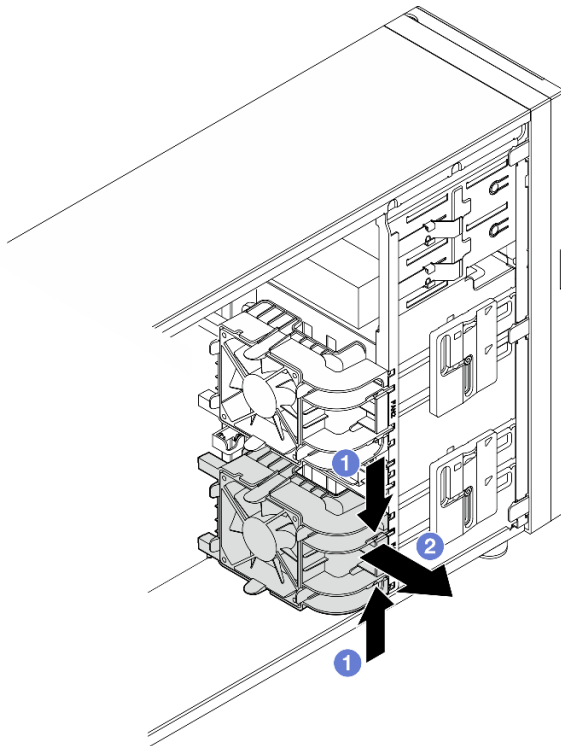


Figure 24. Removing the front system fan

## After you finish

If you are instructed to return the component or optional device, follow all packaging instructions, and use any packaging materials for shipping that are supplied to you.

### Demo video

[Watch the procedure on Youtube](#)

## Install the front system fan

Follow instructions in this section to install the front system fan.

### About this task

To avoid potential danger, read and follow the following safety statements.

- **S002**



**CAUTION:**

The power-control button on the device and the power switch on the power supply do not turn off the electrical current supplied to the device. The device also might have more than one power cord. To remove all electrical current from the device, ensure that all power cords are disconnected from the power source.

- **S009**



**CAUTION:**

To avoid personal injury, disconnect the fan cables before removing the fan from the device.

- **S017**



**CAUTION:**

Hazardous moving fan blades nearby. Keep fingers and other body parts away.

- **S033**



**CAUTION:**

**Hazardous energy present. Voltages with hazardous energy might cause heating when shorted with metal, which might result in spattered metal, burns, or both.**

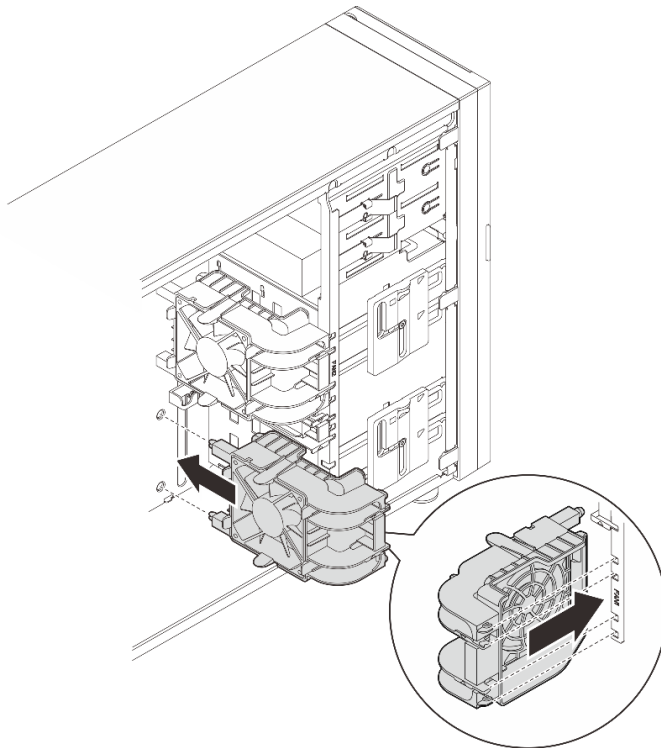
**Attention:**

- Read [“Installation Guidelines” on page 1](#) and [“Safety inspection checklist” on page 2](#) to ensure that you work safely.
- Touch the static-protective package that contains the component to any unpainted metal surface on the server; then, remove it from the package and place it on a static-protective surface.

**Procedure**

- Step 1. Align the four tabs of the front system fan with the corresponding slots in the mounting area, and align the two posts of the fan with the corresponding slots in the inner side of the chassis.
- Step 2. Carefully slide the front system fan into the chassis until it snaps into place.

**Note:** Make sure the cables do not interfere with the two posts of the front system fan.



*Figure 25. Installing the front system fan*

- Step 3. Connect the front system fan power cable to the Fan 1 or Fan 4 connector on the system board. See for more information

**After you finish**

Complete the parts replacement. See [“Complete the parts replacement” on page 135](#).

**Demo video**

[Watch the procedure on Youtube](#)

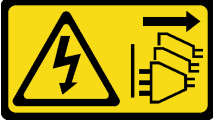
## Remove the rear system fan

Follow instructions in this section to remove the rear system fan.

### About this task

To avoid potential danger, read and follow the following safety statements.

- **S002**



**CAUTION:**

The power-control button on the device and the power switch on the power supply do not turn off the electrical current supplied to the device. The device also might have more than one power cord. To remove all electrical current from the device, ensure that all power cords are disconnected from the power source.

- **S009**



**CAUTION:**

To avoid personal injury, disconnect the fan cables before removing the fan from the device.

- **S017**



**CAUTION:**

Hazardous moving fan blades nearby. Keep fingers and other body parts away.

- **S033**



**CAUTION:**

Hazardous energy present. Voltages with hazardous energy might cause heating when shorted with metal, which might result in spattered metal, burns, or both.

**Attention:**

- Read [“Installation Guidelines” on page 1](#) and [“Safety inspection checklist” on page 2](#) to ensure that you work safely.
- Power off the server and peripheral devices and disconnect the power cords and all external cables. See [“Power off the server” on page 7](#).
- If the server is in a rack, remove it from the rack.

- Remove any locking device that secures the server cover, such as a Kensington lock or a padlock.

## Procedure

- Step 1. Remove the server cover. See “[Remove the server cover](#)” on page 113.
- Step 2. Disconnect the fan cable from the system board. See “System-board connectors” in *User Guide* or *System Configuration Guide* for more information.
- Step 3. Remove the rear system fan from the chassis.
  - a. 1 Press the two tabs of the rear system fan towards each other.
  - b. 2 Carefully slide the fan out of the chassis.

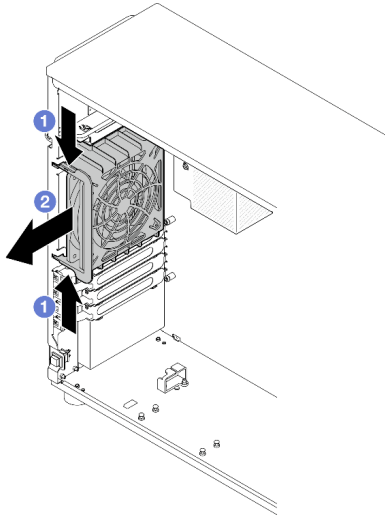


Figure 26. Removing the rear system fan

## After you finish

If you are instructed to return the component or optional device, follow all packaging instructions, and use any packaging materials for shipping that are supplied to you.

## Demo video

[Watch the procedure on Youtube](#)

## Install the rear system fan

Follow instructions in this section to install the rear system fan.

## About this task

To avoid potential danger, read and follow the following safety statements.

- **S002**



**CAUTION:**

The power-control button on the device and the power switch on the power supply do not turn off the electrical current supplied to the device. The device also might have more than one power cord. To remove all electrical current from the device, ensure that all power cords are disconnected from the power source.

- **S009**



**CAUTION:**

To avoid personal injury, disconnect the fan cables before removing the fan from the device.

- **S017**



**CAUTION:**

Hazardous moving fan blades nearby. Keep fingers and other body parts away.

- **S033**



**CAUTION:**

Hazardous energy present. Voltages with hazardous energy might cause heating when shorted with metal, which might result in spattered metal, burns, or both.

**Attention:**

- Read [“Installation Guidelines” on page 1](#) and [“Safety inspection checklist” on page 2](#) to ensure that you work safely.
- Touch the static-protective package that contains the component to any unpainted metal surface on the server; then, remove it from the package and place it on a static-protective surface.

**Procedure**

Step 1. Align the four tips on the rear system fan with the corresponding slots in the mounting area.

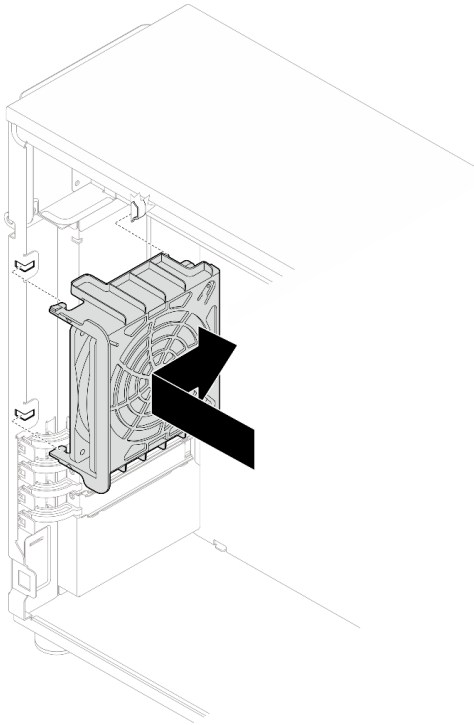


Figure 27. Positioning the rear system fan into the chassis

Step 2. Slide the rear system fan until it snaps into place. Ensure that all four tips on the fan are inserted into the corresponding slots as demonstrated.

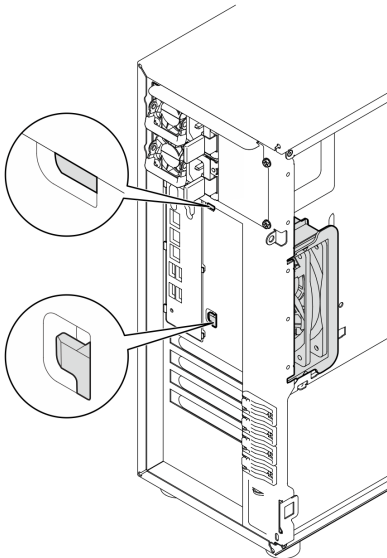


Figure 28. Installing the rear system fan

Step 3. Connect the fan power cable to the rear fan connector on the system board. See “System-board connectors” in *User Guide* or *System Configuration Guide* for more information and [“Fan power cable routing” on page 144](#).



## After you finish

Complete the parts replacement. See [“Complete the parts replacement” on page 135](#).

### Demo video

[Watch the procedure on Youtube](#)

---

## Front bezel replacement

Follow instructions in this section to remove and install the front bezel.

### Remove the front bezel

Follow instructions in this section to remove the front bezel.

### About this task

To avoid potential danger, read and follow the following safety statements.

- **S002**



#### CAUTION:

**The power-control button on the device and the power switch on the power supply do not turn off the electrical current supplied to the device. The device also might have more than one power cord. To remove all electrical current from the device, ensure that all power cords are disconnected from the power source.**

#### Attention:

- Read [“Installation Guidelines” on page 1](#) and [“Safety inspection checklist” on page 2](#) to ensure that you work safely.
- Power off the server and peripheral devices and disconnect the power cords and all external cables. See [“Power off the server” on page 7](#).
- If the server is in a rack, remove it from the rack.
- Remove any locking device that secures the server cover, such as a Kensington lock or a padlock.

### Procedure

Step 1. Make preparations for this task.

- a. Remove the server cover. See [“Remove the server cover” on page 113](#).
- b. Remove the front door. See [“Remove the front door” on page 43](#).

Step 2. Remove the front bezel.

- a. ① Lift the three plastic tabs to release left side of the bezel from the chassis.
- b. ② Pivot the bezel as shown to remove it from the chassis.

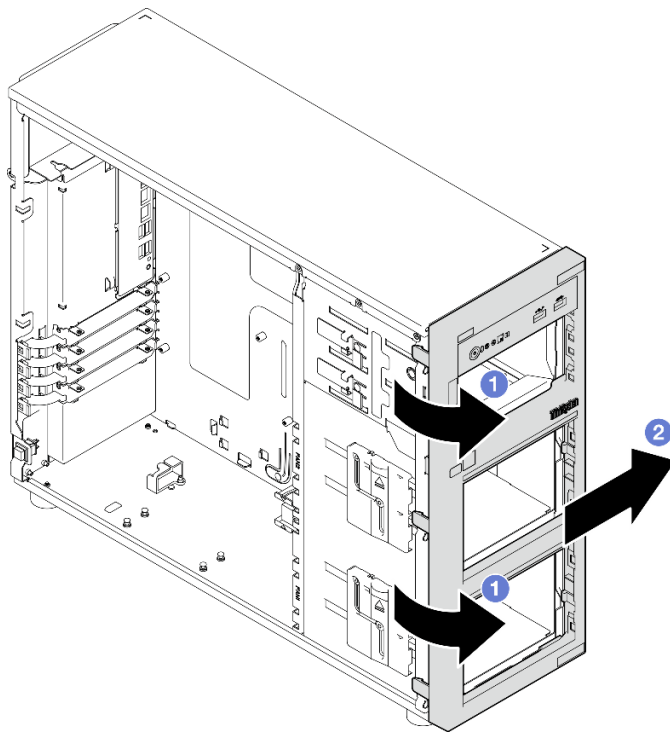


Figure 29. Removing the front bezel

## After you finish

If you are instructed to return the component or optional device, follow all packaging instructions, and use any packaging materials for shipping that are supplied to you.

## Demo video

[Watch the procedure on Youtube](#)

## Install the front bezel

Follow instructions in this section to install the front bezel.

## About this task

To avoid potential danger, read and follow the following safety statements.

- **S002**



### CAUTION:

The power-control button on the device and the power switch on the power supply do not turn off the electrical current supplied to the device. The device also might have more than one power cord. To remove all electrical current from the device, ensure that all power cords are disconnected from the power source.

**Attention:**

- Read [“Installation Guidelines” on page 1](#) and [“Safety inspection checklist” on page 2](#) to ensure that you work safely.

**Procedure**

Step 1. Install the front bezel.

- 1 Align the three plastic tabs on the right side of the front bezel with the corresponding holes on the chassis.
- 2 Pivot the front bezel and front door inward until the front bezel snaps into place on the left side.

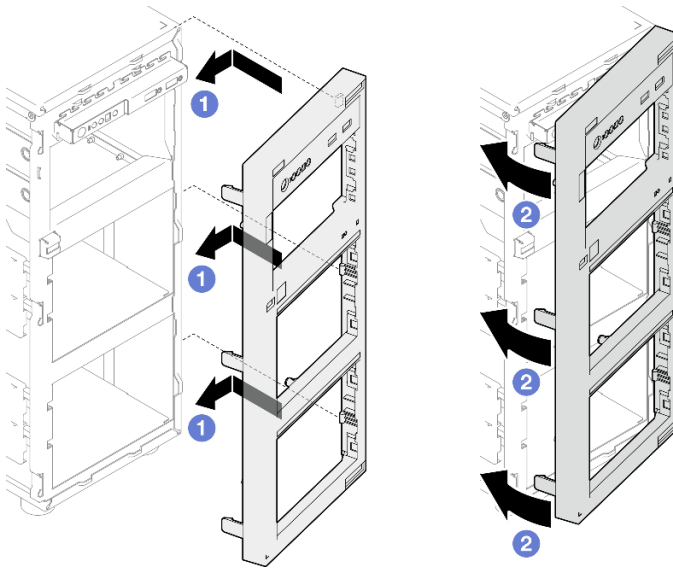


Figure 30. Installing the front bezel

**After you finish**

Complete the parts replacement. See [“Complete the parts replacement” on page 135](#).

**Demo video**

[Watch the procedure on Youtube](#)

---

**Front door replacement**

Follow instructions in this section to remove and install the front door.

**Note:** This section applies only to server models that have a front door installed.

**Remove the front door**

Follow instructions in this section to remove the front door.

**About this task**

To avoid potential danger, read and follow the following safety statements.

- **S033**



**CAUTION:**

Hazardous energy present. Voltages with hazardous energy might cause heating when shorted with metal, which might result in spattered metal, burns, or both.

**Attention:**

- Read “[Installation Guidelines](#)” on page 1 and “[Safety inspection checklist](#)” on page 2 to ensure that you work safely.
- Power off the server and peripheral devices and disconnect the power cords and all external cables. See “[Power off the server](#)” on page 7.
- If the server is in a rack, remove it from the rack.
- Remove any locking device that secures the server cover, such as a Kensington lock or a padlock.

**Procedure**

Step 1. Remove the front door.

- 1 Use the key in the material box to turn the cover lock to the unlocked position.
- 2 Open the front door.
- 3 Lift the front door slightly until you can completely remove it.

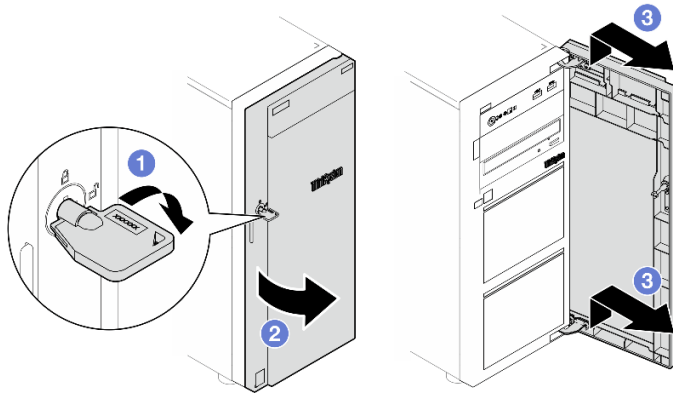


Figure 31. Removing the front door

**After you finish**

If you are instructed to return the component or optional device, follow all packaging instructions, and use any packaging materials for shipping that are supplied to you.

**Demo video**

[Watch the procedure on Youtube](#)

**Install the front door**

Follow instructions in this section to install the front door.

## About this task

To avoid potential danger, read and follow the following safety statements.

- **S033**



**CAUTION:**

**Hazardous energy present. Voltages with hazardous energy might cause heating when shorted with metal, which might result in spattered metal, burns, or both.**

**Attention:**

- Read [“Installation Guidelines” on page 1](#) and [“Safety inspection checklist” on page 2](#) to ensure that you work safely.
- Before installing the front door, if the server comes with rubber blocks to cover the holes for installing the front door, remove the rubber blocks first. Store the rubber blocks in case that you later remove the front door and need the rubber blocks to cover the holes in the front bezel.

## Procedure

Step 1. Install the front door.

- a. ① Align the two hooks on the front door with the corresponding holes on the front bezel; then, move the front door in and down until it is secured in place by the hooks.
- b. ② Close the front door.
- c. ③ Turn the cover lock to the locked position with the front door key.

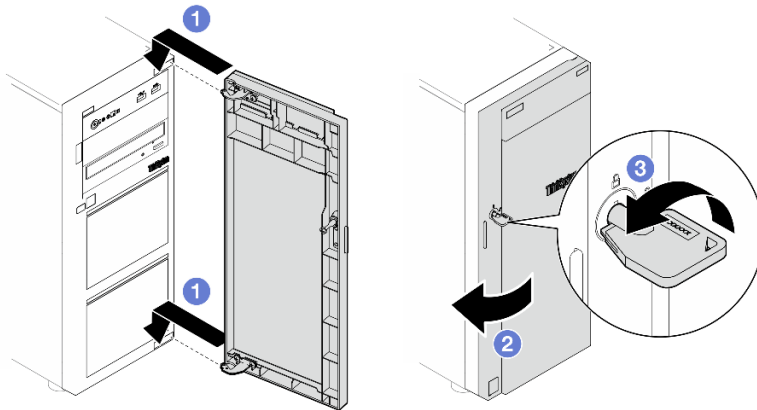


Figure 32. Installing the front door

## After you finish

Complete the parts replacement. See [“Complete the parts replacement” on page 135](#).

## Demo video

[Watch the procedure on Youtube](#)

---

## Front I/O module replacement

Follow instructions in this section to remove and install the front I/O module.

### Remove the front I/O module

Follow instructions in this section to remove the front I/O module.

#### About this task

To avoid potential danger, read and follow the following safety statements.

- **S002**



#### CAUTION:

The power-control button on the device and the power switch on the power supply do not turn off the electrical current supplied to the device. The device also might have more than one power cord. To remove all electrical current from the device, ensure that all power cords are disconnected from the power source.

#### Attention:

- Read [“Installation Guidelines” on page 1](#) and [“Safety inspection checklist” on page 2](#) to ensure that you work safely.
- Power off the server and peripheral devices and disconnect the power cords and all external cables. See [“Power off the server” on page 7](#).
- If the server is in a rack, remove it from the rack.
- Remove any locking device that secures the server cover, such as a Kensington lock or a padlock.

#### Procedure

Step 1. Make preparations for this task.

- a. Remove the server cover. See [“Remove the server cover” on page 113](#).
- b. Remove the front door. See [“Remove the front door” on page 43](#).
- c. Remove the front bezel. See [“Remove the front bezel” on page 41](#).

Step 2. Locate the front I/O module and disconnect the cables from the system board. See “System-board connectors” in *User Guide* or *System Configuration Guide* for more information.

Step 3. Remove the front I/O module.

- a. ① Press the release tab in the direction as shown in the illustration.
- b. ② Pivot the front I/O module outwards. Pull the cables out to completely remove the front I/O module from the chassis.

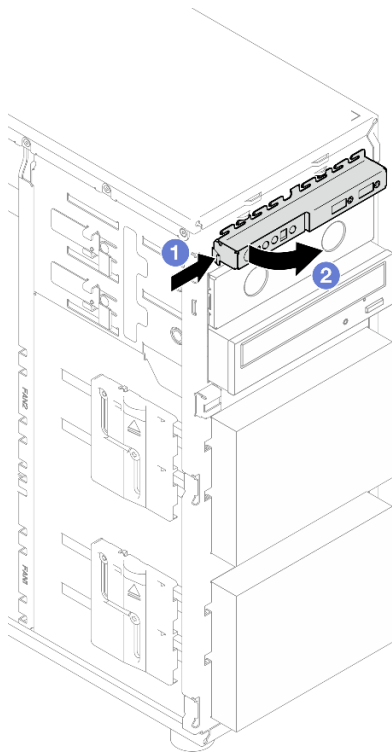


Figure 33. Removing the front I/O module

Step 4. Disconnect cables from the front I/O module.

### After you finish

If you are instructed to return the component or optional device, follow all packaging instructions, and use any packaging materials for shipping that are supplied to you.

### Demo video

[Watch the procedure on Youtube](#)

## Install the front I/O module

Follow instructions in this section to install the front I/O module.

### About this task

To avoid potential danger, read and follow the following safety statements.

- **S002**



#### CAUTION:

The power-control button on the device and the power switch on the power supply do not turn off the electrical current supplied to the device. The device also might have more than one power cord.

To remove all electrical current from the device, ensure that all power cords are disconnected from the power source.

**Attention:**

- Read [“Installation Guidelines” on page 1](#) and [“Safety inspection checklist” on page 2](#) to ensure that you work safely.
- Touch the static-protective package that contains the component to any unpainted metal surface on the server; then, remove it from the package and place it on a static-protective surface.

**Procedure**

- Step 1. Connect cables to the new front I/O module, and route the cables through the corresponding hole on the chassis.
- Step 2. Install the front I/O module.
- a. 1 Align the tab on the top and on the right side of the front I/O module with the side of the corresponding hole in the chassis.
  - b. 2 Pivot the front I/O module in until it clicks into place.

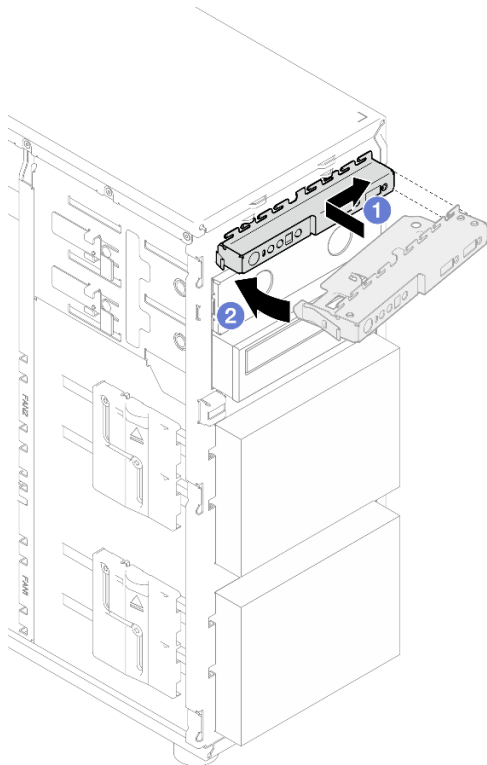


Figure 34. Installing the front I/O module

- Step 3. Connect the respective cables to the front I/O module connector and the front USB connector on the system board. See [“Front I/O module cable routing” on page 144](#) for more information.

**After you finish**

Complete the parts replacement. See [“Complete the parts replacement” on page 135](#).

**Demo video**



[Watch the procedure on Youtube](#)

---

## Heat sink and fan module replacement

Follow instructions in this section to remove and install the heat sink and fan module.

### S033



#### **CAUTION:**

**Hazardous energy present. Voltages with hazardous energy might cause heating when shorted with metal, which might result in spattered metal, burns, or both.**

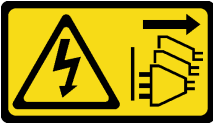
## Remove the heat sink and fan module

Follow instructions in this section to remove the heat sink and fan module. This procedure must be executed by a trained technician

### About this task

To avoid potential danger, read and follow the following safety statements.

- S002



#### **CAUTION:**

**The power-control button on the device and the power switch on the power supply do not turn off the electrical current supplied to the device. The device also might have more than one power cord. To remove all electrical current from the device, ensure that all power cords are disconnected from the power source.**

- S009



#### **CAUTION:**

**To avoid personal injury, disconnect the fan cables before removing the fan from the device.**

- S014



#### **CAUTION:**

Hazardous voltage, current, and energy levels might be present. Only a qualified service technician is authorized to remove the covers where the label is attached.

- **S017**



**CAUTION:**

Hazardous moving fan blades nearby. Keep fingers and other body parts away.

- **S033**



**CAUTION:**

Hazardous energy present. Voltages with hazardous energy might cause heating when shorted with metal, which might result in spattered metal, burns, or both.

**Attention:**

- Read [“Installation Guidelines” on page 1](#) and [“Safety inspection checklist” on page 2](#) to ensure that you work safely.
- Power off the server and peripheral devices and disconnect the power cords and all external cables. See [“Power off the server” on page 7](#).
- If the server is in a rack, remove it from the rack.
- Remove any locking device that secures the server cover, such as a Kensington lock or a padlock.

**Procedure**

Step 1. Remove the server cover. See [“Remove the server cover” on page 113](#).

**CAUTION:**

**The heat sinks and processor could be very hot. To avoid from burning yourself, wait for a few minutes before removing the server cover after turning off the server.**

Step 2. Disconnect the heat sink and fan module cable from the system board.

Step 3. Remove the heat sink and fan module.

**Important:**

1. Gently remove the four screws to avoid any possible damage to the system board.
2. Always keep the four screws attached to the heat sink and fan module.
3. Do not touch the thermal grease while handling the heat sink and fan module.

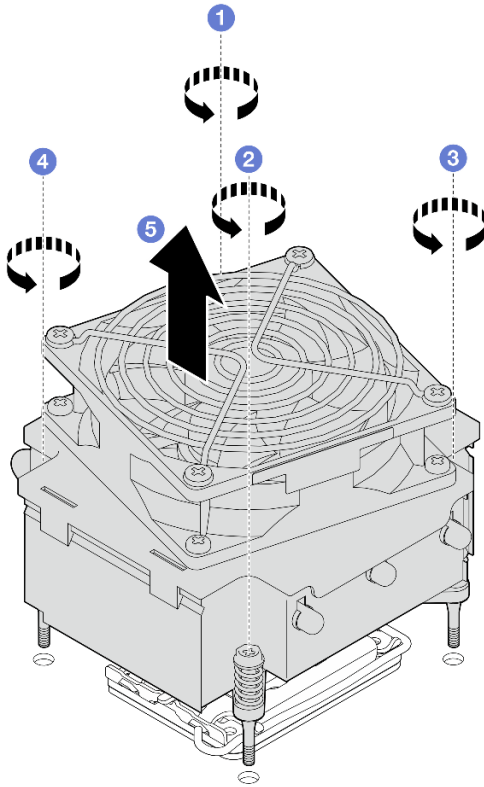


Figure 35. Removing the heat sink and fan module

- a. ① & ② Loosen screw 1 and 2: First, partially loosen screw 1; then, fully loosen screw 2. Finally, fully loosen screw 1.
- b. ③ & ④ Loosen screw 3 and 4: First, partially loosen screw 3; then, fully loosen screw 4. Finally, fully loosen screw 3.
- c. ⑤ Lift evenly and remove the heat sink and fan module from the server.

## After you finish

If you are instructed to return the component or optional device, follow all packaging instructions, and use any packaging materials for shipping that are supplied to you.

## Demo video

[Watch the procedure on Youtube](#)

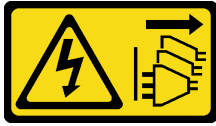
## Install the heat sink and the fan module

Follow instructions in this section to install the heat sink and the fan module. This procedure must be executed by a trained technician.

## About this task

To avoid potential danger, read and follow the following safety statements.

- **S002**



**CAUTION:**

The power-control button on the device and the power switch on the power supply do not turn off the electrical current supplied to the device. The device also might have more than one power cord. To remove all electrical current from the device, ensure that all power cords are disconnected from the power source.

- S009



**CAUTION:**

To avoid personal injury, disconnect the fan cables before removing the fan from the device.

- S014



**CAUTION:**

Hazardous voltage, current, and energy levels might be present. Only a qualified service technician is authorized to remove the covers where the label is attached.

- S017



**CAUTION:**

Hazardous moving fan blades nearby. Keep fingers and other body parts away.

- S033



**CAUTION:**

Hazardous energy present. Voltages with hazardous energy might cause heating when shorted with metal, which might result in spattered metal, burns, or both.

**Attention:**

- Read [“Installation Guidelines” on page 1](#) and [“Safety inspection checklist” on page 2](#) to ensure that you work safely.
- Touch the static-protective package that contains the component to any unpainted metal surface on the server; then, remove it from the package and place it on a static-protective surface.

## Procedure

Step 1. Install the processor if one is not yet installed. See [“Install the processor” on page 100](#).

Step 2. Align the four screws on the heat sink and fan assembly with the corresponding screw holes on the system board.

**Note:** Make sure that the “Front” label is facing the front of the server.

Step 3. Install the heat sink and fan module.

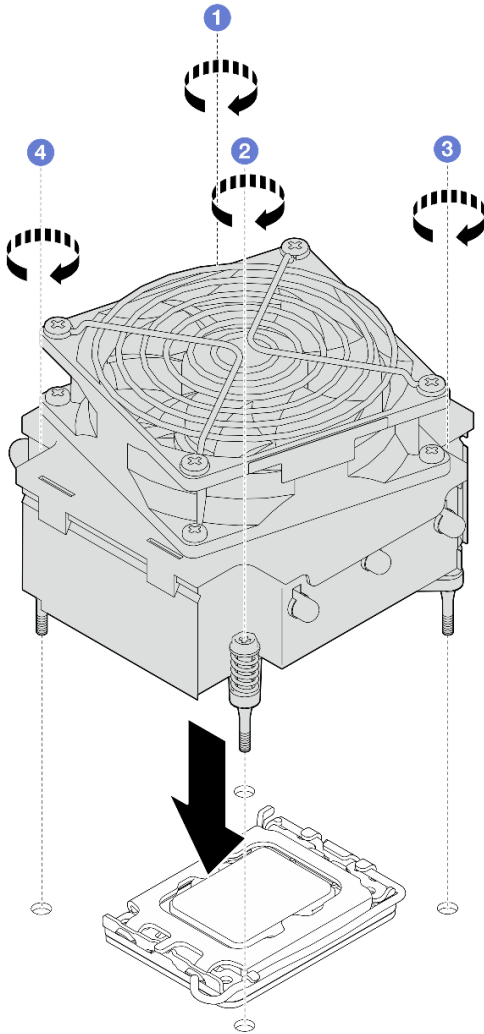


Figure 36. Installing the heat sink and the fan module

- a. ① & ② Tighten screw 1 and 2: First, partially tighten screw 1; then, fully tighten screw 2. Finally, fully tighten screw 1.
- b. ③ & ④ Tighten screw 3 and 4: First, partially tighten screw 3; then, fully tighten screw 4. Finally, fully tighten screw 3.

Step 4. Connect the fan power cable to the Fan 2 connector on the system board. See [“Fan power cable routing” on page 144](#) for more information.

## After you finish

Complete the parts replacement. See [“Complete the parts replacement” on page 135](#).

### Demo video

[Watch the procedure on Youtube](#)

---

## Intrusion switch replacement

Follow instructions in this section to remove and install the intrusion switch. The intrusion switch informs you that the server cover is not properly installed or closed by creating an event in the system event log (SEL).

### Remove the intrusion switch

Follow instructions in this section to remove the intrusion switch.

#### About this task

To avoid potential danger, read and follow the following safety statements.

- **S002**



#### CAUTION:

The power-control button on the device and the power switch on the power supply do not turn off the electrical current supplied to the device. The device also might have more than one power cord. To remove all electrical current from the device, ensure that all power cords are disconnected from the power source.

#### Attention:

- Read [“Installation Guidelines” on page 1](#) and [“Safety inspection checklist” on page 2](#) to ensure that you work safely.
- Power off the server and peripheral devices and disconnect the power cords and all external cables. See [“Power off the server” on page 7](#).
- If the server is in a rack, remove it from the rack.
- Remove any locking device that secures the server cover, such as a Kensington lock or a padlock.

#### Procedure

- Step 1. Remove the server cover. See [“Remove the server cover” on page 113](#).
- Step 2. Disconnect the cable of the intrusion switch from the system board. See [“System-board connectors” in \*User Guide\* or \*System Configuration Guide\*](#) for more information.
- Step 3. Pinch the two tabs on the intrusion switch towards each other, and pull the intrusion switch out.

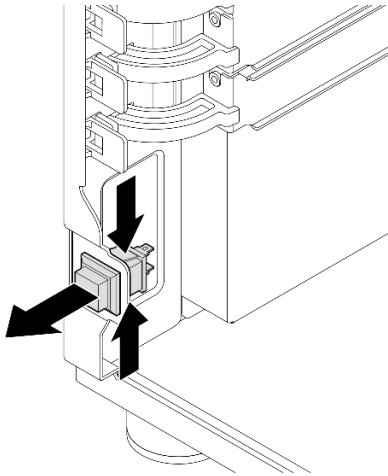


Figure 37. Removing the intrusion switch

## After you finish

If you are instructed to return the component or optional device, follow all packaging instructions, and use any packaging materials for shipping that are supplied to you.

### Demo video

[Watch the procedure on Youtube](#)

## Install the intrusion switch

Follow instructions in this section to install the intrusion switch.

## About this task

To avoid potential danger, read and follow the following safety statements.

- **S002**



### CAUTION:

**The power-control button on the device and the power switch on the power supply do not turn off the electrical current supplied to the device. The device also might have more than one power cord. To remove all electrical current from the device, ensure that all power cords are disconnected from the power source.**

### Attention:

- Read [“Installation Guidelines” on page 1](#) and [“Safety inspection checklist” on page 2](#) to ensure that you work safely.
- Touch the static-protective package that contains the component to any unpainted metal surface on the server; then, remove it from the package and place it on a static-protective surface.

## Procedure

Step 1. Push the intrusion switch in the slot until it clicks into place.

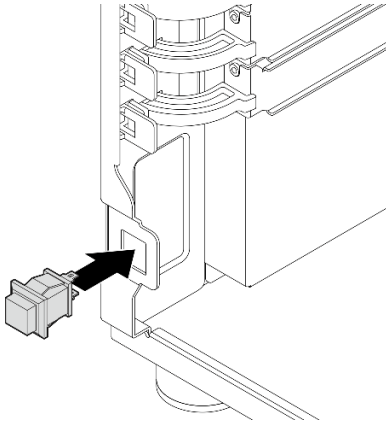


Figure 38. Installing the intrusion switch

Step 2. Connect the cable to the corresponding connector on the system board. See [“Intrusion switch and RAID flash power module cable routing”](#) on page 146 for more information.

## After you finish

Complete the parts replacement. See [“Complete the parts replacement”](#) on page 135.

## Demo video

[Watch the procedure on Youtube](#)

---

## M.2 boot adapter replacement

Follow instructions in this section to remove and install the M.2 boot adapter.

### Remove the M.2 boot adapter

Follow instructions in this section to remove the M.2 boot adapter.

### About this task

To avoid potential danger, read and follow the following safety statements.

- **S002**



#### CAUTION:

The power-control button on the device and the power switch on the power supply do not turn off the electrical current supplied to the device. The device also might have more than one power cord. To remove all electrical current from the device, ensure that all power cords are disconnected from the power source.

#### Attention:



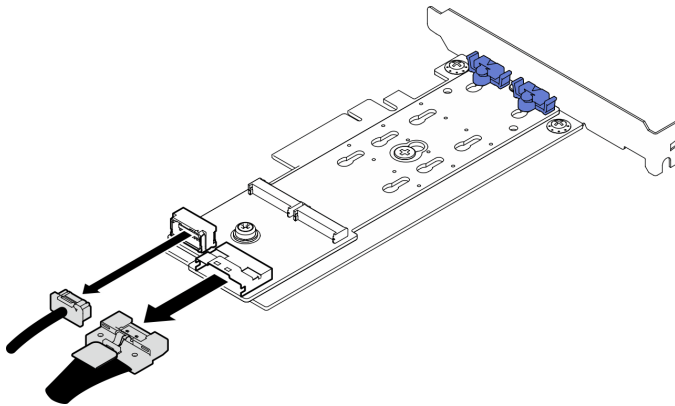
- Read [“Installation Guidelines” on page 1](#) and [“Safety inspection checklist” on page 2](#) to ensure that you work safely.
- Power off the server and peripheral devices and disconnect the power cords and all external cables. See [“Power off the server” on page 7](#).
- If the server is in a rack, remove it from the rack.
- Remove any locking device that secures the server cover, such as a Kensington lock or a padlock.

## Procedure

Step 1. Make preparations for this task.

- a. Remove the server cover. See [“Remove the server cover” on page 113](#).
- b. Disconnect the M.2 boot adapter cables from the system board.
- c. Remove the PCIe adapter that secures the M.2 boot adapter. See [“Remove the PCIe adapter” on page 77](#).
- d. Remove all the M.2 drives from the M.2 boot adapter. See [“Remove an M.2 drive” on page 61](#).

Step 2. Disconnect the power and signal cables from the M.2 boot adapter.



*Figure 39. Disconnecting the power and signal cables*

Step 3. Remove the M.2 boot adapter.

- a. ① Remove the screw that secures the M.2 boot adapter to the PCIe adapter.
- b. ② Loosen the captive screw on the M.2 boot adapter.
- c. ③ Slightly slide the M.2 boot adapter as illustrated and carefully separate it from the PCIe adapter.

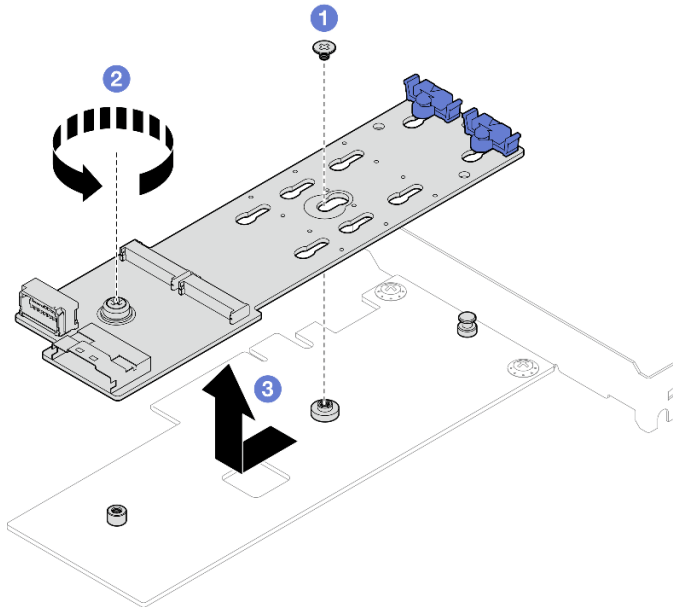


Figure 40. Removing the M.2 boot adapter

## After you finish

1. Install another M.2 boot adapter if necessary, see “[Install the M.2 boot adapter](#)” on page 58. Otherwise, install a bracket to cover the vacancy on the chassis, and close the retainer.
2. If you are instructed to return the component or optional device, follow all packaging instructions, and use any packaging materials for shipping that are supplied to you.

## Demo video

[Watch the procedure on Youtube](#)

## Install the M.2 boot adapter

Follow instructions in this section to install the M.2 boot adapter.

## About this task

To avoid potential danger, read and follow the following safety statements.

- **S002**



### CAUTION:

The power-control button on the device and the power switch on the power supply do not turn off the electrical current supplied to the device. The device also might have more than one power cord. To remove all electrical current from the device, ensure that all power cords are disconnected from the power source.

### Attention:

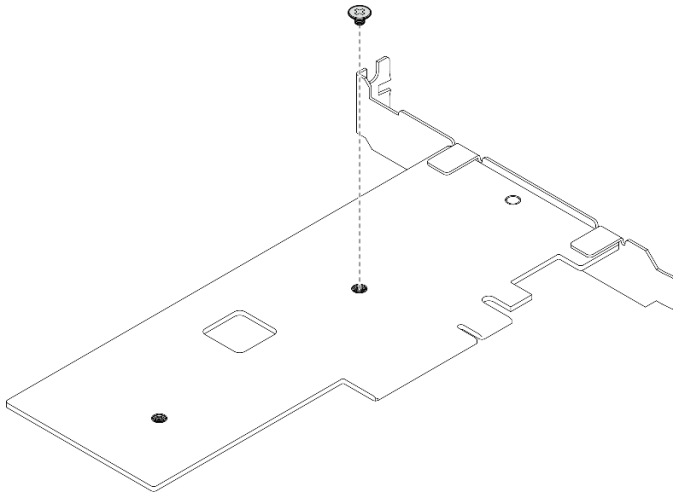
- Read “[Installation Guidelines](#)” on page 1 and “[Safety inspection checklist](#)” on page 2 to ensure that you work safely.
- Touch the static-protective package that contains the component to any unpainted metal surface on the server; then, remove it from the package and place it on a static-protective surface.

**Notes:**

- When an M.2 adapter is installed, with software RAID, the system supports one of the following storage configurations:
  - Up to four 3.5-inch simple-swap SATA drives
  - Up to four 3.5-inch hot-swap SATA drives
- When an M.2 adapter is installed, 2.5-inch hot-swap SATA drives and optical/tape drives are not supported.

**Procedure**

Step 1. Remove the screw on the back of the PCIe adapter.



*Figure 41. Removing the screw on the back of the PCIe adapter*

Step 2. Secure the M.2 boot adapter to the PCIe adapter.

- 1 Align the M.2 boot adapter with the T-head pin on the PCIe adapter as illustrated, and slide it into place.
- 2 Tighten the captive screw on the M.2 boot adapter.
- 3 Tighten the screw to secure the M.2 boot adapter to the PCIe adapter.

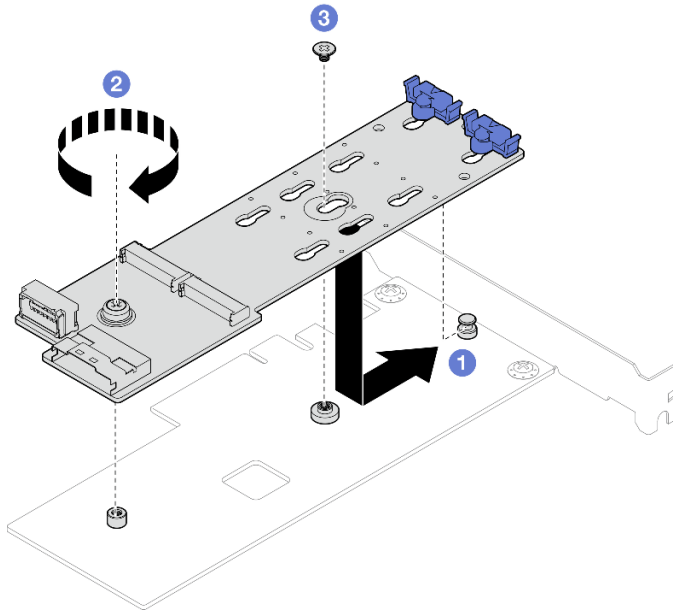


Figure 42. Securing the M.2 boot adapter to the PCIe adapter

Step 3. Connect the power and signal cables to the M.2 boot adapter.

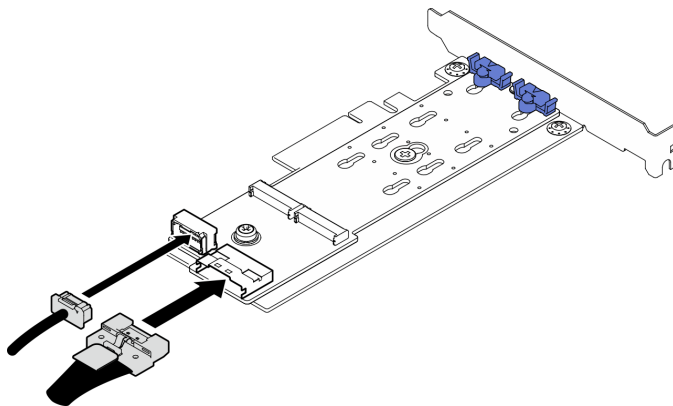


Figure 43. Installing the M.2 power and signal cables

## After you finish

1. Reinstall the M.2 drives to the M.2 boot adapter. See [“Install an M.2 drive” on page 63](#).
2. Install the PCIe adapter that secures the M.2 boot adapter. See [“Install the PCIe adapter” on page 79](#).

**Note:** The M.2 boot adapter can only be installed in **PCIe slot 4**.

3. Connect the power cable and the signal cable to the system board. See [“M.2 adapter cable routing” on page 146](#).
4. Install the server cover. See [“Install the server cover” on page 115](#).
5. Complete the parts replacement. See [“Complete the parts replacement” on page 135](#).

## Demo video

[Watch the procedure on Youtube](#)

---

## M.2 drive replacement

Follow instructions in this section to remove and install the M.2 drive.

### Remove an M.2 drive

Follow instructions in this section to remove an M.2 drive.

#### About this task

To avoid potential danger, read and follow the following safety statements.

- **S002**



#### CAUTION:

The power-control button on the device and the power switch on the power supply do not turn off the electrical current supplied to the device. The device also might have more than one power cord. To remove all electrical current from the device, ensure that all power cords are disconnected from the power source.

#### Attention:

- Read [“Installation Guidelines” on page 1](#) and [“Safety inspection checklist” on page 2](#) to ensure that you work safely.
- Power off the server and peripheral devices and disconnect the power cords and all external cables. See [“Power off the server” on page 7](#).
- If the server is in a rack, remove it from the rack.
- Remove any locking device that secures the server cover, such as a Kensington lock or a padlock.

#### Procedure

Step 1. Remove the server cover. See [“Remove the server cover” on page 113](#).

Step 2. Remove an M.2 drive.

- a. ① Press both sides of the retainers.
- b. ② Slide the retainer backwards to loosen the M.2 drive from the M.2 boot adapter.
- c. ③ Pivot the M.2 drive away from the M.2 boot adapter.
- d. ④ Pull the M.2 drive away from the connector at an angle.

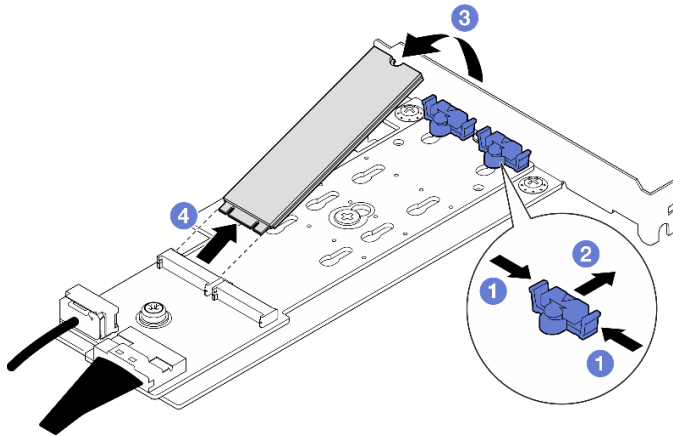


Figure 44. Removing an M.2 drive

## After you finish

If you are instructed to return the component or optional device, follow all packaging instructions, and use any packaging materials for shipping that are supplied to you.

## Demo video

[Watch the procedure on Youtube](#)

## Adjust the retainer on the M.2 boot adapter

Follow instructions in this section to adjust the retainer on the M.2 boot adapter.

## About this task

To avoid potential danger, read and follow the following safety statements.

- **S002**



### CAUTION:

The power-control button on the device and the power switch on the power supply do not turn off the electrical current supplied to the device. The device also might have more than one power cord. To remove all electrical current from the device, ensure that all power cords are disconnected from the power source.

### Attention:

- Read “[Installation Guidelines](#)” on page 1 and “[Safety inspection checklist](#)” on page 2 to ensure that you work safely.
- Power off the server and peripheral devices and disconnect the power cords and all external cables. See “[Power off the server](#)” on page 7.
- If the server is in a rack, remove it from the rack.
- Remove any locking device that secures the server cover, such as a Kensington lock or a padlock.

## Procedure

Step 1. Before adjusting the retainer on the M.2 boot adapter, locate the correct keyhole that the retainer should be installed into to accommodate the particular size of the M.2 drive to be installed.

**Note:** The M.2 boot adapter might be different from the following illustrations, but the adjustment method is the same.

Step 2. Adjust the retainer on the M.2 boot adapter.

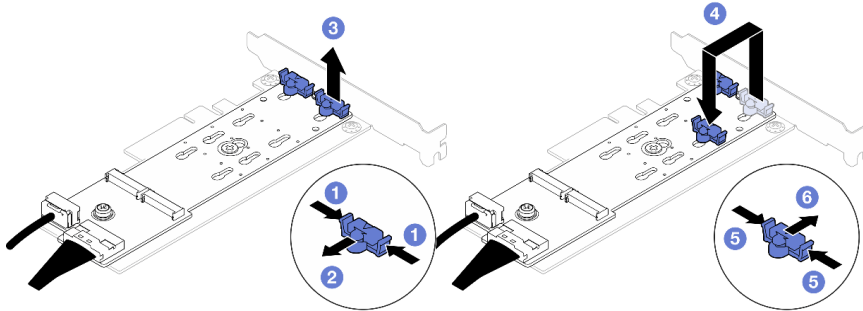


Figure 45. Adjusting the M.2 retainer

- a. ① Press both sides of the retainers.
- b. ② Move the retainer forward until it is in the large opening of the keyhole.
- c. ③ Take the retainer out of the keyhole.
- d. ④ Insert the retainer into the correct keyhole to accommodate the particular size of the M.2 drive to be installed.
- e. ⑤ Press both sides of the retainer.
- f. ⑥ Slide the retainer backwards until it is seated in place.

## Install an M.2 drive

Follow instructions in this section to install an M.2 drive.

### About this task

To avoid potential danger, read and follow the following safety statements.

- **S002**



#### CAUTION:

The power-control button on the device and the power switch on the power supply do not turn off the electrical current supplied to the device. The device also might have more than one power cord. To remove all electrical current from the device, ensure that all power cords are disconnected from the power source.

#### Attention:

- Read [“Installation Guidelines” on page 1](#) and [“Safety inspection checklist” on page 2](#) to ensure that you work safely.

- Touch the static-protective package that contains the component to any unpainted metal surface on the server; then, remove it from the package and place it on a static-protective surface.

## Procedure

Step 1. Locate the M.2 drive slot on the M.2 boot adapter.

**Note:** As ThinkSystem ST250 V3 supports two M.2 drives, install your M.2 drive in **slot 0** first.

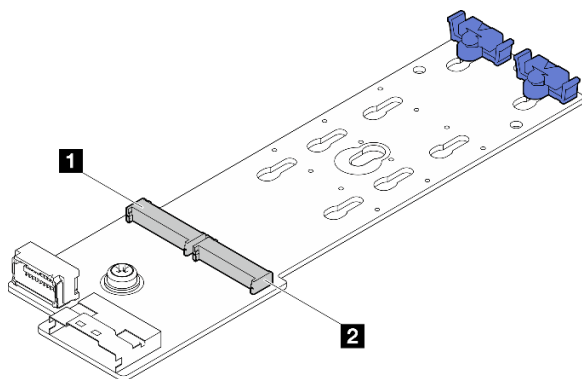


Figure 46. M.2 drive slots

Table 2. M.2 drive slot locations on M.2 boot adapter

<b>1</b> M.2 drive slot 0	<b>2</b> M.2 drive slot 1
---------------------------	---------------------------

Step 2. Install an M.2 drive.

- 1** Insert the M.2 drive at an angle into the connector.
- 2** Pivot the M.2 drive down until the notch catches on the lip of the retainer.
- 3** Slide the retainer forward (towards the connector) to secure the M.2 drive into place.

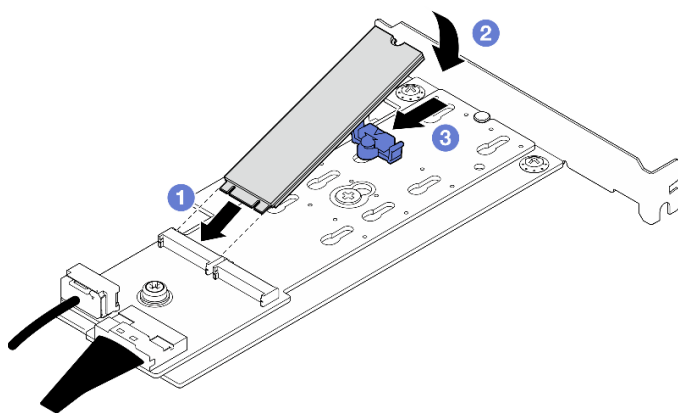


Figure 47. Installing an M.2 drive

## After you finish

- Complete the parts replacement. See [“Complete the parts replacement” on page 135](#).

## Demo video

[Watch the procedure on Youtube](#)



---

## Memory module replacement

Use the following procedures to remove and install a memory module.

### Remove a memory module

Follow instructions in this section to remove a memory module.

#### About this task

To avoid potential danger, read and follow the following safety statements.

- **S002**



#### CAUTION:

**The power-control button on the device and the power switch on the power supply do not turn off the electrical current supplied to the device. The device also might have more than one power cord. To remove all electrical current from the device, ensure that all power cords are disconnected from the power source.**

#### Attention:

- Read [“Installation Guidelines” on page 1](#) and [“Safety inspection checklist” on page 2](#) to ensure that you work safely.
- Power off the server and peripheral devices and disconnect the power cords and all external cables. See [“Power off the server” on page 7](#).
- If the server is installed in a rack, remove the server from the rack.
- Remove any locking device that secures the server cover, such as a Kensington lock or a pad lock.
- Make sure to remove or install memory module 20 seconds after disconnecting power cords from the system. It allows the system to be completely discharged of electricity and safe for handling memory module.
- Memory modules are sensitive to static discharge and require special handling. Refer to the standard guidelines for [“Handling static-sensitive devices” on page 4](#).
  - Always wear an electrostatic-discharge strap when removing or installing memory modules. Electrostatic-discharge gloves can also be used.
  - Never hold two or more memory modules together so that they do not touch each other. Do not stack memory modules directly on top of each other during storage.
  - Never touch the gold memory module connector contacts or allow these contacts to touch the outside of the memory module connector housing.
  - Handle memory modules with care: never bend, twist, or drop a memory module.
  - Do not use any metal tools (such as jigs or clamps) to handle the memory modules, because the rigid metals may damage the memory modules.
  - Do not insert memory modules while holding packages or passive components, which can cause package cracks or detachment of passive components by the high insertion force.

#### Procedure

**Attention:** Make sure to remove or install memory module 20 seconds after disconnecting power cords from the system. It allows the system to be completely discharged of electricity and safe for handling memory module.

Step 1. Remove the server cover. See [“Remove the server cover”](#) on page 113.

Step 2. Determine which memory module to be removed from the server, and locate its corresponding connector on the system board.

The following illustration shows the location of memory module slots on the system board.

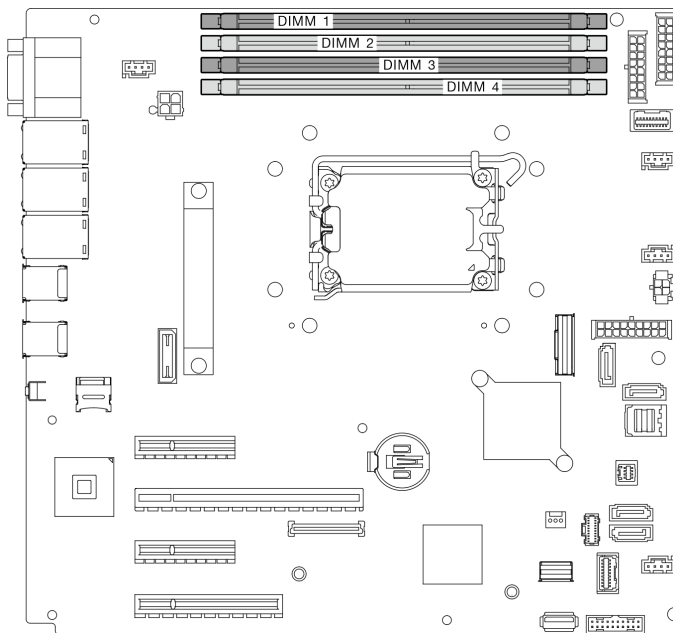


Figure 48. Memory module slots on the system board

Step 3. Open the retaining clips on each end of the memory module slot. If necessary, you can use a pointed tool to open the retaining clips due to space constraints. Pencils are not recommended as a tool as they may not be strong enough.

- a. ① Place the tip of the tool in the recess on the top of the retaining clip.
- b. ② Carefully rotate the retaining clip away from the memory module slot.

**Attention:**

- To avoid breaking the retaining clips or damaging the memory module slots, handle the clips gently.
- If necessary, you can use a pointed tool to open the retaining clips due to space constraints. Pencils are not recommended as a tool as they may not be strong enough.

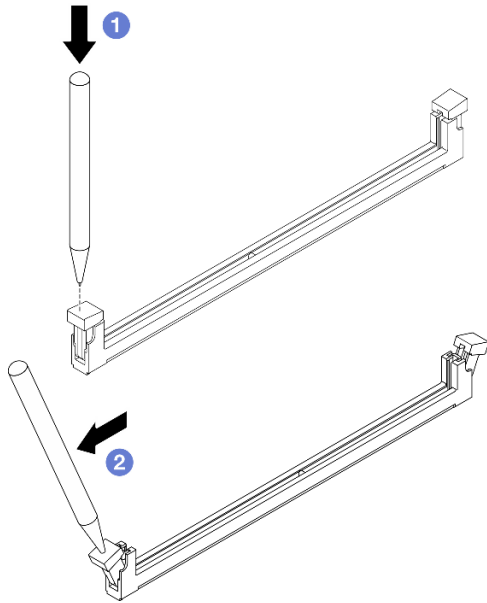
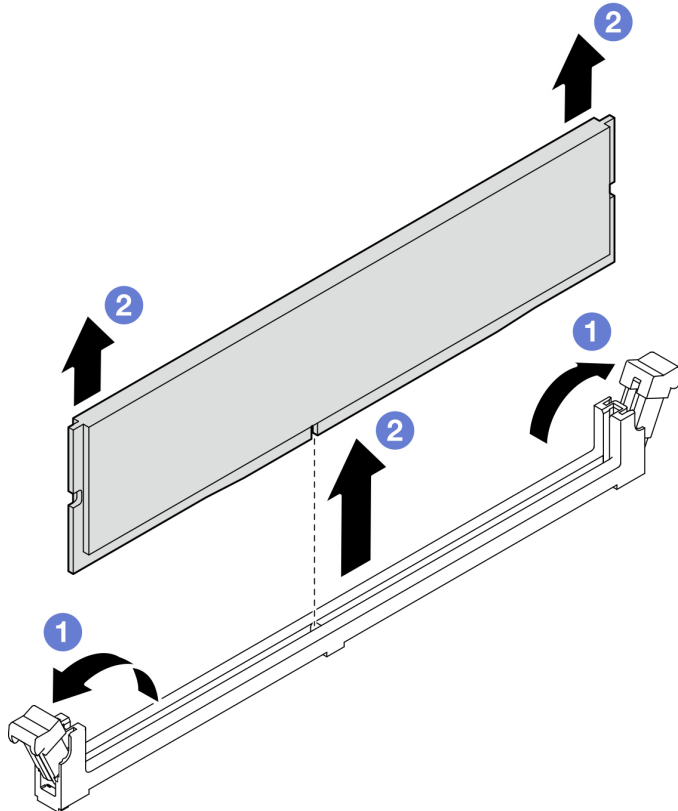


Figure 49. Opening retaining clips

- Step 4. Remove the memory module.
- 1 Make sure the retaining clips are in the fully open position.
  - 2 Pull the memory module out of the slot with both hands.

Figure 50. Removing a memory module



## After you finish

If you are instructed to return the component or optional device, follow all packaging instructions, and use any packaging materials for shipping that are supplied to you.

### Demo video

[Watch the procedure on Youtube](#)

## Install a memory module

Follow instructions in this section to install a memory module.

### About this task

To avoid potential danger, read and follow the following safety statements.

- **S002**



**CAUTION:**

The power-control button on the device and the power switch on the power supply do not turn off the electrical current supplied to the device. The device also might have more than one power cord. To remove all electrical current from the device, ensure that all power cords are disconnected from the power source.

**Attention:**

- Read [“Installation Guidelines” on page 1](#) and [“Safety inspection checklist” on page 2](#) to ensure that you work safely.
- Make sure to adopt one of the supported configurations listed in [“Memory module installation rules and order” on page 5](#).
- Touch the static-protective package that contains the component to any unpainted metal surface on the server; then, remove it from the package and place it on a static-protective surface.
- Make sure to remove or install memory module 20 seconds after disconnecting power cords from the system. It allows the system to be completely discharged of electricity and safe for handling memory module.
- Memory modules are sensitive to static discharge and require special handling. Refer to the standard guidelines at [“Handling static-sensitive devices” on page 4](#):
  - Always wear an electrostatic-discharge strap when removing or installing memory modules. Electrostatic-discharge gloves can also be used.
  - Never hold two or more memory modules together so that they do not touch each other. Do not stack memory modules directly on top of each other during storage.
  - Never touch the gold memory module connector contacts or allow these contacts to touch the outside of the memory module connector housing.
  - Handle memory modules with care: never bend, twist, or drop a memory module.
  - Do not use any metal tools (such as jigs or clamps) to handle the memory modules, because the rigid metals may damage the memory modules.

- Do not insert memory modules while holding packages or passive components, which can cause package cracks or detachment of passive components by the high insertion force.

## Procedure

**Attention:** Make sure to remove or install memory module 20 seconds after disconnecting power cords from the system. It allows the system to be completely discharged of electricity and safe for handling memory module.

Step 1. Locate the memory module slot on the system board.

The following illustration shows the location of memory module slots on the system board.

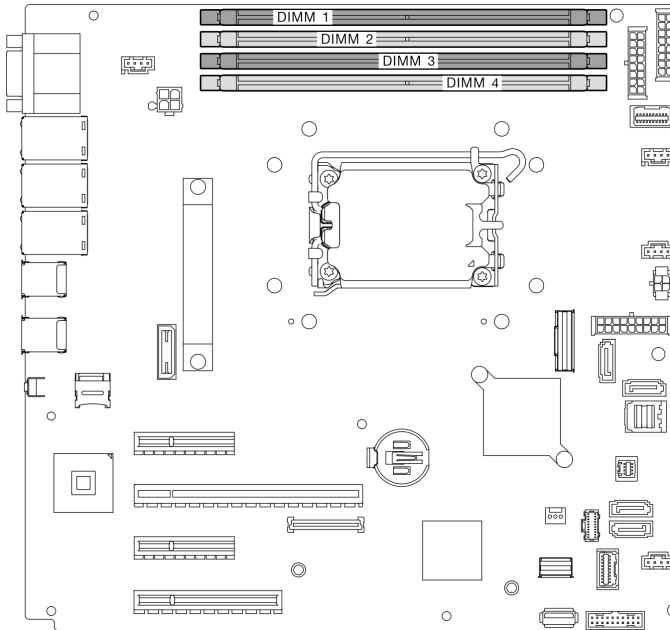


Figure 51. Memory module slots on the system board

Step 2. Open the retaining clips on each end of memory module slot.

- 1 Place the tip of tool in the recess on the top of the retaining clip.
- 2 Carefully rotate the retaining clip away from the memory module slot.

### Attention:

- To avoid breaking the retaining clips or damaging the memory module slots, handle the clips gently.
- If necessary, you can use a pointed tool to open the retaining clips due to space constraints. Pencils are not recommended as a tool as they may not be strong enough.

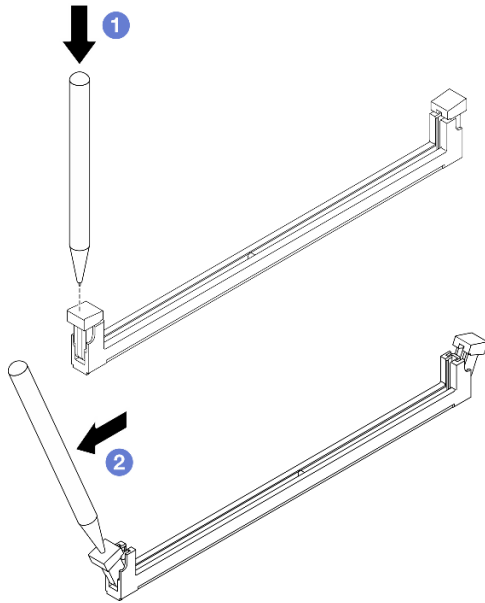


Figure 52. Opening retaining clips

- Step 3. Touch the static-protective package that contains the memory module to any unpainted surface on the outside of the server. Then, remove the memory module from the package and place it on a static-protective surface.
- Step 4. Install the memory module.
- 1 Make sure that the retaining clips are in the fully open position. Align the keys on the memory module with the connector.
  - 2 Firmly press both ends of the memory module straight down into the connector until the retaining clips snap into the locked position.

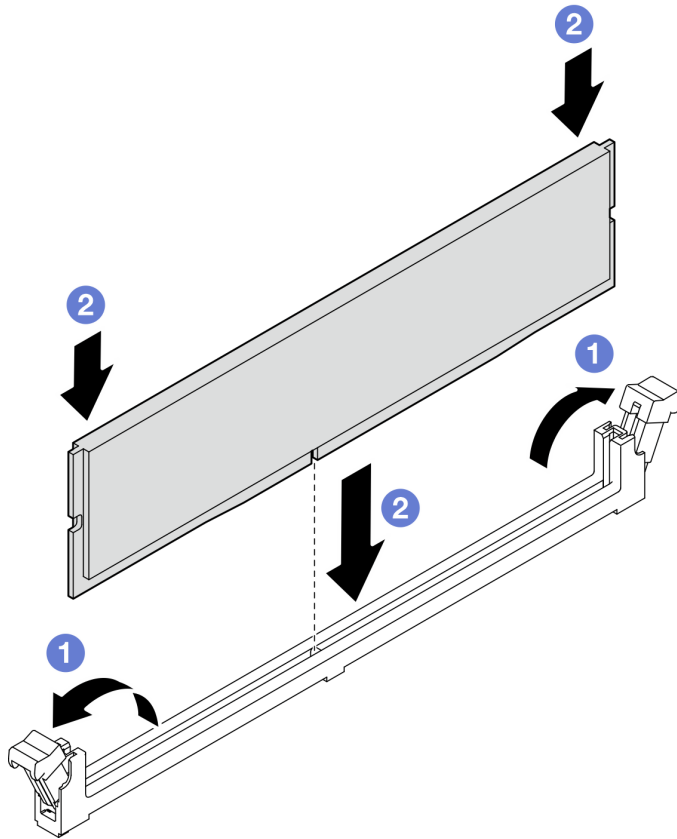


Figure 53. Installing a memory module

**Note:** If there is a gap between the memory module and the retaining clips, the memory module has not been correctly inserted. In this case, open the retaining clips, remove the memory module, and then reinsert it.

## After you finish

Complete the parts replacement. See [“Complete the parts replacement” on page 135](#).

## Demo video

[Watch the procedure on Youtube](#)

---

## Optical drive replacement

Follow instructions in this section to remove and install an optical drive.

**Note:** This section applies only to server models that have an optical drive installed.

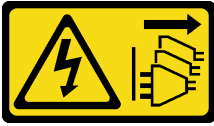
## Remove an optical drive

Follow instructions in this section to remove an optical drive.

## About this task

To avoid potential danger, read and follow the following safety statements.

- **S002**



**CAUTION:**

The power-control button on the device and the power switch on the power supply do not turn off the electrical current supplied to the device. The device also might have more than one power cord. To remove all electrical current from the device, ensure that all power cords are disconnected from the power source.

- **S006**



**CAUTION:**

When laser products (such as CD-ROMs, DVD drives, fiber optic devices, or transmitters) are installed, note the following:

- Do not remove the covers. Removing the covers of the laser product could result in exposure to hazardous laser radiation. There are no serviceable parts inside the device.
- Use of controls or adjustments or performance of procedures other than those specified herein might result in hazardous radiation exposure.

**Attention:**

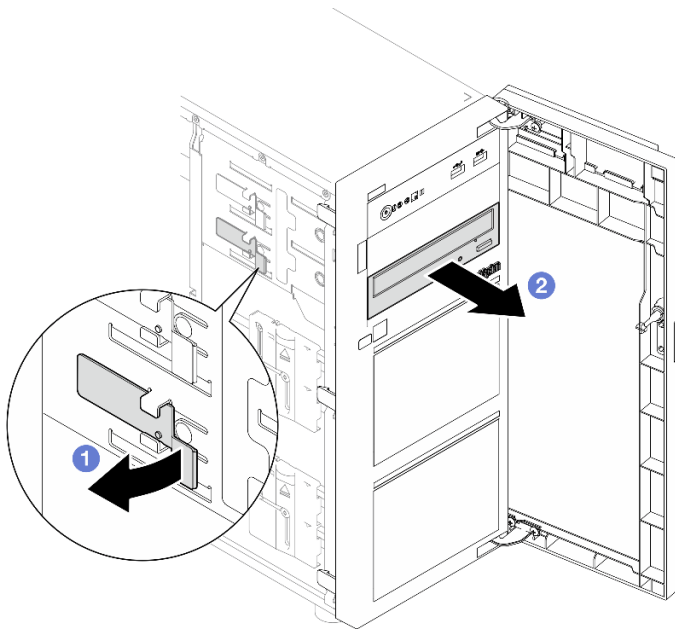
- Read [“Installation Guidelines” on page 1](#) and [“Safety inspection checklist” on page 2](#) to ensure that you work safely.
- Power off the server and peripheral devices and disconnect the power cords and all external cables. See [“Power off the server” on page 7](#).
- If the server is in a rack, remove it from the rack.
- Remove any locking device that secures the server cover, such as a Kensington lock or a padlock.
- Use the front door key to unlock the front door, and then open the front door.

**Procedure**

- Step 1. Remove the server cover. See [“Remove the server cover” on page 113](#).
- Step 2. Disconnect the cables from the rear of the optical drive.
- Step 3. Remove the optical drive.
  - 1 Gently pull the metal tab on the side of the chassis and push the optical drive outwards from the rear.
  - 2 Carefully pull the optical drive out of the chassis.

*Figure 54. Removing an optical drive*





## After you finish

1. Install one of the following:

- Another optical drive or a tape drive. See [“Install an optical drive” on page 73](#) or [“Install a tape drive” on page 134](#).

**Note:** A tape drive must be installed into the lower optical drive bay.

- The optical drive filler cover to the chassis and the optical drive filler to the front bezel.
2. If you are instructed to return the component or optional device, follow all packaging instructions, and use any packaging materials for shipping that are supplied to you.

## Demo video

[Watch the procedure on Youtube](#)

## Install an optical drive

Follow instructions in this section to install an optical drive.

## About this task

To avoid potential danger, read and follow the following safety statements.

- **S002**



### CAUTION:

The power-control button on the device and the power switch on the power supply do not turn off the electrical current supplied to the device. The device also might have more than one power cord.

To remove all electrical current from the device, ensure that all power cords are disconnected from the power source.

- **S006**



**CAUTION:**

When laser products (such as CD-ROMs, DVD drives, fiber optic devices, or transmitters) are installed, note the following:

- Do not remove the covers. Removing the covers of the laser product could result in exposure to hazardous laser radiation. There are no serviceable parts inside the device.
- Use of controls or adjustments or performance of procedures other than those specified herein might result in hazardous radiation exposure.

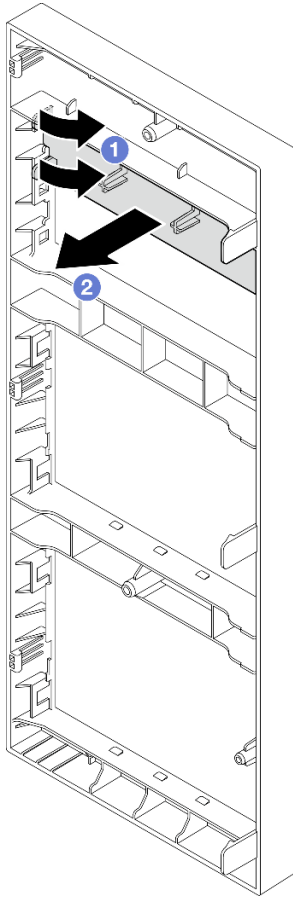
**Attention:**

- Read [“Installation Guidelines” on page 1](#) and [“Safety inspection checklist” on page 2](#) to ensure that you work safely.
- Touch the static-protective package that contains the component to any unpainted metal surface on the server; then, remove it from the package and place it on a static-protective surface.

**Procedure**

Step 1. If necessary, remove the optical drive filler from the optical drive bay.

- a. ① Press the tabs on the side of the optical drive filler of the optical drive bay.
- b. ② Remove the optical drive filler as shown.



*Figure 55. Removing the optical drive filler from the optical drive bay*

- Step 2. If necessary, insert two of your fingers into the holes in the optical drive filler cover and carefully pull the optical drive filler cover out of the chassis.

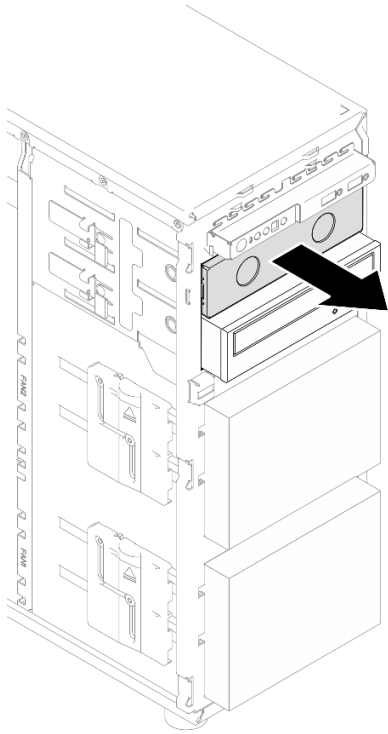


Figure 56. Removing the optical drive filler cover from the optical drive bay

Step 3. Install an optical drive.

- a. ① Gently pull the metal tab on the side of the chassis, and insert the optical drive into the optical drive bay.
- b. ② Release the tab and keep sliding the optical drive until it snaps into place.

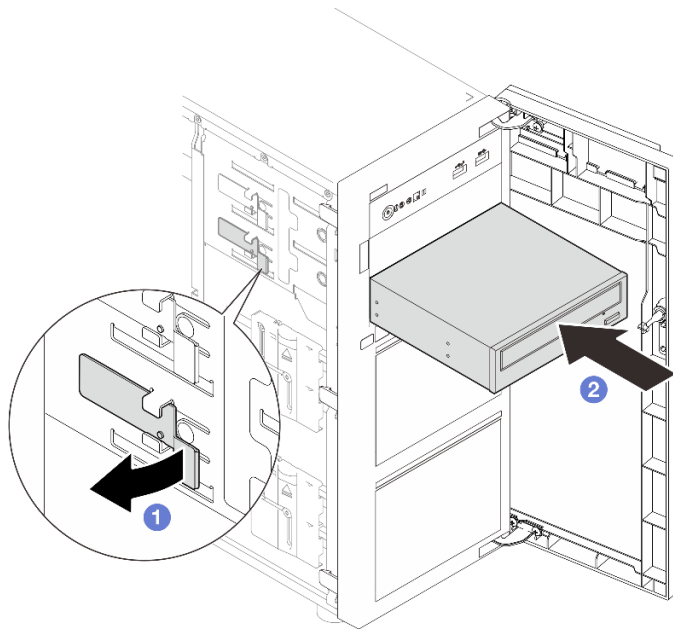


Figure 57. Installing an optical drive

- Step 4. Connect the power cable and the signal cable to the rear of the optical drive. See [“Optical/tape drives cable routing” on page 147](#).
- Step 5. Save the removed optical drive filler cover from the chassis and the optical drive filler from the front bezel for future use.

## After you finish

Complete the parts replacement. See [“Complete the parts replacement” on page 135](#).

### Demo video

[Watch the procedure on Youtube](#)

---

## PCIe adapter replacement

Follow instructions in this section to remove and install a PCIe adapter.

Your server comes with four PCIe slots. Depending on your needs, you can install a PCIe adapter to obtain the corresponding function or remove the adapter if necessary. The PCIe adapter can be an Ethernet adapter, a host bus adapter, a RAID adapter, a graphics adapter, or any other supported PCIe adapters. PCIe adapters vary by type, but the installation and removal procedures are the same.

**Note:** For a list of the supported PCIe adapters, see:  
<https://serverproven.lenovo.com>

## Remove the PCIe adapter

Follow instructions in this section to remove a PCIe adapter.

### About this task

To avoid potential danger, read and follow the following safety statements.

- **S002**



#### **CAUTION:**

**The power-control button on the device and the power switch on the power supply do not turn off the electrical current supplied to the device. The device also might have more than one power cord. To remove all electrical current from the device, ensure that all power cords are disconnected from the power source.**

#### **Attention:**

- Read [“Installation Guidelines” on page 1](#) and [“Safety inspection checklist” on page 2](#) to ensure that you work safely.
- Power off the server and peripheral devices and disconnect the power cords and all external cables. See [“Power off the server” on page 7](#).
- If the server is in a rack, remove it from the rack.
- Remove any locking device that secures the server cover, such as a Kensington lock or a padlock.

## Notes:

- Depending on the specific type, your PCIe adapter might look different from the illustration in this section.
- Use any documentation that comes with the PCIe adapter and follow those instructions in addition to the instructions in this section.

## Procedure

- Step 1. Make preparations for this task.
  - a. Remove the server cover. See [“Remove the server cover” on page 113](#).
  - b. Remove the processor and the heat sink if necessary. See [“Remove the processor” on page 99](#).
- Step 2. Lay the server on its side for easier operation.
- Step 3. Locate the PCIe adapter to be removed. If necessary, disconnect all the cables from the PCIe adapter.
- Step 4. Remove a PCIe adapter.
  - a. ① Open the retaining clip as illustrated.
  - b. ② Grasp the PCIe adapter by its edges, and carefully pull it out of the slot.

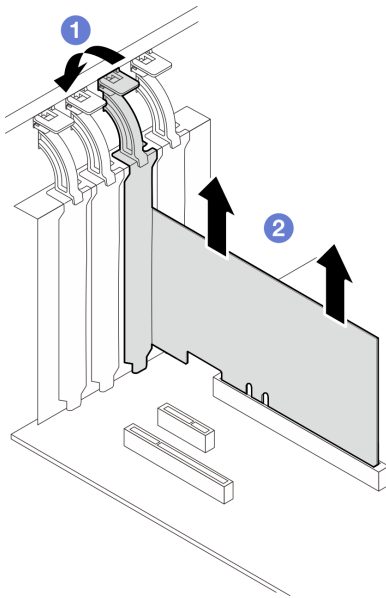


Figure 58. Removing a PCIe adapter

## After you finish

1. Install another PCIe adapter if necessary. See [“Install the PCIe adapter” on page 79](#). Otherwise, install a bracket to cover the slot.
2. If you are instructed to return the component or optional device, follow all packaging instructions, and use any packaging materials for shipping that are supplied to you.

## Demo video

[Watch the procedure on Youtube](#)

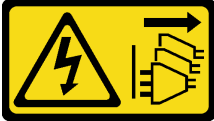
## Install the PCIe adapter

Follow instructions in this section to install a PCIe adapter.

### About this task

To avoid potential danger, read and follow the following safety statements.

- **S002**



#### CAUTION:

**The power-control button on the device and the power switch on the power supply do not turn off the electrical current supplied to the device. The device also might have more than one power cord. To remove all electrical current from the device, ensure that all power cords are disconnected from the power source.**

#### Attention:

- Read [“Installation Guidelines” on page 1](#) and [“Safety inspection checklist” on page 2](#) to ensure that you work safely.
- Use any documentation that comes with the PCIe adapter and follow those instructions in addition to the instructions in this section.
- Touch the static-protective package that contains the component to any unpainted metal surface on the server; then, remove it from the package and place it on a static-protective surface.

#### Notes:

- Depending on the specific type, your PCIe adapter might look different from the illustration in this section.
- GPU adapters can only be installed in **PCIe slot 2**. When GPU adapter is installed in PCIe slot 2, **make sure to keep PCIe slot 3 empty**.

### Procedure

- Step 1. Lay the server on its side for easier operation.
- Step 2. Locate the applicable PCIe slot. See [“Technical specifications” on page 171](#) to identify the different types of PCIe slots in your server.
- Step 3. If a bracket is installed in the PCIe slot, remove it. Save the bracket for future use.
- Step 4. Open the retaining clip, and position the PCIe adapter over the slot.
- Step 5. Install a PCIe adapter.
  - 1 Carefully press the PCIe adapter straight down until it is seated in the slot.
  - 2 Close the retaining clip to secure the PCIe adapter.

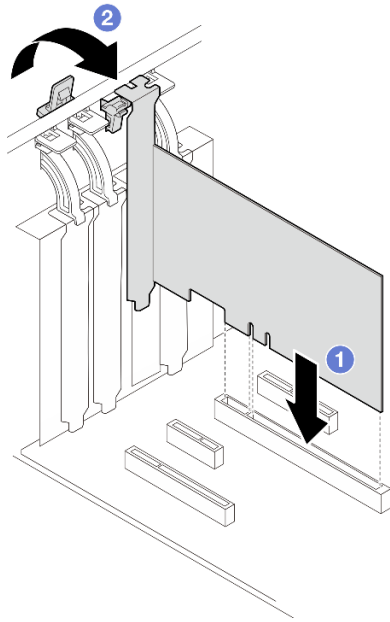


Figure 59. Installing a PCIe adapter

## After you finish

- Depending on the type of the PCIe adapter, you might need to connect any required cables.
  - After installing RAID adapters, see [Cable routing for hot-swap drives with hardware RAID](#) to complete the corresponding cable routing.
  - After installing M.2 boot adapter, see [“M.2 adapter cable routing” on page 146](#) to complete cable routing.
  - After installing the following RAID adapters, see [“Intrusion switch and RAID flash power module cable routing” on page 146](#) to complete cable routing for the RAID flash power module.
    - ThinkSystem RAID 940-8i 4GB Flash PCIe Gen4 12Gb Adapter (with flash power module)
    - ThinkSystem RAID 9350-16i 4GB Flash PCIe 12Gb Adapter (with flash power module)
    - ThinkSystem RAID 9350-8i 2GB Flash PCIe 12Gb Adapter (with flash power module)
- Complete the parts replacement. See [“Complete the parts replacement” on page 135](#).

## Demo video

[Watch the procedure on Youtube](#)

---

## Power distribution board replacement

Follow instructions in this section to remove and install the power distribution board.

### Remove the power distribution board

Follow instructions in this section to remove the power distribution board of the hot-swap redundant power supply.

### About this task

To avoid potential danger, read and follow the following safety statements.



- **S001**



 **DANGER**

**Electrical current from power, telephone, and communication cables is hazardous.  
To avoid a shock hazard:**

- **Connect all power cords to a properly wired and grounded electrical outlet/source.**
- **Connect any equipment that will be attached to this product to properly wired outlets/sources.**
- **When possible, use one hand only to connect or disconnect signal cables.**
- **Never turn on any equipment when there is evidence of fire, water, or structural damage.**
- **The device might have more than one power cord, to remove all electrical current from the device, ensure that all power cords are disconnected from the power source.**

- **S002**



**CAUTION:**

**The power-control button on the device and the power switch on the power supply do not turn off the electrical current supplied to the device. The device also might have more than one power cord. To remove all electrical current from the device, ensure that all power cords are disconnected from the power source.**

**Attention:**

- Read [“Installation Guidelines” on page 1](#) and [“Safety inspection checklist” on page 2](#) to ensure that you work safely.
- Power off the server and peripheral devices and disconnect the power cords and all external cables. See [“Power off the server” on page 7](#).
- If the server is installed in a rack, remove the server from the rack.
- Remove any locking device that secures the server cover, such as a Kensington lock or a pad lock.

**Procedure**

Step 1. Make preparations for this task.

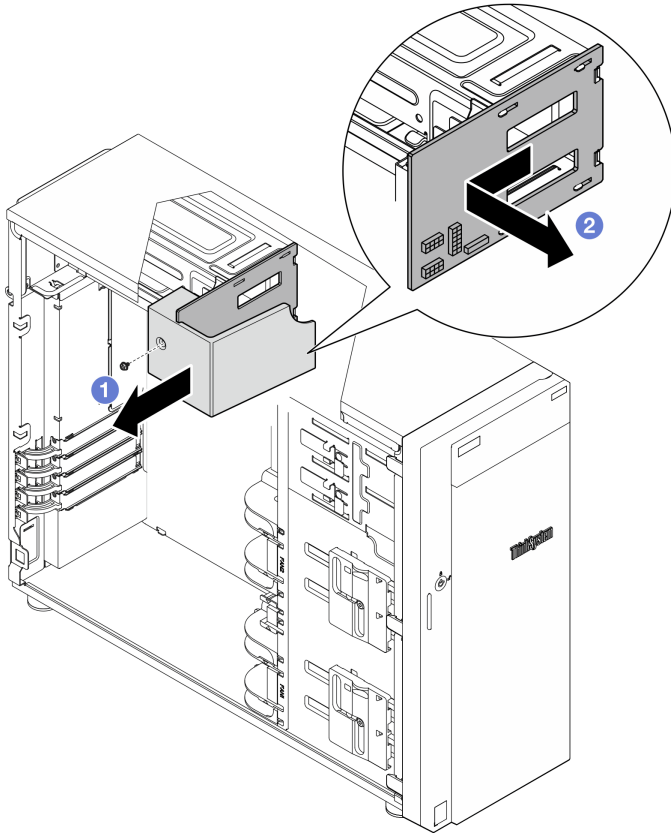
- a. Remove the server cover. See [“Remove the server cover” on page 113](#).
- b. Remove the hot-swap redundant power supply. See [“Remove the hot-swap power supply unit” on page 91](#).

Step 2. Remove the power distribution board.

- a. **1** Remove the screw that secures the power distribution board cover, and remove the cover from the chassis.
- b. **2** Pull the power distribution board out.

**Note:** Carefully handle the power distribution board by its edges.

Figure 60. Removing the power distribution board of the hot-swap power supply



Step 3. Disconnect the power cables from the power distribution board.

### After you finish

If you are instructed to return the component or optional device, follow all packaging instructions, and use any packaging materials for shipping that are supplied to you.

### Demo video

[Watch the procedure on Youtube](#)

## Install the power distribution board

Follow instructions in this section to install the power distribution board of the hot-swap redundant power supply.

### About this task

To avoid potential danger, read and follow the following safety statements.

- **S001**



 **DANGER**

Electrical current from power, telephone, and communication cables is hazardous.  
To avoid a shock hazard:

- Connect all power cords to a properly wired and grounded electrical outlet/source.
- Connect any equipment that will be attached to this product to properly wired outlets/sources.
- When possible, use one hand only to connect or disconnect signal cables.
- Never turn on any equipment when there is evidence of fire, water, or structural damage.
- The device might have more than one power cord, to remove all electrical current from the device, ensure that all power cords are disconnected from the power source.

- **S002**



**CAUTION:**

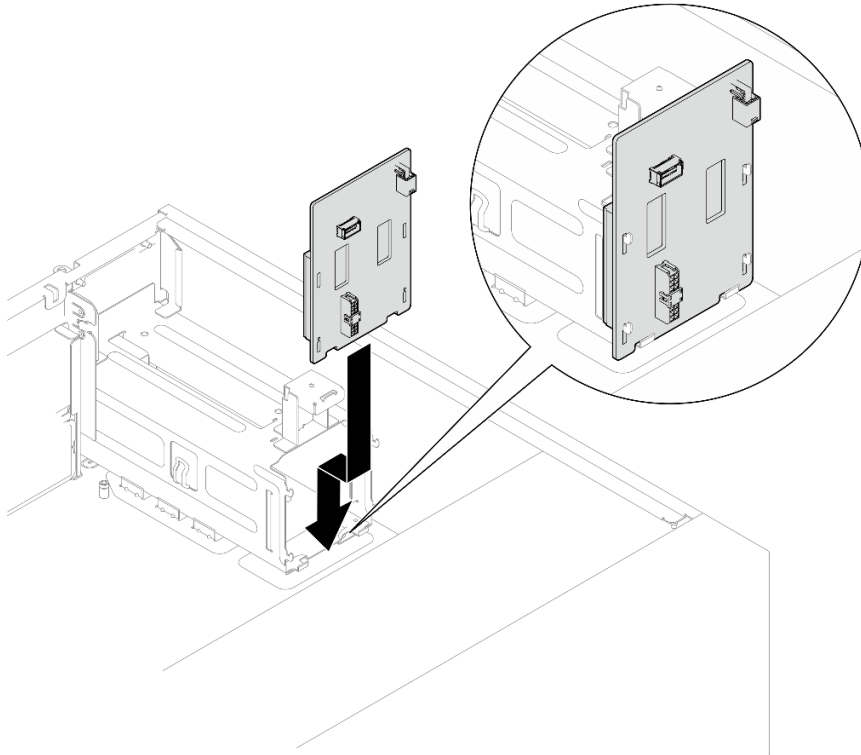
The power-control button on the device and the power switch on the power supply do not turn off the electrical current supplied to the device. The device also might have more than one power cord. To remove all electrical current from the device, ensure that all power cords are disconnected from the power source.

**Attention:**

- Read [“Installation Guidelines” on page 1](#) and [“Safety inspection checklist” on page 2](#) to ensure that you work safely.
- Touch the static-protective package that contains the component to any unpainted metal surface on the server; then, remove it from the package and place it on a static-protective surface.

**Procedure**

- Step 1. Lay the server on its side for easier operation.
- Step 2. Hold the power distribution board by its edges, and align the slots on the board with the four tabs on the power supply cage; then, slide the power distribution board toward the power supply cage until it clicks into place..



*Figure 61. Installing the power distribution board of the hot-swap power supply*

- Step 3. Connect the power cables to the power distribution board; then, properly route the cables, and secure the cables with the cable clips.
- Step 4. Align the slot on the power distribution board cover with the one on the power supply cage; then, secure the power distribution board cover with the screw.

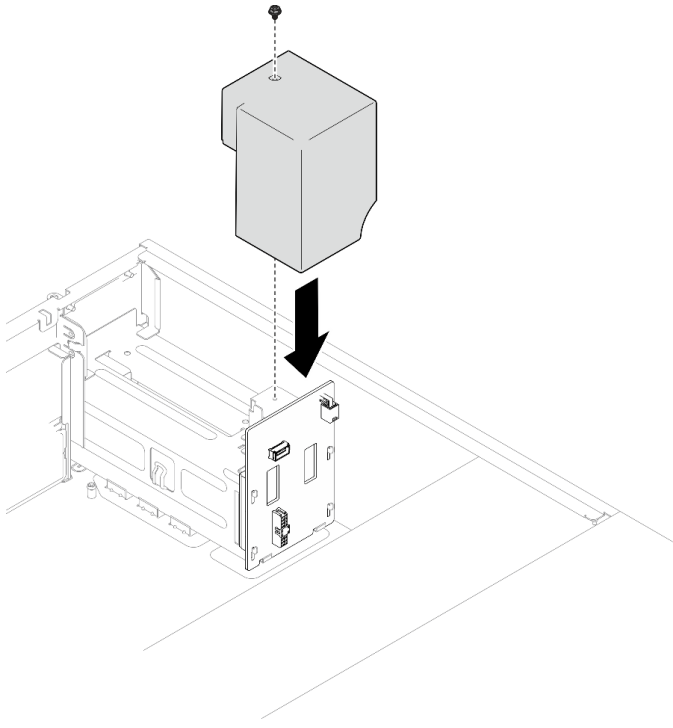


Figure 62. Installing the power distribution board cover

### After you finish

- Connect the cables to the corresponding connector on the system board. See [“Redundant power supplies cable routing” on page 150](#) for more information.
- Complete the parts replacement. See [“Complete the parts replacement” on page 135](#).

### Demo video

[Watch the procedure on Youtube](#)

---

## Power supply replacement

Follow instructions in this section to remove and install a fixed or redundant power supply unit.

### Remove the fixed power supply unit

Follow instructions in this section to remove the fixed power supply unit.

### About this task

To avoid potential danger, read and follow the following safety statements.

- **S001**



 **DANGER**

Electrical current from power, telephone, and communication cables is hazardous.  
To avoid a shock hazard:

- Connect all power cords to a properly wired and grounded electrical outlet/source.
- Connect any equipment that will be attached to this product to properly wired outlets/sources.
- When possible, use one hand only to connect or disconnect signal cables.
- Never turn on any equipment when there is evidence of fire, water, or structural damage.
- The device might have more than one power cord, to remove all electrical current from the device, ensure that all power cords are disconnected from the power source.



Figure 63. Fixed power supply label on the cover

The following tips describe the information that you must consider when you remove a power supply with dc input.

NEVER CONNECT AND DISCONNECT THE POWER SUPPLY CABLE AND EQUIPMENT WHILE YOUR EQUIPMENT IS POWERED ON WITH DC SUPPLY (hot-plugging). Otherwise you may damage the equipment and result in data loss, the damages and losses result from incorrect operation of the equipment will not be covered by the manufacturers' warranty.

• **S002**



**CAUTION:**

The power-control button on the device and the power switch on the power supply do not turn off the electrical current supplied to the device. The device also might have more than one power cord. To remove all electrical current from the device, ensure that all power cords are disconnected from the power source.

• **S035**



**CAUTION:**

Never remove the cover on a power supply or any part that has this label attached. Hazardous voltage, current, and energy levels are present inside any component that has this label attached.

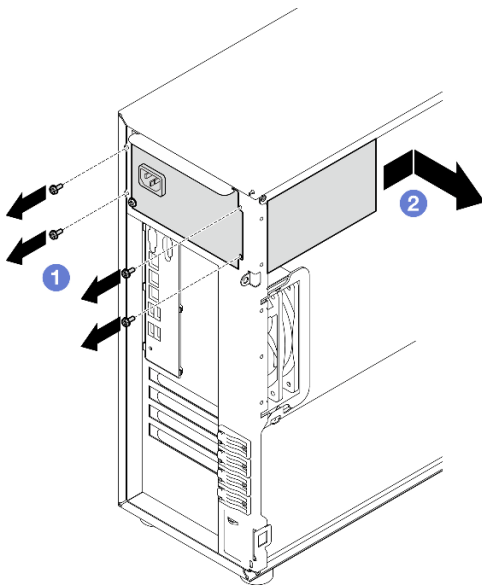
**There are no serviceable parts inside these components. If you suspect a problem with one of these parts, contact a service technician.**

**Attention:**

- Read [“Installation Guidelines” on page 1](#) and [“Safety inspection checklist” on page 2](#) to ensure that you work safely.
- Power off the server and peripheral devices and disconnect the power cords and all external cables. See [“Power off the server” on page 7](#).
- If the server is in a rack, remove it from the rack.
- Remove any locking device that secures the server cover, such as a Kensington lock or a padlock.

**Procedure**

- Step 1. Remove the server cover. See [“Remove the server cover” on page 113](#).
- Step 2. Disconnect all cables on the fixed power supply from the system board.
- Step 3. Remove a fixed power supply.
  - a. ① Remove the four screws at the rear of the chassis that secure the power supply.
  - b. ② Push the fixed power supply from the rear until it is released from the metal retaining tab, and carefully lift the power supply out of the chassis.



*Figure 64. Removing a fixed power supply*

**After you finish**

If you are instructed to return the component or optional device, follow all packaging instructions, and use any packaging materials for shipping that are supplied to you.

**Demo video**

[Watch the procedure on Youtube](#)

## Install the fixed power supply unit

Follow instructions in this section to install the fixed power supply unit.

### About this task

To avoid potential danger, read and follow the following safety statements.

- **S001**



**DANGER**

**Electrical current from power, telephone, and communication cables is hazardous.**

**To avoid a shock hazard:**

- Connect all power cords to a properly wired and grounded electrical outlet/source.
- Connect any equipment that will be attached to this product to properly wired outlets/sources.
- When possible, use one hand only to connect or disconnect signal cables.
- Never turn on any equipment when there is evidence of fire, water, or structural damage.
- The device might have more than one power cord, to remove all electrical current from the device, ensure that all power cords are disconnected from the power source.



Figure 65. Fixed power supply label on the cover

The following tips describe the information that you must consider when you install a power supply with dc input.

**NEVER CONNECT AND DISCONNECT THE POWER SUPPLY CABLE AND EQUIPMENT WHILE YOUR EQUIPMENT IS POWERED ON WITH DC SUPPLY (hot-plugging).** Otherwise you may damage the equipment and result in data loss, the damages and losses result from incorrect operation of the equipment will not be covered by the manufacturers' warranty.

- **S002**



**CAUTION:**



The power-control button on the device and the power switch on the power supply do not turn off the electrical current supplied to the device. The device also might have more than one power cord. To remove all electrical current from the device, ensure that all power cords are disconnected from the power source.

- **S035**



**CAUTION:**

Never remove the cover on a power supply or any part that has this label attached. Hazardous voltage, current, and energy levels are present inside any component that has this label attached. There are no serviceable parts inside these components. If you suspect a problem with one of these parts, contact a service technician.

**Attention:**

- Read [“Installation Guidelines” on page 1](#) and [“Safety inspection checklist” on page 2](#) to ensure that you work safely.
- Touch the static-protective package that contains the component to any unpainted metal surface on the server; then, remove it from the package and place it on a static-protective surface.

**Procedure**

Step 1. Install a fixed power supply bracket.

- a. ① Align the tabs on the fixed power supply bracket with the corresponding holes on the chassis.
- b. ② Pivot the fixed power supply bracket in until it snaps into place.

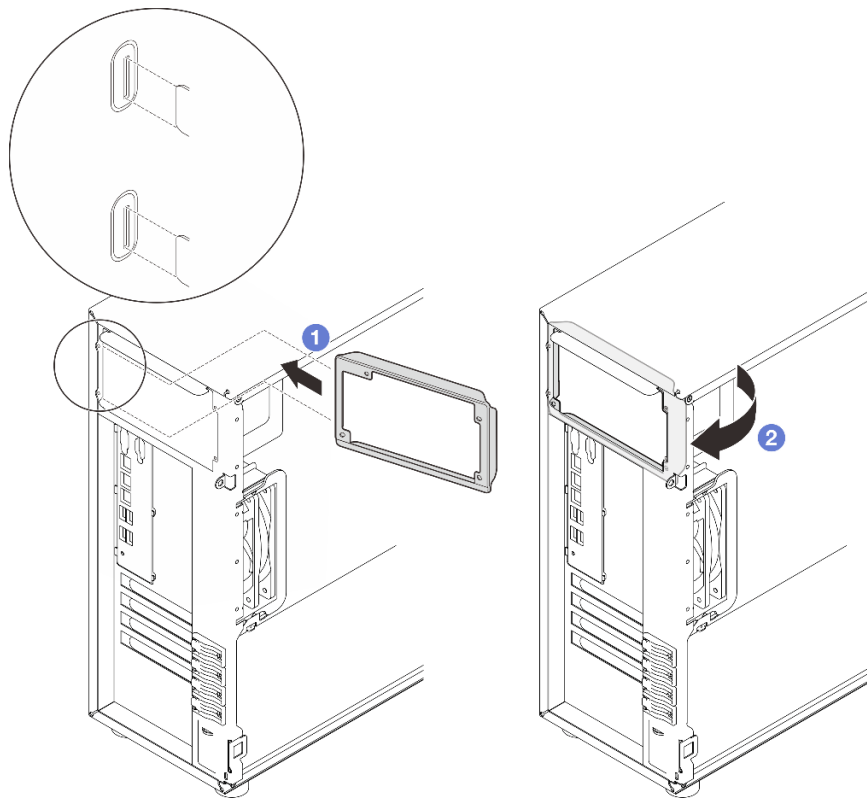


Figure 66. Installing a fixed power supply bracket

Step 2. Install a fixed power supply.

- a. 1 Slide the fixed power supply into the bay until it snaps into place. Make sure the four screw holes in the fixed power supply are aligned with the corresponding holes in the rear of the chassis.
- b. 2 Install the four screws to secure the fixed power supply in place.

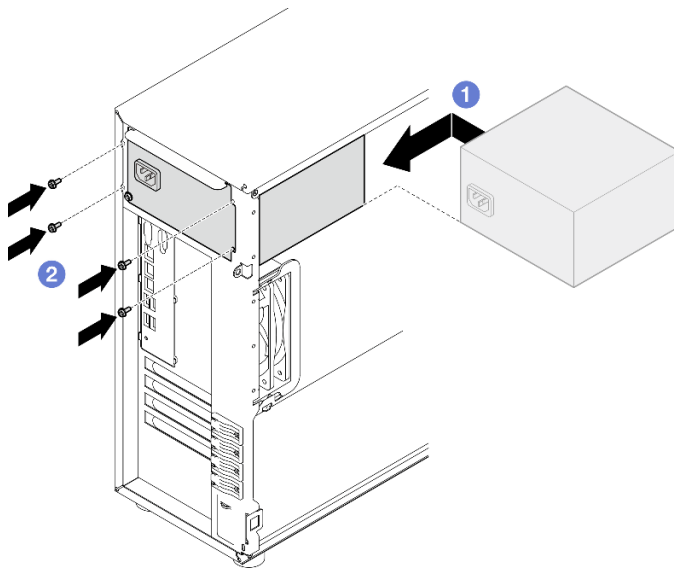


Figure 67. Installing a fixed power supply

## After you finish

1. Connect all cables on the fixed power supply to corresponding connectors on the system board. See [“Fixed power supply cable routing” on page 148](#).
2. Connect the power cable to the power supply and a properly grounded electrical outlet.
3. Complete the parts replacement. See [“Complete the parts replacement” on page 135](#).

## Demo video

[Watch the procedure on Youtube](#)

## Remove the hot-swap power supply unit

Follow instructions in this section to remove a hot-swap redundant power supply unit.

## About this task

To avoid potential danger, read and follow the following safety statements.

- **S001**



 **DANGER**

**Electrical current from power, telephone, and communication cables is hazardous.**

**To avoid a shock hazard:**

- **Connect all power cords to a properly wired and grounded electrical outlet/source.**
- **Connect any equipment that will be attached to this product to properly wired outlets/sources.**
- **When possible, use one hand only to connect or disconnect signal cables.**
- **Never turn on any equipment when there is evidence of fire, water, or structural damage.**
- **The device might have more than one power cord, to remove all electrical current from the device, ensure that all power cords are disconnected from the power source.**

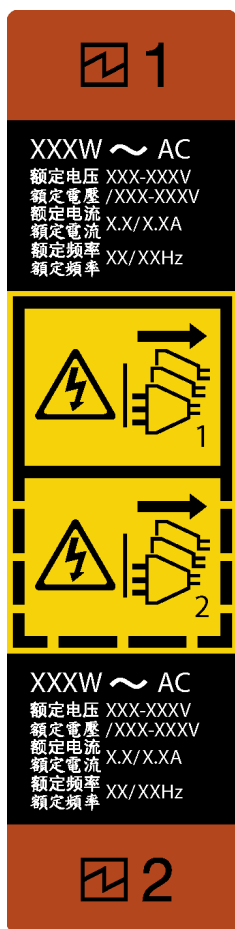
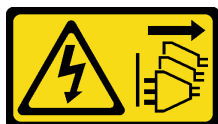


Figure 68. Hot-swap power supply label

NEVER CONNECT AND DISCONNECT THE POWER SUPPLY CABLE AND EQUIPMENT WHILE YOUR EQUIPMENT IS POWERED ON WITH DC SUPPLY (hot-plugging). Otherwise you may damage the equipment and result in data loss, the damages and losses result from incorrect operation of the equipment will not be covered by the manufacturers' warranty.

**Attention:** This type of power supply is hot-swap only when two power supplies are installed for redundancy. If only one power supply is installed, you must power off the server first before removing the power supply.

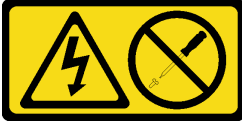
- **S002**



**CAUTION:**

The power-control button on the device and the power switch on the power supply do not turn off the electrical current supplied to the device. The device also might have more than one power cord. To remove all electrical current from the device, ensure that all power cords are disconnected from the power source.

- **S035**



**CAUTION:**

Never remove the cover on a power supply or any part that has this label attached. Hazardous voltage, current, and energy levels are present inside any component that has this label attached. There are no serviceable parts inside these components. If you suspect a problem with one of these parts, contact a service technician.

**Attention:**

- Read “[Installation Guidelines](#)” on page 1 and “[Safety inspection checklist](#)” on page 2 to ensure that you work safely.
- If the server is in a rack, pull back the cable management arm to gain access to the rear of the server and the power supply.

**Procedure**

- Step 1. Locate the hot-swap power supply in the rear of your server and disconnect the power cord from the power supply. Keep the power cord in an ESD-safe place.
- Step 2. Press the release latch in the direction as shown, and carefully pull the handle at the same time to slide the hot-swap power supply out of the chassis.

**Note:** PSU with a release tab is a hot-swap PSU. The color of the release tab does not affect the serviceability of the PSU.

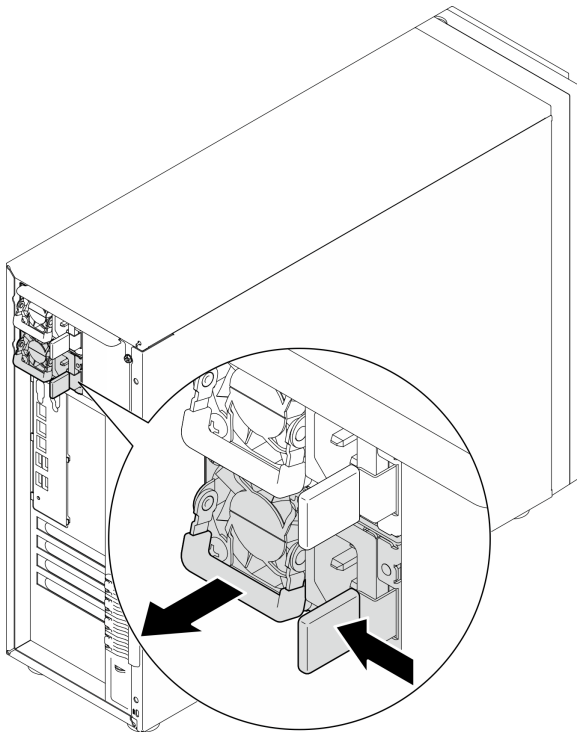


Figure 69. Removing a hot swap power supply

**After you finish**

1. Install a new power supply or install the power-supply filler to cover the power supply bay. See [“Install the hot-swap power supply unit” on page 94](#).
2. If you are instructed to return the component or optional device, follow all packaging instructions, and use any packaging materials for shipping that are supplied to you.

### Demo video

[Watch the procedure on Youtube](#)

## Install the hot-swap power supply unit

Follow instructions in this section to install the hot-swap redundant power supply unit.

### About this task

To avoid potential danger, read and follow the following safety statements.

- **S001**



**DANGER**

**Electrical current from power, telephone, and communication cables is hazardous.**

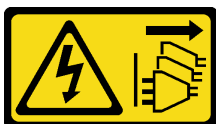
**To avoid a shock hazard:**

- **Connect all power cords to a properly wired and grounded electrical outlet/source.**
- **Connect any equipment that will be attached to this product to properly wired outlets/sources.**
- **When possible, use one hand only to connect or disconnect signal cables.**
- **Never turn on any equipment when there is evidence of fire, water, or structural damage.**
- **The device might have more than one power cord, to remove all electrical current from the device, ensure that all power cords are disconnected from the power source.**

NEVER CONNECT AND DISCONNECT THE POWER SUPPLY CABLE AND EQUIPMENT WHILE YOUR EQUIPMENT IS POWERED ON WITH DC SUPPLY (hot-plugging). Otherwise you may damage the equipment and result in data loss, the damages and losses result from incorrect operation of the equipment will not be covered by the manufacturers' warranty.

**Attention:** This type of power supply is hot-swap only when two power supplies are installed for redundancy. If only one power supply is installed, you must power off the server first before removing the power supply.

- **S002**



**CAUTION:**

The power-control button on the device and the power switch on the power supply do not turn off the electrical current supplied to the device. The device also might have more than one power cord. To remove all electrical current from the device, ensure that all power cords are disconnected from the power source.

- **S035**



**CAUTION:**

**Never remove the cover on a power supply or any part that has this label attached. Hazardous voltage, current, and energy levels are present inside any component that has this label attached. There are no serviceable parts inside these components. If you suspect a problem with one of these parts, contact a service technician.**

The following tips describe the type of power supply that the server supports and other information that you must consider when you install a power supply:

- The standard configuration comes with one power supply unit without hot-swap support. Hot-swap support and power redundancy requires two power supply units installed in the system.
- Power supply units in the chassis must have the same wattage, vendor, and part number (or alternate part number).
- If you are replacing the existing power supply with a new power supply of different wattage, attach the power information label that comes with this option onto the existing label near the power supply.

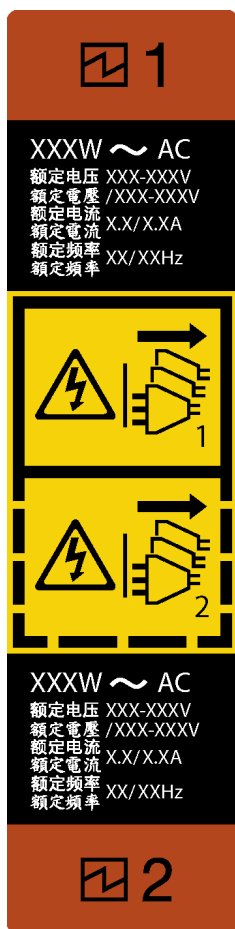


Figure 70. Hot-swap power supply label

- Ensure that the devices that you are installing are supported. For a list of supported optional devices for the server, go to:  
<https://serverproven.lenovo.com>

**Attention:**

- Read “Installation Guidelines” on page 1 and “Safety inspection checklist” on page 2 to ensure that you work safely.
- Touch the static-protective package that contains the component to any unpainted metal surface on the server; then, remove it from the package and place it on a static-protective surface.

**Procedure**

Step 1. Make preparations for this task.

- Make sure that the power supply unit to be installed is the same as the installed ones. Otherwise, remove all existing power supply units and replace them all with the same power supply units.

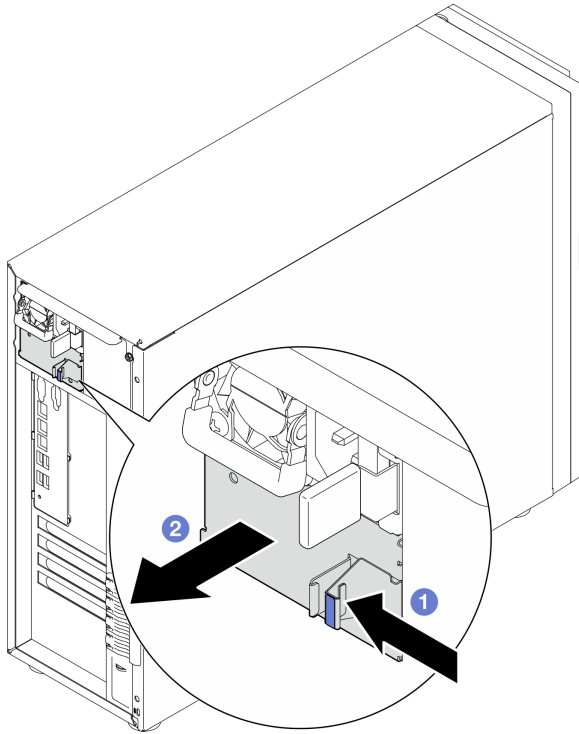
**Notes:**

- Power supply units in the chassis must have the same wattage, vendor, and part number (or alternate part number).
- PSU with a release tab is a hot-swap PSU. The color of the release tab does not affect the serviceability of the PSU.



- b. If there is a PSU filler installed, perform the following steps:
- 1 Press the latch on the PSU filler.
  - 2 Pull the filler out of the PSU slot.

**Important:** During normal operation, each power supply bay must contain either a power supply or power supply filler for proper cooling.



*Figure 71. Removing a hot-swap power supply filler*

Step 2. Make sure the label on the power supply is facing up and the release latch is on the right side as illustrated below, and then slide it into the chassis until it snaps into place.

**Notes:**

- If more than one power supply units are to be installed, start with the upper available power supply bay.

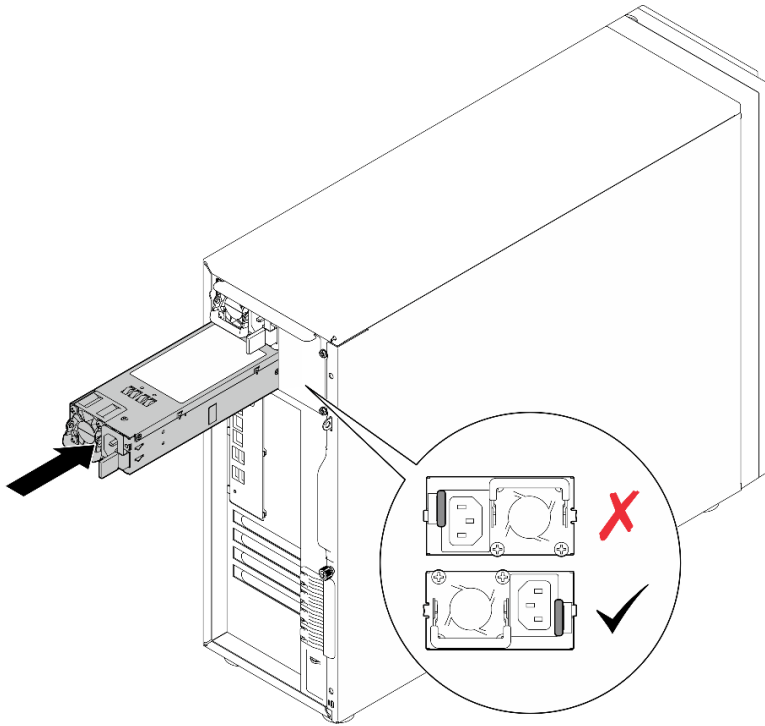


Figure 72. Installing a hot-swap power supply

### After you finish

1. Connect the power cable to the power supply and a properly grounded electrical outlet.
2. Complete the parts replacement. See [“Complete the parts replacement” on page 135.](#)

### Demo video

[Watch the procedure on Youtube](#)

---

## Processor replacement

Follow instructions in this section to remove and install a processor.

**Attention:** Before reusing a processor or heat sink, make sure you use Lenovo proven alcohol cleaning pad and thermal grease.

**Important:** The processor in your server can throttle, temporarily lowering speed to reduce heat output, in response to thermal conditions. In instances where the throttling period is of extremely short duration (100 ms or less), the only indication will be an entry in the event log. In these instances the event can be ignored and processor replacement is not required.

## Remove the processor

Follow instructions in this section to remove the processor. This procedure must be executed by a trained technician.

### About this task

To avoid potential danger, read and follow the following safety statements.

- **S002**



#### CAUTION:

The power-control button on the device and the power switch on the power supply do not turn off the electrical current supplied to the device. The device also might have more than one power cord. To remove all electrical current from the device, ensure that all power cords are disconnected from the power source.

#### Attention:

- Read [“Installation Guidelines” on page 1](#) and [“Safety inspection checklist” on page 2](#) to ensure that you work safely.
- Power off the server and peripheral devices and disconnect the power cords and all external cables. See [“Power off the server” on page 7](#).
- If the server is in a rack, remove it from the rack.
- Remove any locking device that secures the server cover, such as a Kensington lock or a padlock.

## Procedure

Step 1. Make preparations for this task.

- a. Remove the server cover. See [“Remove the server cover” on page 113](#).
- b. Remove the heat sink and fan module if necessary. See [“Remove the heat sink and fan module” on page 49](#).

Step 2. Remove the processor.

- a. ① Gently pull the handle away from the processor retainer.
- b. ② Lift the handle.
- c. ③ Lift the processor retainer to the fully open position as illustrated.

- d. 3 Hold the processor by both sides and gently lift it away from the processor socket.

**Notes:**

1. Do not touch the gold contacts on the bottom of the processor.
2. Keep the processor socket clean from any object to prevent possible damages.

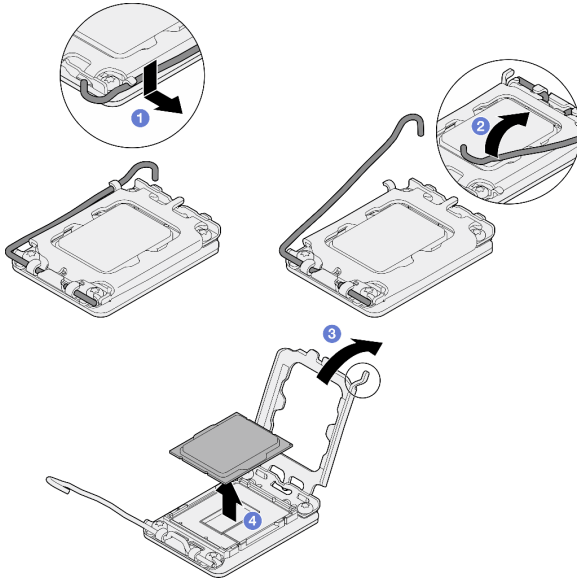


Figure 73. Opening the processor retainer

**After you finish**

1. Install a replacement unit. See “[Install the processor](#)” on page 100.
2. If you are instructed to return the component or optional device, follow all packaging instructions, and use any packaging materials for shipping that are supplied to you.

**Demo video**

[Watch the procedure on Youtube](#)

**Install the processor**

Follow instructions in this section to install the processor. This procedure must be executed by a trained technician.

**About this task**

To avoid potential danger, read and follow the following safety statements.

- **S002**



**CAUTION:**

**The power-control button on the device and the power switch on the power supply do not turn off the electrical current supplied to the device. The device also might have more than one power cord. To remove all electrical current from the device, ensure that all power cords are disconnected from the power source.**

**Attention:**

- Read “[Installation Guidelines](#)” on page 1 and “[Safety inspection checklist](#)” on page 2 to ensure that you work safely.
- Before reusing a processor that was removed from another system board, wipe the thermal grease from the processor with an alcohol cleaning pad, and dispose of the cleaning pad after all of the thermal grease is removed.

**Note:** If you are applying new thermal grease on the top of the processor, make sure to do it after the alcohol has fully evaporated.

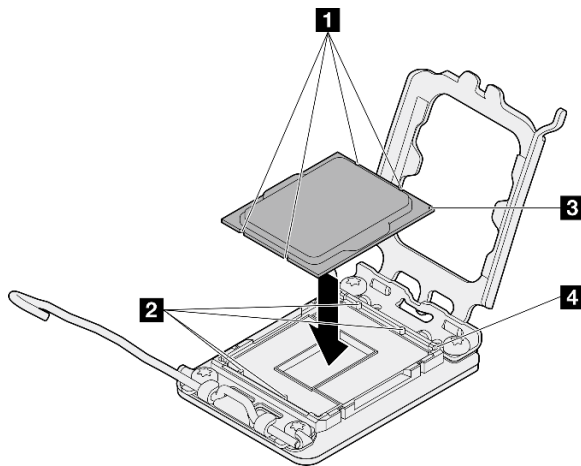
- Touch the static-protective package that contains the component to any unpainted metal surface on the server; then, remove it from the package and place it on a static-protective surface.

**Procedure**

Step 1. Hold the processor by both sides, and align the following:

1. Align **1** the small notches on the processor to **2** the tabs on the socket.
2. Align **3** the small triangle of the processor to **4** the beveled corner on the socket.

Then, gently lower the processor evenly into the socket.



*Figure 74. Installing the processor*

Step 2. Close the processor retainer, and push the handle to the locked position.

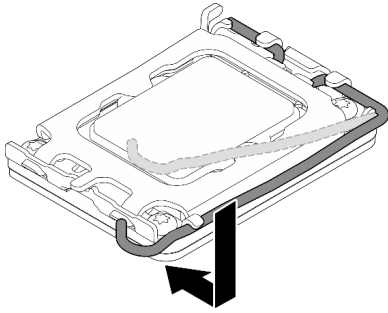


Figure 75. Closing the processor retainer

- Step 3. Apply the thermal grease on the top of the processor with syringe by forming four uniformly spaced dots, while each dot consists of about 0.1 ml of thermal grease.

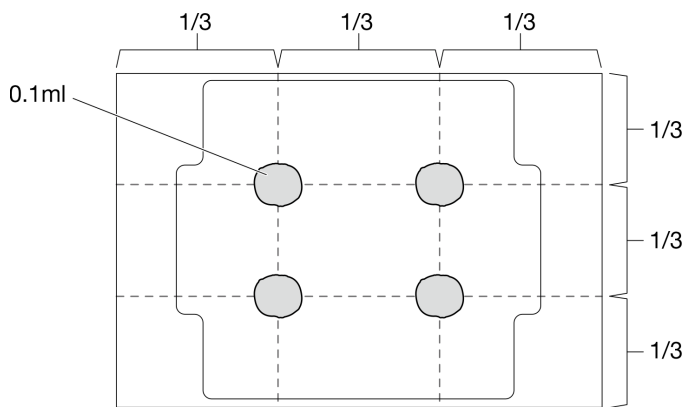


Figure 76. Proper shape of the thermal grease

### After you finish

1. Reinstall the heat sink and fan assembly. See [“Install the heat sink and the fan module” on page 51](#).
2. Complete the parts replacement. See [“Complete the parts replacement” on page 135](#).

### Demo video

[Watch the procedure on Youtube](#)

---

## RAID flash power module replacement

Follow instructions in this section to remove and install the RAID flash power module (supercap).

**Note:** This topic applies only to server models that have RAID flash power modules installed.

The RAID flash power module protects the cache memory on the installed RAID adapter. You can purchase a RAID flash power module from Lenovo.

For a list of supported options, see:  
<https://serverproven.lenovo.com>

### Remove a RAID flash power module

Follow instructions in this section to remove a RAID flash power module (supercap).

## About this task

To avoid potential danger, read and follow the following safety statements.

- **S002**



### CAUTION:

The power-control button on the device and the power switch on the power supply do not turn off the electrical current supplied to the device. The device also might have more than one power cord. To remove all electrical current from the device, ensure that all power cords are disconnected from the power source.

### Attention:

- Read [“Installation Guidelines” on page 1](#) and [“Safety inspection checklist” on page 2](#) to ensure that you work safely.
- Power off the server and peripheral devices and disconnect the power cords and all external cables. See [“Power off the server” on page 7](#).
- If the server is in a rack, remove it from the rack.
- Remove any locking device that secures the server cover, such as a Kensington lock or a padlock.

## Procedure

- Step 1. Remove the server cover. See [“Remove the server cover” on page 113](#).
- Step 2. Disconnect the cable of the RAID flash power module from the RAID card.
- Step 3. Remove the RAID flash power module and bracket assembly from the chassis.

**Note:** Your RAID flash power module might look slightly different from those shown in the illustrations.

- 1 Press the tab on the RAID flash power module bracket.
- 2 Remove the RAID flash power module and bracket assembly from the chassis.

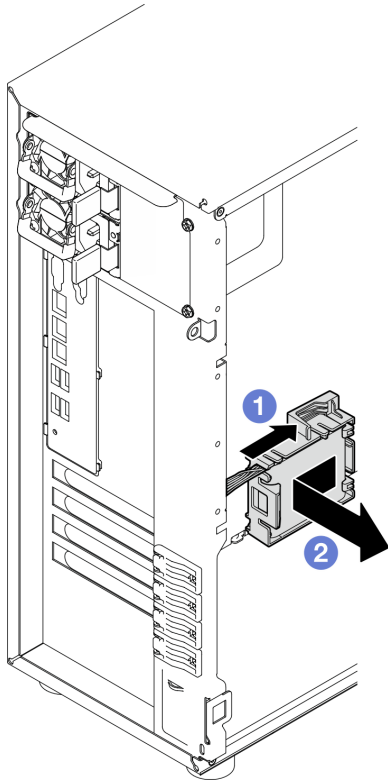


Figure 77. Removing the RAID flash power module and bracket assembly from the chassis

- Step 4. Remove the RAID flash power module from the bracket.
- 1 Gently pull the tab on the bracket.
  - 2 Remove the module from the bracket.

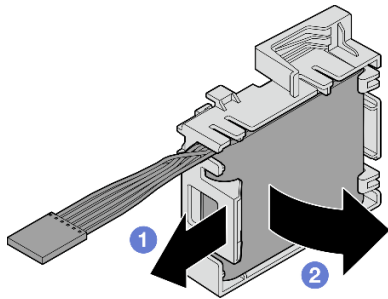


Figure 78. Removing the RAID flash power module from the bracket

## After you finish

If you are instructed to return the component or optional device, follow all packaging instructions, and use any packaging materials for shipping that are supplied to you.

## Demo video

[Watch the procedure on Youtube](#)



## Install a RAID flash power module

Follow instructions in this section to install a RAID flash power module (supercap).

### About this task

To avoid potential danger, read and follow the following safety statements.

- **S002**



#### CAUTION:

The power-control button on the device and the power switch on the power supply do not turn off the electrical current supplied to the device. The device also might have more than one power cord. To remove all electrical current from the device, ensure that all power cords are disconnected from the power source.

#### Attention:

- Read “[Installation Guidelines](#)” on page 1 and “[Safety inspection checklist](#)” on page 2 to ensure that you work safely.
- Touch the static-protective package that contains the component to any unpainted metal surface on the server; then, remove it from the package and place it on a static-protective surface.

### Procedure

**Note:** Your RAID flash power module might look slightly different from those shown in the illustrations.

Step 1. Install the RAID flash power module into the bracket.

- 1 Align the RAID flash power module with the bracket.
- 2 Rotate the other end of the module inward until it is secured in the bracket.

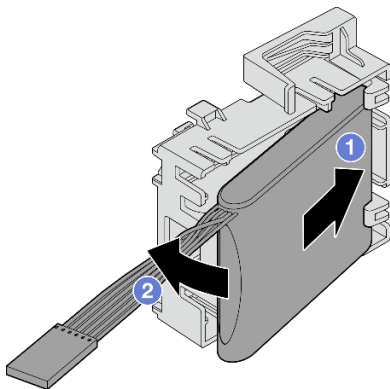


Figure 79. Installing the RAID flash power module into the bracket

Step 2. Position the RAID flash power module and bracket assembly onto the chassis, where the tabs on the bracket pass through the corresponding holes on the chassis. Move the assembly as shown until it is secured on the chassis.

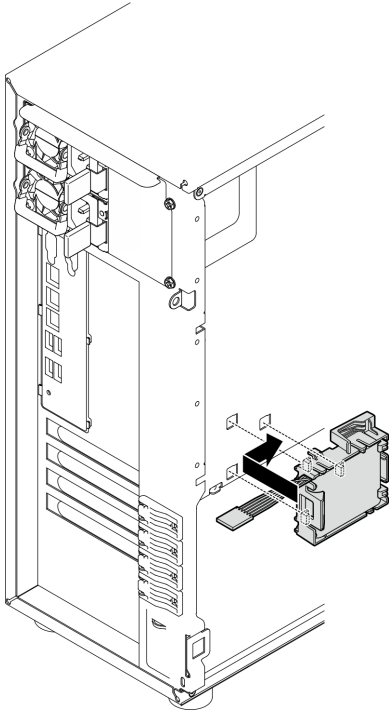
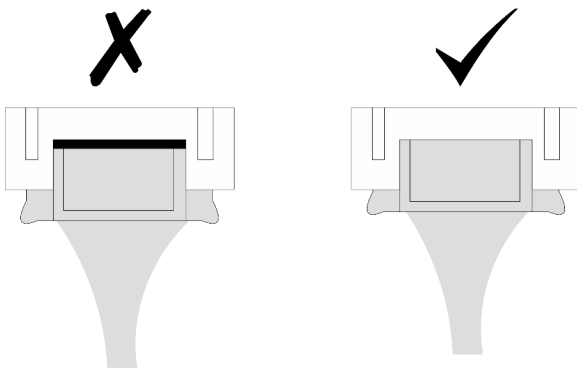


Figure 80. Installing the RAID flash power module and bracket assembly onto the chassis

Step 3. Connect the RAID flash power module cable to the RAID adapter. See [“Intrusion switch and RAID flash power module cable routing”](#) on page 146 for more information on the internal cable routing.

**Notes:** Make sure that the RAID flash power module cable connector is fully seated in place as illustrated when being plugged into the connector on the following RAID adapters:

- ThinkSystem RAID 940-8i 4GB Flash PCIe Gen4 12Gb Adapter (with flash power module)
- ThinkSystem RAID 9350-8i 2GB Flash PCIe 12Gb Adapter (with flash power module)
- ThinkSystem RAID 9350-16i 4GB Flash PCIe 12Gb Adapter (with flash power module)



## After you finish

Complete the parts replacement. See [“Complete the parts replacement”](#) on page 135.

## Demo video

[Watch the procedure on Youtube](#)

---

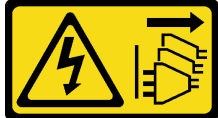
## Server replacement

Follow instructions in this section to remove and install the server.

### Remove the server from rack

Follow instructions in this section to remove ST250 V3 from the rack.

#### S002



#### **CAUTION:**

The power-control button on the device and the power switch on the power supply do not turn off the electrical current supplied to the device. The device also might have more than one power cord. To remove all electrical current from the device, ensure that all power cords are disconnected from the power source.

#### **About this task**

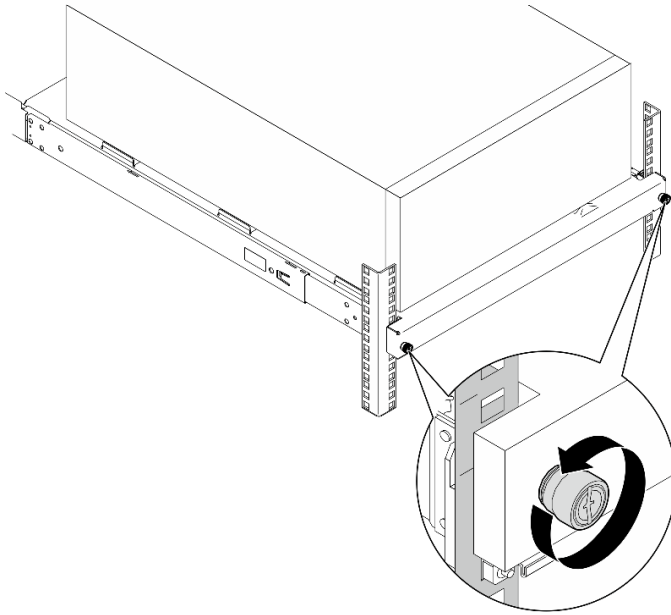
##### **Attention:**

- Read [“Installation Guidelines” on page 1](#) and [“Safety inspection checklist” on page 2](#) to ensure that you work safely.
- Power off the server and peripheral devices and disconnect the power cords and all external cables. See [“Power off the server” on page 7](#).

#### **Procedure**

**Note:** Your system might look slightly different from those shown in the illustrations.

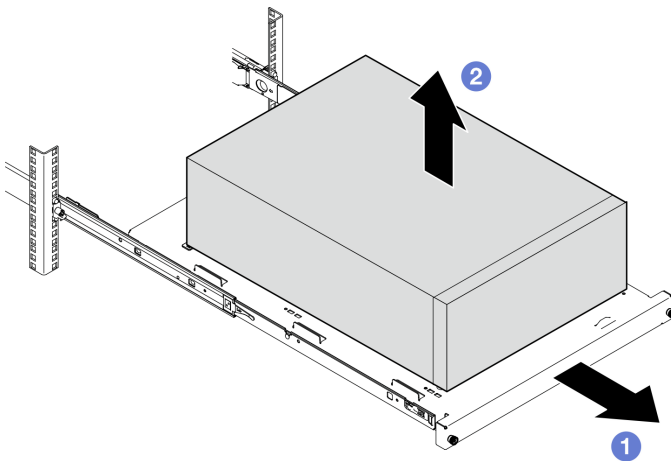
Step 1. Remove the two M6 x 16 screws on the front of the rack cabinet.



- Step 2. Remove the server from the rails.
- a. 1 Slide and pull the rack server tray out of the rack cabinet.
  - b. 2 Lift the server out of the tray.



**CAUTION:**  
Use safe practices when lifting the server.



### After you finish

1. Place the server on its side with the cover up.
2. To install the server to the rails, see [“Install the server to rack” on page 109.](#)

### Demo video

[Watch the procedure on Youtube](#)

## Install the server to rack

Follow instructions in this section to install ST250 V3 to the rack.

### S002



#### **CAUTION:**

The power-control button on the device and the power switch on the power supply do not turn off the electrical current supplied to the device. The device also might have more than one power cord. To remove all electrical current from the device, ensure that all power cords are disconnected from the power source.

### About this task

#### **Attention:**

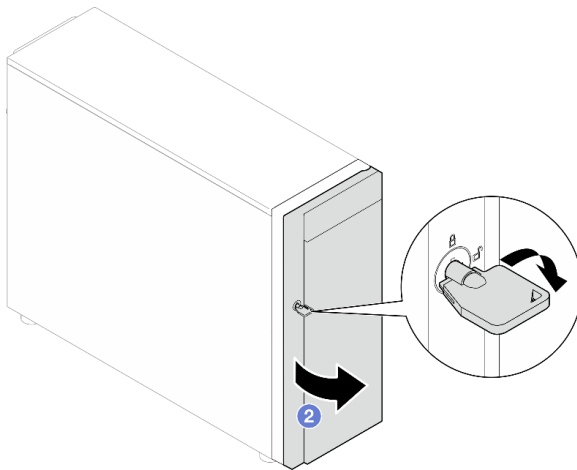
- Read [“Installation Guidelines” on page 1](#) and [“Safety inspection checklist” on page 2](#) to ensure that you work safely.
- Power off the server and peripheral devices and disconnect the power cords and all external cables. See [“Power off the server” on page 7](#).

### Procedure

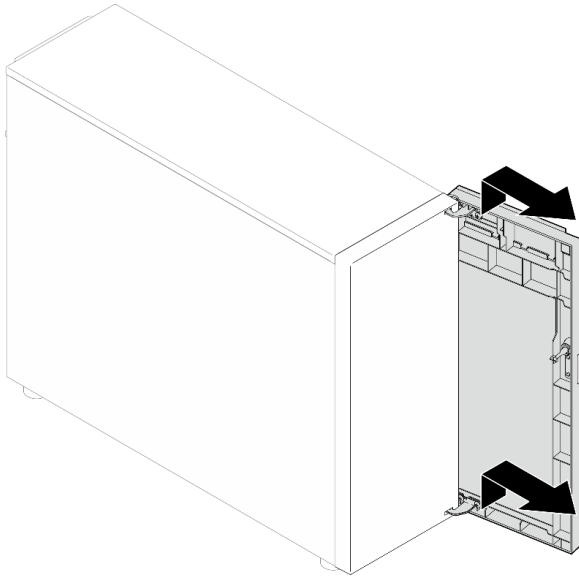
**Note:** Your system might look slightly different from those shown in the illustrations.

Step 1. Unlock ST250 V3 front door.

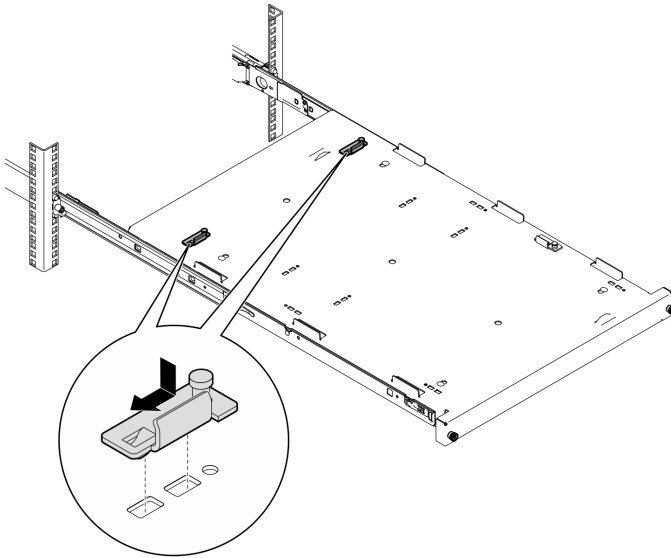
- 1 Slide and push the key into the corresponding hole on the front door and turn it clockwise to unlock the door.
- 2 Open the front door.



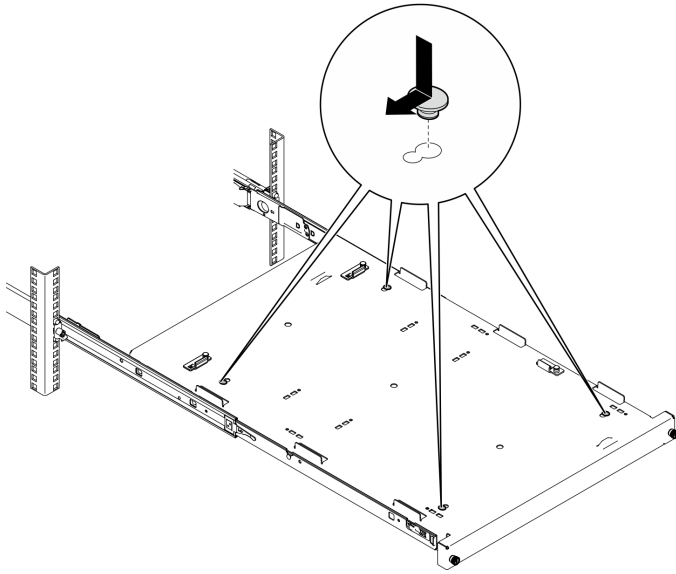
Step 2. Lift the front door to detach the hinge, and remove it from the server.



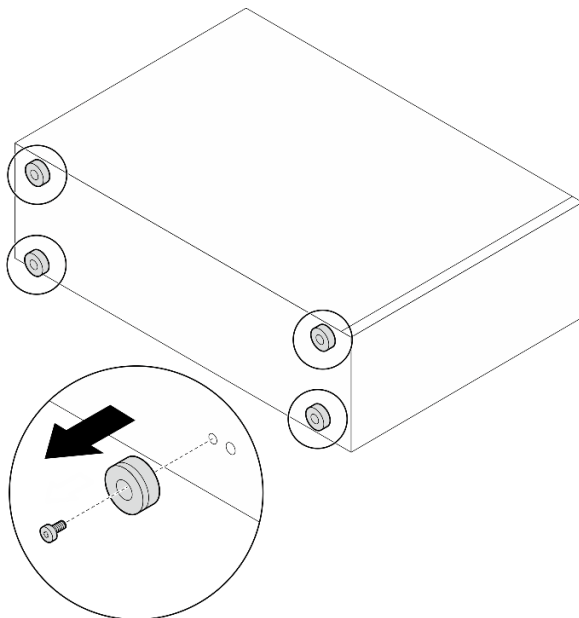
Step 3. Install the two brackets as illustrated.



Step 4. Install the four rubber safety pads as illustrated.



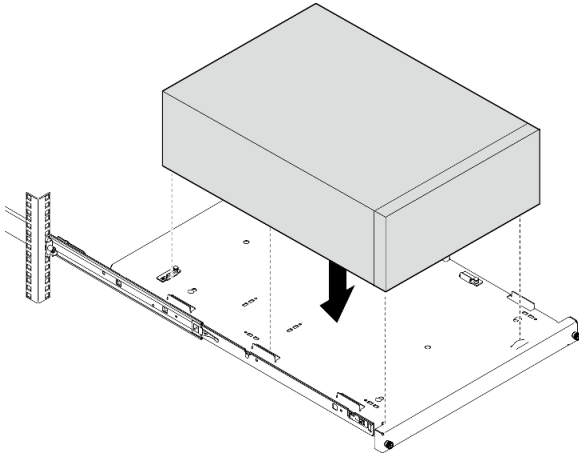
Step 5. Remove the four screws and feet from the server.



Step 6. Align the server with the brackets and the tab on the front of the tray; then, gently place the server on the tray.



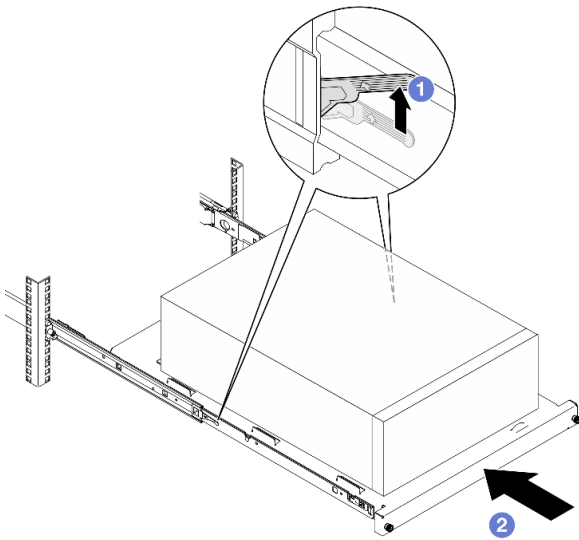
**CAUTION:**  
Use safe practices when lifting the server.



- Step 7. Install the server into the rack cabinet.
- a. ① Lift the rail latches on both sides.
  - b. ② Gently slide and push the tray into the rack cabinet.

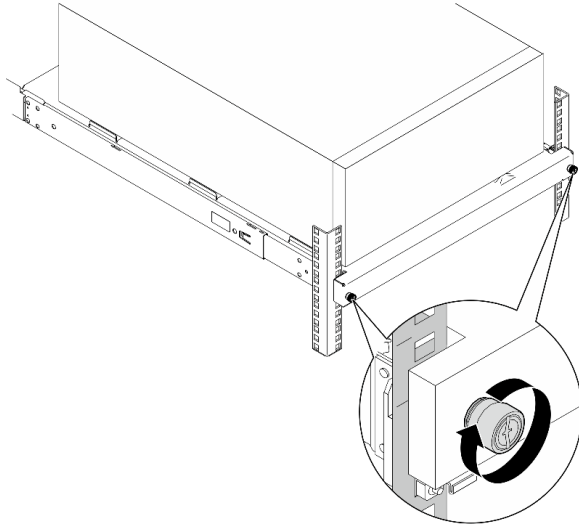
**CAUTION:**

To avoid hurting yourself, keep your hands from the latch area when the latches approach the outer rail.



- Step 8. Secure the tray with two M6 x 16 screws to the front of the rack cabinet.





## After you finish

1. Complete the parts replacement. See [“Complete the parts replacement” on page 135](#).

### Demo video

[Watch the procedure on Youtube](#)

---

## Server cover replacement

Follow instructions in this section to remove and install the top cover.

### Remove the server cover

Follow instructions in this section to remove the top cover.

### About this task

To avoid potential danger, read and follow the following safety statements.

- S002



#### CAUTION:

The power-control button on the device and the power switch on the power supply do not turn off the electrical current supplied to the device. The device also might have more than one power cord. To remove all electrical current from the device, ensure that all power cords are disconnected from the power source.

- S014



**CAUTION:**

Hazardous voltage, current, and energy levels might be present. Only a qualified service technician is authorized to remove the covers where the label is attached.

- **S033**



**CAUTION:**

Hazardous energy present. Voltages with hazardous energy might cause heating when shorted with metal, which might result in spattered metal, burns, or both.

**Attention:**

- Read [“Installation Guidelines” on page 1](#) and [“Safety inspection checklist” on page 2](#) to ensure that you work safely.
- Power off the server and peripheral devices and disconnect the power cords and all external cables. See [“Power off the server” on page 7](#).
- If the server is installed in a rack, slide the server out on its rack slide rails to gain access to the top cover, or remove the server from the rack. See [“Remove the server from rack” on page 107](#).
- Remove any locking device that secures the server cover, such as a Kensington lock or a pad lock.

**Procedure**

Step 1. Remove the server cover.

- a. ① Loosen the thumbscrew that secures the server cover with a screwdriver.

**Note:** The thumbscrew is an integrated part of the server cover. Do not try to remove it from the server cover.

- b. ② Slide the server cover towards the rear of the server until the server cover is disengaged from the chassis.
- c. ③ Pivot the server cover outwards and remove it from the chassis. Place the cover on a flat clean surface.

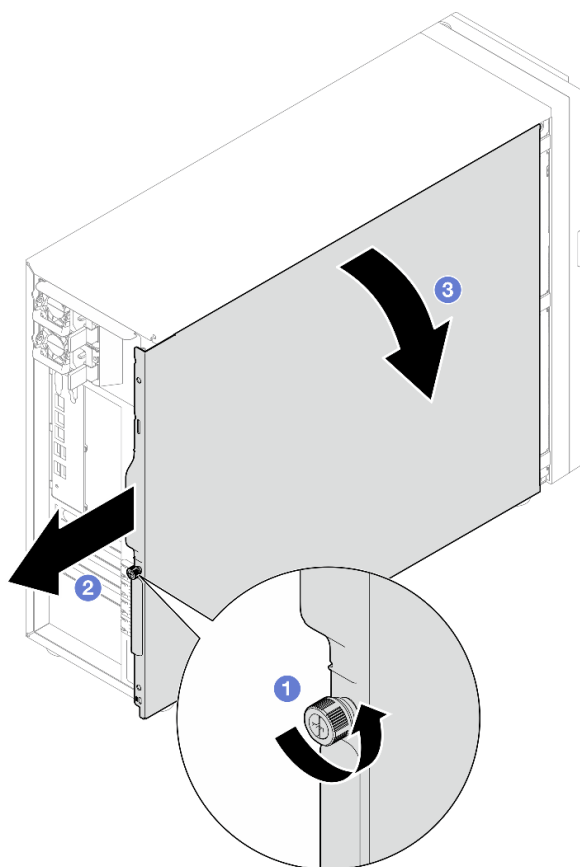


Figure 81. Removing the server cover

**Attention:** For proper cooling, always install the server cover before powering on the server. Operating the server without the cover properly installed might result in server component damage.

## After you finish

If you are instructed to return the component or optional device, follow all packaging instructions, and use any packaging materials for shipping that are supplied to you.

## Demo video

[Watch the procedure on Youtube](#)

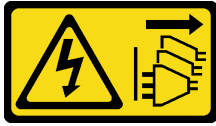
## Install the server cover

Follow instructions in this section to install the top cover.

## About this task

To avoid potential danger, read and follow the following safety statements.

- **S002**



**CAUTION:**

The power-control button on the device and the power switch on the power supply do not turn off the electrical current supplied to the device. The device also might have more than one power cord. To remove all electrical current from the device, ensure that all power cords are disconnected from the power source.

- **S014**



**CAUTION:**

Hazardous voltage, current, and energy levels might be present. Only a qualified service technician is authorized to remove the covers where the label is attached.

- **S033**



**CAUTION:**

Hazardous energy present. Voltages with hazardous energy might cause heating when shorted with metal, which might result in spattered metal, burns, or both.

**Attention:**

- Read [“Installation Guidelines” on page 1](#) and [“Safety inspection checklist” on page 2](#) to ensure that you work safely.
- Ensure that all adapters and other components are installed and seated correctly and that you have not left loose tools or parts inside the server.
- Ensure that all internal cables are correctly routed. See [Chapter 2 “Internal cable routing” on page 137](#).
- If you are installing a new server cover, attach the service label to the inside of the new server cover first if necessary.

**Note:** A new server cover comes without a service label attached. If you need a service label, order it together with the new server cover. The service label is free of charge.

## Procedure

- Step 1. Install the server cover.
- 1 Align the tabs on the server cover with the corresponding slots on the top edge of the chassis.
  - 2 Pivot the server cover to close it.

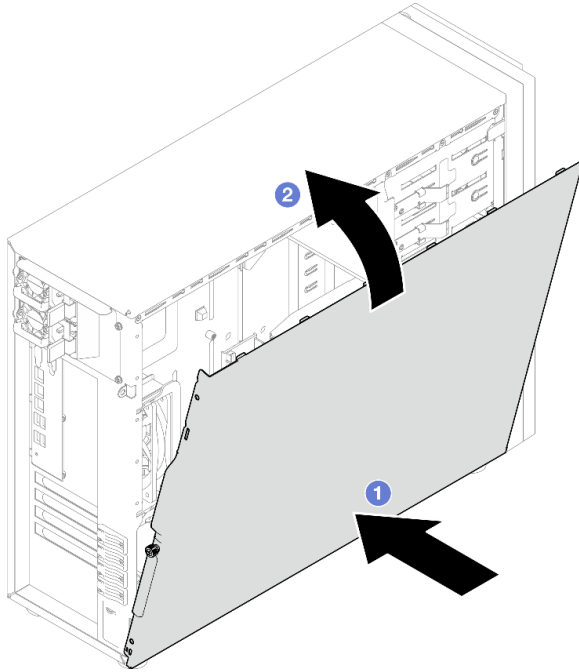


Figure 82. Positioning the server cover onto the chassis

**Note:** Before sliding the cover forward, ensure that all the tabs on the cover align to the slots and engage the chassis properly.

Step 2. Secure the server cover to the chassis.

- a. ① Slide the server cover towards the front of the chassis until it stops.
- b. ② Tighten the thumbscrew with a screwdriver to secure the server cover.

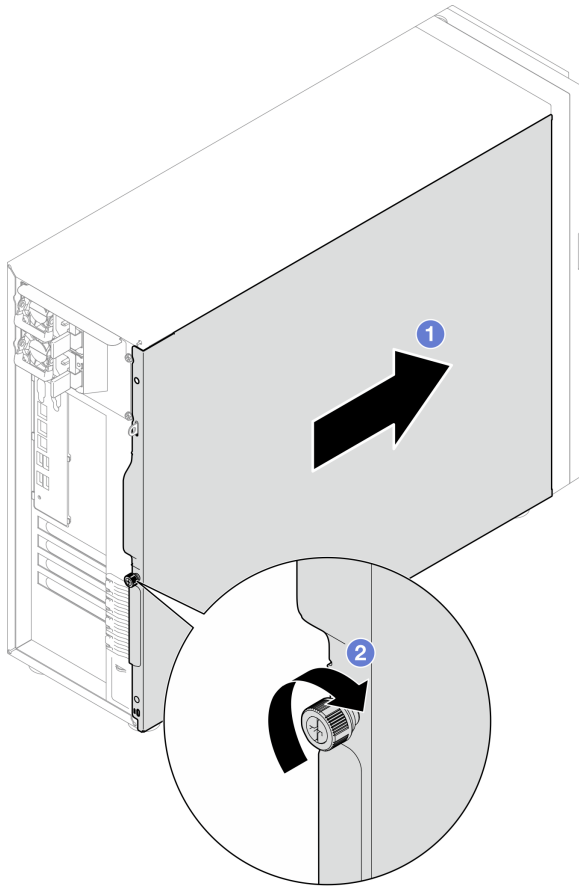


Figure 83. Securing the server cover to the chassis

### After you finish

Complete the parts replacement. See [“Complete the parts replacement”](#) on page 135.

### Demo video

[Watch the procedure on Youtube](#)

---

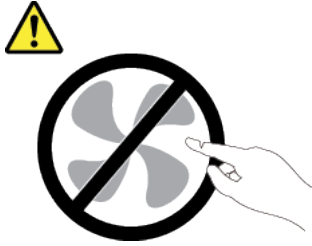
## System board replacement (trained technician only)

Follow instructions in this section to remove and install the system board.

**Important:** This task must be operated by trained technicians.

### CAUTION:

**Hazardous moving parts. Keep fingers and other body parts away.**



**CAUTION:**



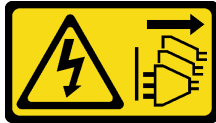
The heat sinks and processors might be very hot. Turn off the server and wait several minutes to let the server cool before removing the server cover.

## Remove the firmware and RoT security module

Follow instructions in this section to remove the ThinkSystem V3 Firmware and Root of Trust Security Module (firmware and RoT security module).

### About this task

#### S002



**CAUTION:**

The power-control button on the device and the power switch on the power supply do not turn off the electrical current supplied to the device. The device also might have more than one power cord. To remove all electrical current from the device, ensure that all power cords are disconnected from the power source.

**Important:** This task must be operated by trained technicians that are certified by Lenovo Service. Do not attempt to remove or install the part without proper training and qualification.

**Attention:**

- Read [“Installation Guidelines” on page 1](#) and [“Safety inspection checklist” on page 2](#) to ensure that you work safely.
- Power off the server and peripheral devices and disconnect the power cords and all external cables. See [“Power off the server” on page 7](#).
- Prevent exposure to static electricity, which might lead to system halt and loss of data, by keeping static-sensitive components in their static-protective packages until installation, and handling these devices with an electrostatic-discharge wrist strap or other grounding system.
- After replacing the firmware and RoT security module, update the firmware to the specific version supported by the server. Make sure that you have the required firmware or a copy of the pre-existing firmware before you proceed.
- If the server is installed in a rack, slide the server out on its rack slide rails to gain access to the top cover, or remove the server from the rack. See [“Remove the server from rack” on page 107](#).

## Procedure

Step 1. Make preparation for this task.

- a. Perform OneCLI commands to back up the UEFI settings. See [https://pubs.lenovo.com/lxce-onecli/onecli\\_r\\_save\\_command](https://pubs.lenovo.com/lxce-onecli/onecli_r_save_command).
- b. Perform both OneCLI commands and XCC actions to back up the XCC settings. See [https://pubs.lenovo.com/lxce-onecli/onecli\\_r\\_save\\_command](https://pubs.lenovo.com/lxce-onecli/onecli_r_save_command) and [https://pubs.lenovo.com/xcc2/NN1ia\\_c\\_backupthexcc.html](https://pubs.lenovo.com/xcc2/NN1ia_c_backupthexcc.html).
- c. Remove the server cover. See “Remove the server cover” on page 113.
- d. If necessary, remove the PCIe adapters. See “Remove the PCIe adapter” on page 77.

Step 2. Remove the two screws that secure the Firmware and RoT security module to the system board, and remove the module.

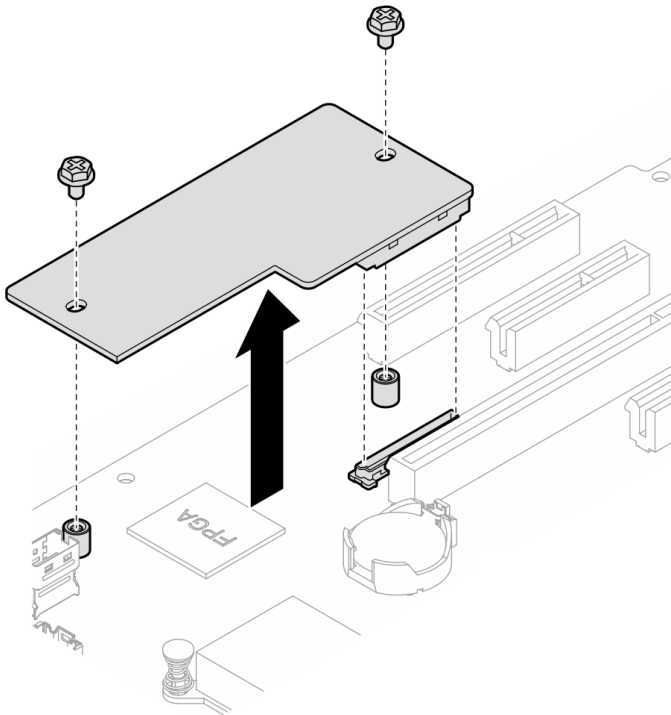


Figure 84. Firmware and RoT security module removal

## After you finish

1. Install a replacement unit. See “Install the firmware and RoT security module” on page 120
2. If you are instructed to return the component or optional device, follow all packaging instructions, and use any packaging materials for shipping that are supplied to you.

## Demo video

[Watch the procedure on Youtube](#)

## Install the firmware and RoT security module

Follow instructions in this section to install the ThinkSystem V3 Firmware and Root of Trust Security Module (firmware and RoT security module).



## About this task

**Important:** This task must be operated by trained technicians that are certified by Lenovo Service. Do not attempt to remove or install the part without proper training and qualification.

(Lenovo trained technician only) After replacing the Firmware and RoT security module, update the UEFI firmware to the specific version supported by the server. For detailed information on how to update the firmware, see <https://glosse4lenovo.lenovo.com/wiki/glosse4lenovo/view/How%20To/System%20related/How%20to%20do%20RoT%20Module%20FW%20update%20on%20ThinkSystem%20V3%20machines/> (Lenovo service technicians only).

### Attention:

- Read “[Installation Guidelines](#)” on page 1 and “[Safety inspection checklist](#)” on page 2 to ensure that you work safely.
- Power off the server and peripheral devices and disconnect the power cords and all external cables. See “[Power off the server](#)” on page 7.
- Prevent exposure to static electricity, which might lead to system halt and loss of data, by keeping static-sensitive components in their static-protective packages until installation, and handling these devices with an electrostatic-discharge wrist strap or other grounding system.
- If the server is installed in a rack, slide the server out on its rack slide rails to gain access to the top cover, or remove the server from the rack. See “[Remove the server from rack](#)” on page 107.

**Firmware and driver download:** You might need to update the firmware or driver after replacing a component.

- Go to <https://datacentersupport.lenovo.com/tw/en/products/servers/thinksystem/st250v3/7dce/downloads/driver-list/> to see the latest firmware and driver updates for your server.
- Go to “Update the firmware” in *User Guide* or *System Configuration Guide* for more information on firmware updating tools.

## Procedure

- Step 1. Touch the static-protective package that contains the component to any unpainted metal surface on the server; then, remove it from the package and place it on a static-protective surface.
- Step 2. Install the firmware and RoT security module to the server and tighten the two screws to secure the Firmware and RoT security module to the system board.

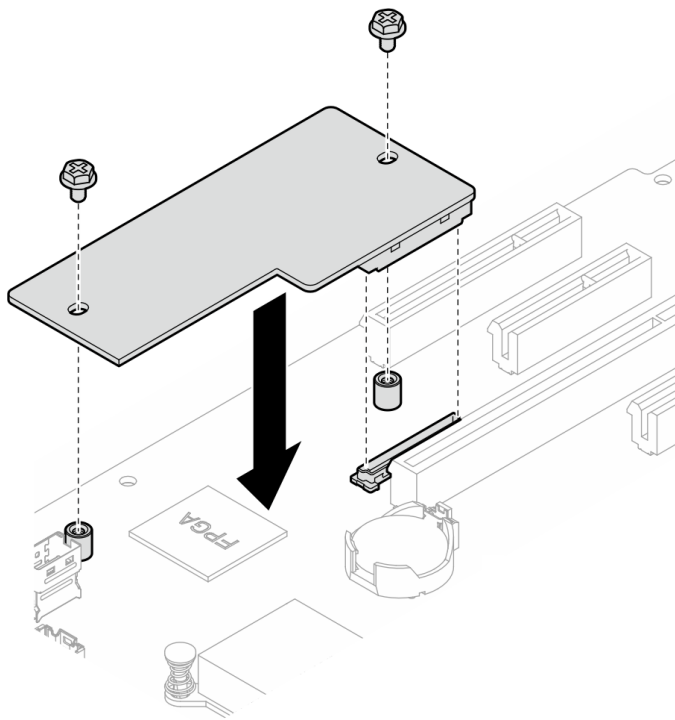


Figure 85. Firmware and RoT security module installation

Step 3. Connect cables to the system board. See [“System-board connectors”](#) on page 178

## After you finish

1. Reinstall the PCIe adapter. See [“Install the PCIe adapter”](#) on page 79.
2. Reconnect all the cables that were removed. See [Chapter 2 “Internal cable routing”](#) on page 137.
3. Reinstall the server cover. See [“Install the server cover”](#) on page 115.
4. Complete the parts replacement. See [“Complete the parts replacement”](#) on page 135.
5. Update the UEFI, XCC and LXPM firmware to the specific version supported by the server. See <https://glosse4lenovo.lenovo.com/wiki/glosse4lenovo/view/How%20To/System%20related/How%20to%20do%20RoT%20Module%20FW%20update%20on%20ThinkSystem%20V3%20machines/> (Lenovo service technicians only).
6. Perform OneCLI commands to restore the UEFI settings. See [https://pubs.lenovo.com/lxce-onecli/onecli\\_r\\_restore\\_command](https://pubs.lenovo.com/lxce-onecli/onecli_r_restore_command).
7. Perform both OneCLI commands and XCC actions to restore the XCC settings. See [https://pubs.lenovo.com/lxce-onecli/onecli\\_r\\_restore\\_command](https://pubs.lenovo.com/lxce-onecli/onecli_r_restore_command) and [https://pubs.lenovo.com/xcc2/NN1ia\\_c\\_restorethexcc.html](https://pubs.lenovo.com/xcc2/NN1ia_c_restorethexcc.html).
8. Optionally, do the following if needed:
  - Hide TPM. See [“Hide/observe TPM”](#) on page 129.
  - Update the TPM firmware. See [“Update the TPM firmware”](#) on page 130.
  - Enable UEFI Secure Boot. See [“Enable UEFI Secure Boot”](#) on page 131.

## Demo video

[Watch the procedure on Youtube](#)

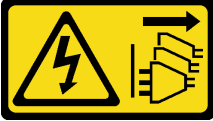
## Remove the system board

Follow instructions in this section to remove the system board.

### About this task

To avoid potential danger, read and follow the following safety statements.

- **S002**



**CAUTION:**

The power-control button on the device and the power switch on the power supply do not turn off the electrical current supplied to the device. The device also might have more than one power cord. To remove all electrical current from the device, ensure that all power cords are disconnected from the power source.

- **S012**



**CAUTION:**

Hot surface nearby.

- **S017**



**CAUTION:**

Hazardous moving fan blades nearby. Keep fingers and other body parts away.

### Attention:

- Read [“Installation Guidelines” on page 1](#) and [“Safety inspection checklist” on page 2](#) to ensure that you work safely.
- Power off the server and peripheral devices and disconnect the power cords and all external cables. See [“Power off the server” on page 7](#).
- If the server is installed in a rack, remove the server from the rack.
- Remove any locking device that secures the server cover, such as a Kensington lock or a pad lock.

### Procedure

Step 1. Make preparations for this task.

- a. Record all system configuration information, such as Lenovo XClarity Controller IP addresses, vital product data, and the machine type, model number, serial number, Universally Unique Identifier, and asset tag of the server.
- b. Save the system configuration to an external device with Lenovo XClarity Essentials.

- c. Save the system event log to external media.
- d. Remove the server cover. See [“Remove the server cover” on page 113](#).
- e. Remove the front and rear system fan. See [“Remove the front system fan” on page 33](#) and [“Remove the rear system fan” on page 37](#).
- f. Remove the M.2 boot adapter. See [“Remove the M.2 boot adapter” on page 56](#).
- g. Remove the PCIe adapters. See [“Remove the PCIe adapter” on page 77](#).
- h. Label the slot number on each memory module, then remove all the memory modules from the system board and set them aside on a static-protective surface for reinstallation. See [“Remove a memory module” on page 65](#).
- i. Remove the heat sink and fan assembly. See [“Remove the heat sink and fan module” on page 49](#).
- j. Remove the processor. See [“Remove the processor” on page 99](#).
- k. Remove the Firmware and RoT security module. See [“Remove the firmware and RoT security module” on page 119](#).
- l. Make notes of where the cables are connected to the system board; then, disconnect all the cables.

**Attention:** Disengage all latches, cable clips, release tabs, or locks on cable connectors beforehand. Failing to release them before removing the cables will damage the cable connectors on the system board. Any damage to the cable connectors may require replacing the system board.

Step 2. Place the server on the side with the system board facing up.

Step 3. Remove the eight screws that secure the system board following the recommended numerical sequence shown in the illustration; then, carefully remove the system board out of the chassis.

**Note:** For reference, the torque required to fully loosen the screws is 0.5–0.6 newton-meters, 4.5–5.5 inch-pounds.

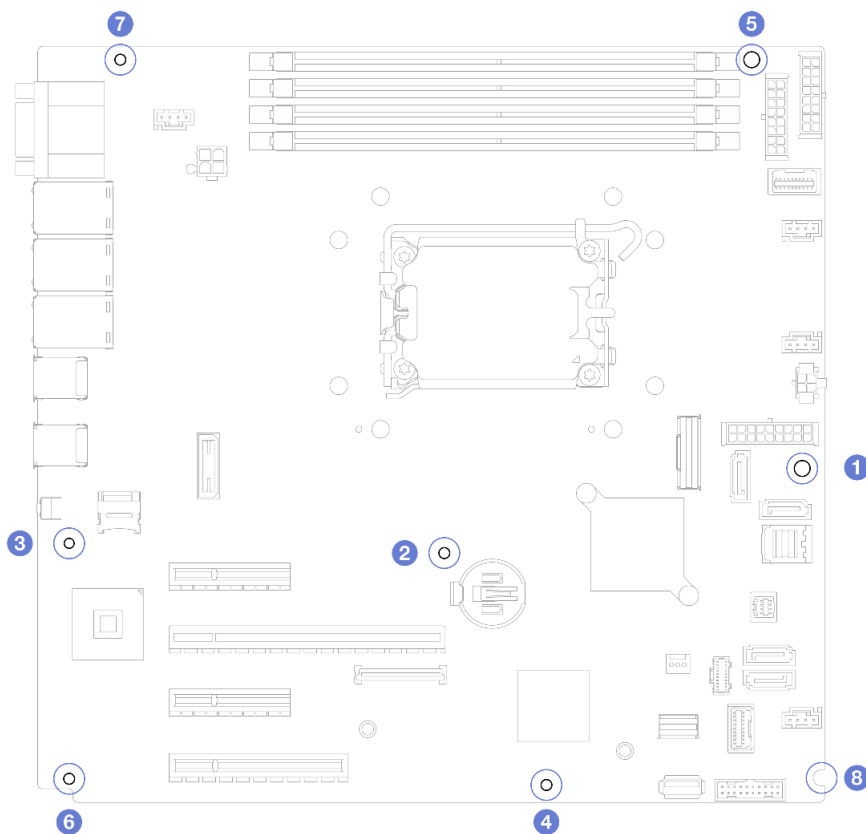


Figure 86. Removing the screws that secure the system board.

Step 4. Place the system board on a clean, flat, and static-protective surface.

### After you finish

- If you are instructed to return the component or optional device, follow all packaging instructions, and use any packaging materials for shipping that are supplied to you.

**Important:** Before you return the system board, make sure that you install the processor socket dust covers from the new system board. To replace a processor socket dust cover:

1. Take a dust cover from the processor socket assembly on the new system board and orient it correctly above the processor socket assembly on the removed system board.
2. Gently press down the dust cover legs to the processor socket assembly, pressing on the edges to avoid damage to the socket pins. You might hear a click on the dust cover is securely attached.
3. **Make sure** that the dust cover is securely attached to the processor socket assembly.

### Demo video

[Watch the procedure on Youtube](#)

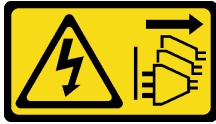
## Install the system board

Follow instructions in this section to install the system board.

### About this task

To avoid potential danger, read and follow the following safety statements.

- **S002**



**CAUTION:**

The power-control button on the device and the power switch on the power supply do not turn off the electrical current supplied to the device. The device also might have more than one power cord. To remove all electrical current from the device, ensure that all power cords are disconnected from the power source.

- **S012**



**CAUTION:**

Hot surface nearby.

- **S017**



**CAUTION:**

Hazardous moving fan blades nearby. Keep fingers and other body parts away.

**Attention:**

- Read “[Installation Guidelines](#)” on page 1 and “[Safety inspection checklist](#)” on page 2 to ensure that you work safely.
- Touch the static-protective package that contains the component to any unpainted metal surface on the server; then, remove it from the package and place it on a static-protective surface.

**Firmware and driver download:** You might need to update the firmware or driver after replacing a component.

- Go to <https://datacentersupport.lenovo.com/tw/en/products/servers/thinksystem/st250v3/7dce/downloads/driver-list/> to see the latest firmware and driver updates for your server.
- Go to “Update the firmware” in *User Guide* or *System Configuration Guide* for more information on firmware updating tools.

## Procedure

**Attention:** Before install the new system board, make sure that the power supply cage has been installed into the chassis to avoid damaging components on the system board.

- Step 1. Note the orientation of the new system board, and carefully place it into the chassis. Ensure that the serial port on the system board is inserted into the corresponding slot, and the eight screw holes on the system board are aligned with the corresponding mounting studs on the chassis.

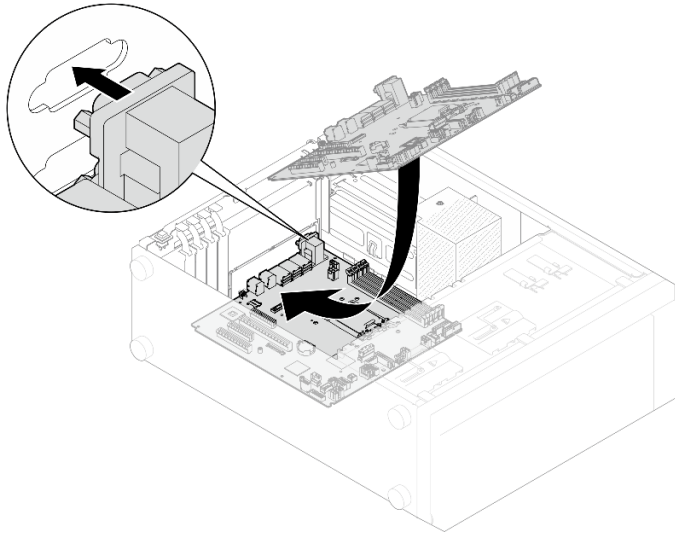


Figure 87. Installing the system board

Step 2. Secure the system board by tightening the eight screws in the sequence shown in the illustration.

**Note:** For reference, the torque required to fully tighten the screws is 0.5-0.6 newton-meters, 4.5-5.5 inch-pounds.

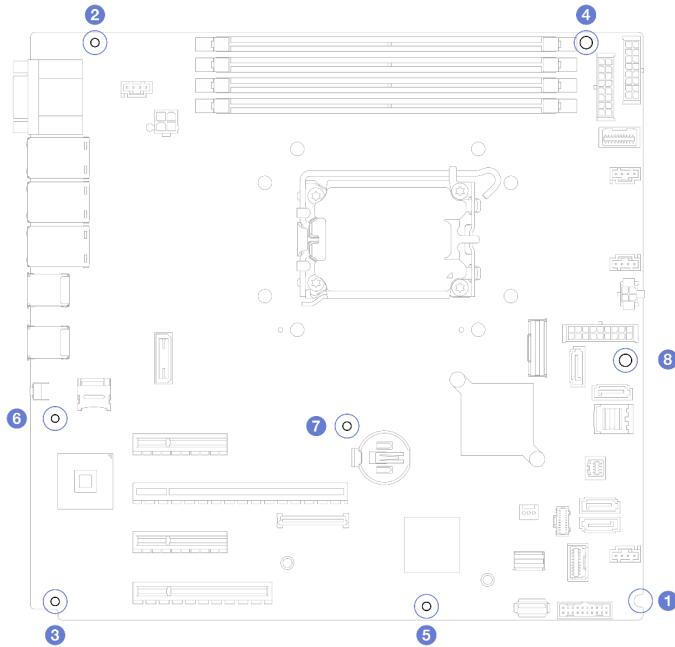


Figure 88. Tightening the screws to secure the system board

### After you finish

1. Reconnect all the required cables to the same connectors on the system board as the defective system board. See [Chapter 2 “Internal cable routing” on page 137](#).
2. Reinstall the Firmware and RoT security module. See [“Install the firmware and RoT security module” on page 120](#).
3. Reinstall the processor. See [“Install the processor” on page 100](#).

4. Reinstall the heat sink and fan assembly. See [“Install the heat sink and the fan module” on page 51](#).
5. Reinstall the memory module. See [“Install a memory module” on page 68](#).
6. Reinstall the PCIe adapter. See [“Install the PCIe adapter” on page 79](#).
7. Reinstall the M.2 adapter. See [“Install the M.2 boot adapter” on page 58](#).
8. Reinstall the rear system fan. See [“Install the rear system fan” on page 38](#).
9. Ensure that all components have been reassembled correctly and that no tools or loose screws are left inside the server.
10. Reinstall the server cover. See [“Install the server cover” on page 115](#).
11. If the sever was installed in a rack, reinstall the server into the rack. See [“Install the server to rack” on page 109](#).
12. Reconnect the power cords and any cables that you removed.
13. Power on the server and any peripheral devices. See [“Power on the server” on page 7](#).
14. Update the vital product data (VPD). See [“Update the Vital Product Data \(VPD\)” on page 128](#).  
  
Machine type number and serial number can be found on the ID label, see [“Identify the server and access to the Lenovo XClarity Controller” in \*User Guide\* or \*System Configuration Guide\*](#).
15. If hiding TPM or updating TPM firmware is needed, see [“Hide/observe TPM” on page 129](#) or [“Update the TPM firmware” on page 130](#).
16. Optionally, enable UEFI Secure Boot. See [“Enable UEFI Secure Boot” on page 131](#).

## Demo video

[Watch the procedure on Youtube](#)

## Update the Vital Product Data (VPD)

Use this topic to update the Vital Product Data (VPD).


- **(Required)** Machine type
- **(Required)** Serial number
- **(Required)** System model
- (Optional) Asset tag
- (Optional) UUID

### Recommended tools:

- Lenovo XClarity Provisioning Manager
- Lenovo XClarity Essentials OneCLI commands

### Using Lenovo XClarity Provisioning Manager

#### Steps:

1. Start the server and press the key according to the on-screen instructions. The Lenovo XClarity Provisioning Manager interface is displayed by default.
2. Click  on the top right corner of the Lenovo XClarity Provisioning Manager main interface.
3. Click **Update VPD**; then, follow on-screen instructions to update the VPD.

### Using Lenovo XClarity Essentials OneCLI commands

- Updating **machine type**



```
onecli config set SYSTEM_PROD_DATA.SysInfoProdName <m/t_model> [access_method]
```

- **Updating serial number**  
onecli config set SYSTEM\_PROD\_DATA.SysInfoSerialNum <s/n> [access\_method]
- **Updating system model**  
onecli config set SYSTEM\_PROD\_DATA.SysInfoProdIdentifier <system model> [access\_method]  
onecli config set SYSTEM\_PROD\_DATA.SysInfoProdIdentifierEx <system model> --override [access\_method]
- **Updating asset tag**  
onecli config set SYSTEM\_PROD\_DATA.SysEncloseAssetTag <asset\_tag> [access\_method]
- **Updating UUID**  
onecli config createuuid SYSTEM\_PROD\_DATA.SysInfoUUID [access\_method]

Variable	Description
<m/t_model>	The server machine type and model number. Type xxxxyyy, where xxxx is the machine type and yyy is the server model number.
<s/n>	The serial number on the server. Type zzzzzzz, where zzzzzzz is the serial number.
<system model>	The system model on the server. Type system yyyyyyyy, where yyyyyyyy is the product identifier.
<asset_tag>	The server asset tag number. Type aaaaaaaaaaaaaaaaaaaaaaaaaaaaaaaaaa, where aaaaaaaaaaaaaaaaaaaaaaaaaaaaaaaaaa is the asset tag number.
[access_method]	The access method that you select to access the target server. <ul style="list-style-type: none"> <li>• Online KCS (unauthenticated and user restricted): You can directly delete [access_method] from the command.</li> <li>• Online authenticated LAN: In this case, specify below LAN account information at the end of the OneCLI command: --bmc-username &lt;user_id&gt; --bmc-password &lt;password&gt;</li> <li>• Remote WAN/LAN: In this case, specify below XCC account information and IP address at the end of the OneCLI command: --bmc &lt;bmc_user_id&gt;:&lt;bmc_password&gt;@&lt;bmc_external_IP&gt;</li> </ul> <p><b>Notes:</b></p> <ul style="list-style-type: none"> <li>– &lt;bmc_user_id&gt; The BMC account name (1 of 12 accounts). The default value is USERID.</li> <li>– &lt;bmc_password&gt; The BMC account password (1 of 12 accounts).</li> </ul>

## Hide/observe TPM

TPM is enabled by default to encrypt data transfer for system operation. Optionally, you can disable TPM using Unified Extensible Firmware Interface (UEFI) or Lenovo XClarity Essentials OneCLI.

### Using UEFI

For details, see “Hide TPM from OS” in *UEFI User Guide* at <https://pubs.lenovo.com/uefi-overview/>.

## Using Lenovo XClarity Essentials OneCLI

To disable TPM, do the following:

1. Download and install Lenovo XClarity Essentials OneCLI.

To download Lenovo XClarity Essentials OneCLI, go to the following site:

<https://datacentersupport.lenovo.com/solutions/HT116433>

2. Run the following command:

```
OneCli.exe config set TrustedComputingGroup.HideTPMfromOS "Yes" --imm <userid>:<password>@<ip_address> --override
```

where:

- <userid>:<password> are the credentials used to access the BMC (Lenovo XClarity Controller interface) of your server. The default user ID is USERID, and the default password is PASSWORD (zero, not an uppercase o)
- <ip\_address> is the IP address of the BMC.

Example:

```
D:\onecli>OneCli.exe config set TrustedComputingGroup.HideTPMfromOS "Yes" --imm USERID:PASSWORD=1@10.245.39.79 --override
Lenovo XClarity Essentials OneCLI 1xce_onecli01p-2.3.0
Licensed Materials - Property of Lenovo
(C) Copyright Lenovo Corp. 2013-2018 All Rights Reserved
If the parameters you input includes password, please Note that:
* The password must consist of a sequence of characters from `0-9a-zA-Z_-. $%!'&*()= ` set
* Use "" to quote when password parameters include special characters
* Do not use reserved characters in path name when parameter contains path
Invoking SET command ...
Connected to BMC at IP address 10.245.39.79 by IPMI
TrustedComputingGroup.HideTPMfromOS=Yes
Success.
```

3. Reboot the system.

If you want to enable TPM again, run the following command and reboot the system:

```
OneCli.exe config set TrustedComputingGroup.HideTPMfromOS "No" --imm <userid>:<password>@<ip_address> --override
```

Example:

```
D:\onecli3>OneCli.exe config set TrustedComputingGroup.HideTPMfromOS "No" --imm USERID:PASSWORD=11@10.245.39.79 --override
Lenovo XClarity Essentials OneCLI 1xce_onecli01h-3.0.1
(C) Lenovo 2013-2020 All Rights Reserved
OneCLI License Agreement and OneCLI Legal Information can be found at the following location:
"D:\onecli3\Lic"

[ls]Certificate check finished [100%][=====]
Invoking SET command ...
Connected to BMC at IP address 10.245.39.79 by IPMI
TrustedComputingGroup.HideTPMfromOS=No
Configure successfully, please reboot system.
Succeed.
```

## Update the TPM firmware

Optionally, you can update the TPM firmware using Lenovo XClarity Essentials OneCLI.

**Note:** TPM firmware update is irreversible. After update, the TPM firmware cannot be downgraded to earlier versions.

### TPM firmware version

Follow the procedure below to see the TPM firmware version:

From Lenovo XClarity Provisioning Manager

1. Start the server and press the key specified in the on-screen instructions to display the Lenovo XClarity Provisioning Manager interface. (For more information, see the “Startup” section in the LXPM documentation compatible with your server at <https://pubs.lenovo.com/lxpm-overview/>.)
2. If the power-on Administrator password is required, enter the password.
3. From the UEFI Setup page, click **System Settings** → **Security** → **Trusted Platform Module** → **TPM 2.0** → **TPM Firmware Version**.

## Update the TPM firmware

To update the TPM firmware, do the following:

1. Download and install Lenovo XClarity Essentials OneCLI.

To download Lenovo XClarity Essentials OneCLI, go to the following site:

<https://datacentersupport.lenovo.com/solutions/HT116433>

2. Run the following command:

```
OneCli.exe config set TrustedComputingGroup.DeviceOperation "Update to TPM 2.0 firmware version <x.x.x.x>" --bmc <userid>:<password>@<ip_address>
```

where:

- <x.x.x.x> is the target TPM version.

e.g. TPM 2.0 (7.2.1.0) -> TPM 2.0 (7.2.2.0):

```
OneCli.exe config set TrustedComputingGroup.DeviceOperation "Update to TPM 2.0 firmware version 7.2.2.0" --bmc <userid>:<password>@<ip_address>
```

- <userid>:<password> are the credentials used to access the BMC (Lenovo XClarity Controller interface) of your server. The default user ID is USERID, and the default password is PASSWORD (zero, not an uppercase o).
- <ip\_address> is the IP address of the BMC.

## Enable UEFI Secure Boot

Optionally, you can enable UEFI Secure Boot.

There are two methods available to enable UEFI Secure Boot:

- From Lenovo XClarity Provisioning Manager

To enable UEFI Secure Boot from Lenovo XClarity Provisioning Manager:

1. Start the server and press the key specified in the on-screen instructions to display the Lenovo XClarity Provisioning Manager interface. (For more information, see the “Startup” section in the LXPM documentation compatible with your server at <https://pubs.lenovo.com/lxpm-overview/>.)
2. If the power-on Administrator password is required, enter the password.
3. From the UEFI Setup page, click **System Settings** → **Security** → **Secure Boot**.
4. Enable Secure Boot and save the settings.

**Note:** If disabling UEFI secure boot is needed, select Disable in step 4.

- From Lenovo XClarity Essentials OneCLI

To enable UEFI Secure Boot from Lenovo XClarity Essentials OneCLI:

1. Download and install Lenovo XClarity Essentials OneCLI.

To download Lenovo XClarity Essentials OneCLI, go to the following site:

<https://datacentersupport.lenovo.com/solutions/HT116433>

2. Run the following command to enable Secure Boot:

```
OneCli.exe config set SecureBootConfiguration.SecureBootSetting Enabled --bmc <userid>:<password>@<ip_
address>
```

where:

- <userid>:<password> are the credentials used to access the BMC (Lenovo XClarity Controller interface) of your server. The default user ID is USERID, and the default password is PASSWORD (zero, not an uppercase o)
- <ip\_address> is the IP address of the BMC.

For more information about the Lenovo XClarity Essentials OneCLI `set` command, see:

[https://pubs.lenovo.com/lxce-onecli/onecli\\_r\\_set\\_command](https://pubs.lenovo.com/lxce-onecli/onecli_r_set_command)

**Note:** If disabling UEFI secure boot is needed, run the following command:

```
OneCli.exe config set SecureBootConfiguration.SecureBootSetting Disabled --bmc <userid>:<password>@<ip_
address>
```

---

## Tape drive replacement

Follow instructions in this section to remove and install the tape drive.

Your server supports RDX and LTO tape drives.

### Remove a tape drive

Follow instructions in this section to remove a tape drive.

#### About this task

To avoid potential danger, read and follow the following safety statements.

- **S002**



**CAUTION:**

The power-control button on the device and the power switch on the power supply do not turn off the electrical current supplied to the device. The device also might have more than one power cord. To remove all electrical current from the device, ensure that all power cords are disconnected from the power source.

- **S006**



**CAUTION:**

When laser products (such as CD-ROMs, DVD drives, fiber optic devices, or transmitters) are installed, note the following:

- Do not remove the covers. Removing the covers of the laser product could result in exposure to hazardous laser radiation. There are no serviceable parts inside the device.
- Use of controls or adjustments or performance of procedures other than those specified herein might result in hazardous radiation exposure.

#### Attention:

- Read “[Installation Guidelines](#)” on page 1 and “[Safety inspection checklist](#)” on page 2 to ensure that you work safely.
- Power off the server and peripheral devices and disconnect the power cords and all external cables. See “[Power off the server](#)” on page 7.
- If the server is in a rack, remove it from the rack.
- Remove any locking device that secures the server cover, such as a Kensington lock or a padlock.
- Use the front door key to unlock the front door, and then open the front door.

#### Procedure

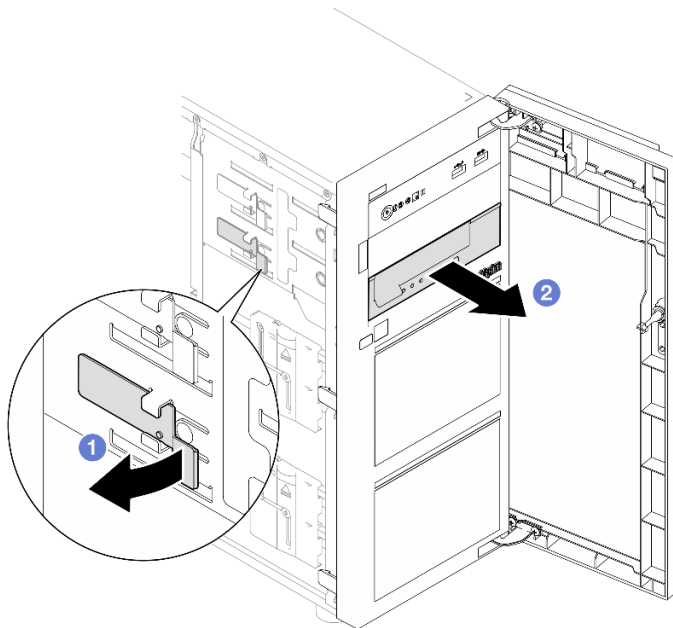
Step 1. Remove the server cover. See “[Remove the server cover](#)” on page 113.

Step 2. Disconnect the cables from the rear of the tape drive.

Step 3. Remove a tape drive.

- 1 Gently pull and hold the metal tab on the side of the chassis and push the tape drive outward from the rear.
- 2 Carefully pull the tape drive out of the chassis.

Figure 89. Removing a tape drive



#### After you finish

1. Install one of the following:

- Another tape drive or an optical drive. See [“Install a tape drive” on page 134](#) or [“Install an optical drive” on page 73](#).
  - A drive filler in the vacant drive bay.
2. If you are instructed to return the component or optional device, follow all packaging instructions, and use any packaging materials for shipping that are supplied to you.

### Demo video

[Watch the procedure on Youtube](#)

## Install a tape drive

Follow instructions in this section to install a tape drive.

### About this task

To avoid potential danger, read and follow the following safety statements.

- **S002**



#### CAUTION:

The power-control button on the device and the power switch on the power supply do not turn off the electrical current supplied to the device. The device also might have more than one power cord. To remove all electrical current from the device, ensure that all power cords are disconnected from the power source.

- **S006**



#### CAUTION:

When laser products (such as CD-ROMs, DVD drives, fiber optic devices, or transmitters) are installed, note the following:

- Do not remove the covers. Removing the covers of the laser product could result in exposure to hazardous laser radiation. There are no serviceable parts inside the device.
- Use of controls or adjustments or performance of procedures other than those specified herein might result in hazardous radiation exposure.

#### Attention:

- Read [“Installation Guidelines” on page 1](#) and [“Safety inspection checklist” on page 2](#) to ensure that you work safely.
- Touch the static-protective package that contains the component to any unpainted metal surface on the server; then, remove it from the package and place it on a static-protective surface.

## Procedure

Step 1. If a filler is installed in the drive bay, remove it first. Keep the drive filler in a safe place for future use.

Step 2. Install a tape drive.

**Note:** The tape drive must be installed into the lower optical drive bay.

- a. ① Gently pull and hold the metal tab on the side of the chassis, and insert the tape drive into the lower drive bay.
- b. ② Release the tab and then continue to slide the tape drive in until it snaps into place.

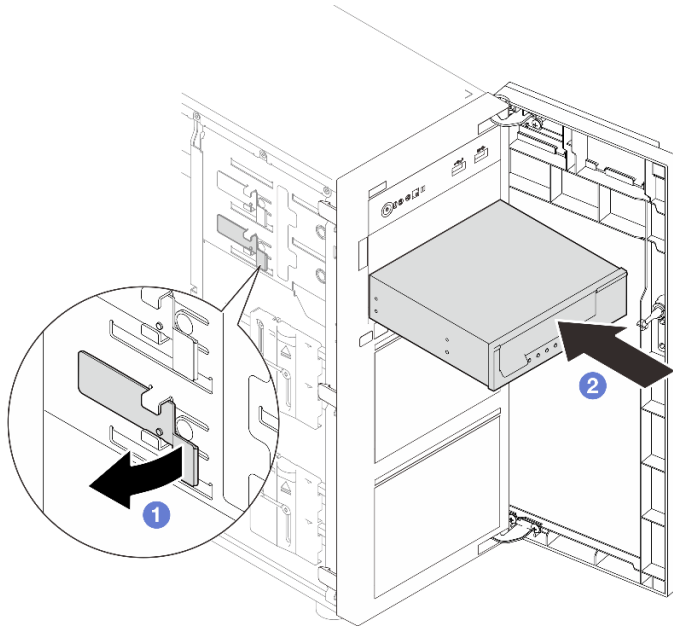


Figure 90. Installing a tape drive

Step 3. Connect the power and signal cables to the rear of the tape drive. See [“Optical/tape drives cable routing” on page 147](#).

## After you finish

Complete the parts replacement. See [“Complete the parts replacement” on page 135](#).

## Demo video

[Watch the procedure on Youtube](#)

---

## Complete the parts replacement

Go through the checklist to complete parts replacement

To complete the parts replacement, do the following:

1. Ensure that all components have been reassembled correctly and that no tools or loose screws are left inside your server.
2. Properly route and secure the cables in the server. Refer to the cable connecting and routing information for each component.
3. If necessary, reinstall the server cover. See [“Install the server cover” on page 115](#).
4. If necessary, reinstall the front door. See [“Install the front door” on page 44](#).

5. If necessary, reinstall the front bezel. See [“Install the front bezel” on page 42](#).
6. If the server was installed in a rack, reinstall the server into the rack. See [“Install the server to rack” on page 109](#).
7. Reconnect the power cords and any cables that you removed.

**Attention:** To avoid component damage, connect the power cords last.

8. Power on the server and any peripheral devices. See [“Power on the server” on page 7](#).
9. Update the server configuration.
  - Download and install the latest device drivers: <http://datacentersupport.lenovo.com>.
  - Update the system firmware. See “Update the firmware” in *User Guide* or *System Configuration Guide*.
  - Update the UEFI configuration. See <https://pubs.lenovo.com/uefi-overview/>.
  - Reconfigure the disk arrays if you have installed or removed a hot-swap drive or a RAID adapter. See <https://pubs.lenovo.com/lxpm-overview/> for the LXPM documentation compatible with your server.



---

## Chapter 2. Internal cable routing

See this section to do cable routing for specific components.

**Note:** Disengage all latches, release tabs, or locks on cable connectors when you disconnect cables from the system board. Failing to release them before removing the cables will damage the cable sockets on the system board, which are fragile. Any damage to the cable sockets might require replacing the system board.

---

### Identifying connectors

See this section to locate and identify the connectors on the electric boards.

### Drive backplates/backplanes

See this section to locate the connectors in the drive backplates/backplanes.

Following are the drive backplate/backplanes that are supported by this server:

- **Simple-swap drive backplates**
  - “3.5-inch simple-swap backplate (Bay 0-3)” on page 137
  - “3.5-inch simple-swap backplate (Bay 4-7 without optical disk drive)” on page 138
  - “3.5-inch simple-swap backplate (Bay 4-5 with optical disk drive)” on page 138
- **Hot-swap drive backplanes**
  - “3.5-inch hot-swap backplane” on page 139
  - “2.5-inch hot-swap backplane” on page 139

#### 3.5-inch simple-swap backplate (Bay 0-3)

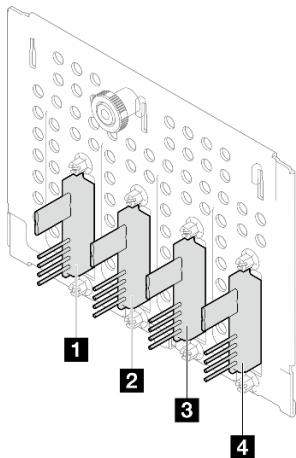


Table 3. 3.5-inch simple-swap backplate (Bay 0-3)

	Bay number in the lower drive cage
<b>1</b> Signal/SATA connector	SATA 3
<b>2</b> Signal/SATA connector	SATA 2

Table 3. 3.5-inch simple-swap backplate (Bay 0-3) (continued)

<b>3</b> Signal/SATA connector	SATA 1
<b>4</b> Signal/SATA connector	SATA 0

**3.5-inch simple-swap backplate (Bay 4-7 without optical disk drive)**

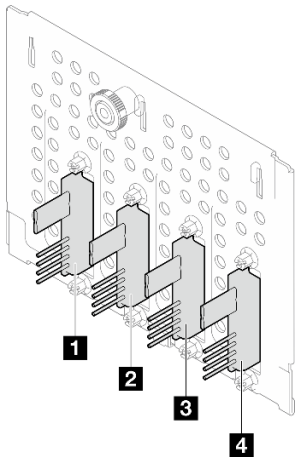


Table 4. 3.5-inch simple-swap backplate (Bay 4-7 without optical disk drive)

	Bay number in the lower drive cage
<b>1</b> Signal/SATA connector	SATA 7 / NVMe 7
<b>2</b> Signal/SATA connector	SATA 6 / NVMe 6
<b>3</b> Signal/SATA connector	SATA 5
<b>4</b> Signal/SATA connector	SATA 4

**3.5-inch simple-swap backplate (Bay 4-5 with optical disk drive)**

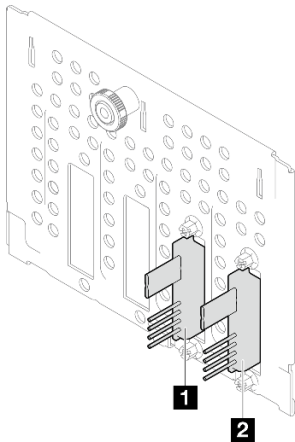


Table 5. 3.5-inch simple-swap backplate (Bay 4-5 with optical disk drive)

	Bay number in the lower drive cage
<b>1</b> Signal/SATA connector	SATA 5
<b>2</b> Signal/SATA connector	SATA 4

### 3.5-inch hot-swap backplane

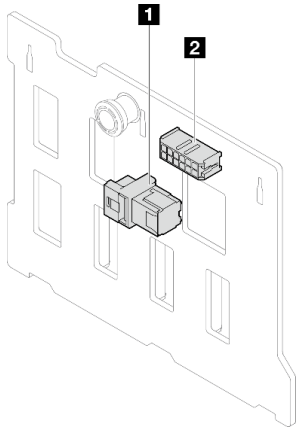


Table 6. 3.5-inch hot-swap backplane connectors

<b>1</b> Power connector	<b>2</b> SAS/SATA connector
--------------------------	-----------------------------

### 2.5-inch hot-swap backplane

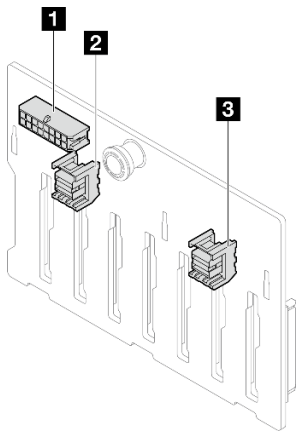


Table 7. 2.5-inch hot-swap backplane connectors

<b>1</b> Power connector	<b>3</b> SAS/SATA 0 connector
<b>2</b> SAS/SATA 1 connector	

## Power distribution board

See this section to locate the connectors in the power distribution board.

## Power distribution board for hot-swap power supplies

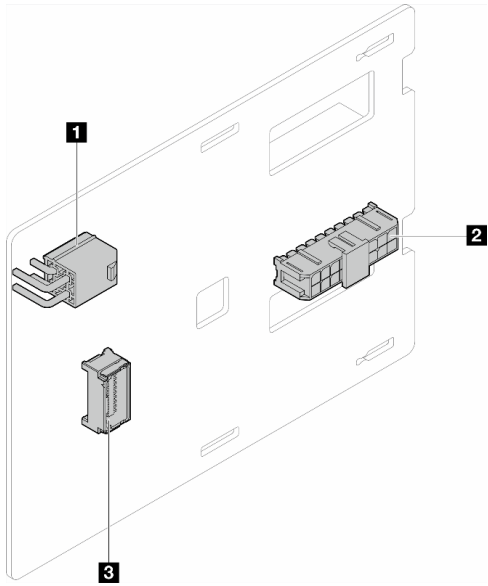


Figure 91. Power distribution board for hot-swap power supplies

Table 8. Power distribution board for hot-swap power supplies

<b>1</b> Processor power connector	<b>3</b> Side band connector
<b>2</b> System power connector	

## RAID adapters

The illustrations in this section identify the connectors on the RAID adapters.

Following are the RAID adapters that are supported by this server:

- “9350-8i” on page 141
- “940-8i” on page 141
- “4350/5350-8i” on page 142
- “9350-16i” on page 142

### 9350-8i

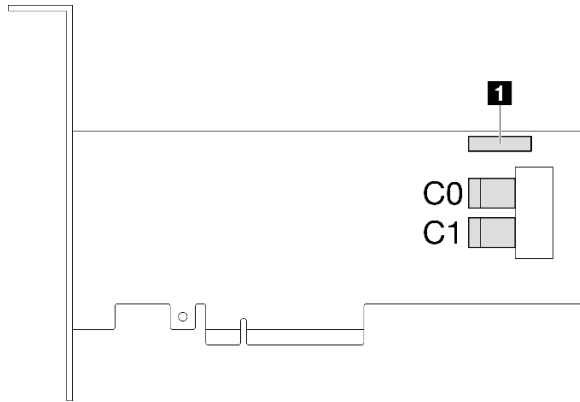


Figure 92. 9350-8i connectors

Table 9. 9350-8i connectors

<b>1</b> RAID flash power module connector
--

### 940-8i

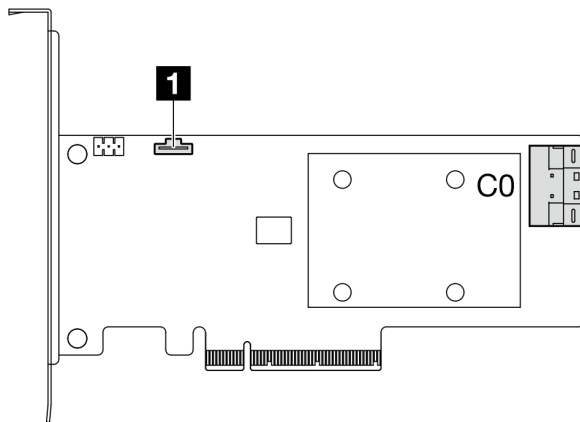


Figure 93. 940-8i connector

Table 10. 940-8i connector

<b>1</b> RAID flash power module connector
--

### 4350/5350-8i

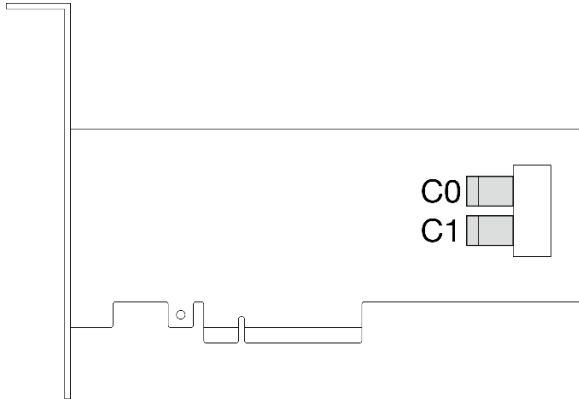


Figure 94. 4350/5350-8i connectors

### 9350-16i

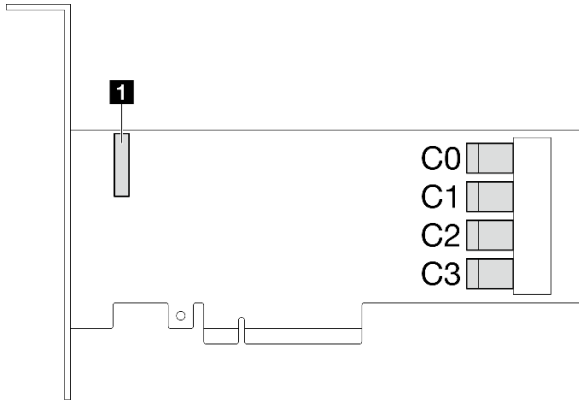


Figure 95. 9350-16i connectors

Table 11. 9350-16i connectors

<b>1</b> RAID flash power module connector
--

## System-board connectors for cable routing

The following illustrations show the internal connectors on the system board that are used for internal cable routing.

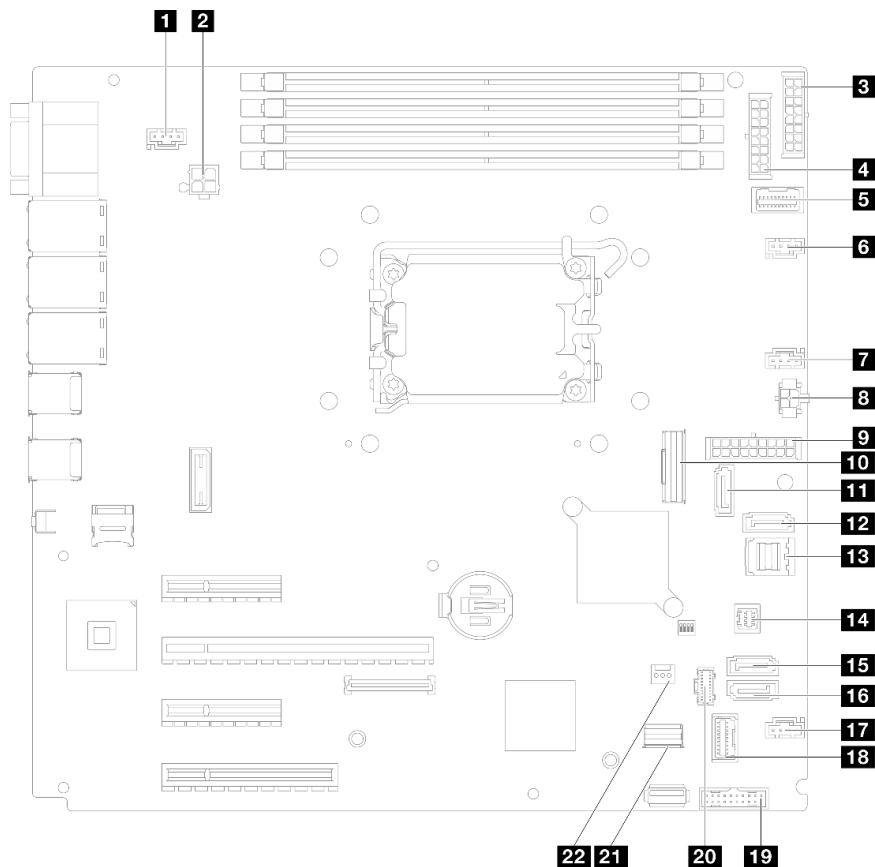


Figure 96. System-board connectors

Table 12. System board connectors

<b>1</b> SYS_FAN3 connector	<b>12</b> SATA 7
<b>2</b> Processor power connector	<b>13</b> SATA 0–3
<b>3</b> BP2 power connector	<b>14</b> SGPIO1 connector
<b>4</b> BP1 power connector	<b>15</b> SATA 5
<b>5</b> Power distribution board side band connector	<b>16</b> SATA 4
<b>6</b> Fan1 connector	<b>17</b> Fan4 connector
<b>7</b> Fan2 connector	<b>18</b> Front I/O module connector
<b>8</b> Optical drive power connector	<b>19</b> Front USB 3.0/2.0 header
<b>9</b> System power connector	<b>20</b> M.2 power connector
<b>10</b> Slimline x8 connector	<b>21</b> M.2 signal connector
<b>11</b> SATA 6	<b>22</b> Intrusion switch connector

## Internal cable routing

See this section to do cable routing for specific components.

**Note:** Disengage all latches, release tabs, or locks on cable connectors when you disconnect cables from the system board. Failing to release them before removing the cables will damage the cable sockets on the system board, which are fragile. Any damage to the cable sockets might require replacing the system board.

## Fan power cable routing

Use the section to understand the internal routing and connectors for the fan power cables.

### Notes:

- Connections between connectors; **1↔1**, **2↔2**, **3↔3**, ... **n↔n**

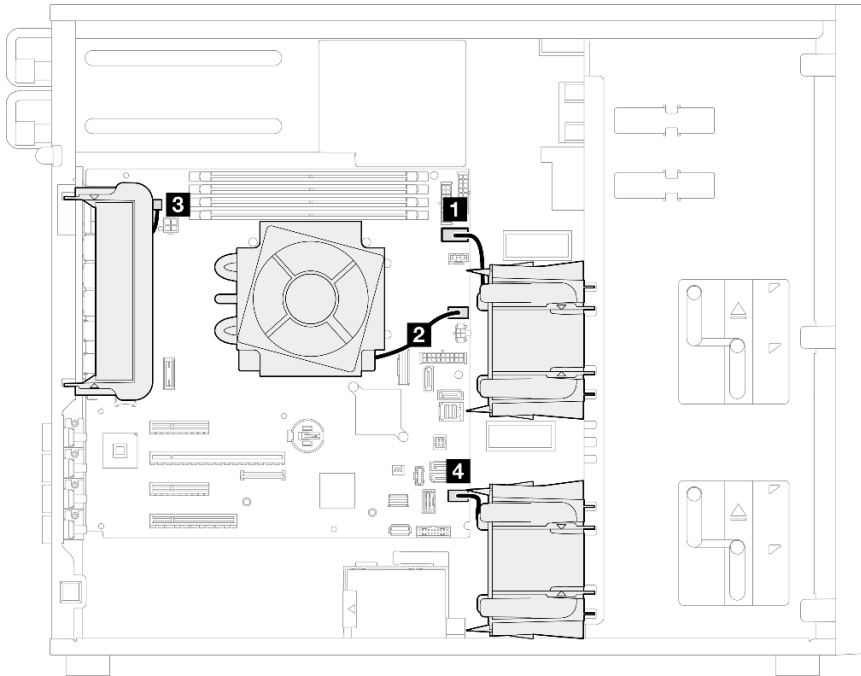


Figure 97. Fan power cable routing

Table 13. Location of fan power connectors on the system board

From	To: System board
<b>1</b> Upper storage fan 1	Fan1 connector
<b>2</b> Processor heat sink fan	Fan2 connector
<b>3</b> Rear system fan	(Rear system fan) SYS_FAN3 connector
<b>4</b> Lower storage fan 4	Fan4 connector

## Front I/O module cable routing

Use the section to understand the cable routing for the front I/O module.

### Notes:

- Connections between connectors; **1↔1**, **2↔2**, **3↔3**, ... **n↔n**
- When routing the cables, ensure that all cables are routed appropriately through the cable guides.



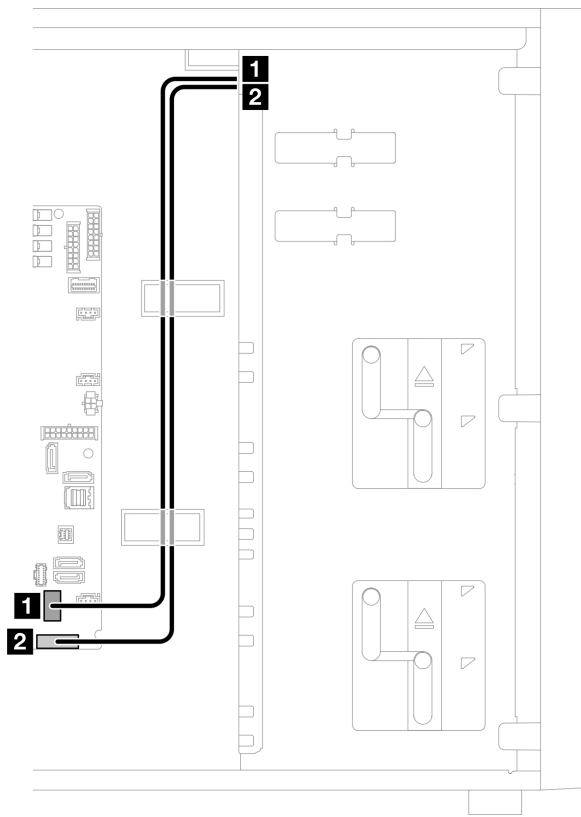


Figure 98. Cable routing for front I/O module

From	To: System board	Cable
<b>1</b> Front I/O module	Front I/O module connector	630 mm
<b>2</b> Front I/O module	Front USB connector	620 mm

## M.2 adapter cable routing

Use this section to understand the cable routing for M.2 adapter.

### Notes:

- Connections between connectors; **1**↔**1**, **2**↔**2**, **3**↔**3**, ... **n**↔**n**

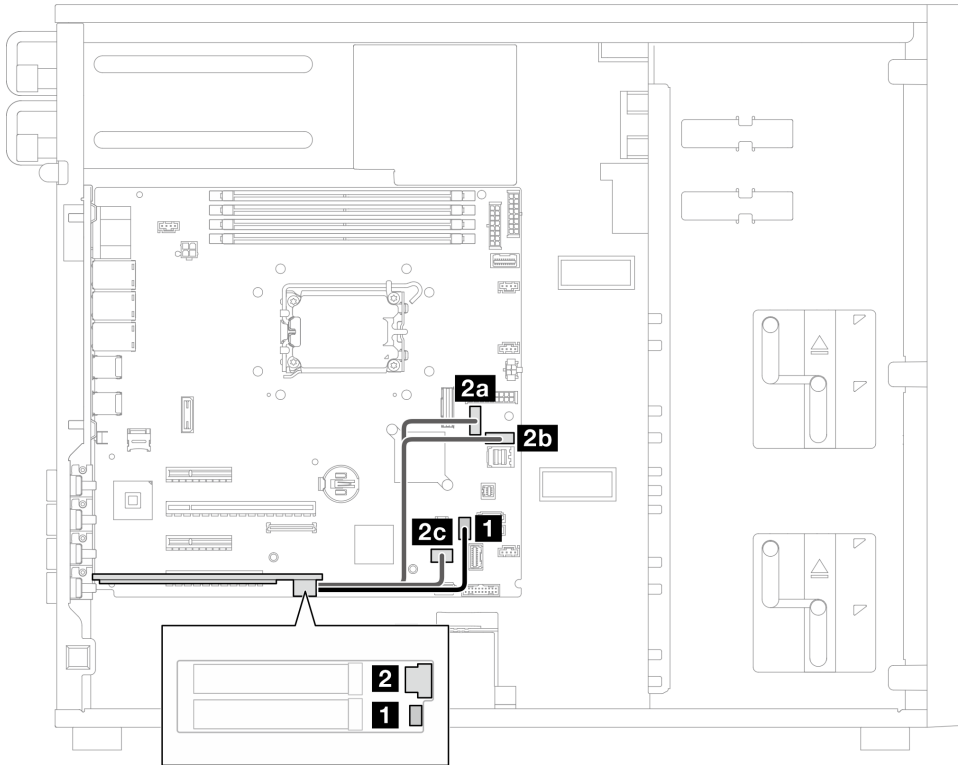


Figure 99. Cable routing for M.2 adapter

From	To: System board	Cable
<b>1</b> M.2 boot adapter: power connector	M.2 power connector	130 mm
<b>2</b> M.2 boot adapter: signal connector	<ul style="list-style-type: none"> <li>• <b>2a</b> SATA 6</li> <li>• <b>2b</b> SATA 7</li> <li>• <b>2c</b> M.2 signal connector</li> </ul>	100/160/150 mm

## Intrusion switch and RAID flash power module cable routing

Use this section to understand the cable routing for intrusion switch and RAID flash power module.

### Notes:

- Connections between connectors; **1**↔**1**, **2**↔**2**, **3**↔**3**, ... **n**↔**n**

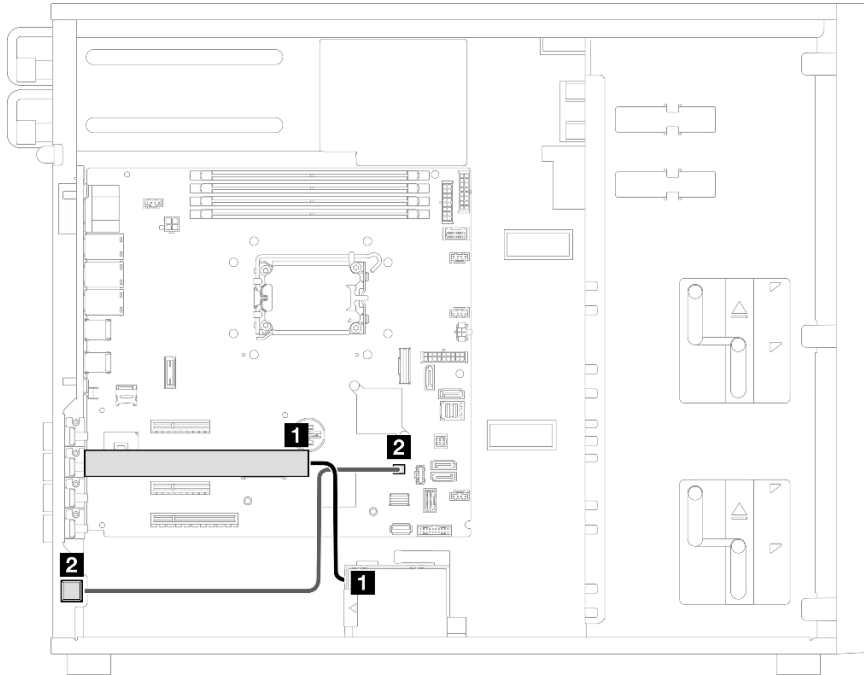


Figure 100. Cable routing for the intrusion switch and RAID flash power module

From	To: System board	Cable
<b>1</b> Extension cable for RAID flash power module	Flash power module connector on the RAID adapter	330 mm
<b>2</b> Intrusion switch	Intrusion switch connector	540 mm

## Optical/tape drives cable routing

Use this section to understand the cable routing for server models with optical/tape drives.

### Notes:

- Connections between connectors; **1** ↔ **1**, **2** ↔ **2**, **3** ↔ **3**, ... **n** ↔ **n**
- When routing the cables, ensure that all cables are routed appropriately through the cable guides.

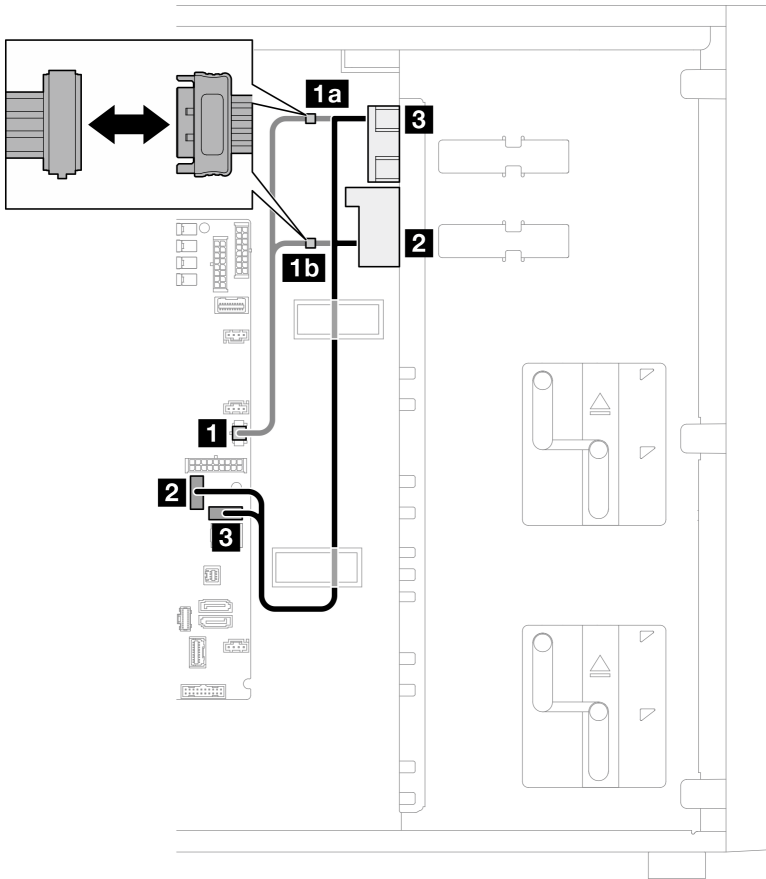


Figure 101. Cable routing for optical/tape drives

From	To: System board	Cable
<b>1</b> ODD/Tape drive power connectors	<b>1a 1b</b> ODD/tape drive power connector	2x2 pin to 15pin/15pin (200 + 100 mm)
<b>2</b> Lower ODD/Tape drive SATA connector	SATA 6	600/50 mm
<b>3</b> Upper ODD/Tape drive SATA connector	SATA 7	

## Fixed power supply cable routing

Use the section to understand the cable routing for the fixed power supply.

### Notes:

- Connections between connectors; **1 ↔ 1, 2 ↔ 2, 3 ↔ 3, ... n ↔ n**
- When routing the cables, ensure that all cables are routed appropriately through the cable guides.

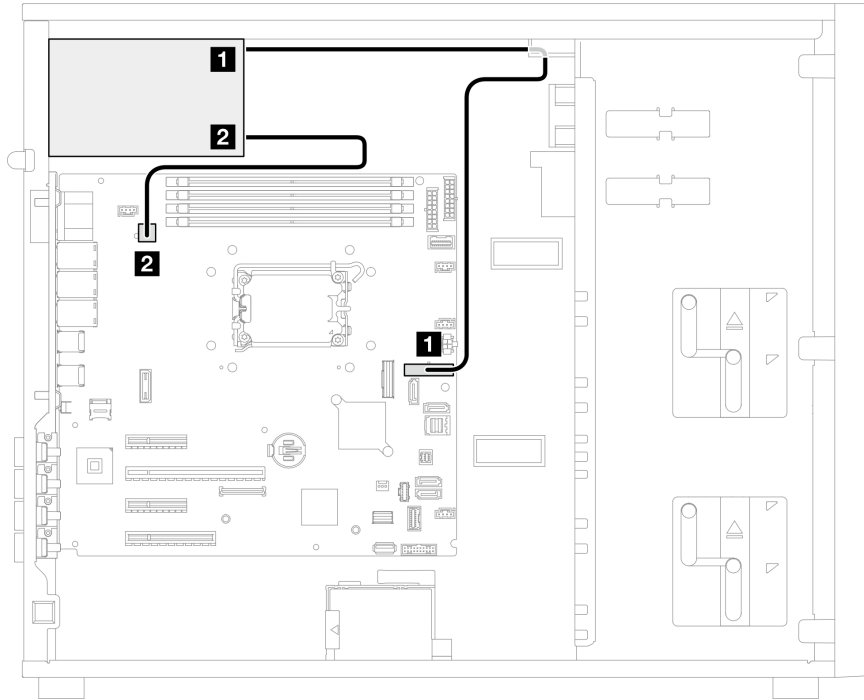


Figure 102. Cable routing for the fixed power supply

From	To: System board	Cable
<b>1</b> System power connector	System power connector	2x5 pin to 2x9 pin, 200mm
<b>2</b> Processor power connector	<ul style="list-style-type: none"> <li>• 300W: Processor power connector</li> <li>• 500W: Processor power connector</li> </ul> <p><b>Notes:</b> An extension cable is provided for 500W fixed power supply for connection, proceed the following steps to finish the connection:</p> <ul style="list-style-type: none"> <li>– Connect the PSU cable to the extension cable; then connect the extension cable to the processor power connector on the system board.</li> </ul>	Extension cable, 50mm

## Redundant power supplies cable routing

Use the section to understand the cable routing for the redundant power supplies.

### Notes:

- Connections between connectors; **1**↔**1**, **2**↔**2**, **3**↔**3**, ... **n**↔**n**

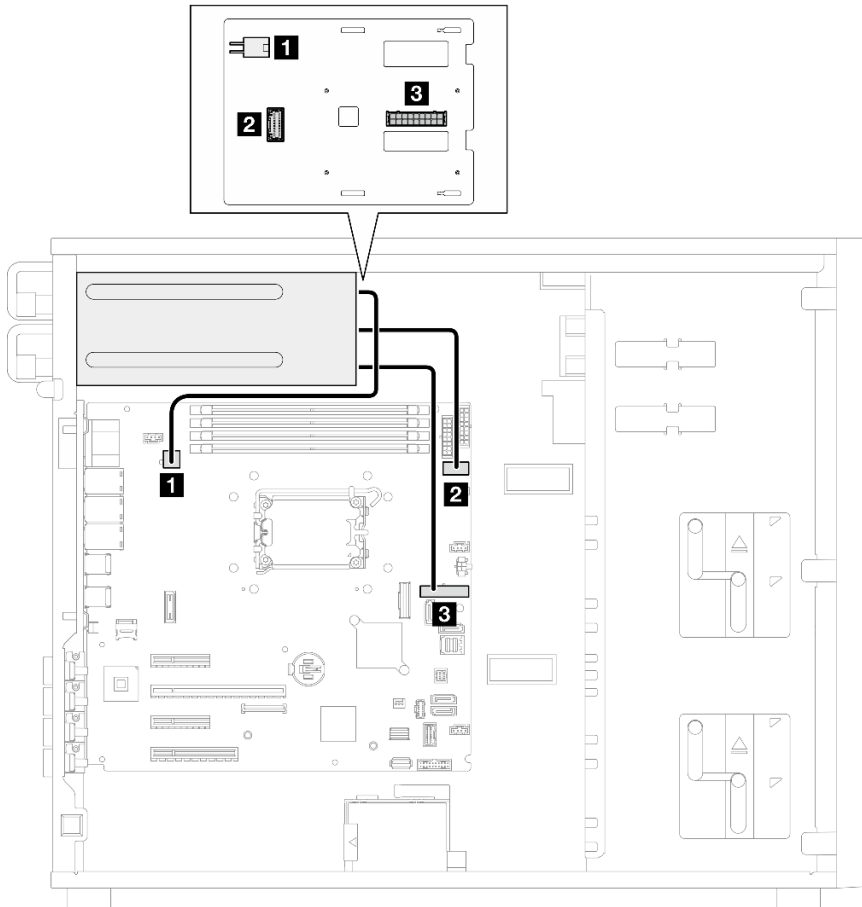


Figure 103. Cable routing for the redundant power supplies

From (Power distribution board)	To: System board	Cable
<b>1</b> Processor power connector	Processor power connector	2x2 pin to 2x2 pin, 450mm
<b>2</b> Side band connector	Power distribution board side band connector	PDB sideband, 320mm
<b>3</b> System power connector	System power connector	2x9 pin to 2x9 pin, 440mm

## Simple-swap drives cable routing

Use this section to understand the cable routing for server models with simple-swap drives.

See the configuration that is applied to the server.

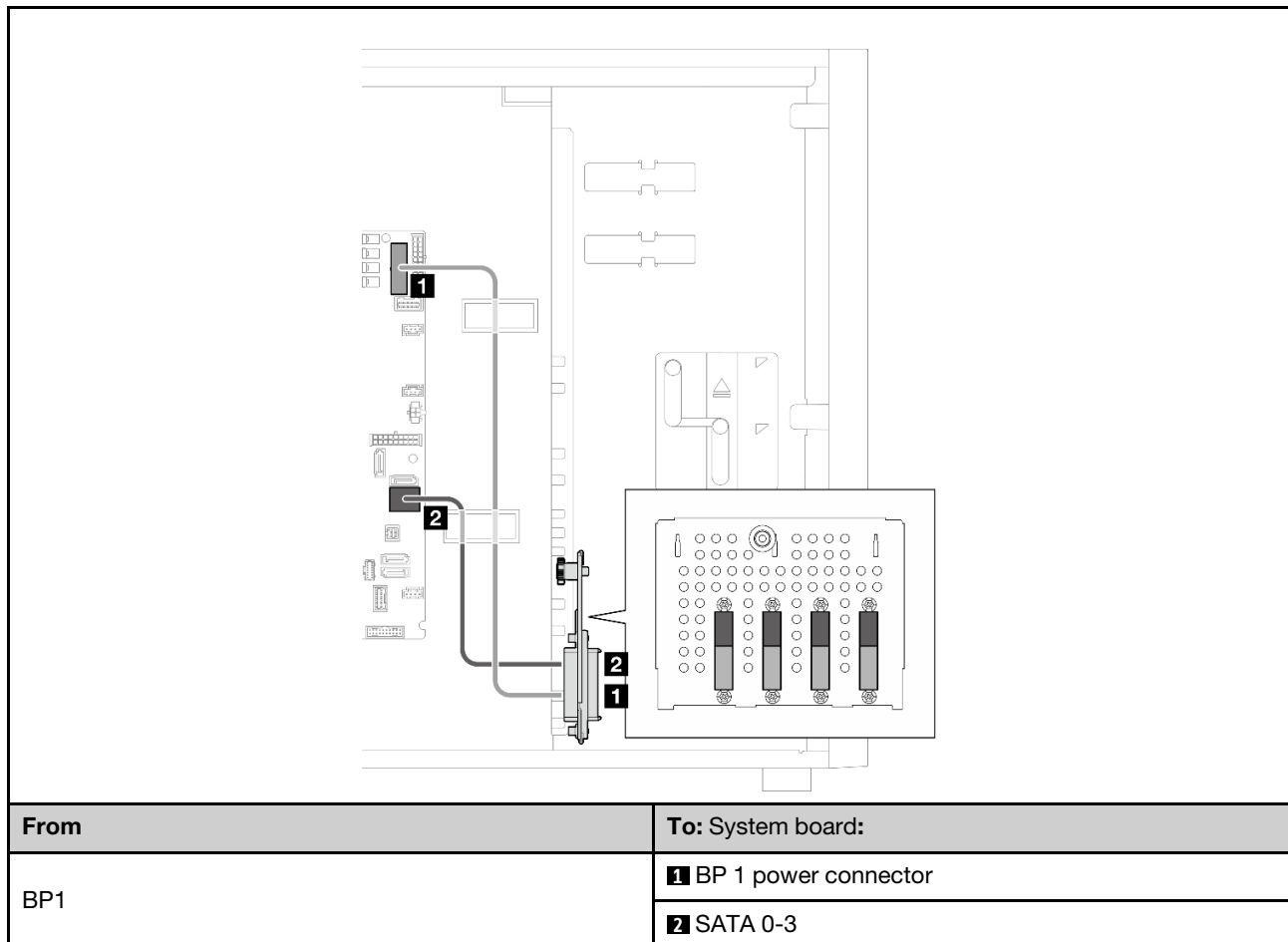
- “Four 3.5-inch SATA drives” on page 151
- “Eight 3.5-inch SATA drives” on page 152
- “Six SATA drives and two NVMe drives” on page 153
- “Six 3.5-inch SATA drives with ODD/tape drives” on page 153

### Four 3.5-inch simple-swap drives

Use this section to understand the cable routing for server models with four 3.5-inch simple-swap drives (software RAID).

#### Notes:

- Connections between connectors; **1** ↔ **1**, **2** ↔ **2**, **3** ↔ **3**, ... **n** ↔ **n**
- When routing the cables, ensure that all cables are routed appropriately through the cable guides.



## Eight 3.5-inch simple-swap drives

Use this section to understand the cable routing for server models with eight 3.5-inch simple-swap drives (software RAID).

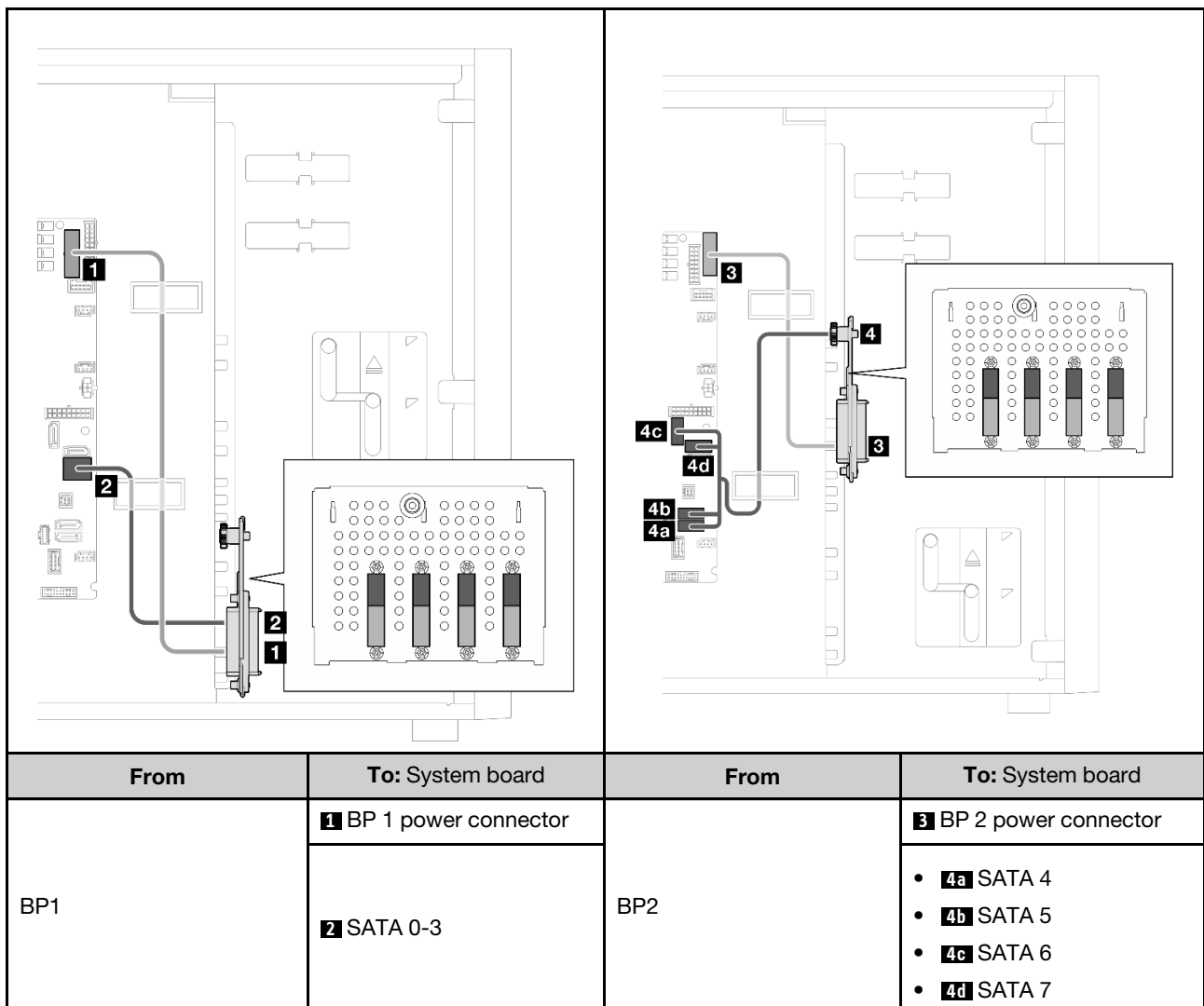
### Notes:

- Connections between connectors; **1**↔**1**, **2**↔**2**, **3**↔**3**, ... **n**↔**n**
- When routing the cables, ensure that all cables are routed appropriately through the cable guides.

Following are the options available for this configuration:

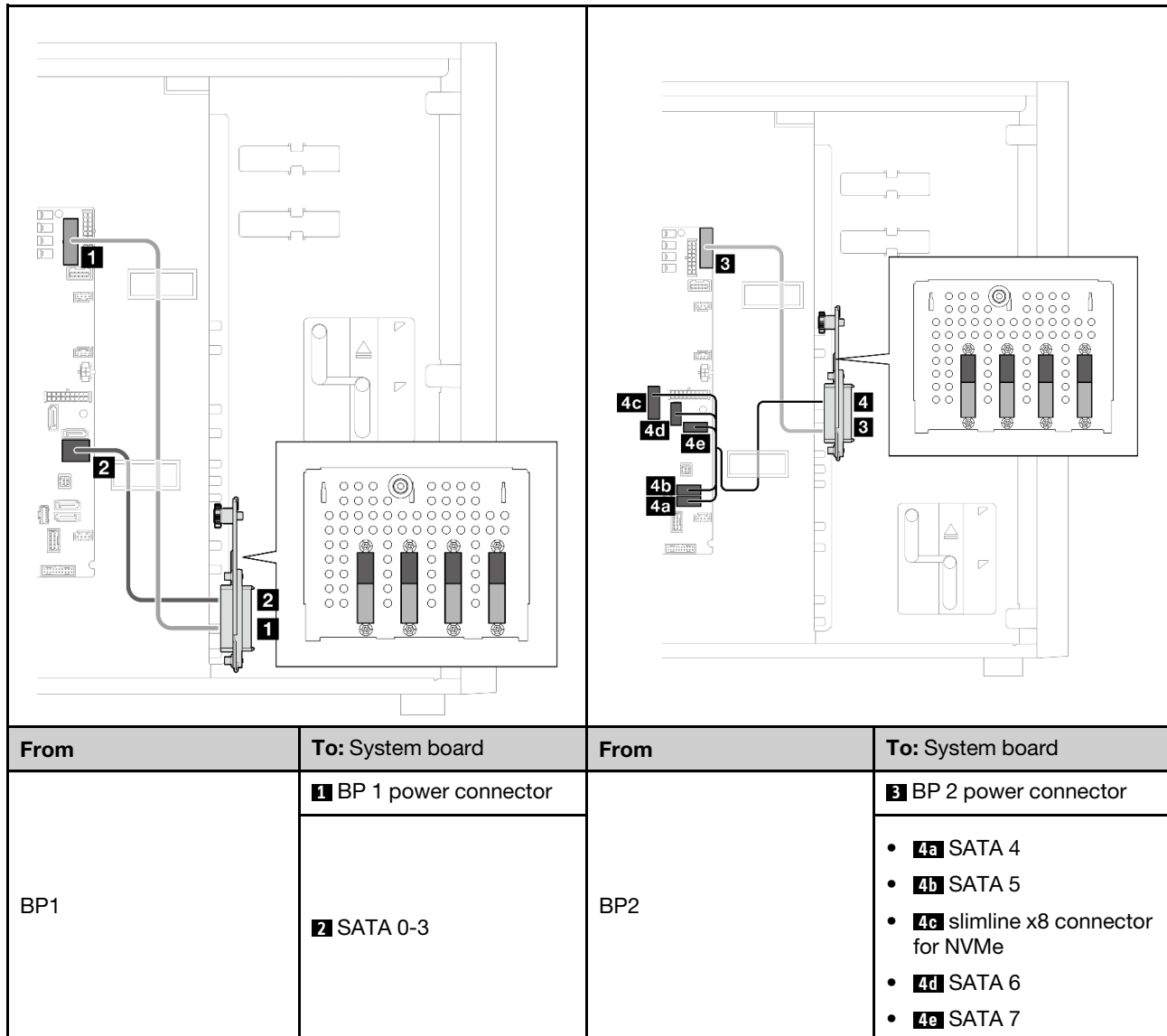
- [“Eight SATA drives” on page 152](#)
- [“Six SATA drives and two SATA/NVMe drives” on page 153](#)

### Eight SATA drives





## Six SATA drives and two SATA/NVMe drives



## Six 3.5-inch simple-swap drives with ODD/tape drives

Use this section to understand the cable routing for server models with six 3.5-inch simple-swap drives and ODD/tape drives (software RAID).

### Notes:

- Connections between connectors; **1** ↔ **1**, **2** ↔ **2**, **3** ↔ **3**, ... **n** ↔ **n**
- When routing the cables, ensure that all cables are routed appropriately through the cable guides.

Table 14. Cable routing for six 3.5-inch simple-swap drives

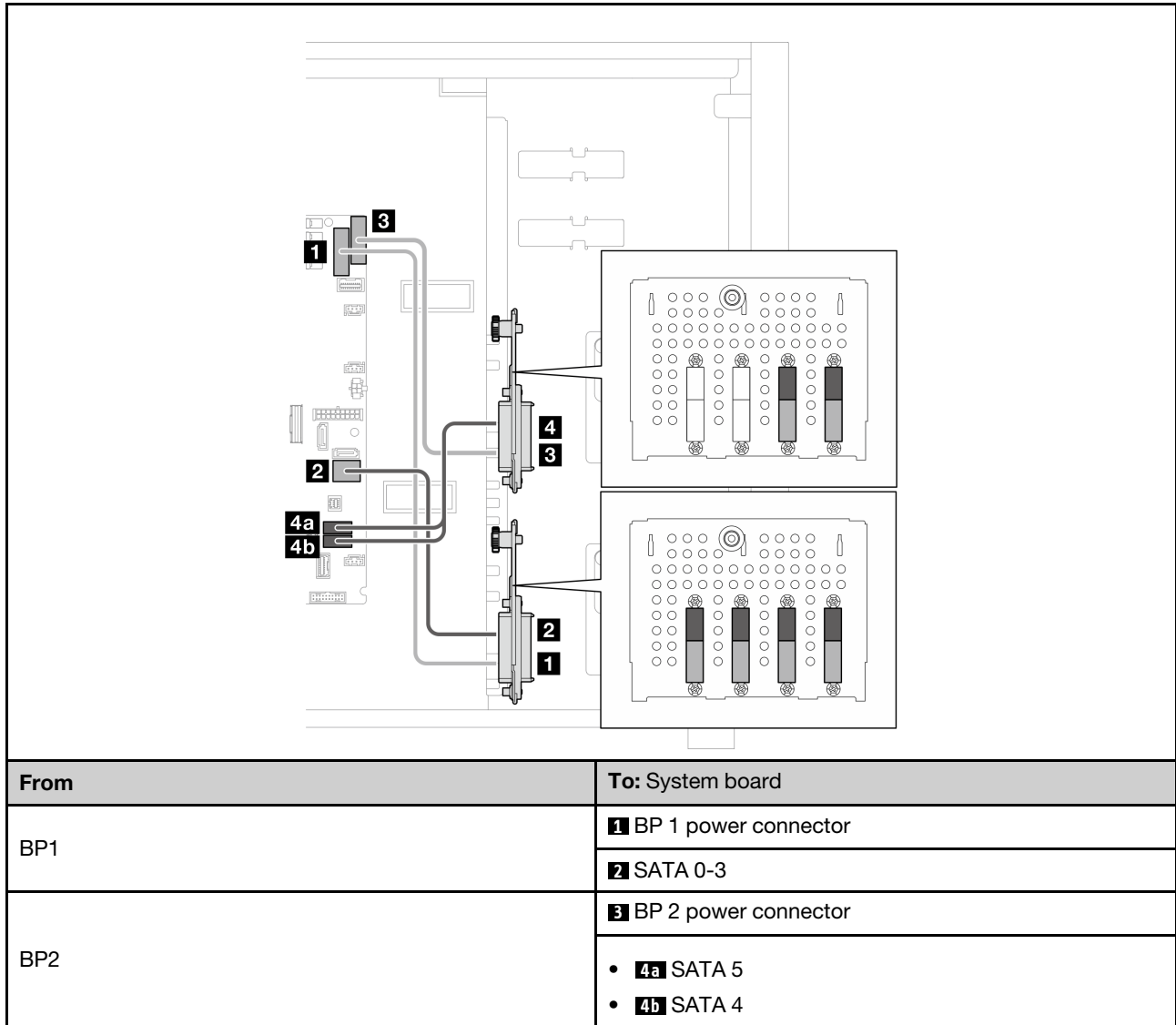
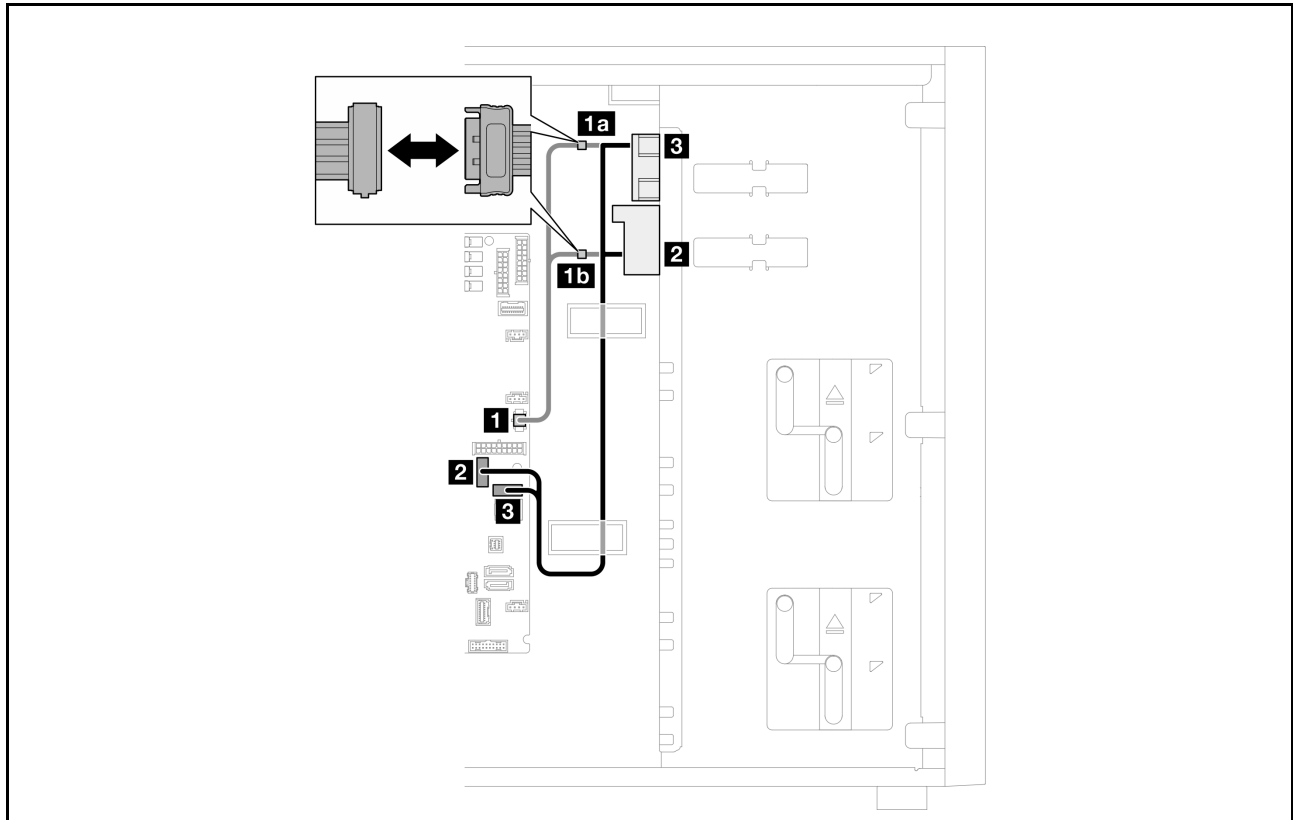


Table 15. Cable routing for optical/tape drives



From	To: System board	Cable
<b>1</b> ODD/Tape drive power connectors	<b>1a 1b</b> ODD/tape drive power connector	2x2 pin to 15pin/15pin, 200 + 100mm
<b>2</b> Lower ODD/Tape drive SATA connector	SATA 6	600/50mm
<b>3</b> Upper ODD/Tape drive SATA connector	SATA 7	

## Hot-swap drives cable routing

Use this section to understand the cable routing for server models with hot-swap drives.

See the configuration that is applied to the server.

- Software RAID
  - [“Four 3.5-inch drives” on page 157](#)
  - [“Eight 3.5-inch drives” on page 159](#)
  - [“Eight 2.5-inch drives” on page 162](#)
- Hardware RAID
  - [“Four 3.5-inch drives with one 8i RAID adapter” on page 158](#)
  - [“Eight 3.5-inch drives with one 8i RAID adapter” on page 161](#)
  - [“Eight 2.5-inch drives with one 8i RAID adapter” on page 163](#)
  - [“Sixteen 2.5-inch drives with one 16i RAID adapter” on page 164](#)
  - [“Sixteen 2.5-inch drives with two 8i RAID adapters” on page 165](#)
  - [“Four 3.5-inch and eight 2.5-inch drives with one 16i RAID adapter” on page 166](#)
  - [“Four 3.5-inch and eight 2.5-inch drives with two 8i RAID adapters” on page 167](#)

### Four 3.5-inch hot-swap drives

Use this section to understand the cable routing for server models with four 3.5-inch hot-swap drives.

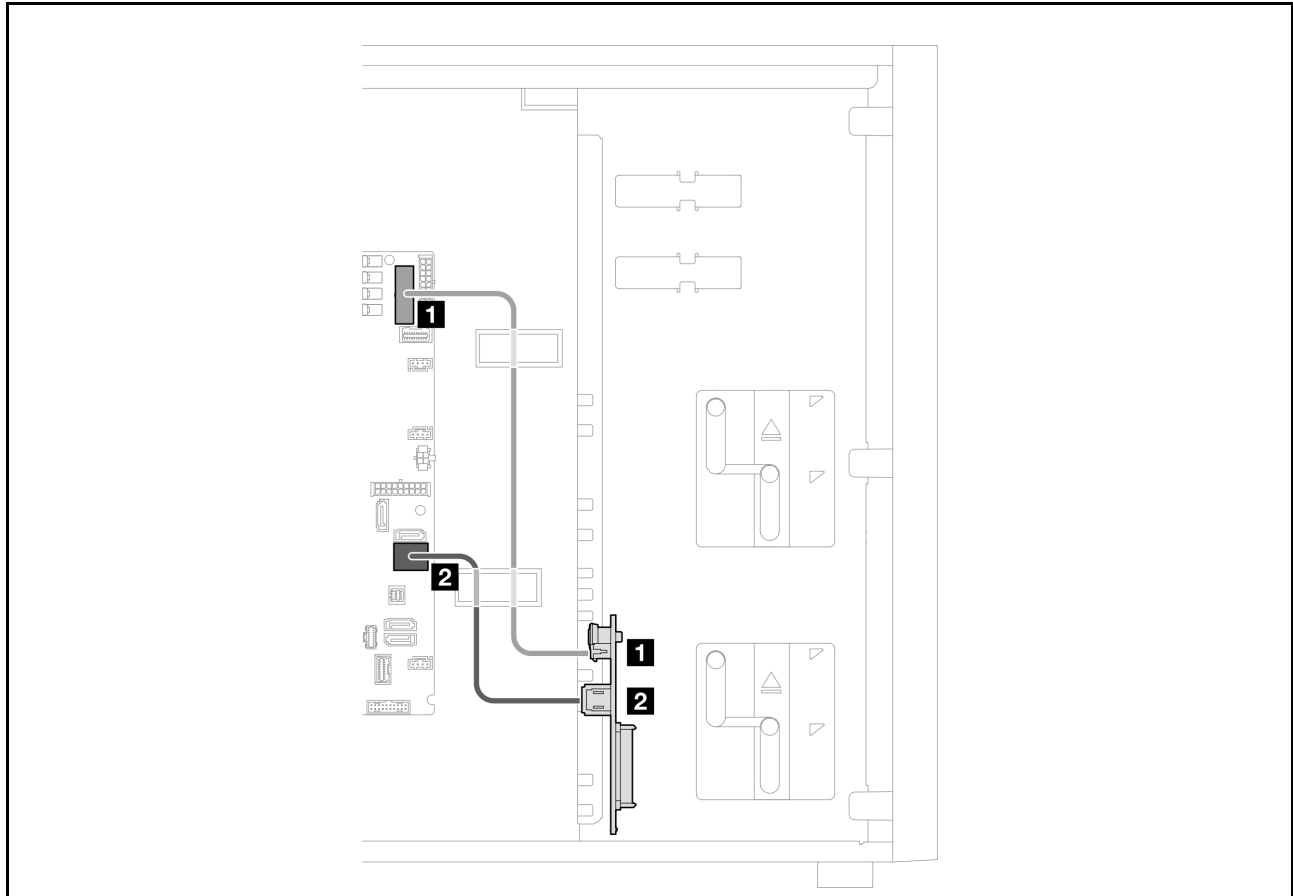
#### Notes:

- Connections between connectors; **1↔1, 2↔2, 3↔3, ... n↔n**
- When routing the cables, ensure that all cables are routed appropriately through the cable guides.

Following are the options available for this configuration:

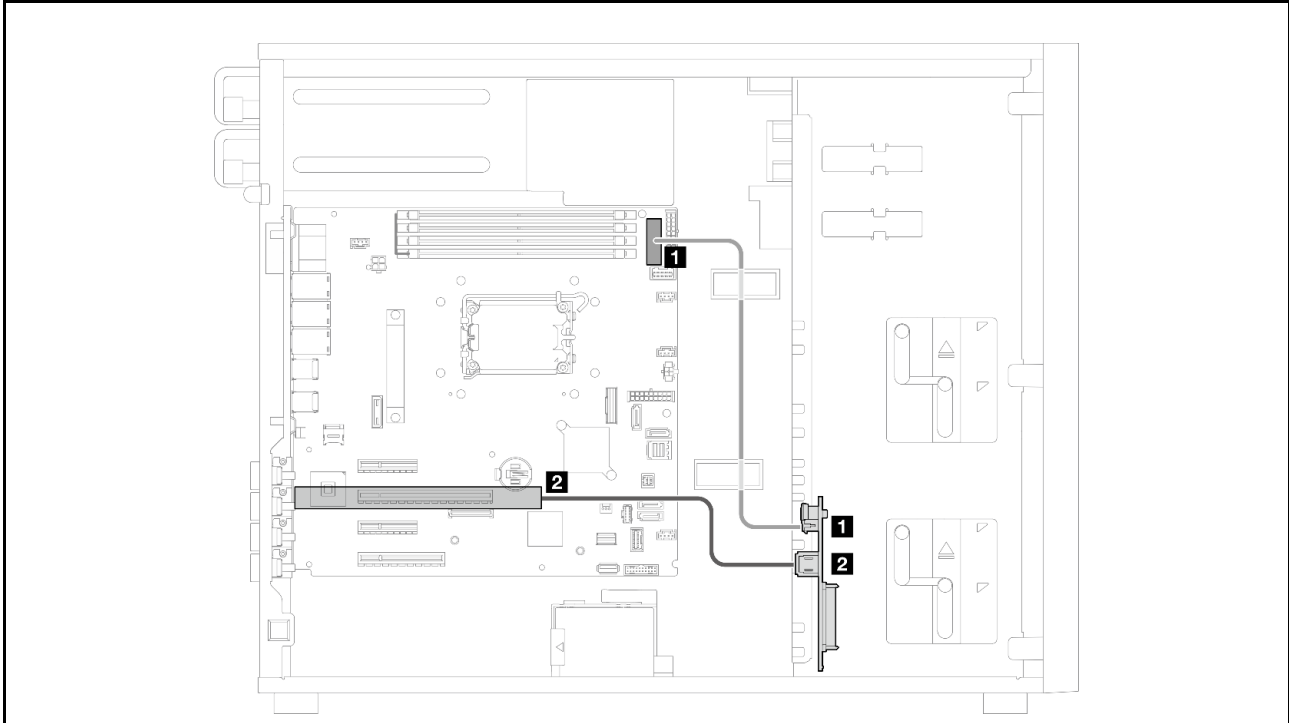
- [“Software RAID” on page 157](#)
- [“8i RAID adapter” on page 158](#)

## Software RAID



From	To: System board	Cable
<b>1</b> BP1 power connector	BP 1 power connector	2x8 pin to 2x6 pin (350mm)
<b>2</b> BP1 SAS/SATA connector	SATA 0-3	300mm

## 8i RAID adapter



From	To	Cable
<b>1</b> BP1 power connector	System board: BP 1 power connector	2x8 pin to 2x6 pin (350mm)
<b>2</b> BP1 SAS/SATA connector	<ul style="list-style-type: none"> <li>• Gen 4: C0</li> <li>• Gen 3: C0</li> </ul>	450mm

## Eight 3.5-inch hot-swap drives

Use this section to understand the cable routing for server models with eight 3.5-inch hot-swap drives.

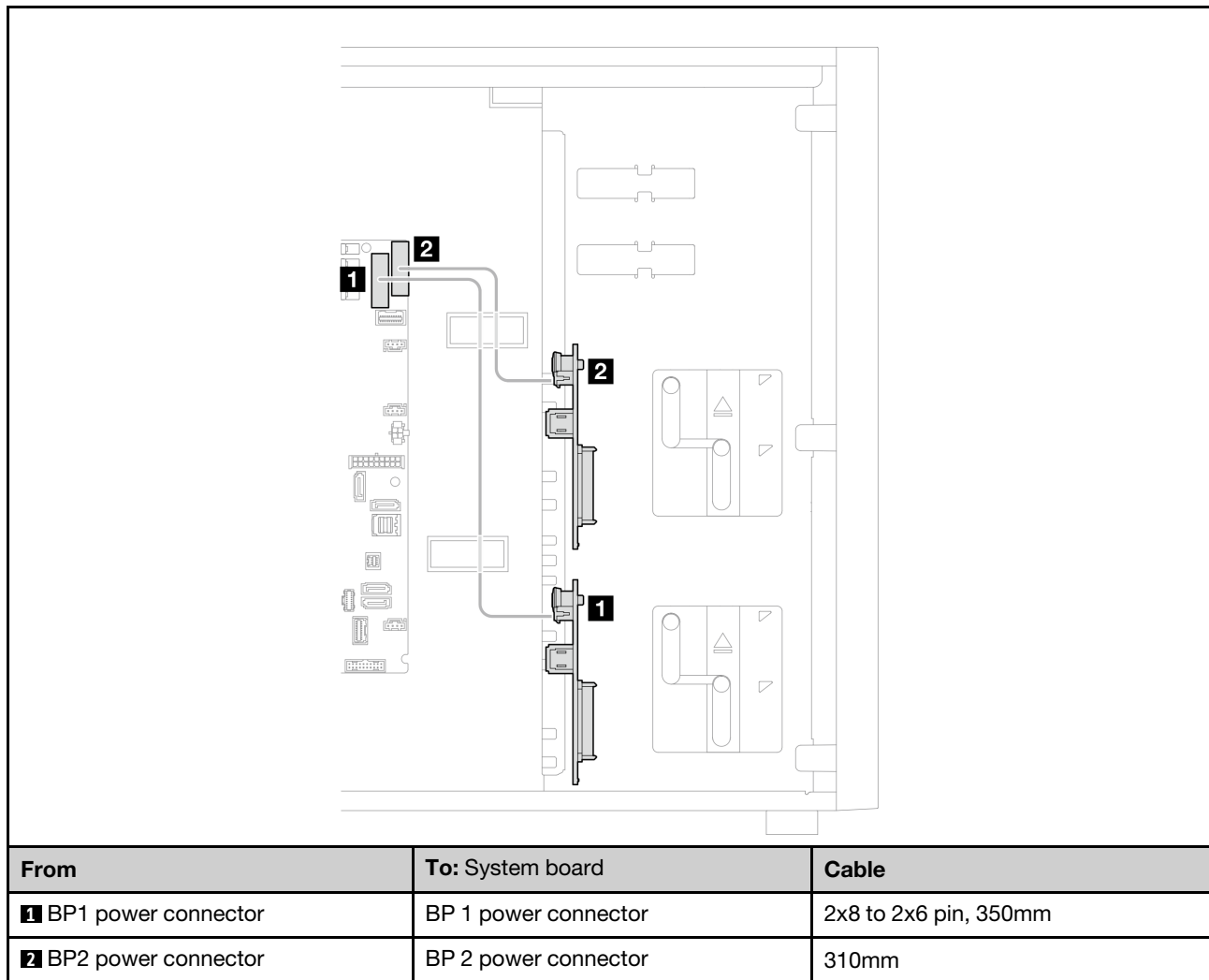
### Notes:

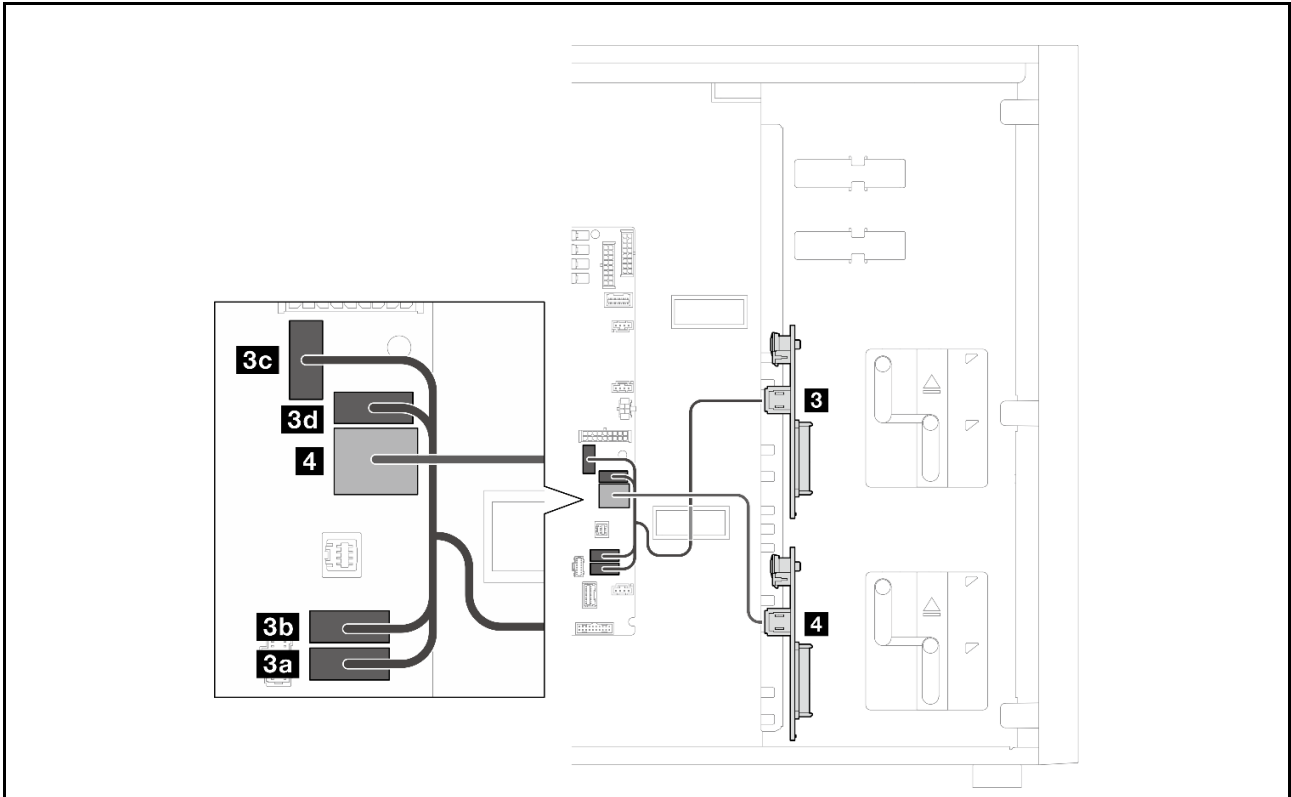
- Connections between connectors: **1↔1**, **2↔2**, **3↔3**, ... **n↔n**
- When routing the cables, ensure that all cables are routed appropriately through the cable guides.

Following are the options available for this configuration:

- [“Software RAID” on page 159](#)
- [“8i RAID adapter” on page 161](#)

### Software RAID

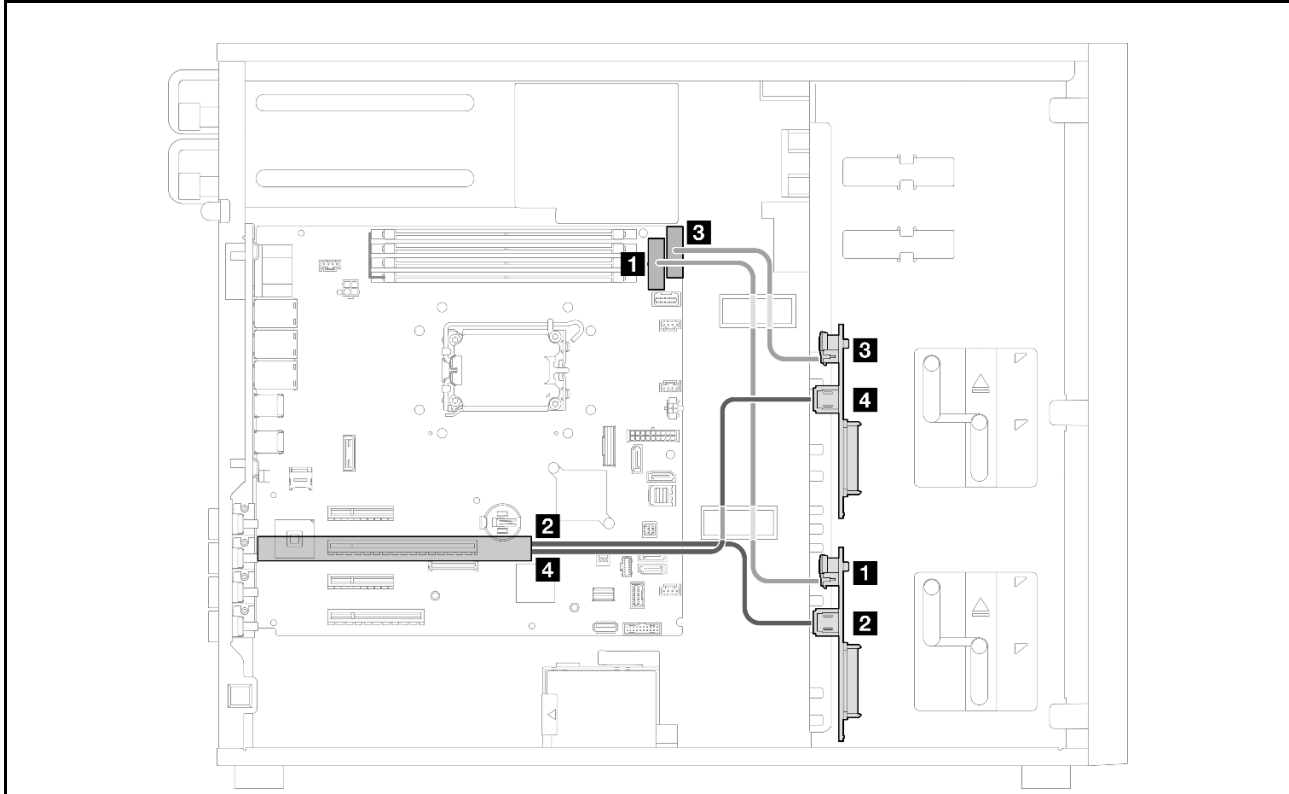




From	To: System board	Cable
<b>3</b> BP2 SAS/SATA connector	<b>3a</b> SATA 4 <b>3b</b> SATA 5 <b>3c</b> SATA 6 <b>3d</b> SATA 7	370/370/350/340/400mm
<b>4</b> BP1 SAS/SATA connector	SATA 0-3	



## 8i RAID adapter



From	To	Cable
<b>1</b> BP1 power connector	System board: BP 1 power connector	2x8 to 2x6 pin, 350 mm
<b>2</b> BP1 SAS/SATA connector	<ul style="list-style-type: none"> <li>• Gen 4: C0</li> <li>• Gen 3: C0</li> </ul>	<ul style="list-style-type: none"> <li>• Gen 4: Y cable, 500/450 mm</li> <li>• Gen 3: 450 mm</li> </ul>
<b>3</b> BP2 power connector	System board: BP 2 power connector	310 mm
<b>4</b> BP2 SAS/SATA connector	<ul style="list-style-type: none"> <li>• Gen 4: C0</li> <li>• Gen 3: C1</li> </ul>	<ul style="list-style-type: none"> <li>• Gen 4: Y cable, 500/450 mm</li> <li>• Gen 3: 500 mm</li> </ul>

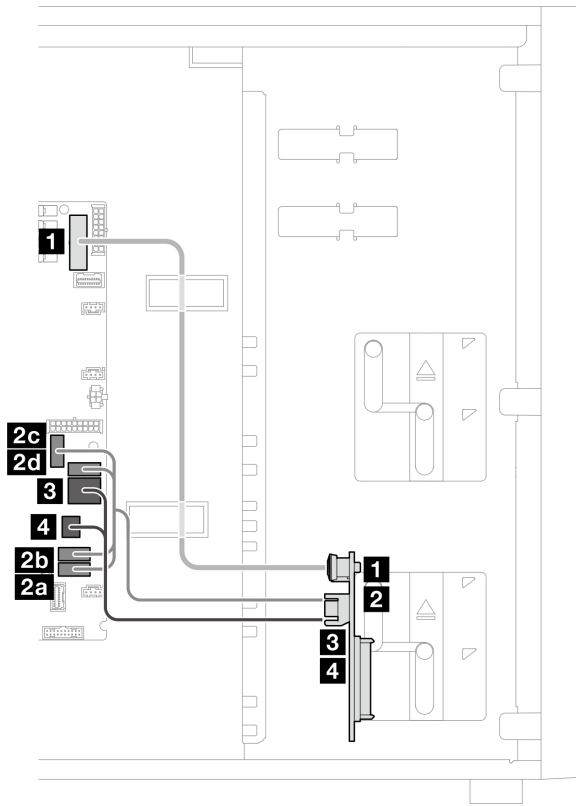
## Eight 2.5-inch hot-swap drives

Use this section to understand the cable routing for server models with eight 2.5-inch hot-swap drives.

### Notes:

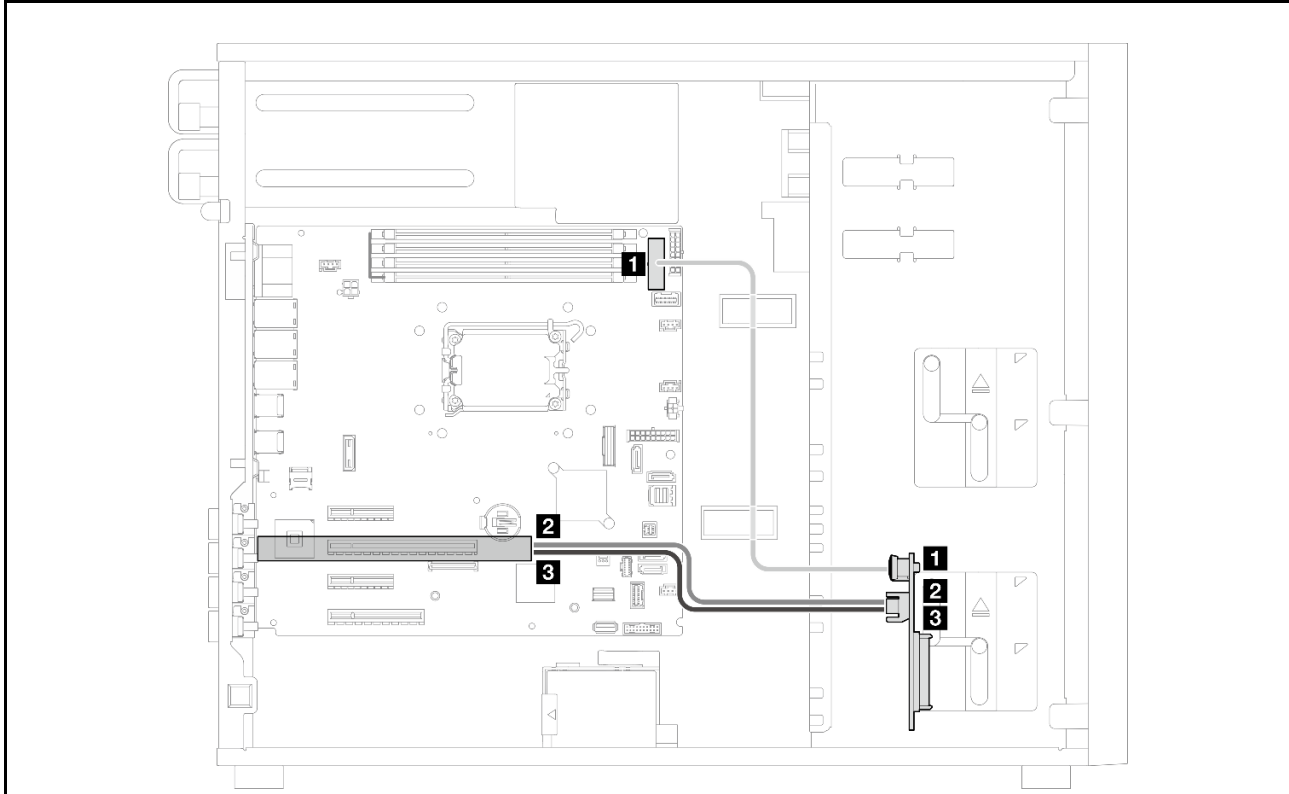
- Connections between connectors: **1 ↔ 1**, **2 ↔ 2**, **3 ↔ 3**, ... **n ↔ n**
- When routing the cables, ensure that all cables are routed appropriately through the cable guides.
- [“Software RAID” on page 162](#)
- [“8i RAID adapter” on page 163](#)

## Software RAID



From	To: System board	Cable
<b>1</b> BP1 power connector	BP 1 power connector	2x8 to 2x8 pin, 350 mm
<b>2</b> BP1 SAS/SATA 1 connector	<ul style="list-style-type: none"> <li>• <b>2a</b> SATA 4</li> <li>• <b>2b</b> SATA 5</li> <li>• <b>2c</b> SATA 6</li> <li>• <b>2d</b> SATA 7</li> </ul>	Mini-SAS HD + 4xSATA + 2x4 pin + SGPIO to Mini-SAS HD*2 (370/370/350/340/360/400)
<b>3</b> BP1 SAS/SATA 0 connector	SATA 0-3	
<b>4</b> BP1	SGPIO1 connector	

## 8i RAID adapter



From	To	Cable
<b>1</b> BP1 power connector	System board:BP 1 power connector	2x8 to 2x8 pin, 350mm
<b>2</b> BP1 SAS/SATA 0 connector	<ul style="list-style-type: none"> <li>• Gen 4: C0</li> <li>• Gen 3: C0</li> </ul>	<ul style="list-style-type: none"> <li>• Gen 4: Y cable, 300/450mm</li> <li>• Gen 3: 450 mm</li> </ul>
<b>3</b> BP1 SAS/SATA 1 connector	<ul style="list-style-type: none"> <li>• Gen 4: C0</li> <li>• Gen 3: C1</li> </ul>	<ul style="list-style-type: none"> <li>• Gen 4: Y cable, 300/450mm</li> <li>• Gen 3: 400mm</li> </ul>

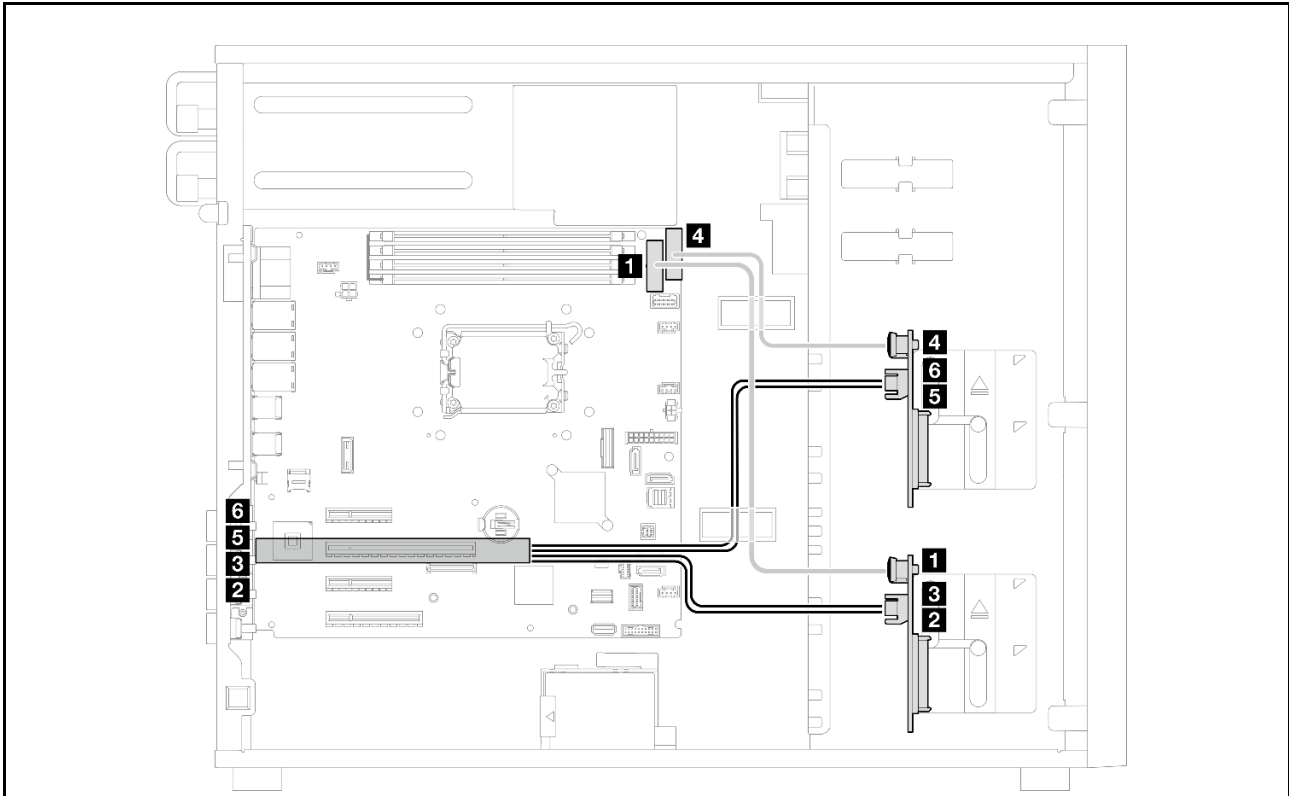
## Sixteen 2.5-inch hot-swap drives

Use this section to understand the cable routing for server models with sixteen 2.5-inch hot-swap drives.

### Notes:

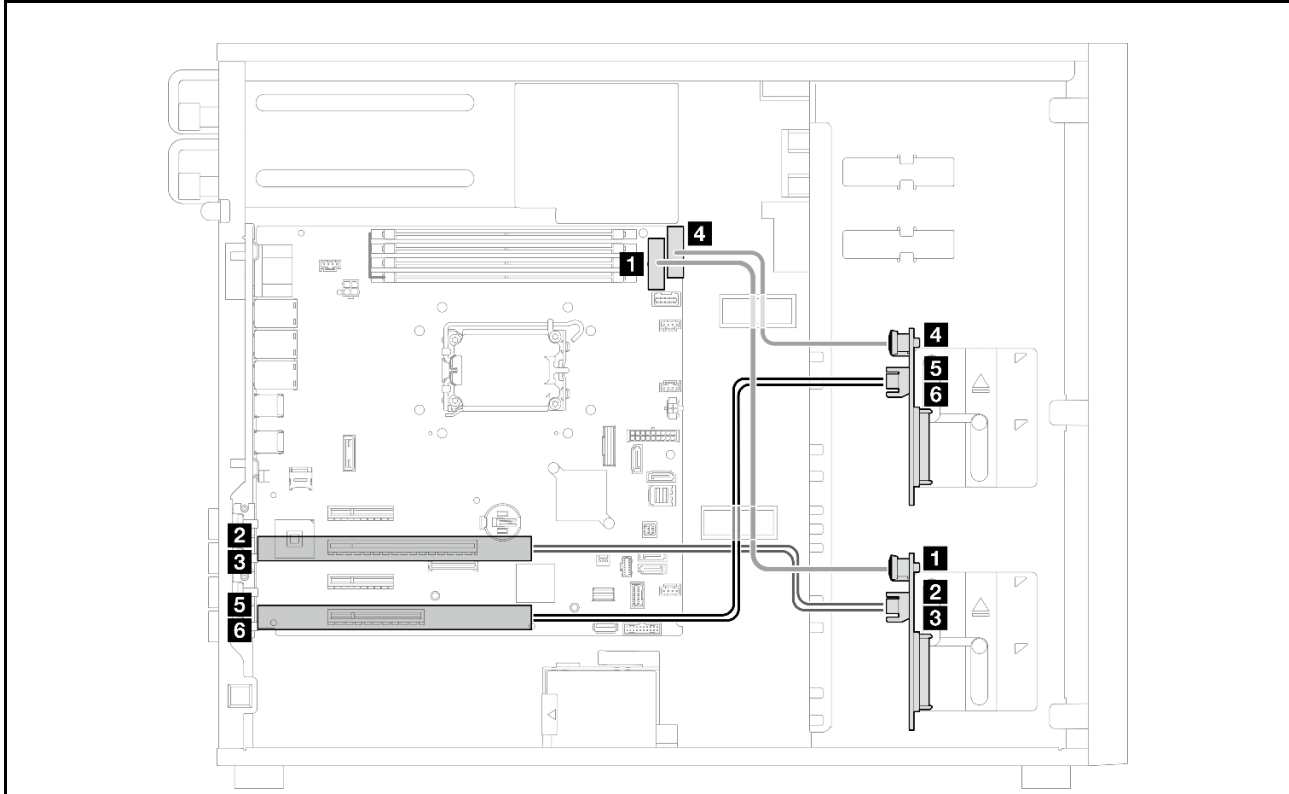
- Connections between connectors; **1 ↔ 1, 2 ↔ 2, 3 ↔ 3, ... n ↔ n**
- When routing the cables, ensure that all cables are routed appropriately through the cable guides.
- [“16i RAID adapter” on page 164](#)
- [“Two 8i RAID adapters” on page 165](#)

## 16i RAID adapter



From	To	Cable
<b>1</b> BP1 power connector	System board: BP 1 power connector	2x8 to 2x6 pin, 350mm
<b>2</b> BP1 SAS/SATA 0 connector	<ul style="list-style-type: none"> <li>Gen 3: C0</li> </ul>	450mm
<b>3</b> BP1 SAS/SATA 1 connector	<ul style="list-style-type: none"> <li>Gen 3: C1</li> </ul>	400mm
<b>4</b> BP2 power connector	System board: BP 2 power connector	230mm
<b>5</b> BP2 SAS/SATA 0 connector	<ul style="list-style-type: none"> <li>Gen 3: C2</li> </ul>	500mm
<b>6</b> BP2 SAS/SATA 1 connector	<ul style="list-style-type: none"> <li>Gen 3: C3</li> </ul>	450mm, with 2.5" SAS1 label

## Two 8i RAID adapters



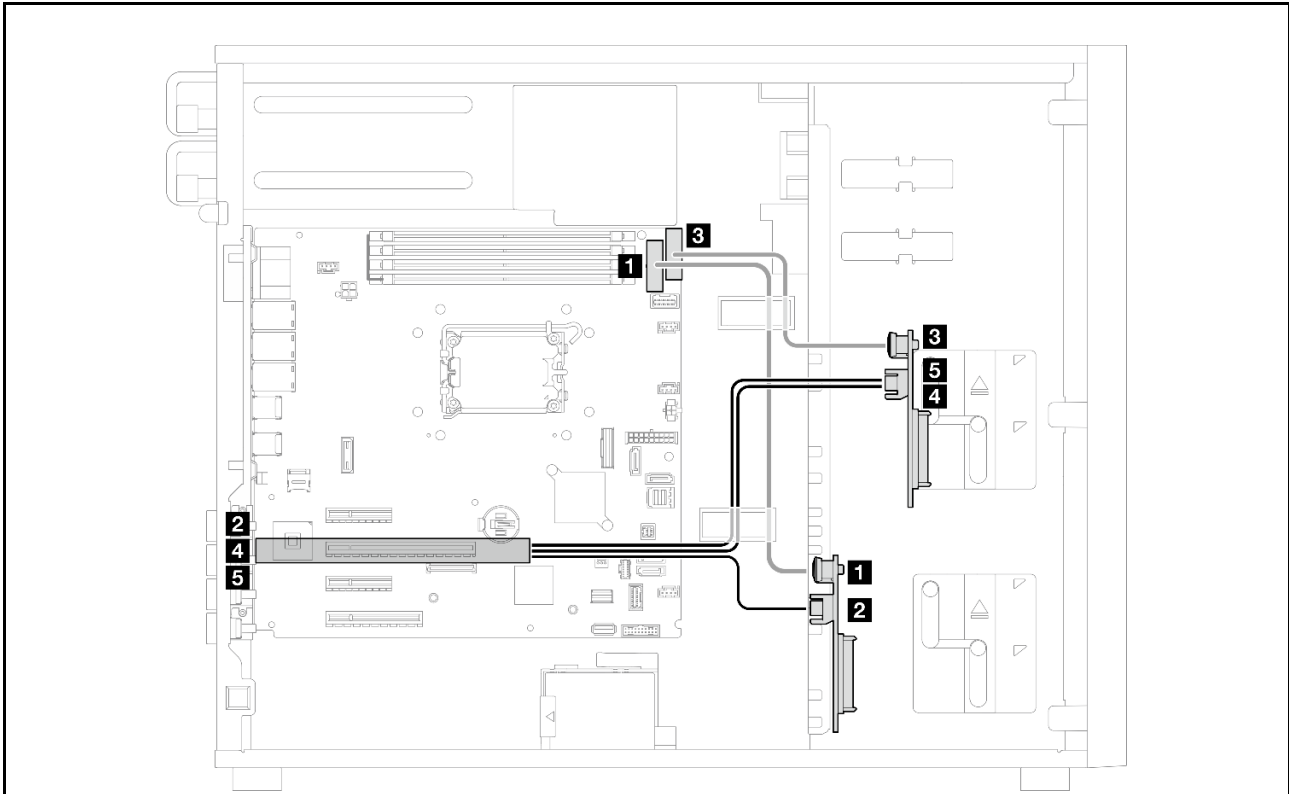
From	To	Cable
<b>1</b> BP1 power connector	System board:BP 1 power connector	2x8 to 2x6 pin, 350mm
<b>2</b> BP1 SAS/SATA 0 connector	<ul style="list-style-type: none"> <li>Gen 3: C0</li> </ul>	450 mm
<b>3</b> BP1 SAS/SATA 1 connector	<ul style="list-style-type: none"> <li>Gen 3: C1</li> </ul>	400 mm
<b>4</b> BP2 power connector	System board: BP 2 power connector	230 mm
<b>5</b> BP2 SAS/SATA 0 connector	<ul style="list-style-type: none"> <li>Gen 3: C0</li> </ul>	500 mm
<b>6</b> BP2 SAS/SATA 1 connector	<ul style="list-style-type: none"> <li>Gen 3: C1</li> </ul>	450 mm, with 2.5" SAS1 label

## Four 3.5-inch and eight 2.5-inch hot-swap drives

Use this section to understand the cable routing for server models with four 3.5-inch and eight 2.5-inch hot-swap drives.

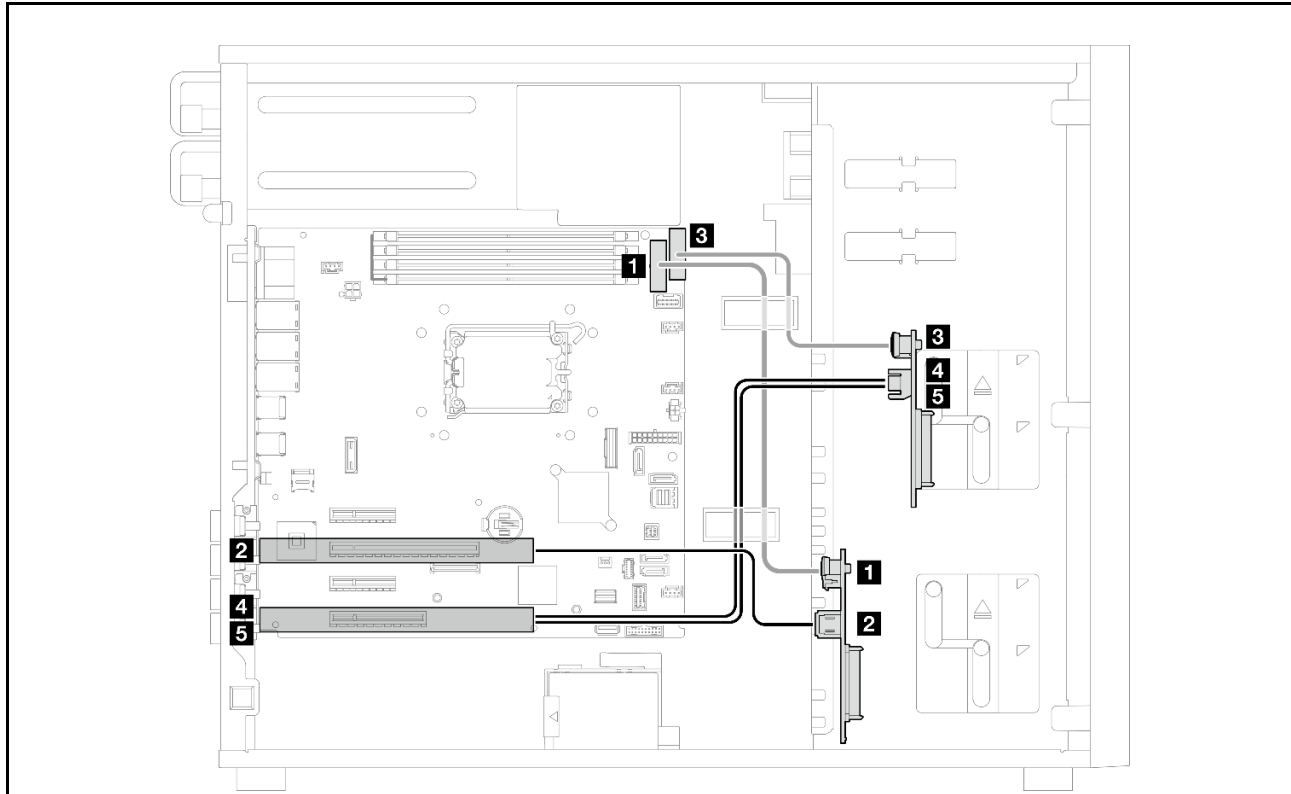
- [“16i RAID adapter” on page 166](#)
- [“Two 8i RAID adapters” on page 167](#)

## 16i RAID adapter



From	To: System board	Cable
<b>1</b> BP1 power connector	System board BP 1 power connector	2x8 to 2x6 pin, 350 mm
<b>2</b> BP1 SAS/SATA connector	<ul style="list-style-type: none"> <li>Gen 3: C0</li> </ul>	450mm
<b>3</b> BP2 power connector	System board BP 2 power connector	230mm
<b>4</b> BP2 SAS/SATA 0 connector	<ul style="list-style-type: none"> <li>Gen 3: C1</li> </ul>	500mm
<b>5</b> BP2 SAS/SATA 1 connector	<ul style="list-style-type: none"> <li>Gen 3: C2</li> </ul>	450mm, with 2.5" SAS1 label

## Two 8i RAID adapters



From	To	Cable
<b>1</b> BP1 power connector	System board: BP 1 power connector	2x8 to 2x6 pin, 350mm
<b>2</b> BP1 SAS/SATA connector	<ul style="list-style-type: none"> <li>Gen 3: C0, slot 2</li> </ul>	450mm
<b>3</b> BP2 power connector	System board: BP 2 power connector	230mm
<b>4</b> BP2 SAS/SATA 0 connector	<ul style="list-style-type: none"> <li>Gen 3: C0, slot 4</li> </ul>	500mm
<b>5</b> BP2 SAS/SATA 1 connector	<ul style="list-style-type: none"> <li>Gen 3: C1, slot 4</li> </ul>	450mm, with 2.5" SAS1 label





---

## Chapter 3. Problem determination

Use the information in this section to isolate and resolve issues that you might encounter while using your server.

Lenovo servers can be configured to automatically notify Lenovo Support if certain events are generated. You can configure automatic notification, also known as Call Home, from management applications, such as the Lenovo XClarity Administrator. If you configure automatic problem notification, Lenovo Support is automatically alerted whenever a server encounters a potentially significant event.

To isolate a problem, you should typically begin with the event log of the application that is managing the server:

- If you are managing the server from the Lenovo XClarity Administrator, begin with the Lenovo XClarity Administrator event log.
- If you are using some other management application, begin with the Lenovo XClarity Controller event log.

### Web resources

- **Tech tips**

Lenovo continually updates the support website with the latest tips and techniques that you can use to solve issues that your server might encounter. These Tech Tips (also called retain tips or service bulletins) provide procedures to work around issues or solve problems related to the operation of your server.

To find the Tech Tips available for your server:

1. Go to <http://datacentersupport.lenovo.com> and navigate to the support page for your server.
2. Click on **How To's** from the navigation pane.
3. Click **Article Type** → **Solution** from the drop-down menu.

Follow the on-screen instructions to choose the category for the problem that you are having.

- **Lenovo Data Center Forum**

- Check [https://forums.lenovo.com/t5/Datacenter-Systems/ct-p/sv\\_eg](https://forums.lenovo.com/t5/Datacenter-Systems/ct-p/sv_eg) to see if someone else has encountered a similar problem.

---

## Event logs

An *alert* is a message or other indication that signals an event or an impending event. Alerts are generated by the Lenovo XClarity Controller or by UEFI in the servers. These alerts are stored in the Lenovo XClarity Controller Event Log. If the server is managed by the Chassis Management Module 2 or by the Lenovo XClarity Administrator, alerts are automatically forwarded to those management applications.

**Note:** For a listing of events, including user actions that might need to be performed to recover from an event, see the *Messages and Codes Reference*, which is available at [https://pubs.lenovo.com/st250-v3/st250\\_v3\\_user\\_guide.pdf](https://pubs.lenovo.com/st250-v3/st250_v3_user_guide.pdf).

### Lenovo XClarity Administrator event log

If you are using Lenovo XClarity Administrator to manage server, network, and storage hardware, you can view the events from all managed devices through the XClarity Administrator.

## Logs

The Event log provides a history of hardware and management conditions that have been detected.

Show: [Error] [Warning] [Info]

All Event Sources [Filter]

All Dates

Severity	Serviceability	Date and Time	System	Event	System Type	Source ID
Warning	Support	Jan 30, 2017, 7:48:07 AM	Chassis114:...	Node Node 08 device	Chassis	Jan 30, 20
Warning	Support	Jan 30, 2017, 7:48:07 AM	Chassis114:...	Node Node 02 device	Chassis	Jan 30, 20
Warning	User	Jan 30, 2017, 7:48:07 AM	Chassis114:...	I/O module IO Module	Chassis	Jan 30, 20
Warning	User	Jan 30, 2017, 7:48:07 AM	Chassis114:...	Node Node 08 incom	Chassis	Jan 30, 20

Figure 104. Lenovo XClarity Administrator event log

For more information about working with events from XClarity Administrator, see:

[https://pubs.lenovo.com/lxca/events\\_vieweventlog](https://pubs.lenovo.com/lxca/events_vieweventlog)

## Lenovo XClarity Controller event log

The Lenovo XClarity Controller monitors the physical state of the server and its components using sensors that measure internal physical variables such as temperature, power-supply voltages, fan speeds, and component status. The Lenovo XClarity Controller provides various interfaces to systems management software and to system administrators and users to enable remote management and control of a server.

The Lenovo XClarity Controller monitors all components of the server and posts events in the Lenovo XClarity Controller event log.

The Event log provides a history of hardware and management conditions that have been detected.

Type: [Error] [Warning] [Info]

All Source All Date

Severity	Source	Event ID	Message	Date
Error	System	0X4000000E00000000	Remote login successful. Login ID: userid from webguis at IP address: 10.104.194.180.	27 Jul 2015, 08:11:04 AM
Warning	System	0X4000000E00000000	Remote login successful. Login ID: userid from webguis at IP address: 10.104.194.180.	27 Jul 2015, 08:11:04 AM
Info	System	0X4000000E00000000	Remote login successful. Login ID: userid from webguis at IP address: 10.104.194.180.	27 Jul 2015, 08:11:04 AM
Info	System	0X4000000E00000000	Remote login successful. Login ID: userid from webguis at IP address: 10.104.194.180.	27 Jul 2015, 08:11:04 AM

Figure 105. Lenovo XClarity Controller event log

For more information about accessing the Lenovo XClarity Controller event log, see:

“Viewing Event Logs” section in the XCC documentation compatible with your server at <https://pubs.lenovo.com/lxcc-overview/>

## Specifications

Summary of the features and specifications of the server. Depending on the model, some features might not be available, or some specifications might not apply.

Refer to the below table for specifications categories and the content of each category.

Specification category	Technical specifications	Mechanical specifications	Environmental specifications
<b>Content</b>	<ul style="list-style-type: none"> <li>• Processor</li> <li>• Memory</li> <li>• M.2 Drive</li> <li>• Storage expansion</li> <li>• Expansion slots</li> <li>• Integrated functions and I/O connectors</li> <li>• Network</li> <li>• Rear button</li> <li>• RAID adapter</li> <li>• Host bus adapter</li> <li>• System fan</li> <li>• Electrical input</li> <li>• Minimal configuration for debugging</li> <li>• Operating systems</li> </ul>	<ul style="list-style-type: none"> <li>• Dimension</li> <li>• Weight</li> </ul>	<ul style="list-style-type: none"> <li>• Heat output</li> <li>• Acoustical noise emissions</li> <li>• Ambient temperature management</li> <li>• Environmental</li> </ul>

## Technical specifications

Summary of the technical specifications of server. Depending on the model, some features might not be available, or some specifications might not apply.

Processor
<ul style="list-style-type: none"> <li>• This server supports one of the following Intel® processors:               <ul style="list-style-type: none"> <li>– Xeon® E</li> <li>– Pentium®</li> </ul> </li> </ul> <p><b>Note:</b> Only the Xeon® E processor supports Intel® Trusted Execution Technology (Intel® TXT) feature.</p> <ul style="list-style-type: none"> <li>• Designed for LGA 1700 socket</li> <li>• Scalable up to 8 cores per socket</li> <li>• Supports TDP up to 95W</li> </ul> <p>For a list of supported processors, see: <a href="http://datacentersupport.lenovo.com">http://datacentersupport.lenovo.com</a>.</p>

## Memory

See for detailed information about memory configuration and setup.

- Minimum: 16 GB
- Maximum: 128 GB
- Slots: four DIMM slots (two channels, two DIMMs per channel)
- Memory module type:
  - TruDDR5 4800MHz UDIMM: 16 GB (1Rx8)
  - TruDDR5 4800MHz UDIMM: 32 GB (2Rx8)

**Note:** Memory operates at up to 4400 MHz, depending on .

For a list of supported memory modules, see: <https://serverproven.lenovo.com>.

## M.2 Drive

Supports up to two SATA M.2 drives of the following drive form factors:

- 42 mm (2242)
- 60 mm (2260)
- 80 mm (2280)
- 110 mm (22110)

Supports the following M.2 drive capacity:

- 240 GB
- 480 GB
- 960 GB (supported only when the ambient temperature is below 30°C)

### Notes:

- When an M.2 adapter is installed, with software RAID, the system supports one of the following storage configuration:
  - Up to four 3.5-inch simple-swap SATA drives
  - Up to four 3.5-inch hot-swap SATA drives
- When an M.2 adapter is installed, 2.5-inch hot-swap SATA drives and optical/tape drives are not supported.

For a list of supported M.2 drives, see: <https://serverproven.lenovo.com>.

## Storage expansion

Available drive bays might vary by model.

- Storage drive bays:
  - 3.5-inch simple-swap drive configurations
    - Eight 3.5-inch drives
      - Bay 0 to 5 support SATA drives
      - Bay 6 to 7 supports one of the following:
        - SATA drive
        - NVMe drive
    - Six 3.5-inch SATA drives
      - Bay 0 to 5 support SATA drives
      - Optical-drive bay 0 (lower bay) supports one of the following:
        - Optical drive
        - Tape drive (RDX or LTO)
      - Optical-drive bay 1 (upper bay) supports one optional optical drive
  - 2.5/3.5-inch hot-swap drive configurations
    - Eight 3.5-inch SAS/SATA drives (Bay 0 to 3 and Bay 4 to 7)
    - Sixteen 2.5-inch SAS/SATA drives (Bay 0 to 7 and Bay 8 to 15)
    - Four 3.5-inch (Bay 0 to 3) and eight 2.5-inch SAS/SATA drives (Bay 4 to 11)
    - Optical/tape drive bays
      - Optical-drive bay 0 (lower bay) supports one of the following:
        - Optical drive
        - Tape drive (RDX or LTO)
      - Optical-drive bay 1 (upper bay) supports one optional optical drive

## Expansion slots

Four PCIe expansion slots are available:

- Slot 1: PCIe Gen4 x4 lane in x4 slot (open-end), TDP 25W, FH/HL
- Slot 2: PCIe Gen5 x16 lane in x16 slot, TDP 75W, FH/HL
- Slot 3: PCIe Gen4 x4 lane in x4 slot (open-end), TDP 25W, FH/HL
- Slot 4: PCIe Gen4 x4 lane in x8 slot, TDP 25W, FH/HL

### Notes:

1. PCIe slot 2 supports one GPU adapter when no other adapter is installed in PCIe slot 3.
2. Broadcom 57414 10/25GbE SFP28 2-port PCIe Ethernet Adapter and Broadcom 57416 10GBASE-T 2-Port PCIe Ethernet Adapter can only be installed in slot 1 or slot 4.
3. PCIe slot 4 supports one M.2 boot adapter.
4. Slot 1 and Slot 3 in the ST250 V3 are open-end design, which means that the slots can accept adapters with a longer edge connector than the physical length of the slot connector. For example, if a x8 adapter is installed in the x4 slot 3 of the server, half of the edge connector will not be connected to the slot. The adapter will still function, however performance will be impacted.

## Graphics processing unit (GPU)

This server supports one GPU adapter in PCIe slot 2.

For a list of supported GPU adapters, see: <https://serverproven.lenovo.com>.

### Integrated functions and I/O connectors

- Lenovo XClarity Controller (XCC), which provides service processor control and monitoring functions, video controller, and remote keyboard, video, mouse, and remote drive capabilities.
  - The server supports Lenovo XClarity Controller 2 (XCC2). For additional information about Lenovo XClarity Controller 2 (XCC2), refer to <https://pubs.lenovo.com/lxcc-overview/>.
- Front I/O module
  - One Lenovo XClarity Controller USB 2.0 connector
  - One USB 3.2 Gen 1 (5 Gb) connector
- Rear panel
  - Four USB 3.2 Gen 1 (5 Gb) connectors
  - Two Ethernet connectors (Ethernet connector 1 shared with Lenovo XClarity Controller network connector)
  - One Lenovo XClarity Controller network connector
  - One Video Graphics Array (VGA) connector
  - One serial connector

### Network

- Two 1 Gbps RJ45 Ethernet connectors
- One 1 Gbps RJ45 Lenovo XClarity Controller network connector

### Rear button

NMI button

### RAID adapter

The following options are available:

- Hardware RAID (RAID level 0, 1, 5, and 10):
  - ThinkSystem RAID 9350-16i 4GB Flash PCIe 12Gb Adapter (with flash power module)
  - ThinkSystem RAID 940-8i Flash PCIe Gen4 12Gb Adapter (with flash power module)
  - ThinkSystem RAID 9350-8i 2GB Flash PCIe 12Gb Adapter (with flash power module)
  - ThinkSystem RAID 5350-8i PCIe 12Gb Adapter
- Software RAID (RAID level 0, 1, 5, and 10):
  - Intel VROC SATA RAID

For a list of supported adapters, see:

<http://datacentersupport.lenovo.com>

### Host bus adapter

- ThinkSystem 4350-8i SAS/SATA 12Gb HBA
- ThinkSystem 440-8e SAS/SATA PCIe Gen4 12Gb HBA

### System fan

This server comes with the following fans:

- One heat sink and fan assembly (80 x 80 x 25 mm)
- Two front system fans for drives (92 x 92 x 25 mm)
- One rear system fan (120 x 120 x 25 mm)

### Electrical input

Depending on your configuration, the server comes with one of the following power supply configurations:

- Supports one fixed power supply:
  - ThinkSystem 500W 230V/115V Platinum Fixed Power Supply v2
  - ThinkSystem 300W 230V/115V Gold Fixed Gen2 Power Supply
- Supports up to two power supplies for redundancy support:
  - 800W 230V/115V Platinum CRPS Power Supply
  - 800W 230V/115V Titanium CRPS Power Supply

**Important:** CRPS power supplies in the chassis must have the same wattage, vendor, and part number (or alternate part number).

#### Notes:

- ThinkSystem ST250 V3 only supports AC input power. **Do not use 240 VDC input.**
- The actual power efficiency depends on system configuration.

### Minimal configuration for debugging

- One processor
- One memory module in slot 3
- One power supply unit
- One drive with RAID adapter and backplane or backplate (if OS is needed for debugging)
- One rear system fan, one heat sink fan, and one front system fan for drives

### Operating systems

Supported and certified operating systems:

- Microsoft Windows Server
- VMware ESXi
- Red Hat Enterprise Linux
- SUSE Linux Enterprise Server

References:

- Complete list of available operating systems: <https://lenovopress.lenovo.com/osig>.
- OS deployment instructions, see “Deploy the operating system” in *User Guide* or *System Configuration Guide*.

## Mechanical specifications

Summary of the mechanical specifications of server. Depending on the model, some features might not be available, or some specifications might not apply.

### Dimension

4U server

- Height: 176 mm (6.93 inches)
- Width: 578 mm (22.76 inches)
- Depth: 444 mm (17.48 inches)

## Weight

- **2.5-inch drive configuration**
  - 20.5 kg (45.19 lb) maximum
- **3.5-inch drive configuration**
  - 22.7 kg (50.04 lb) maximum

## Environmental specifications

Summary of the environmental specifications of server. Depending on the model, some features might not be available, or some specifications might not apply.

### Heat output

Approximate heat output:

- Minimum configuration: 484 BTU per hour (141 watts)
- Maximum configuration : 1397 BTU per hour (409 watts)

### Acoustical noise emissions

The server has the following acoustic noise emissions declaration:

- Sound power level ( $L_{WA,d}$ ):
  - Idling: 4.6 Bel (Typical), 5.1 Bel (Max.)
  - Operating 1: 4.6 Bel (Typical), 5.1 Bel (Max.)
  - Operating 2: 4.8 Bel (Typical), 5.1 Bel (Max.)
- Sound pressure level ( $L_{pAm}$ ):
  - Idling: 30.5 dBA (Typical), 35.9 dBA (Max.)
  - Operating 1: 30.5 dBA (Typical), 35.9 dBA (Max.)
  - Operating 2: 33.2 dBA (Typical), 35.9 dBA (Max.)

#### Notes:

- These sound levels were measured in controlled acoustical environments according to procedures specified by ISO7779 and are reported in accordance with ISO 9296.
- Idle mode is the steady state in which the server is powered on but not operating any intended function. Operating mode 1 is 70% CPU TDP. Operating mode 2 is 100% CPU TDP.
- The declared acoustic sound levels are based on the following configurations, which may change depending on configuration/conditions.
  - Typical: 1x 80W CPU, 1x 16GB DIMM, 2x HDD, 1x 800W GW PSU
  - Max: 1x 95W CPU, 2x 32GB DIMM, 2x HDD , 1x 9350-8i RAID, 1x 10G NIC, 2x 800W GW PSU
- Government regulations (such as those prescribed by OSHA or European Community Directives) may govern noise level exposure in the workplace and may apply to you and your server installation. The actual sound pressure levels in your installation depend upon a variety of factors, including the number of racks in the installation; the size, materials, and configuration of the room; the noise levels from other equipment; the room ambient temperature, and employee's location in relation to the equipment. Further, compliance with such government regulations depends on a variety of additional factors, including the duration of employees' exposure and whether employees wear hearing protection. Lenovo recommends that you consult with qualified experts in this field to determine whether you are in compliance with the applicable regulations.



## Ambient temperature management

Adjust ambient temperature when specific configuration is applied:

- Keep ambient temperature to 45°C or lower when a 60W (or lower) TDP CPU and an 80W heat sink are installed.
- Keep ambient temperature to 40°C or lower when a 70W (or lower) TDP CPU and an 80W heat sink are installed.
- Keep ambient temperature to 35°C or lower when one of the following is installed:
  - 95W (or lower) TDP CPU and a 95W heat sink.
  - 80W (or lower) TDP CPU and an 80W heat sink.
  - GPUs, M.2 drives (480GB or below), U.2 drives, U.3 drives, and 25GbE Ethernet adapters.
  - 3.5-inch drives (20TB or larger capacity).
- Keep ambient temperature to 30°C or lower when an M.2 drive 960GB is installed.

## Environment

ThinkSystem ST250 V3 server complies with ASHRAE Class A2 specifications. Depending on the hardware configurations, some models comply with ASHRAE Class A3 and A4 specifications. System performance may be impacted when operating temperature is outside ASHRAE A2 specification.

- Air temperature:
  - Operating
    - ASHRAE Class A2: 10°C to 35°C (50°F to 95°F); the maximum ambient temperature decreases by 1°C for every 300 m (984 ft) increase in altitude above 900 m (2,953 ft).
    - ASHRAE Class A3: 5°C to 40°C (41°F to 104°F); the maximum ambient temperature decreases by 1°C for every 175 m (574 ft) increase in altitude above 900 m (2,953 ft).
    - ASHRAE Class A4: 5°C to 45°C (41°F to 113°F); the maximum ambient temperature decreases by 1°C for every 125 m (410 ft) increase in altitude above 900 m (2,953 ft).
  - Server off: 5°C to 45°C (41°F to 113°F)
  - Shipment/storage: -40°C to 60°C (-40°F to 140°F)
- Maximum altitude: 3,050 m (10,000 ft)
- Relative Humidity (non-condensing):
  - Operating
    - ASHRAE Class A2: 8% to 80%; maximum dew point: 21°C (70°F)
    - ASHRAE Class A3: 8% to 85%; maximum dew point: 24°C (75°F)
    - ASHRAE Class A4: 8% to 90%; maximum dew point: 24°C (75°F)
  - Shipment/storage: 8% to 90%
- Particulate contamination

**Attention:** Airborne particulates and reactive gases acting alone or in combination with other environmental factors such as humidity or temperature might pose a risk to the server. For information about the limits for particulates and gases, see [“Particulate contamination” on page 177](#).

**Note:** The server is designed for standard data center environment and recommended to be placed in industrial data center.

## Particulate contamination

**Attention:** Airborne particulates (including metal flakes or particles) and reactive gases acting alone or in combination with other environmental factors such as humidity or temperature might pose a risk to the device that is described in this document.

Risks that are posed by the presence of excessive particulate levels or concentrations of harmful gases include damage that might cause the device to malfunction or cease functioning altogether. This specification sets forth limits for particulates and gases that are intended to avoid such damage. The limits must not be viewed or used as definitive limits, because numerous other factors, such as temperature or moisture content of the air, can influence the impact of particulates or environmental corrosives and gaseous contaminant transfer. In the absence of specific limits that are set forth in this document, you must implement practices that maintain particulate and gas levels that are consistent with the protection of human health and safety. If Lenovo determines that the levels of particulates or gases in your environment have

caused damage to the device, Lenovo may condition provision of repair or replacement of devices or parts on implementation of appropriate remedial measures to mitigate such environmental contamination. Implementation of such remedial measures is a customer responsibility.

Table 16. Limits for particulates and gases

Contaminant	Limits
Reactive gases	<p>Severity level G1 as per ANSI/ISA 71.04-1985<sup>1</sup>:</p> <ul style="list-style-type: none"> <li>The copper reactivity level shall be less than 200 Angstroms per month (<math>\text{\AA}/\text{month} \approx 0.0035 \mu\text{g}/\text{cm}^2\text{-hour}</math> weight gain).<sup>2</sup></li> <li>The silver reactivity level shall be less than 200 Angstroms per month (<math>\text{\AA}/\text{month} \approx 0.0035 \mu\text{g}/\text{cm}^2\text{-hour}</math> weight gain).<sup>3</sup></li> <li>The reactive monitoring of gaseous corrosivity must be conducted approximately 5 cm (2 in.) in front of the rack on the air inlet side at one-quarter and three-quarter frame height off the floor or where the air velocity is much higher.</li> </ul>
Airborne particulates	<p>Data centers must meet the cleanliness level of ISO 14644-1 class 8.</p> <p>For data centers without airside economizer, the ISO 14644-1 class 8 cleanliness might be met by choosing one of the following filtration methods:</p> <ul style="list-style-type: none"> <li>The room air might be continuously filtered with MERV 8 filters.</li> <li>Air entering a data center might be filtered with MERV 11 or preferably MERV 13 filters.</li> </ul> <p>For data centers with airside economizers, the choice of filters to achieve ISO class 8 cleanliness depends on the specific conditions present at that data center.</p> <ul style="list-style-type: none"> <li>The deliquescent relative humidity of the particulate contamination should be more than 60% RH.<sup>4</sup></li> <li>Data centers must be free of zinc whiskers.<sup>5</sup></li> </ul>
<p><sup>1</sup> ANSI/ISA-71.04-1985. <i>Environmental conditions for process measurement and control systems: Airborne contaminants</i>. Instrument Society of America, Research Triangle Park, North Carolina, U.S.A.</p> <p><sup>2</sup> The derivation of the equivalence between the rate of copper corrosion growth in the thickness of the corrosion product in <math>\text{\AA}/\text{month}</math> and the rate of weight gain assumes that <math>\text{Cu}_2\text{S}</math> and <math>\text{Cu}_2\text{O}</math> grow in equal proportions.</p> <p><sup>3</sup> The derivation of the equivalence between the rate of silver corrosion growth in the thickness of the corrosion product in <math>\text{\AA}/\text{month}</math> and the rate of weight gain assumes that <math>\text{Ag}_2\text{S}</math> is the only corrosion product.</p> <p><sup>4</sup> The deliquescent relative humidity of particulate contamination is the relative humidity at which the dust absorbs enough water to become wet and promote ionic conduction.</p> <p><sup>5</sup> Surface debris is randomly collected from 10 areas of the data center on a 1.5 cm diameter disk of sticky electrically conductive tape on a metal stub. If examination of the sticky tape in a scanning electron microscope reveals no zinc whiskers, the data center is considered free of zinc whiskers.</p>	

## System-board connectors

The following illustrations show the internal connectors on the system board.

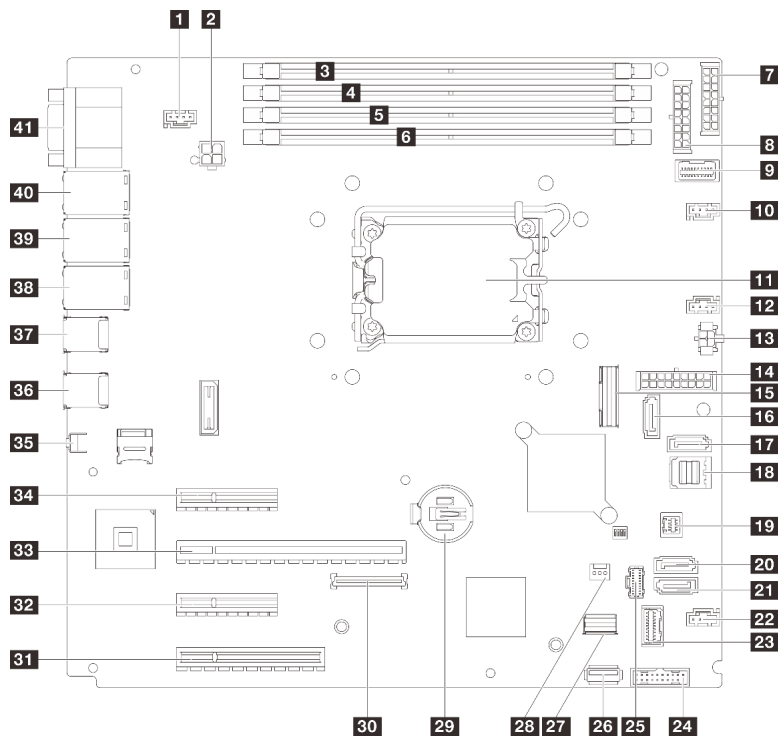


Figure 106. System-board connectors

Table 17. System-board connectors

<b>1</b> SYS_FAN3 connector	<b>22</b> Fan4 connector
<b>2</b> Processor power connector	<b>23</b> Front I/O module connector
<b>3</b> DIMM 1	<b>24</b> Front USB 3.0/2.0 header
<b>4</b> DIMM 2	<b>25</b> M.2 power connector
<b>5</b> DIMM 3	<b>26</b> Internal USB 3.2 Gen1 connector
<b>6</b> DIMM 4	<b>27</b> M.2 signal connector
<b>7</b> BP2 power connector	<b>28</b> Intrusion switch connector
<b>8</b> BP1 power connector	<b>29</b> CMOS battery
<b>9</b> Power distribution board side band connector	<b>30</b> Firmware and RoT security module connector
<b>10</b> Fan1 connector	<b>31</b> PCIe slot 4
<b>11</b> Processor socket	<b>32</b> PCIe slot 3
<b>12</b> Fan2 connector	<b>33</b> PCIe slot 2
<b>13</b> Optical drive power connector	<b>34</b> PCIe slot 1
<b>14</b> System power connector	<b>35</b> NMI button
<b>15</b> Slimline x8 connector	<b>36</b> Two USB 3.2 Gen1 connectors
<b>16</b> SATA 6	<b>37</b> Two USB 3.2 Gen1 connectors
<b>17</b> SATA 7	<b>38</b> Ethernet connector 2
<b>18</b> SATA 0-3	<b>39</b> Ethernet connector 1 (shared with XCC network port)

Table 17. System-board connectors (continued)

<b>19</b> SGPIO1 connector	<b>40</b> XCC network connector
<b>20</b> SATA 5	<b>41</b> Serial connector and VGA connector
<b>21</b> SATA 4	

## Troubleshooting by system LEDs and diagnostics display

See the following section for information on available system LEDs and diagnostics display.

### Drive LEDs

This topic provides information on drive LEDs.

The following table describes the problems that are indicated by drive activity LED and drive status LED.

**Note:** Depending on the configuration, your server might be slightly different from the image.

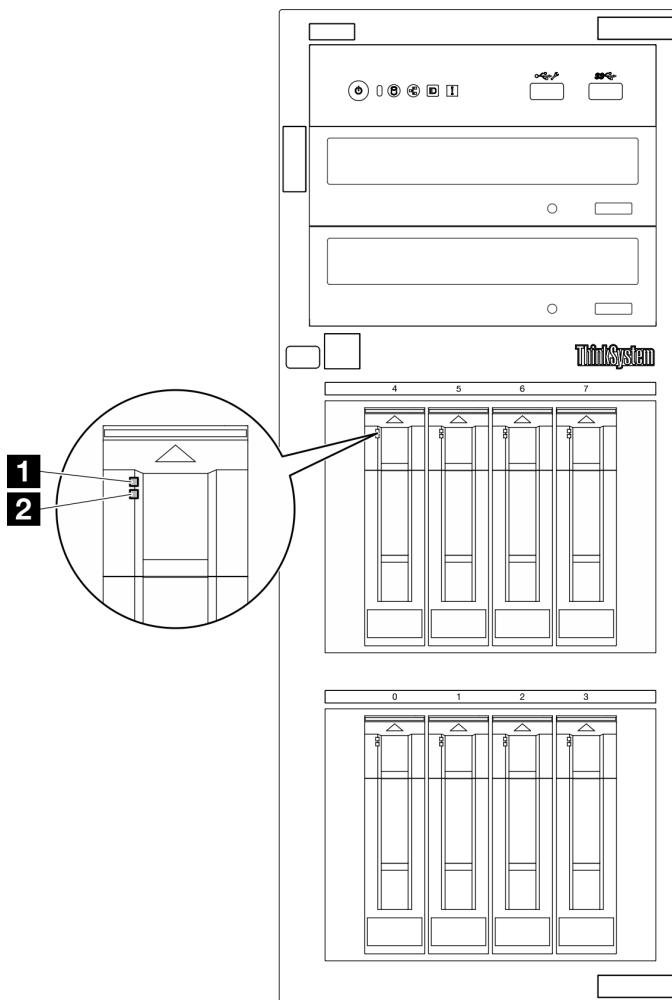


Figure 107. Drive LEDs

LED	Description
<b>1</b> Drive activity LED (green)	Each hot-swap drive comes with an activity LED. When this LED is flashing, it indicates that the drive is in use.
<b>2</b> Drive status LED (yellow)	The drive status LED indicates the following status: <ul style="list-style-type: none"> <li>The LED is lit: the drive has failed.</li> <li>The LED is flashing slowly (once per second): the drive is being rebuilt.</li> <li>The LED is flashing rapidly (three times per second): the drive is being identified.</li> </ul>

## Front I/O modules LEDs

The front I/O module of the server provides controls, connectors, and LEDs.

The following illustrations show the front I/O module for different server models. To locate the front I/O module, see “Server components” in *User Guide* or *System Configuration Guide* for more information.

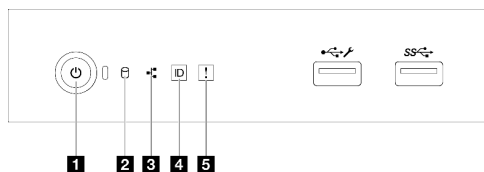


Figure 108. Front I/O module LEDs

Table 18. Front I/O module LEDs

<b>1</b> Power button/LED (green)	<b>4</b> System ID button/LED (blue)
<b>2</b> Drive activity LED (green) <b>Note:</b> For onboard SATA indication only	<b>5</b> System Error LED (yellow)
<b>3</b> Network activity LED (green) <b>Note:</b> For onboard LAN indication only	

### **1** Power button/LED (green)

You can press the power button to turn on the server when you finish setting up the server. You can also hold the power button for several seconds to turn off the server if you cannot turn off the server from the operating system. See for more information. The power status LED helps you determine the current power status.

Status	Color	Description
Solid on	Green	The server is on and running.
Slow blinking (about one flash per second)	Green	The server is off and is ready to be powered on (standby state).
Fast blinking (about four flashes per second)	Green	The server is off, but the XClarity Controller is initializing, and the server is not ready to be powered on.
Off	None	There is no ac power applied to the server.

### **2** Drive activity LED (green)

The drive activity LED helps you to determine the status of the drive activity.

**Note:** The drive activity LED only indicates the activities of drives that are connected to the SATA ports on the system board.

Status	Color	Description
Solid on	Green	The drive is active.
Flashing	Green	The drive is being accessed.
Off	None	The drive is not active.

#### **3 Network activity LED (green)**

The network activity LED helps you identify the network connectivity and activity.

Status	Color	Description
On	Green	The server is connected to a network.
Blinking	Green	The network is connected and active.
Off	None	The server is disconnected from the network.

#### **4 System ID button/LED (blue)**

Use this system ID button and the blue system ID LED to visually locate the server. Each time you press the system ID button, the state of the system ID LED changes. The LED can be changed to on, blinking, or off. You can also use the Lenovo XClarity Controller or a remote management program to change the state of the system ID LED to assist in visually locating the server among other servers.

If the XClarity Controller USB connector is set to have both the USB 2.0 function and XClarity Controller management function, you can press the system ID button for three seconds to switch between the two functions.

#### **5 System error LED (yellow)**

The system error LED provides basic diagnostic functions for your server.

Status	Color	Description	Action
On	Yellow	<p>An error has been detected on the server. Causes might include one or more of the following errors:</p> <ul style="list-style-type: none"> <li>The temperature of the server reached the non-critical temperature threshold.</li> <li>The voltage of the server reached the non-critical voltage threshold.</li> <li>A fan has been detected to be running at low speed.</li> <li>The power supply has a critical error.</li> <li>The power supply is not connected to the power.</li> </ul>	Check system logs or internal error LEDs to identify the failed part.
Off	None	The server is off or the server is on and is working correctly.	None.

## Power supply LEDs

This topic provides information about various power supply LED status and corresponding action suggestions.

The following minimal configuration is required for the server to start:

- One processor
- One memory module in slot 3
- One power supply unit
- One drive with RAID adapter and backplane or backplate (if OS is needed for debugging)
- One rear system fan, one heat sink fan, and one front system fan for drives

### CRPS power supply LED

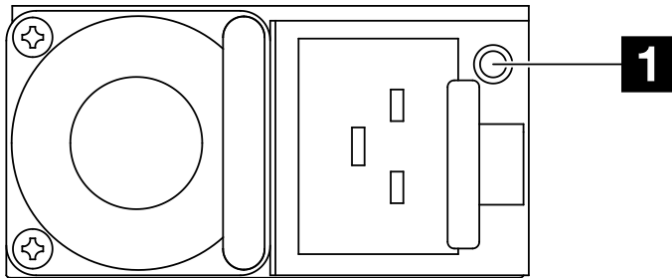


Figure 109. CRPS Power supply LED

LED	Description
<b>1</b> Power supply status	<p>The power supply status LED can be in one of the following states:</p> <ul style="list-style-type: none"><li>• Green: The power supply is connected to the AC power source and working normally.</li><li>• Off: The power supply is disconnected from the AC power source.</li><li>• Slow blinking green (about one flash every second): The power supply is in PSU standby state with AC present, cold standby state, or always standby state.</li><li>• Amber: The AC power cord is unplugged, AC power lost (with a second power supply in parallel still in AC power input power), or power supply has failed. To resolve the issue, replace the power supply.</li><li>• Slow blinking amber (about one flash every second): Power supply warning events where the power supply continues to operate.</li><li>• Fast blinking green (about 2 flashes each second): Power supply firmware updating.</li></ul>

## System-board LEDs

The following illustrations show the light-emitting diodes (LEDs) on the system board.

Press the power button to light the LEDs on the system board when the power source has been removed from the server.

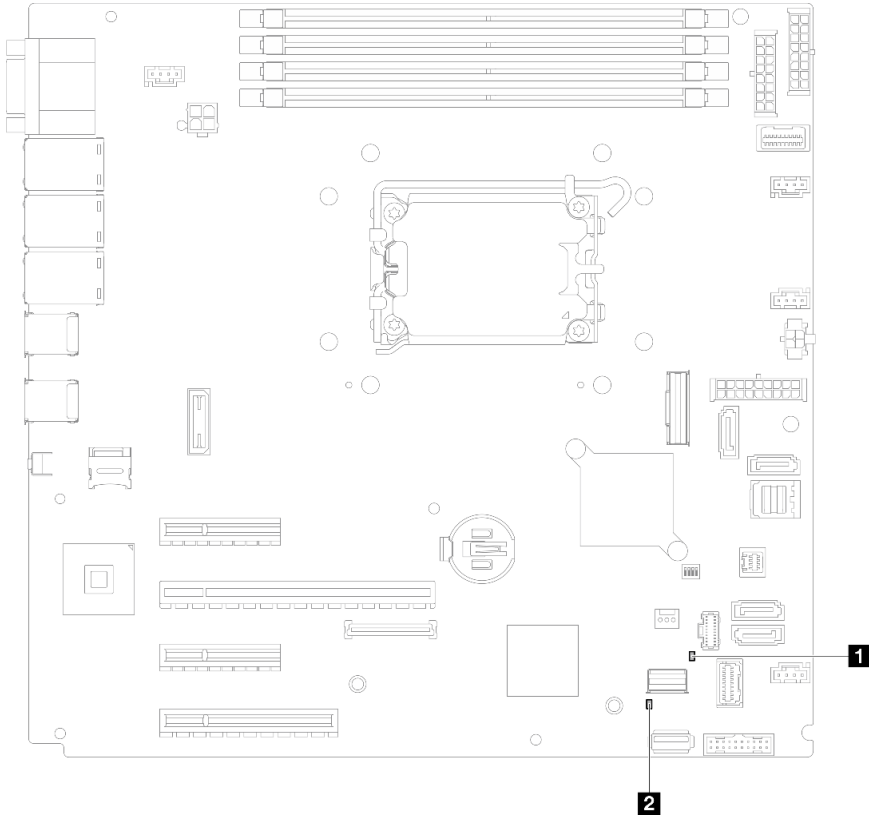


Figure 110. System-board LEDs

Table 19. System board LEDs description and actions

LED	Description and actions
<p><b>1</b> System error LED (yellow)</p>	<p>An error has been detected on the server. Causes might include one or more of the following errors:</p> <ul style="list-style-type: none"> <li>• The temperature of the server reached the non-critical temperature threshold.</li> <li>• The voltage of the server reached the non-critical voltage threshold.</li> <li>• A fan has been detected to be running at low speed.</li> <li>• The power supply has a critical error.</li> <li>• The power supply is not connected to the power.</li> </ul> <p>Complete the following steps:</p> <p>Check system logs or internal error LEDs to identify the failed part.</p>
<p><b>2</b> System power LED (green)</p>	<p>The states of the system power LED are as follows:</p> <ul style="list-style-type: none"> <li>• <b>Off:</b> No power supply is properly installed, or the LED itself has failed.</li> <li>• <b>Flashing rapidly (four times per second):</b> The server is turned off and is not ready to be turned on. The power-control button is disabled. This will last approximately 5 to 10 seconds.</li> <li>• <b>Flashing slowly (once per second):</b> The server is turned off and is ready to be turned on. Press the power-control button to turn on the server.</li> <li>• <b>On:</b> The server is turned on.</li> </ul>



## Firmware and RoT security module LEDs

The following illustrations show the light-emitting diodes (LEDs) on the ThinkSystem V3 Firmware and Root of Trust Security Module (Firmware and RoT Security Module).

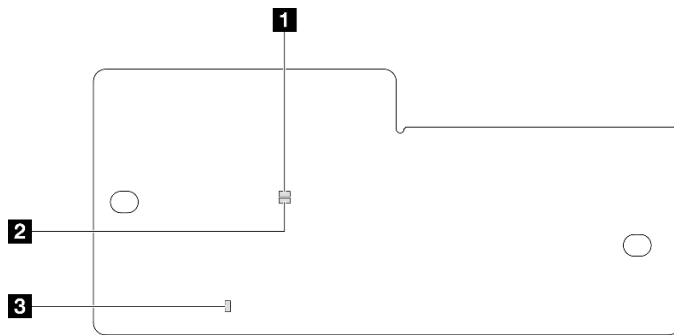


Figure 111. LEDs on the firmware and RoT security module

<b>1</b> AP0 LED (Green)	<b>2</b> AP1 LED (Green)	<b>3</b> Fatal Error LED (Amber)
--------------------------	--------------------------	----------------------------------

Table 20. LEDs description

Scenario	AP0 LED	AP1 LED	Fatal Error LED	Actions
RoT security module fatal firmware failure	Off	Off	On	Replace the firmware and RoT security module.
	Blink	N/A	On	
No system power (FPGA heartbeat LED off)	Off	Off	Off	If the AC power is on, but the system board does not have power, then: <ol style="list-style-type: none"> <li>1. Check the power supply unit (PSU) or power distribution board. If the PSU or power distribution board has any error, replace it.</li> <li>2. If the PSU or power distribution board is good, replace the system board.</li> </ol>
XCC firmware recoverable error	Blink	N/A	Off	Information only. No action is required.
XCC firmware is recovered from error	On	N/A	Off	
UEFI firmware authentication failure	N/A	Blink	Off	
UEFI firmware is recovered from authentication failure	N/A	On	Off	
System is OK (FPGA heartbeat LED is On)	On	On	Off	

## XCC system management port (10/100/1000 Mbps RJ-45) LEDs

This topic provides information on LEDs of XCC system management port (10/100/1000 Mbps RJ-45) and Ethernet port.

The following table describes the problems that are indicated by LEDs on XCC system management port (10/100/1000 Mbps RJ-45) and Ethernet port.

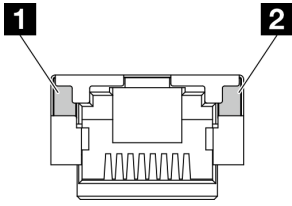


Figure 112. XCC system management port and Ethernet port LEDs

LED	Description
<b>1</b> XCC system management port (10/100/1000 Mbps RJ-45) link LED	Use this green LED to distinguish the network connectivity status: <ul style="list-style-type: none"> <li>• Off: The network link is disconnected.</li> <li>• Green: The network link is established.</li> </ul>
<b>2</b> XCC system management port (10/100/1000 Mbps RJ-45) activity LED	Use this green LED to distinguish the network activity status: <ul style="list-style-type: none"> <li>• Off: The server is disconnected from a LAN.</li> <li>• Green: The network is connected and active.</li> </ul>

## General problem determination procedures

Use the information in this section to resolve problems if the event log does not contain specific errors or the server is inoperative.

If you are not sure about the cause of a problem and the power supplies are working correctly, complete the following steps to attempt to resolve the problem:

1. Power off the server.
2. Make sure that the server is cabled correctly.
3. Remove or disconnect the following devices if applicable, one at a time, until you find the failure. Power on and configure the server each time you remove or disconnect a device.
  - Any external devices.
  - Surge-suppressor device (on the server).
  - Printer, mouse, and non-Lenovo devices.
  - Each adapter.
  - Hard disk drives.
  - Memory modules until you reach the minimal configuration for debugging that is supported for the server.

To determine the minimal configuration for your server, see “Minimal configuration for debugging” in [“Technical specifications” on page 171](#).

4. Power on the server.

If the problem is solved when you remove an adapter from the server, but the problem recurs when you install the same adapter again, suspect the adapter. If the problem recurs when you replace the adapter with a different one, try a different PCIe slot.

If the problem appears to be a networking problem and the server passes all system tests, suspect a network cabling problem that is external to the server.

## Resolving suspected power problems

Power problems can be difficult to solve. For example, a short circuit can exist anywhere on any of the power distribution buses. Usually, a short circuit will cause the power subsystem to shut down because of an overcurrent condition.

Complete the following steps to diagnose and resolve a suspected power problem.

Step 1. Check the event log and resolve any errors related to the power.

**Note:** Start with the event log of the application that is managing the server. For more information about event logs, see [“Event logs” on page 169](#).

Step 2. Check for short circuits, for example, if a loose screw is causing a short circuit on a circuit board.

Step 3. Remove the adapters and disconnect the cables and power cords to all internal and external devices until the server is at the minimal configuration for debugging that is required for the server to start. To determine the minimal configuration for your server, see [“Minimal configuration for debugging” in “Technical specifications” on page 171](#).

Step 4. Reconnect all AC power cords and turn on the server. If the server starts successfully, reseal the adapters and devices one at a time until the problem is isolated.

If the server does not start from the minimal configuration, replace the components in the minimal configuration one at a time until the problem is isolated.

## Resolving suspected Ethernet controller problems

The method that you use to test the Ethernet controller depends on which operating system you are using. See the operating-system documentation for information about Ethernet controllers, and see the Ethernet controller device-driver readme file.

Complete the following steps to attempt to resolve suspected problems with the Ethernet controller.

Step 1. Make sure that the correct device drivers, which come with the server are installed and that they are at the latest level.

Step 2. Make sure that the Ethernet cable is installed correctly.

- The cable must be securely attached at all connections. If the cable is attached but the problem remains, try a different cable.
- If you set the Ethernet controller to operate at 100 Mbps or 1000 Mbps, you must use Category 5 cabling.

Step 3. Determine whether the hub supports auto-negotiation. If it does not, try configuring the integrated Ethernet controller manually to match the speed and duplex mode of the hub.

Step 4. Check the Ethernet controller LEDs on the server. These LEDs indicate whether there is a problem with the connector, cable, or hub.

Ethernet controller LED locations are specified in [“Troubleshooting by system LEDs and diagnostics display” on page 180](#).

- The Ethernet link status LED is lit when the Ethernet controller receives a link pulse from the hub. If the LED is off, there might be a defective connector or cable or a problem with the hub.
- The Ethernet transmit/receive activity LED is lit when the Ethernet controller sends or receives data over the Ethernet network. If the Ethernet transmit/receive activity is off, make sure that the hub and network are operating and that the correct device drivers are installed.

Step 5. Check the Network activity LED on the server. The Network activity LED is lit when data is active on the Ethernet network. If the Network activity LED is off, make sure that the hub and network are operating and that the correct device drivers are installed.

Network activity LED location is specified in [“Troubleshooting by system LEDs and diagnostics display” on page 180](#).

Step 6. Check for operating-system-specific causes of the problem, and also make sure that the operating system drivers are installed correctly.

Step 7. Make sure that the device drivers on the client and server are using the same protocol.

If the Ethernet controller still cannot connect to the network but the hardware appears to be working, the network administrator must investigate other possible causes of the error.

---

## Troubleshooting by symptom

Use this information to find solutions to problems that have identifiable symptoms.

To use the symptom-based troubleshooting information in this section, complete the following steps:

1. Check the event log of the application that is managing the server and follow the suggested actions to resolve any event codes.
  - If you are managing the server from the Lenovo XClarity Administrator, begin with the Lenovo XClarity Administrator event log.
  - If you are using some other management application, begin with the Lenovo XClarity Controller event log.

For more information about event logs (see [“Event logs” on page 169](#)).

2. Review this section to find the symptoms that you are experiencing and follow the suggested actions to resolve the issue.
3. If the problem persists, contact support (see [“Contacting Support” on page 207](#)).

## Intermittent problems

Use this information to solve intermittent problems.

- [“Intermittent external device problems” on page 188](#)
- [“Intermittent KVM problems” on page 189](#)
- [“Intermittent unexpected reboots” on page 189](#)

### Intermittent external device problems

Complete the following steps until the problem is solved.

1. Update the UEFI and XCC firmware to the latest versions.
2. Make sure that the correct device drivers are installed. See the manufacturer's website for documentation.
3. For a USB device:
  - a. Make sure that the device is configured correctly.

Restart the server and press the key according to the on-screen instructions to display the LXPM system setup interface. (For more information, see the “Startup” section in the LXPM documentation compatible with your server at <https://pubs.lenovo.com/lxpm-overview/>.) Then, click **System Settings** → **Devices and I/O Ports** → **USB Configuration**.

- b. Connect the device to another port. If using a USB hub, remove the hub and connect the device directly to the server. Make sure that the device is configured correctly for the port.

## Intermittent KVM problems

Complete the following steps until the problem is solved.

### Video problems:

1. Make sure that all cables and the console breakout cable are properly connected and secure.
2. Make sure that the monitor is working properly by testing it on another server.
3. Test the console breakout cable on a working server to ensure that it is operating properly. Replace the console breakout cable if it is defective.

### Keyboard problems:

Make sure that all cables and the console breakout cable are properly connected and secure.

### Mouse problems:

Make sure that all cables and the console breakout cable are properly connected and secure.

## Intermittent unexpected reboots

**Note:** Some uncorrectable errors require that the server reboot so that it can disable a device, such as a memory DIMM or a processor to allow the machine to boot up properly.

1. If the reset occurs during POST and the POST watchdog timer is enabled, make sure that sufficient time is allowed in the watchdog timeout value (POST Watchdog Timer).

To check the POST watchdog time, restart the server and press the key according to the on-screen instructions to display the LXPM system setup interface. (For more information, see the “Startup” section in the LXPM documentation compatible with your server at <https://pubs.lenovo.com/lxpm-overview/>.) Then, click **BMC Settings** → **POST Watchdog Timer**.

2. If the reset occurs after the operating system starts, do one of the followings:
  - Enter the operating system when the system operates normally and set up operating system kernel dump process (Windows and Linux base operating systems will be using different method). Enter the UEFI setup menus and disable the feature, or disable it with the following OneCli command.  
`OneCli.exe config set SystemRecovery.RebootSystemOnNMI Disable --bmc XCC_USER:XCC_PASSWORD@XCC_IPAddress`
  - Disable any automatic server restart (ASR) utilities, such as the Automatic Server Restart IPMI Application for Windows, or any ASR devices that are installed.
3. See the management controller event log to check for an event code that indicates a reboot. See “[Event logs](#)” on page 169 for information about viewing the event log. If you are using Linux base operating system, then capture all logs back to Lenovo support for further investigation.

## Keyboard, mouse, KVM switch or USB-device problems

Use this information to solve problems related to a keyboard, mouse, KVM switch or USB-device problems.

- “[All or some keys on the keyboard do not work](#)” on page 189
- “[Mouse does not work](#)” on page 190
- “[KVM switch problems](#)” on page 190
- “[USB-device does not work](#)” on page 190

### All or some keys on the keyboard do not work

1. Make sure that:
  - The keyboard cable is securely connected.
  - The server and the monitor are turned on.

2. If you are using a USB keyboard, run the Setup utility and enable keyboardless operation.
3. If you are using a USB keyboard and it is connected to a USB hub, disconnect the keyboard from the hub and connect it directly to the server.
4. Replace the keyboard.

### Mouse does not work

1. Make sure that:
  - The mouse cable is securely connected to the server.
  - The mouse device drivers are installed correctly.
  - The server and the monitor are turned on.
  - The mouse option is enabled in the Setup utility.
2. If you are using a USB mouse and it is connected to a USB hub, disconnect the mouse from the hub and connect it directly to the server.
3. Replace the mouse.

### KVM switch problems

1. Make sure that the KVM switch is supported by your server.
2. Make sure that the KVM switch is powered on correctly.
3. If the keyboard, mouse or monitor can be operated normally with direct connection to the server, then replace the KVM switch.

### USB-device does not work

1. Make sure that:
  - The correct USB device driver is installed.
  - The operating system supports USB devices.
2. Make sure that the USB configuration options are set correctly in system setup.

Restart the server and press the key according to the on-screen instructions to display the LXPM system setup interface. (For more information, see the “Startup” section in the LXPM documentation compatible with your server at <https://pubs.lenovo.com/lxpm-overview/>.) Then, click **System Settings → Devices and I/O Ports → USB Configuration**.

3. If you are using a USB hub, disconnect the USB device from the hub and connect it directly to the server.

## Memory problems

See this section to resolve issues related to memory.

### Common memory problems

- [“Multiple memory modules in a channel identified as failing” on page 190](#)
- [“Displayed system memory is less than installed physical memory” on page 191](#)
- [“Invalid memory population detected” on page 192](#)

### Multiple memory modules in a channel identified as failing

**Note:** Each time you install or remove a memory module, you must disconnect the server from the power source; then, wait 10 seconds before restarting the server.

Complete the following procedure to solve the problem.

1. Reseat the memory modules; then, restart the server.
2. Remove the highest-numbered memory module of those that are identified and replace it with an identical known good memory module; then, restart the server. Repeat as necessary. If the failures continue after all identified memory modules are replaced, go to step 4.
3. Return the removed memory modules, one at a time, to their original connectors, restarting the server after each memory module, until a memory module fails. Replace each failing memory module with an identical known good memory module, restarting the server after each memory module replacement. Repeat step 3 until you have tested all removed memory modules.
4. Replace the highest-numbered memory module of those identified; then, restart the server. Repeat as necessary.
5. Reverse the memory modules between the channels (of the same processor), and then restart the server. If the problem is related to a memory module, replace the failing memory module.
6. (Trained technician only) Install the failing memory module into a memory module connector for processor 2 (if installed) to verify that the problem is not the processor or the memory module connector.
7. (Trained technician only) Replace the system board (system board assembly).

### **Displayed system memory is less than installed physical memory**

Complete the following procedure to solve the problem.

**Note:** Each time you install or remove a memory module, you must disconnect the server from the power source; then, wait 10 seconds before restarting the server.

1. Make sure that:
  - No error LEDs are lit. See [“Troubleshooting by system LEDs and diagnostics display” on page 180](#).
  - No memory module error LEDs are lit on the system board.
  - Memory mirrored channel does not account for the discrepancy.
  - The memory modules are seated correctly.
  - You have installed the correct type of memory module (see [“Memory module installation rules and order” on page 5](#) for requirements).
  - After changing or replacing a memory module, memory configuration is updated accordingly in the Setup Utility.
  - All banks of memory are enabled. The server might have automatically disabled a memory bank when it detected a problem, or a memory bank might have been manually disabled.
  - There is no memory mismatch when the server is at the minimum memory configuration.
2. Reseat the memory modules, and then restart the server.
3. Check the POST error log:
  - If a memory module was disabled by a systems-management interrupt (SMI), replace the memory module.
  - If a memory module was disabled by the user or by POST, reseat the memory module; then, run the Setup Utility and enable the memory module.
4. Run memory diagnostics. When you start a solution and press the key according to the on-screen instructions, the LXPM interface is displayed by default. (For more information, see the “Startup” section in the LXPM documentation compatible with your server at <https://pubs.lenovo.com/lxpm-overview/>.) You can perform memory diagnostics with this interface. From the Diagnostic page, go to **Run Diagnostic → Memory test → Advanced Memory Test**.
5. Reverse the modules between the channels (of the same processor), and then restart the server. If the problem is related to a memory module, replace the failing memory module.

6. Re-enable all memory modules using the Setup Utility, and then restart the server.
7. (Trained technician only) Install the failing memory module into a memory module connector for processor 2 (if installed) to verify that the problem is not the processor or the memory module connector.
8. (Trained technician only) Replace the system board (system board assembly).

### Invalid memory population detected

If this warning message appears, complete the following steps:

Invalid memory population (unsupported DIMM population) detected. Please verify memory configuration is valid.

1. See [“Memory module installation rules and order” on page 5](#) to make sure the present memory module population sequence is supported.
2. If the present sequence is indeed supported, see if any of the modules is displayed as “disabled” in Setup Utility.
3. Reseat the module that is displayed as “disabled,” and reboot the system.
4. If the problem persists, replace the memory module.

## Monitor and video problems

Use this information to solve problems related to a monitor or video.

- [“Incorrect characters are displayed” on page 192](#)
- [“Screen is blank” on page 192](#)
- [“Screen goes blank when you start some application programs” on page 193](#)
- [“The monitor has screen jitter, or the screen image is wavy, unreadable, rolling, or distorted” on page 193](#)
- [“The wrong characters appear on the screen” on page 193](#)

### Incorrect characters are displayed

Complete the following steps:

1. Verify that the language and locality settings are correct for the keyboard and operating system.
2. If the wrong language is displayed, update the server firmware to the latest level. See [“Update the firmware” in \*User Guide\* or \*System Configuration Guide\*](#).

### Screen is blank

**Note:** Make sure that the expected boot mode has not been changed from the UEFI to Legacy or vice versa.

1. If the server is attached to a KVM switch, bypass the KVM switch to eliminate it as a possible cause of the problem: connect the monitor cable directly to the correct connector on the rear of the server.
2. The management controller remote presence function is disabled if you install an optional video adapter. To use the management controller remote presence function, remove the optional video adapter.
3. If the server is installed with the graphical adapters while turning on the server, the Lenovo logo is displayed on the screen after approximately 3 minutes. This is normal operation while the system loads.
4. Make sure that:
  - The server is turned on and there is power supplied to the server.
  - The monitor cables are connected correctly.
  - The monitor is turned on and the brightness and contrast controls are adjusted correctly.
5. Make sure that the correct server is controlling the monitor, if applicable.
6. Make sure that the video output is not affected by corrupted server firmware; See [“Update the firmware” in \*User Guide\* or \*System Configuration Guide\*](#).
7. If the problem remains, contact Lenovo Support.



## Screen goes blank when you start some application programs

1. Make sure that:

- The application program is not setting a display mode that is higher than the capability of the monitor.
- You installed the necessary device drivers for the application.

## The monitor has screen jitter, or the screen image is wavy, unreadable, rolling, or distorted

1. If the monitor self-tests show that the monitor is working correctly, consider the location of the monitor. Magnetic fields around other devices (such as transformers, appliances, fluorescents, and other monitors) can cause screen jitter or wavy, unreadable, rolling, or distorted screen images. If this happens, turn off the monitor.

**Attention:** Moving a color monitor while it is turned on might cause screen discoloration.

Move the device and the monitor at least 305 mm (12 in.) apart, and turn on the monitor.

### Notes:

- a. To prevent diskette drive read/write errors, make sure that the distance between the monitor and any external diskette drive is at least 76 mm (3 in.).
  - b. Non-Lenovo monitor cables might cause unpredictable problems.
2. Reseat the monitor cable.
  3. Replace the components listed in step 2 one at a time, in the order shown, restarting the server each time:
    - a. Monitor cable
    - b. Video adapter (if one is installed)
    - c. Monitor
    - d. (Trained technician only) System board (system board assembly)

## The wrong characters appear on the screen

Complete the following steps until the problem is solved:

1. Verify that the language and locality settings are correct for the keyboard and operating system.
2. If the wrong language is displayed, update the server firmware to the latest level. See “Update the firmware” in *User Guide* or *System Configuration Guide*.

## Network problems

Use this information to resolve issues related to networking.

- [“Cannot wake server using Wake on LAN” on page 193](#)
- [“Could not log in using LDAP account with SSL enabled” on page 194](#)

### Cannot wake server using Wake on LAN

Complete the following steps until the problem is resolved:

1. If you are using the dual-port network adapter and the server is connected to the network using Ethernet 5 connector, check the system-error log or IMM2 system event log (see [“Event logs” on page 169](#)), make sure:
  - a. Fan 3 is running in standby mode, if Emulex dual port 10GBase-T embedded adapter is installed.
  - b. The room temperature is not too high (see [“Specifications” on page 171](#)).
  - c. The air vents are not blocked.

- d. The air baffle is installed securely.
2. Reseat the dual-port network adapter.
3. Turn off the server and disconnect it from the power source; then, wait 10 seconds before restarting the server.
4. If the problem still remains, replace the dual-port network adapter.

### Could not log in using LDAP account with SSL enabled

Complete the following steps until the problem is resolved:

1. Make sure that the license key is valid.
2. Generate a new license key and log in again.

## Observable problems

Use this information to solve observable problems.

- [“Server hangs during the UEFI boot process” on page 194](#)
- [“The server immediately displays the POST Event Viewer when it is turned on” on page 194](#)
- [“Server is unresponsive \(POST is complete and operating system is running\)” on page 195](#)
- [“Server is unresponsive \(POST failed and cannot start System Setup\)” on page 195](#)
- [“Voltage planar fault is displayed in the event log” on page 196](#)
- [“Unusual smell” on page 196](#)
- [“Server seems to be running hot” on page 196](#)
- [“Cannot enter legacy mode after installing a new adapter” on page 196](#)
- [“Cracked parts or cracked chassis” on page 196](#)

### Server hangs during the UEFI boot process

If the system hangs during the UEFI boot process with the message UEFI: DXE INIT on the display, make sure that Option ROMs were not configured with a setting of **Legacy**. You can remotely view the current settings for Option ROMs by running the following command using the Lenovo XClarity Essentials OneCLI:

```
onecli config show EnableDisableAdapterOptionROMSupport --bmc xcc_userid:xcc_password@xcc_ipaddress
```

To recover a system that hangs during the boot process with Legacy Option ROM settings, see the following Tech Tip:

<https://datacentersupport.lenovo.com/solutions/ht506118>

If legacy Option ROMs must be used, do not set slot Option ROMs to **Legacy** on the Devices and I/O Ports menu. Instead, set slot Option ROMs to **Auto** (the default setting), and set the System Boot Mode to **Legacy Mode**. Legacy option ROMs will be invoked shortly before the system boots.

### The server immediately displays the POST Event Viewer when it is turned on

Complete the following steps until the problem is solved.

1. Correct any errors that are indicated by the system LEDs and diagnostics display.
2. Make sure that the server supports all the processors and that the processors match in speed and cache size.

You can view processor details from system setup.

To determine if the processor is supported for the server, see <https://serverproven.lenovo.com>.

3. (Trained technician only) Make sure that processor 1 is seated correctly.
4. (Trained technician only) Remove processor 2 and restart the server.
5. Replace the following components one at a time, in the order shown, restarting the server each time:
  - a. (Trained technician only) Processor
  - b. (Trained technician only) System board (system board assembly)

### **Server is unresponsive (POST is complete and operating system is running)**

Complete the following steps until the problem is solved.

- If you are in the same location as the compute node, complete the following steps:
  1. If you are using a KVM connection, make sure that the connection is operating correctly. Otherwise, make sure that the keyboard and mouse are operating correctly.
  2. If possible, log in to the compute node and verify that all applications are running (no applications are hung).
  3. Restart the compute node.
  4. If the problem remains, make sure that any new software has been installed and configured correctly.
  5. Contact your place of purchase of the software or your software provider.
- If you are accessing the compute node from a remote location, complete the following steps:
  1. Make sure that all applications are running (no applications are hung).
  2. Attempt to log out of the system and log back in.
  3. Validate the network access by pinging or running a trace route to the compute node from a command line.
    - a. If you are unable to get a response during a ping test, attempt to ping another compute node in the enclosure to determine whether it is a connection problem or compute node problem.
    - b. Run a trace route to determine where the connection breaks down. Attempt to resolve a connection issue with either the VPN or the point at which the connection breaks down.
  4. Restart the compute node remotely through the management interface.
  5. If the problem remains, verify that any new software has been installed and configured correctly.
  6. Contact your place of purchase of the software or your software provider.

### **Server is unresponsive (POST failed and cannot start System Setup)**

Configuration changes, such as added devices or adapter firmware updates, and firmware or application code problems can cause the server to fail POST (the power-on self-test).

If this occurs, the server responds in either of the following ways:

- The server restarts automatically and attempts POST again.
- The server hangs, and you must manually restart the server for the server to attempt POST again.

After a specified number of consecutive attempts (automatic or manual), the server reverts to the default UEFI configuration and starts System Setup so that you can make the necessary corrections to the configuration and restart the server. If the server is unable to successfully complete POST with the default configuration, there might be a problem with the system board (system board assembly).

You can specify the number of consecutive restart attempts in System Setup. Restart the server and press the key according to the on-screen instructions to display the LXPM system setup interface. (For more information, see the “Startup” section in the LXPM documentation compatible with your server at <https://>

[pubs.lenovo.com/lxpm-overview/](https://pubs.lenovo.com/lxpm-overview/).) Then, click **System Settings** → **Recovery and RAS** → **POST Attempts** → **POST Attempts Limit**. Available options are 3, 6, 9, and disable.

### **Voltage planar fault is displayed in the event log**

Complete the following steps until the problem is solved.

1. Revert the system to the minimum configuration. See “[Specifications](#)” on page 171 for the minimally required number of processors and DIMMs.
2. Restart the system.
  - If the system restarts, add each of the removed items one at a time and restart the system each time until the error occurs. Replace the item for which the error occurs.
  - If the system does not restart, suspect the system board (system board assembly).

### **Unusual smell**

Complete the following steps until the problem is solved.

1. An unusual smell might be coming from newly installed equipment.
2. If the problem remains, contact Lenovo Support.

### **Server seems to be running hot**

Complete the following steps until the problem is solved.

Multiple compute nodes or chassis:

1. Make sure that the room temperature is within the specified range (see “[Specifications](#)” on page 171).
2. Make sure that the fans are installed correctly.
3. Update the UEFI and XCC to the latest versions.
4. Make sure that the fillers in the server are installed correctly (see [Chapter 1 “Hardware replacement procedures”](#) on page 1 for detailed installation procedures).
5. Use the IPMI command to ramp up the fan speed to the full fan speed to see whether the issue can be resolved.

**Note:** The IPMI raw command should only be used by trained technician and each system has its own specific IPMI raw command.

6. Check the management processor event log for rising temperature events. If there are no events, the compute node is running within normal operating temperatures. Note that you can expect some variation in temperature.

### **Cannot enter legacy mode after installing a new adapter**

Complete the following procedure to solve the problem.

1. Go to **UEFI Setup** → **Devices and I/O Ports** → **Set Option ROM Execution Order**.
2. Move the RAID adapter with operation system installed to the top of the list.
3. Select **Save**.
4. Reboot the system and auto boot to operation system.

### **Cracked parts or cracked chassis**

Contact Lenovo Support.

## **Optional-device problems**

Use this information to solve problems related to optional devices.

- “External USB device is not recognized” on page 197
- “PCIe adapter is not recognized or is not functioning” on page 197
- “Insufficient PCIe resources are detected.” on page 197
- “A Lenovo optional device that was just installed does not work.” on page 198
- “A Lenovo optional device that worked previously does not work now” on page 198

### **External USB device is not recognized**

Complete the following steps until the problem is resolved:

1. Update the UEFI firmware to the latest version.
2. Make sure that the proper drivers are installed on the compute node. See the product documentation for the USB device for information about device drivers.
3. Use the Setup utility to make sure that the device is configured correctly.
4. If the USB device is plugged into a hub or the console breakout cable, unplug the device and plug it directly into the USB port on the front of the compute node.

### **PCIe adapter is not recognized or is not functioning**

Complete the following steps until the problem is resolved:

1. Update the UEFI firmware to the latest version.
2. Check the event log and resolve any issues related to the device.
3. Validate that the device is supported for the server (see <https://serverproven.lenovo.com>). Make sure that the firmware level on the device is at the latest supported level and update the firmware if applicable.
4. Make sure that the adapter is installed in a correct slot.
5. Make sure that the proper device drivers are installed for the device.
6. Resolve any resource conflicts if running legacy mode (UEFI). Check legacy ROM boot orders and modify the UEFI setting for MM config base.

**Note:** Ensure that you modify the ROM boot order associated with the PCIe adapter to the first execution order.

7. Check <http://datacentersupport.lenovo.com> for any tech tips (also known as retain tips or service bulletins) that might be related to the adapter.
8. Ensure any adapter external connections are correct and that the connectors are not physically damaged.
9. Make sure that the PCIe adapter is installed with the supported operating system.

### **Insufficient PCIe resources are detected.**

If you see an error message stating “Insufficient PCI Resources Detected,” complete the following steps until the problem is resolved:

1. Press Enter to access System Setup Utility.
2. Select **System Settings → Devices and I/O Ports → MM Config Base**; then, modify the setting to increase the device resources. For example, modify 3 GB to 2 GB or modify 2 GB to 1 GB.
3. Save the settings and restart the system.
4. If the error recurs with the highest device resource setting (1GB), shutdown the system and remove some PCIe devices; then, power on the system.
5. If the reboot failed, repeat step 1 to step 4.
6. If the error recurs, press Enter to access System Setup Utility.

7. Select **System Settings** → **Devices and I/O Ports** → **PCI 64-Bit Resource Allocation**, then; modify the setting from **Auto** to **Enable**.
8. If the Boot Device does not support MMIO above 4GB for Legacy Boot, use UEFI Boot Mode or remove/disable some PCIe devices.
9. DC cycle the system and ensure the system is enter UEFI boot menu or the operating system; then, capture the FFDC log.
10. Contact Lenovo technical support.

#### **A Lenovo optional device that was just installed does not work.**

1. Make sure that:
  - The device is supported for the server (see <https://serverproven.lenovo.com>).
  - You followed the installation instructions that came with the device and the device is installed correctly.
  - You have not loosened any other installed devices or cables.
  - You updated the configuration information in system setup. When you start a server and press the key according to the on-screen instructions to display the Setup Utility. (For more information, see the “Startup” section in the LXPM documentation compatible with your server at <https://pubs.lenovo.com/lxpm-overview/>.) Whenever memory or any other device is changed, you must update the configuration.
2. Reseat the device that you have just installed.
3. Replace the device that you have just installed.
4. Reseat the cable connection and check there is no physical damage to the cable.
5. If there is any cable damage, then replace the cable.

#### **A Lenovo optional device that worked previously does not work now**

1. Make sure that all of the cable connections for the device are secure.
2. If the device comes with test instructions, use those instructions to test the device.
3. Reseat the cable connection and check if any physical parts have been damaged.
4. Replace the cable.
5. Reseat the failing device.
6. Replace the failing device.

## **Performance problems**

Use this information to solve performance problems.

- “[Network performance](#)” on page 198
- “[Operating system performance](#)” on page 199

### **Network performance**

Complete the following steps until the problem is solved:

1. Isolate which network is operating slowly (such as storage, data, and management). You might find it helpful to use ping tools or operating-system tools such as task manager or resource manager.
2. Check for traffic congestion on the network.
3. Update the NIC device driver, or the storage device controller device driver.
4. Use the traffic-diagnostic tools that are provided by the IO-module manufacturer.

## Operating system performance

Complete the following steps until the problem is solved:

1. If you have recently made changes to the compute node (for example updated device drivers or installed software applications) remove the changes.
2. Check for any networking issues.
3. Check the operating system logs for performance related errors.
4. Check for events related to high temperatures and power issues as the compute node might be throttled to help with cooling. If it is throttled, reduce the workload on the compute node to help improve performance.
5. Check for events related to disabled DIMMs. If you do not have enough memory for the application workload, your operating system will have poor performance.
6. Ensure that the workload is not too high for the configuration.

## Power on and power off problems

Use this information to resolve issues when powering on or powering off the server.

- [“The power button does not work \(server does not start\)” on page 199](#)
- [“Server does not power on” on page 200](#)

### The power button does not work (server does not start)

**Note:** The power button will not function until approximately 1 to 3 minutes after the server has been connected to ac power to allow time for BMC to initialize.

Complete the following steps until the problem is resolved:

1. Make sure that the power button on the server is working correctly:
  - a. Disconnect the server power cords.
  - b. Reconnect the server power cords.
  - c. Reseat the front operator panel cable, and then repeat steps 1a and 2b.
    - If the server starts, reseat the front operator panel.
    - If the problem remains, replace the front operator panel.
2. Make sure that:
  - The power cords are correctly connected to the server and to a working electrical outlet.
  - The LEDs on the power supply do not indicate a problem.
  - The Power button LED is lit on and is flashing slowly.
  - The push force is enough and with button force response.
3. If the power button LED is not lit on or is not flashing correctly, reseat all the power supplies and make sure AC LED on PSU rear side are lit on.
4. If you have just installed an optional device, remove it, and restart the server.
5. If the issue is still observed or without power button LED lit on, implement the minimum configuration to check whether any specific components lock the power permission. Replace the each power supply and check the power button function after installing the each one.
6. If everything is still done and the issue cannot be resolved, collect the failure information with system logs captured to Lenovo support.

## Server does not power on

Complete the following steps until the problem is resolved:

1. Check the event log for any events related to the server not powering on.
2. Check for any LEDs that are flashing amber.
3. Check the power LED on the system board (system board assembly).
4. Check if AC power LED is lit on or the amber LED is lit on at the PSU rear side.
5. AC cycle the system.
6. Remove the CMOS battery for at least ten seconds, then, reinstall the CMOS battery.
7. Try to power on the system by IPMI command through XCC or by the power button.
8. Implement the minimum configuration (see [“Technical specifications” on page 171](#)).
9. Reseat all power supplies and make sure that AC LEDs on the PSU rear side are lit.
10. Replace the each power supply and check the power button function after installing the each one.
11. If the issue cannot be resolved by above actions, call service to review the issue symptom and see whether the system board (system board assembly) replacement is necessary.

## Power problems

Use this information to resolve issues related to power.

### System error LED is on and event log "Power supply has lost input" is displayed

To resolve the problem, ensure that:

1. The power supply is properly connected to a power cord.
2. The power cord is connected to a properly grounded electrical outlet for the server.
3. Make sure that the power supply AC source is stable within the supported range.
4. Swap the power supply to see if the issue follows the power supply, if it follows the power supply, then replace the failing one.
5. Review the event log and see how the problem it is to follow the event log actions to resolved the problems.

## Serial-device problems

Use this information to solve problems with serial ports or devices.

- [“Number of displayed serial ports is less than the number of installed serial ports” on page 200](#)
- [“Serial device does not work” on page 200](#)

### Number of displayed serial ports is less than the number of installed serial ports

Complete the following steps until the problem is solved.

1. Make sure that:
  - Each port is assigned a unique address in the Setup utility and none of the serial ports is disabled.
  - The serial-port adapter (if one is present) is seated correctly.
2. Reseat the serial port adapter.
3. Replace the serial port adapter.

### Serial device does not work

1. Make sure that:



- The device is compatible with the server.
  - The serial port is enabled and is assigned a unique address.
  - The device is connected to the correct connector (see [“System-board connectors” on page 178](#)).
2. Reseat the following components:
    - a. Failing serial device.
    - b. Serial cable.
  3. Replace the following components:
    - a. Failing serial device.
    - b. Serial cable.
  4. (Trained technician only) Replace the system board (system board assembly).

## Software problems

Use this information to solve software problems.

1. To determine whether the problem is caused by the software, make sure that:
  - The server has the minimum memory that is needed to use the software. For memory requirements, see the information that comes with the software.

**Note:** If you have just installed an adapter or memory, the server might have a memory-address conflict.

  - The software is designed to operate on the server.
  - Other software works on the server.
  - The software works on another server.
2. If you receive any error messages while you use the software, see the information that comes with the software for a description of the messages and suggested solutions to the problem.
3. Contact your place of purchase of the software.

## Storage drive problems

Use this information to resolve issues related to the storage drives.

- [“Server cannot recognize a drive” on page 201](#)
- [“Multiple drives fail” on page 202](#)
- [“Multiple drives are offline” on page 202](#)
- [“A replacement drive does not rebuild” on page 203](#)
- [“Green drive activity LED does not represent actual state of associated drive” on page 203](#)
- [“Yellow drive status LED does not represent actual state of associated drive” on page 203](#)

### Server cannot recognize a drive

Complete the following steps until the problem is solved.

1. Observe the associated yellow drive status LED. If the LED is lit, it indicates a drive fault.
2. If the status LED is lit, remove the drive from the bay, wait 45 seconds, and reinsert the drive, making sure that the drive assembly connects to the drive backplane.
3. Observe the associated green drive activity LED and the yellow status LED and perform corresponding operations in different situations:
  - If the green activity LED is flashing and the yellow status LED is not lit, the drive is recognized by the controller and is working correctly. Run the diagnostics tests for the drives. When you start a server

and press the key according to the on-screen instructions, the LXPM is displayed by default. (For more information, see the “Startup” section in the LXPM documentation compatible with your server at <https://pubs.lenovo.com/lxpm-overview/>.) You can perform drive diagnostics from this interface. From the Diagnostic page, click **Run Diagnostic → Disk Drive Test**.

- If the green activity LED is flashing and the yellow status LED is flashing slowly, the drive is recognized by the controller and is rebuilding.
  - If neither LED is lit or flashing, check whether the drive backplane is correctly seated. For details, go to step 4.
  - If the green activity LED is flashing and the yellow status LED is lit, replace the drive.
4. Make sure that the drive backplane is correctly seated. When it is correctly seated, the drive assemblies correctly connect to the backplane without bowing or causing movement of the backplane.
  5. Reseat the backplane power cable and repeat steps 1 through 3.
  6. Reseat the backplane signal cable and repeat steps 1 through 3.
  7. Suspect the backplane signal cable or the backplane:
    - Replace the affected backplane signal cable.
    - Replace the affected backplane.
  8. Run the diagnostics tests for the drives. When you start a server and press the key according to the on-screen instructions, the LXPM is displayed by default. (For more information, see the “Startup” section in the LXPM documentation compatible with your server at <https://pubs.lenovo.com/lxpm-overview/>.) You can perform drive diagnostics from this interface. From the Diagnostic page, click **Run Diagnostic → Disk Drive Test**.

Based on those tests:

- If the backplane passes the test but the drives are not recognized, replace the backplane signal cable and run the tests again.
- Replace the backplane.
- If the adapter fails the test, disconnect the backplane signal cable from the adapter and run the tests again.
- If the adapter fails the test, replace the adapter.

### Multiple drives fail

Complete the following steps until the problem is solved:

- View the Lenovo XClarity Controller event log for events related to power supplies or vibration issues and resolve those events.
- Make sure that the device drivers and firmware for the drive and server are at the latest level.

**Important:** Some cluster solutions require specific code levels or coordinated code updates. If the device is part of a cluster solution, verify that the latest level of code is supported for the cluster solution before you update the code.

### Multiple drives are offline

Complete the following steps until the problem is solved:

- View the Lenovo XClarity Controller event log for events related to power supplies or vibration issues and resolve those events.
- View the storage subsystem log for events related to the storage subsystem and resolve those events.

### **A replacement drive does not rebuild**

Complete the following steps until the problem is solved:

1. Make sure that the drive is recognized by the adapter (the green drive activity LED is flashing).
2. Review the SAS/SATA RAID adapter documentation to determine the correct configuration parameters and settings.

### **Green drive activity LED does not represent actual state of associated drive**

Complete the following steps until the problem is solved:

1. If the green drive activity LED does not flash when the drive is in use, run the diagnostics tests for the drives. When you start a server and press the key according to the on-screen instructions, the LXPM is displayed by default. (For more information, see the “Startup” section in the LXPM documentation compatible with your server at <https://pubs.lenovo.com/lxpm-overview/>.) You can perform drive diagnostics from this interface. From the Diagnostic page, click **Run Diagnostic → Disk Drive Test**
2. If the drive passes the test, replace the backplane.
3. If the drive fails the test, replace the drive.

### **Yellow drive status LED does not represent actual state of associated drive**

Complete the following steps until the problem is solved:

1. Turn off the server.
2. Reseat the SAS/SATA adapter.
3. Reseat the backplane signal cable and backplane power cable.
4. Reseat the drive.
5. Power on the server and observe the activity of the drive LEDs.



---

## Appendix A. Getting help and technical assistance

If you need help, service, or technical assistance or just want more information about Lenovo products, you will find a wide variety of sources available from Lenovo to assist you.

On the World Wide Web, up-to-date information about Lenovo systems, optional devices, services, and support are available at:

<http://datacentersupport.lenovo.com>

**Note:** IBM is Lenovo's preferred service provider for ThinkSystem.

---

### Before you call

Before you call, there are several steps that you can take to try and solve the problem yourself. If you decide that you do need to call for assistance, gather the information that will be needed by the service technician to more quickly resolve your problem.

#### Attempt to resolve the problem yourself

You can solve many problems without outside assistance by following the troubleshooting procedures that Lenovo provides in the online help or in the Lenovo product documentation. The online help also describes the diagnostic tests that you can perform. The documentation for most systems, operating systems, and programs contains troubleshooting procedures and explanations of error messages and error codes. If you suspect a software problem, see the documentation for the operating system or program.

You can find the product documentation for your ThinkSystem products at the following location:

<https://pubs.lenovo.com/>

You can take these steps to try to solve the problem yourself:

- Check all cables to make sure that they are connected.
- Check the power switches to make sure that the system and any optional devices are turned on.
- Check for updated software, firmware, and operating-system device drivers for your Lenovo product. (See the following links) The Lenovo Warranty terms and conditions state that you, the owner of the Lenovo product, are responsible for maintaining and updating all software and firmware for the product (unless it is covered by an additional maintenance contract). Your service technician will request that you upgrade your software and firmware if the problem has a documented solution within a software upgrade.
  - Drivers and software downloads
    - <https://datacentersupport.lenovo.com/tw/en/products/servers/thinksystem/st250v3/7dce/downloads/driver-list/>
  - Operating system support center
    - <https://datacentersupport.lenovo.com/solutions/server-os>
  - Operating system installing instructions
    - <https://pubs.lenovo.com/thinksystem#os-installation>
- If you have installed new hardware or software in your environment, check <https://serverproven.lenovo.com> to make sure that the hardware and software are supported by your product.
- Refer to [Chapter 3 “Problem determination” on page 169](#) for instructions on isolating and solving issues.

- Go to <http://datacentersupport.lenovo.com> and check for information to help you solve the problem.

To find the Tech Tips available for your server:

1. Go to <http://datacentersupport.lenovo.com> and navigate to the support page for your server.
2. Click on **How To's** from the navigation pane.
3. Click **Article Type** → **Solution** from the drop-down menu.

Follow the on-screen instructions to choose the category for the problem that you are having.

- Check Lenovo Data Center Forum at [https://forums.lenovo.com/t5/Datacenter-Systems/ct-p/sv\\_eg](https://forums.lenovo.com/t5/Datacenter-Systems/ct-p/sv_eg) to see if someone else has encountered a similar problem.

### Gathering information needed to call Support

If you require warranty service for your Lenovo product, the service technicians will be able to assist you more efficiently if you prepare the appropriate information before you call. You can also go to <http://datacentersupport.lenovo.com/warrantylookup> for more information about your product warranty.

Gather the following information to provide to the service technician. This data will help the service technician quickly provide a solution to your problem and ensure that you receive the level of service for which you might have contracted.

- Hardware and Software Maintenance agreement contract numbers, if applicable
- Machine type number (Lenovo 4-digit machine identifier). Machine type number can be found on the ID label, see “Identifying the server and access the Lenovo XClarity Controller” in *User Guide* or *System Configuration Guide*.
- Model number
- Serial number
- Current system UEFI and firmware levels
- Other pertinent information such as error messages and logs

As an alternative to calling Lenovo Support, you can go to <https://support.lenovo.com/servicerequest> to submit an Electronic Service Request. Submitting an Electronic Service Request will start the process of determining a solution to your problem by making the pertinent information available to the service technicians. The Lenovo service technicians can start working on your solution as soon as you have completed and submitted an Electronic Service Request.

---

## Collecting service data

To clearly identify the root cause of a server issue or at the request of Lenovo Support, you might need collect service data that can be used for further analysis. Service data includes information such as event logs and hardware inventory.

Service data can be collected through the following tools:

- **Lenovo XClarity Provisioning Manager**

Use the Collect Service Data function of Lenovo XClarity Provisioning Manager to collect system service data. You can collect existing system log data or run a new diagnostic to collect new data.

- **Lenovo XClarity Controller**

You can use the Lenovo XClarity Controller web interface or the CLI to collect service data for the server. The file can be saved and sent to Lenovo Support.

- For more information about using the web interface to collect service data, see the “Backing up the BMC configuration” section in the XCC documentation compatible with your server at <https://pubs.lenovo.com/lxcc-overview/>.
- For more information about using the CLI to collect service data, see the “XCC `ffdc` command” section in the XCC documentation compatible with your server at <https://pubs.lenovo.com/lxcc-overview/>.

- **Lenovo XClarity Administrator**

Lenovo XClarity Administrator can be set up to collect and send diagnostic files automatically to Lenovo Support when certain serviceable events occur in Lenovo XClarity Administrator and the managed endpoints. You can choose to send diagnostic files to Lenovo Support using Call Home or to another service provider using SFTP. You can also manually collect diagnostic files, open a problem record, and send diagnostic files to the Lenovo Support.

You can find more information about setting up automatic problem notification within the Lenovo XClarity Administrator at [https://pubs.lenovo.com/lxca/admin\\_setupcallhome](https://pubs.lenovo.com/lxca/admin_setupcallhome).

- **Lenovo XClarity Essentials OneCLI**

Lenovo XClarity Essentials OneCLI has inventory application to collect service data. It can run both in-band and out-of-band. When running in-band within the host operating system on the server, OneCLI can collect information about the operating system, such as the operating system event log, in addition to the hardware service data.

To obtain service data, you can run the `getinfor` command. For more information about running the `getinfor`, see [https://pubs.lenovo.com/lxce-onecli/onecli\\_r\\_getinfor\\_command](https://pubs.lenovo.com/lxce-onecli/onecli_r_getinfor_command).

---

## Contacting Support

You can contact Support to obtain help for your issue.

You can receive hardware service through a Lenovo Authorized Service Provider. To locate a service provider authorized by Lenovo to provide warranty service, go to <https://datacentersupport.lenovo.com/serviceprovider> and use filter searching for different countries. For Lenovo support telephone numbers, see <https://datacentersupport.lenovo.com/supportphonenumber> for your region support details.





---

## Appendix B. Documents and supports

This section provides handy documents, driver and firmware downloads, and support resources.

---

### Documents download

This section provides introduction and download link for handy documents.

#### Documents

Download the following product documentations at:

[https://pubs.lenovo.com/st250-v3/st250\\_v3\\_user\\_guide.pdf](https://pubs.lenovo.com/st250-v3/st250_v3_user_guide.pdf)

- **Rail Installation Guides**
  - Rail installation in a rack
- **User Guide**
  - Complete overview, system configuration, hardware components replacing, and troubleshooting.  
Selected chapters from *User Guide*:
    - **System Configuration Guide** : Server overview, components identification, system LEDs and diagnostics display, product unboxing, setting up and configuring the server.
    - **Hardware Maintenance Guide** : Installing hardware components, cable routing, and troubleshooting.
- **Messages and Codes Reference**
  - XClarity Controller, LXPM, and uEFI events
- **UEFI Manual**
  - UEFI setting introduction

---

### Support websites

This section provides driver and firmware downloads and support resources.

#### Support and downloads

- Drivers and Software download website for ThinkSystem ST250 V3
  - <https://datacentersupport.lenovo.com/tw/en/products/servers/thinksystem/st250v3/7dce/downloads/driver-list/>
- Lenovo Data Center Forum
  - [https://forums.lenovo.com/t5/Datacenter-Systems/ct-p/sv\\_eg](https://forums.lenovo.com/t5/Datacenter-Systems/ct-p/sv_eg)
- Lenovo Data Center Support for ThinkSystem ST250 V3
  - <https://datacentersupport.lenovo.com/products/servers/thinksystem/st250v3/7dce>
- Lenovo License Information Documents
  - <https://datacentersupport.lenovo.com/documents/Invo-eula>
- Lenovo Press website (Product Guides/Datasheets/White papers)
  - <https://lenovopress.lenovo.com/>

- Lenovo Privacy Statement
  - <https://www.lenovo.com/privacy>
- Lenovo Product Security Advisories
  - [https://datacentersupport.lenovo.com/product\\_security/home](https://datacentersupport.lenovo.com/product_security/home)
- Lenovo Product Warranty Plans
  - <http://datacentersupport.lenovo.com/warrantylookup>
- Lenovo Server Operating Systems Support Center website
  - <https://datacentersupport.lenovo.com/solutions/server-os>
- Lenovo ServerProven website (Options compatibility lookup)
  - <https://serverproven.lenovo.com>
- Operating System Installation Instructions
  - <https://pubs.lenovo.com/thinksystem#os-installation>
- Submit an eTicket (service request)
  - <https://support.lenovo.com/servicerequest>
- Subscribe to Lenovo Data Center Group product notifications (Stay up to date on firmware updates)
  - <https://datacentersupport.lenovo.com/solutions/ht509500>

---

## Appendix C. Notices

Lenovo may not offer the products, services, or features discussed in this document in all countries. Consult your local Lenovo representative for information on the products and services currently available in your area.

Any reference to a Lenovo product, program, or service is not intended to state or imply that only that Lenovo product, program, or service may be used. Any functionally equivalent product, program, or service that does not infringe any Lenovo intellectual property right may be used instead. However, it is the user's responsibility to evaluate and verify the operation of any other product, program, or service.

Lenovo may have patents or pending patent applications covering subject matter described in this document. The furnishing of this document is not an offer and does not provide a license under any patents or patent applications. You can send inquiries in writing to the following:

*Lenovo (United States), Inc.  
8001 Development Drive  
Morrisville, NC 27560  
U.S.A.  
Attention: Lenovo Director of Licensing*

LENOVO PROVIDES THIS PUBLICATION "AS IS" WITHOUT WARRANTY OF ANY KIND, EITHER EXPRESS OR IMPLIED, INCLUDING, BUT NOT LIMITED TO, THE IMPLIED WARRANTIES OF NON-INFRINGEMENT, MERCHANTABILITY OR FITNESS FOR A PARTICULAR PURPOSE. Some jurisdictions do not allow disclaimer of express or implied warranties in certain transactions, therefore, this statement may not apply to you.

This information could include technical inaccuracies or typographical errors. Changes are periodically made to the information herein; these changes will be incorporated in new editions of the publication. Lenovo may make improvements and/or changes in the product(s) and/or the program(s) described in this publication at any time without notice.

The products described in this document are not intended for use in implantation or other life support applications where malfunction may result in injury or death to persons. The information contained in this document does not affect or change Lenovo product specifications or warranties. Nothing in this document shall operate as an express or implied license or indemnity under the intellectual property rights of Lenovo or third parties. All information contained in this document was obtained in specific environments and is presented as an illustration. The result obtained in other operating environments may vary.

Lenovo may use or distribute any of the information you supply in any way it believes appropriate without incurring any obligation to you.

Any references in this publication to non-Lenovo Web sites are provided for convenience only and do not in any manner serve as an endorsement of those Web sites. The materials at those Web sites are not part of the materials for this Lenovo product, and use of those Web sites is at your own risk.

Any performance data contained herein was determined in a controlled environment. Therefore, the result obtained in other operating environments may vary significantly. Some measurements may have been made on development-level systems and there is no guarantee that these measurements will be the same on generally available systems. Furthermore, some measurements may have been estimated through extrapolation. Actual results may vary. Users of this document should verify the applicable data for their specific environment.

---

## Trademarks

LENOVO and THINKSYSTEM are trademarks of Lenovo.

All other trademarks are the property of their respective owners.

---

## Important notes

Processor speed indicates the internal clock speed of the processor; other factors also affect application performance.

CD or DVD drive speed is the variable read rate. Actual speeds vary and are often less than the possible maximum.

When referring to processor storage, real and virtual storage, or channel volume, KB stands for 1 024 bytes, MB stands for 1 048 576 bytes, and GB stands for 1 073 741 824 bytes.

When referring to hard disk drive capacity or communications volume, MB stands for 1 000 000 bytes, and GB stands for 1 000 000 000 bytes. Total user-accessible capacity can vary depending on operating environments.

Maximum internal hard disk drive capacities assume the replacement of any standard hard disk drives and population of all hard-disk-drive bays with the largest currently supported drives that are available from Lenovo.

Maximum memory might require replacement of the standard memory with an optional memory module.

Each solid-state memory cell has an intrinsic, finite number of write cycles that the cell can incur. Therefore, a solid-state device has a maximum number of write cycles that it can be subjected to, expressed as total bytes written (TBW). A device that has exceeded this limit might fail to respond to system-generated commands or might be incapable of being written to. Lenovo is not responsible for replacement of a device that has exceeded its maximum guaranteed number of program/erase cycles, as documented in the Official Published Specifications for the device.

Lenovo makes no representations or warranties with respect to non-Lenovo products. Support (if any) for the non-Lenovo products is provided by the third party, not Lenovo.

Some software might differ from its retail version (if available) and might not include user manuals or all program functionality.

---

## Electronic emission notices

When you attach a monitor to the equipment, you must use the designated monitor cable and any interference suppression devices that are supplied with the monitor.

Additional electronic emissions notices are available at:

[https://pubs.lenovo.com/important\\_notices/](https://pubs.lenovo.com/important_notices/)

## Taiwan Region BSMI RoHS declaration

單元 Unit	限用物質及其化學符號 Restricted substances and its chemical symbols					
	鉛Lead (Pb)	汞Mercury (Hg)	鎘Cadmium (Cd)	六價鉻 Hexavalent chromium (Cr <sup>6+</sup> )	多溴聯苯 Polybrominated biphenyls (PBB)	多溴二苯醚 Polybrominated diphenyl ethers (PBDE)
機架	○	○	○	○	○	○
外部蓋板	○	○	○	○	○	○
機械組零件	-	○	○	○	○	○
空氣傳動設備	-	○	○	○	○	○
冷卻組零件	-	○	○	○	○	○
內存模組	-	○	○	○	○	○
處理器模組	-	○	○	○	○	○
電纜組零件	-	○	○	○	○	○
電源供應器	-	○	○	○	○	○
儲備設備	-	○	○	○	○	○
印刷電路板	-	○	○	○	○	○

備考1. “超出0.1 wt %”及“超出0.01 wt %”係指限用物質之百分比含量超出百分比含量基準值。  
Note1: “exceeding 0.1wt%” and “exceeding 0.01 wt%” indicate that the percentage content of the restricted substance exceeds the reference percentage value of presence condition.

備考2. “○”係指該項限用物質之百分比含量未超出百分比含量基準值。  
Note2: “○” indicates that the percentage content of the restricted substance does not exceed the percentage of reference value of presence.

備考3. “-”係指該項限用物質為排除項目。  
Note3: The “-” indicates that the restricted substance corresponds to the exemption.

## Taiwan Region import and export contact information

Contacts are available for Taiwan Region import and export information.

委製商/進口商名稱: 台灣聯想環球科技股份有限公司  
進口商地址: 台北市南港區三重路 66 號 8 樓  
進口商電話: 0800-000-702





**Lenovo**<sup>™</sup>