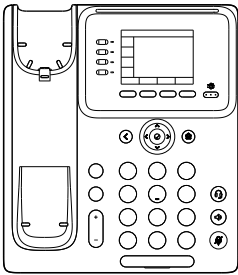


Poly CCX 350 Business Media Phone

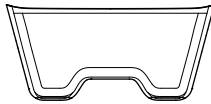


Package Contents

Poly CCX 350 Phone Console



Stand



Handset

Handset
Cord

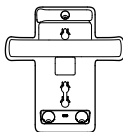
Setup Sheet



Network Cable



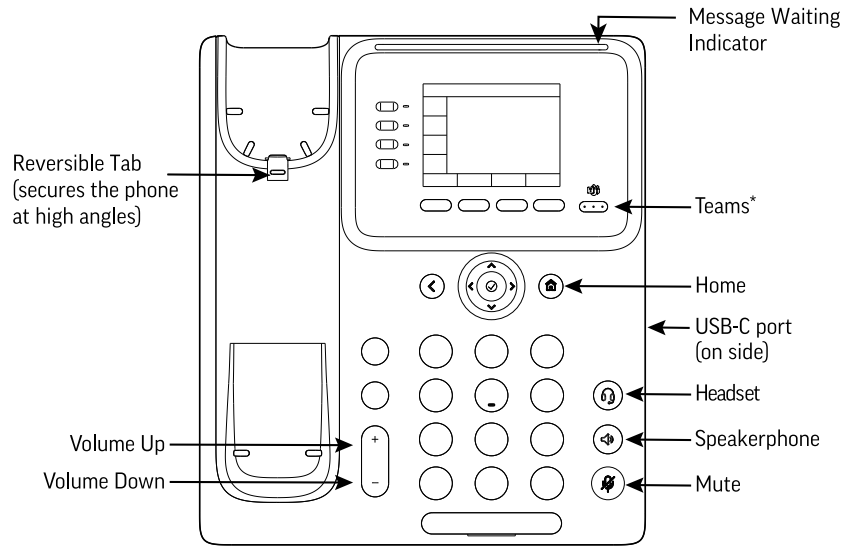
Optional Accessories

AC Power Adapter
(varies by region)

Wall Mount Bracket

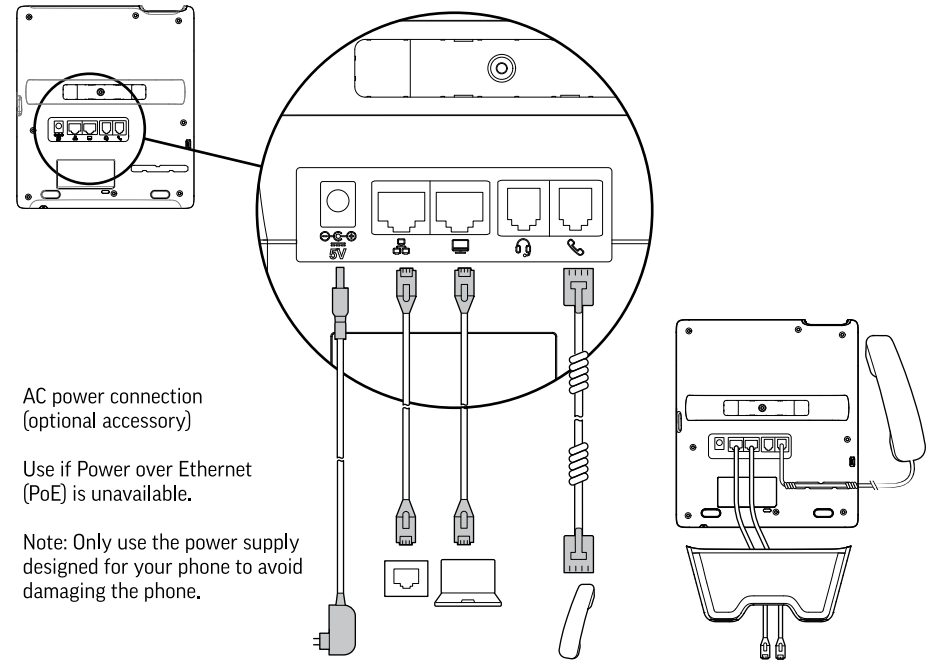
For more information on optional accessories, contact your reseller.

Features

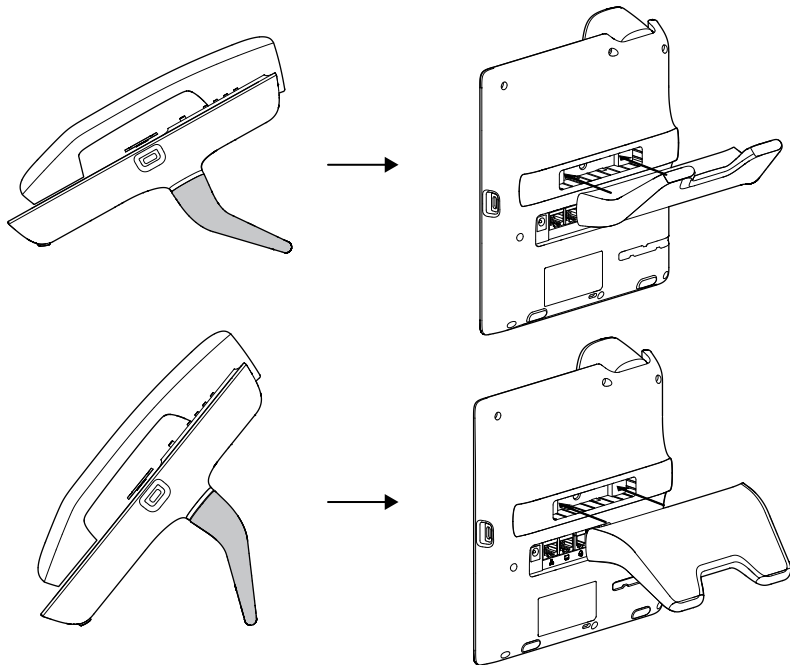


*The Microsoft Teams logo appears when the CCX 350 is running the Teams application. When running the Teams application, the Teams button returns you to the Teams **Home** screen.

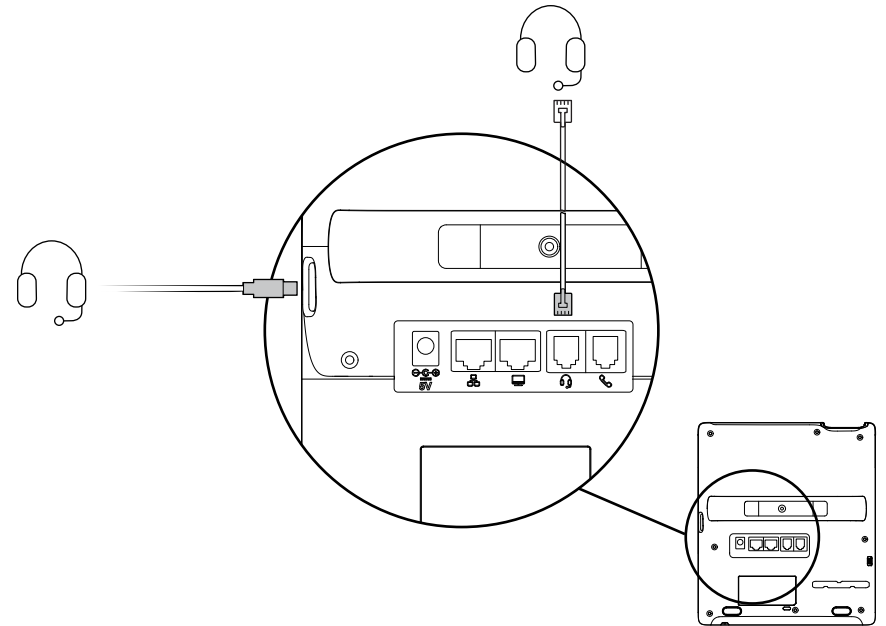
Connect Cables



Connect Desktop Stand



Connect Optional Headset






HP Inc UK Ltd, Regulatory Enquiries, Earley West, 300 Thames Valley Park Drive, Reading, RG6 1PT
 HP REG 23010, 08028 Barcelona, Spain

ENERGY STAR®:




Backlight intensity and timeout can be adjusted in basic user settings menu. By default, after the phone is idle for 40 seconds, the backlight dims. The backlight automatically turns on with any phone activity.



support.hp.com/poly

Poly CCX 350 🔍



Translations of this Setup Sheet are available at support.hp.com/poly.

ar انذاً ةرؤكذملا تاغلل ةلصفنم تادنتسم يف ةفيلاتلا تادنتسملا ةمءرت مءتس.

de Übersetzungen dieser Einrichtungsanleitung sind unter support.hp.com/poly verfügbar.

es Las traducciones de esta guía de instalación están disponibles en support.hp.com/poly. fr Des traductions de cette Fiche de configuration sont disponibles à l'adresse support.hp.com/poly.

he תרגומים של גיליון ההתקנה זמינים בכתובת support.hp.com/poly.

id Terjemahan Lembar Penyetelan ini tersedia di support.hp.com/poly.

it Le traduzioni di questo foglio di installazione sono disponibili all'indirizzo support.hp.com/poly.

ja このセットアップシートの各国語版は、support.hp.com/poly から入手できます。

ko 이 설치 안내서의 번역본은 support.hp.com/poly에서 확인할 수 있습니다.

ku وهه رگهتێران بۆ ئەم پەرەزەى رێنەخشستنه پەرەدهستنه له support.hp.com/poly.

pt As traduções desta Folha de configuração estão disponíveis no site support.hp.com/poly.

ru Переводы этой монтажной схемы доступны по адресу: support.hp.com/poly.

sr Prevodi ovog priručnika za podešavanje dostupni su na support.hp.com/poly.

tr Bu Kurulum Sayfasının çevirileri support.hp.com/poly adresinde mevcuttur.

zh-cn 此安装说明书的翻译版本见 support.hp.com/poly。

zh-tw 此安裝說明書的翻譯版本可在 support.hp.com/poly 取得。

© 2023 Poly. All trademarks are the property of their respective owners.

Contact Information:

Contact your authorized reseller for assistance.
www.hp.com
 HP Inc., 1501 Page Mill Road, Palo Alto, CA 94304



1725-49684-023A 09.23

RMN/型號:CCX 350