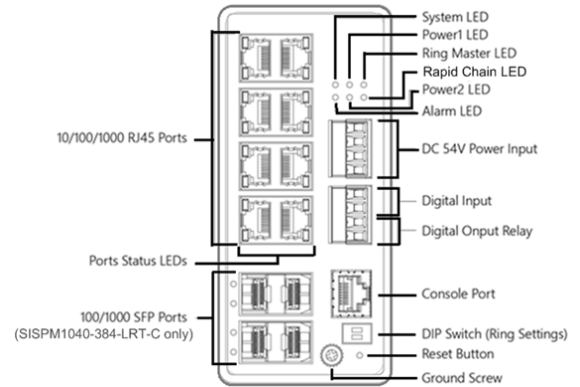


## SISPM1040-384-LRT-C and SISPM1040-362-LRT

### Hardened Managed PoE+ Switches

#### Quick Start Guide

The SISPM1040-384-LRT-C and SISPM1040-362-LRT are industrial L2+ managed GbE switches with powerful L2 and basic L3 features. See the *Install Guide* for important **Cautions** and **Warnings**, Features, Specifications, Options, Dimensions, Installation, etc.



#### Mount the Switch

See the *Install Guide* to mount the switch on a DIN Rail, wall, or desktop.

#### Connect Ports

1. Connect the provided DB-9 to RJ-45 Console Cable to a PC or Terminal and to the CONSOLE port on the switch.
2. Connect the Ethernet RJ45 Ports to the CAT3-CAT6 Ethernet cables/far end devices. Only connect PDs which support power input in 48~56V range to prevent damage to PDs. See the *Install Guide* for details.

#### Install SFP Modules

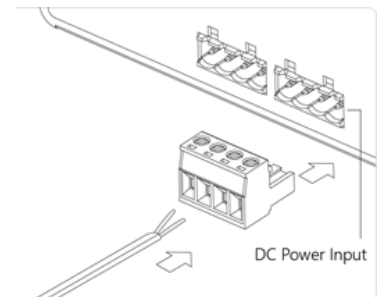
**Note:** Use UL Listed Transceiver SFPs rated 3.3Vdc, Laser Class 1. See the SFP manual for cautions & warnings.

1. Insert the SFP module into the SFP port (if available/supported).
2. Press firmly to ensure that the module seats into the connector.
3. Connect the appropriate fiber cable.

#### Connect Ground and DC Power

See the *Install Guide* for important Cautions and Warnings. Negative DC voltage is not supported. **Warning:** Connect the power supply to the switch first, and then connect the power supply to power.

1. Connect both the Switch front panel grounding screw and Power Supply 25105 or 25104 ground terminals to earth ground.
2. Insert the negative/positive DC wires into the Switch's V- and V+ terminals.
3. Tighten the wire-clamp screws on the front upper Terminal Block connector.
4. Insert the Terminal Block connector prongs into the terminal block receptor.
5. Connect the DI/DO Terminal Block if needed; see the Install Guide.
6. Insert the -/+ DC wires into the power supply's V- and V+ terminals and tighten.
7. Plug the power supply into an appropriate AC outlet. If the **SYS** LED is lit, the power connection is correct



#### Initial Switch Configuration Using a Web Browser

After initial power up, perform the initial switch configuration using a web browser. To begin the initial configuration stage, reconfigure your PC's IP address and subnet mask so the PC can communicate with the switch. After changing PC's IP address, you can access the switch's Web GUI using the switch's default IP address of 192.168.1.77. The default Subnet Mask is 255.255.255.0. The default Username and Password are **admin**.

## Initial Switch Configuration Procedure

Power up the PC that you will use for initial configuration. Make sure it has an Ethernet RJ45 connector to be connected to the switch via standard Ethernet LAN cable. Reconfigure the PC's IP address and Subnet Mask as below, so it can talk to the switch. To change the IP address on a Windows® 7/8.x/10 PC:

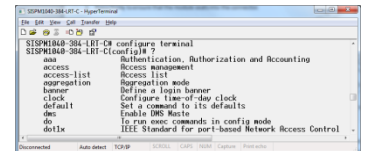
1. Press the WinKey+R and type "ncpa.cpl" command.
2. Right-click on your local adapter and select Properties.
3. In the Local Area Connection Properties window highlight Internet Protocol Version 4 (TCP/IPv4) then click the Properties button.
4. Select the radio button; enter the IP for the PC (e.g. any IP address not in use, and between 192.168.1.2 and 192.168.1.254), Subnet mask (e.g. 255.255.255.0), and Default gateway that correspond to your network setup.
5. Click **OK** to change the PC's IP address.
6. Power up the switch, and wait until it has finished its start-up processes.
7. Connect the PC to any port on the switch using a standard Ethernet cable, and check the port LED on the switch to make sure the link status of the PC is OK.
8. Run a Web browser on the PC and enter the factory default IP address to access the switch's Web interface. If your PC is configured correctly, the Login page displays. Enter your Username and Password.



If you do not see the Login page, refresh the web page, check to see if there is an IP conflict issue, clear browser cookies and temporary internet files, check your PC settings again, and repeat step 2. Then enter the factory default Username and Password in the Login page and click "Login" to log into the switch.

**CLI Configuration:** The command line interface (CLI) is a text-based interface that lets you access the switch via a direct serial connection to the switch or a Telnet session.

Use an RJ-45 cable to connect a terminal or PC/terminal emulator to the switch port to access the CLI. Attach the RJ-45 serial port on the switch front panel to the cable for Telnet/CLI configuration. Attach the other end of the DB-9 cable to a PC running Telnet or a terminal emulation program such as HyperTerminal or TeraTerm.



**LED and RESET Button Descriptions:** See the Install Guide for front panel Power, System, Alarm, and Port Status LED descriptions, for DIP Switch / Ring operation; and Reset button tasks (Reset, Restore to Defaults).

**Related Documentation :** Install Guide - SISPM1040-384-LRT-C & SISPM1040-362-LRT 33727, Web User Guide 33728, CLI Reference 33729. Release Notes (version specific).

**Contact Us :** Toll Free: 800-526-8766. Phone: 949-453-3990. Fax: 949-453-3995.

Technical Support: <http://www.transition.com/support>. Sales Offices: [www.lantronix.com/about/contact](http://www.lantronix.com/about/contact).

© 2021 Lantronix, Inc. All rights reserved. No part of the contents of this publication may be transmitted or reproduced in any form or by any means without the written permission of Lantronix. Lantronix is a registered trademark of Lantronix, Inc. in the United States and other countries. Patented: [patents.lantronix.com](http://patents.lantronix.com); additional patents pending. All other trademarks and trade names are the property of their respective holders.