

ZQ630 Plus ZQ630 Plus RFID

Quick Start Guide



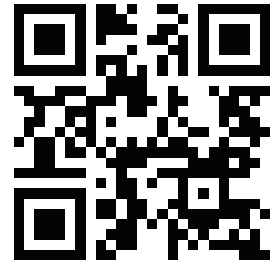
Zebra Technologies | 3 Overlook Point | Lincolnshire, IL 60069 USA
zebra.com

ZEBRA and the stylized Zebra head are trademarks of Zebra Technologies Corp., registered in many jurisdictions worldwide. All other trademarks are the property of their respective owners. © 2023 Zebra Technologies Corp. and/or its affiliates. All rights reserved.

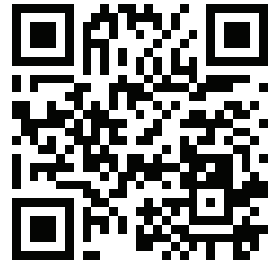
1 Installing the Printer Driver

IMPORTANT

Go to zebra.com/zq600plus-info or zebra.com/zq600plusrfid-info and install the driver for your printer.



zebra.com/zq600plus-info

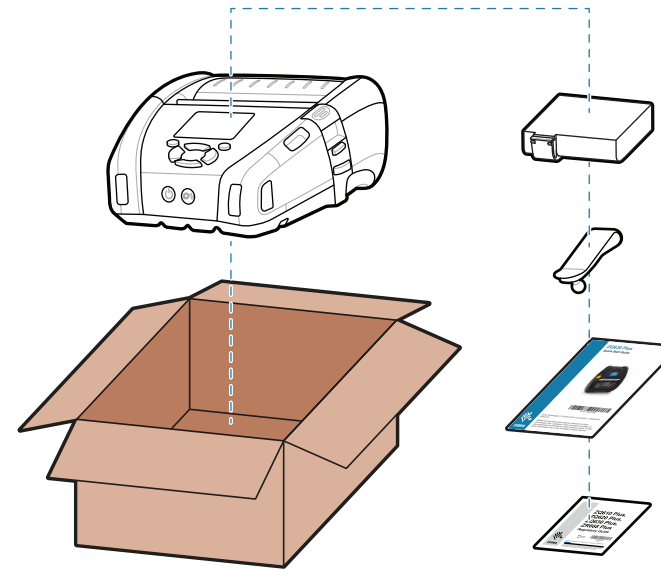


zebra.com/zq600plusrfid-info



The driver **MUST** be installed before connecting the printer to the computer, or it will cause complications. If your Microsoft Windows-based computer does not have the driver installed for this printer, download it from zebra.com/zq600plus-info or zebra.com/zq600plusrfid-info and install it before continuing.

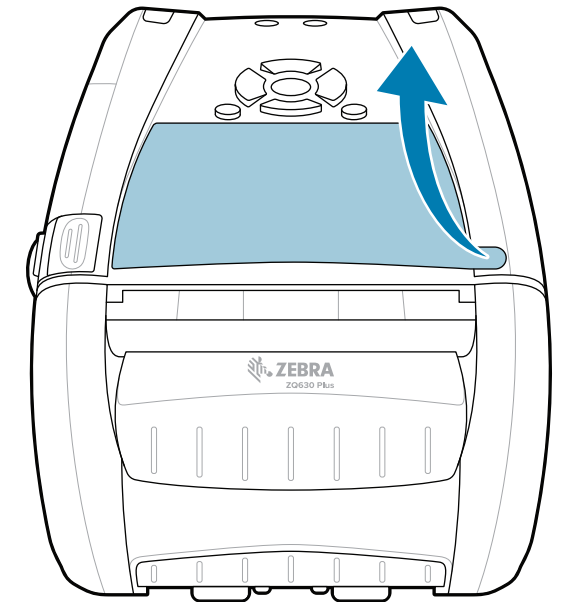
2 Unpacking the Printer



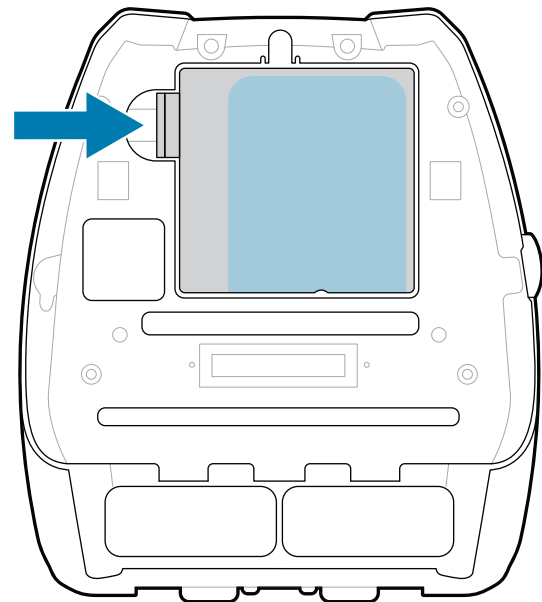
Save the box and packaging materials in case you need to store or ship your printer in the future.

Verify that you have the items shown. Accessories may vary by region.

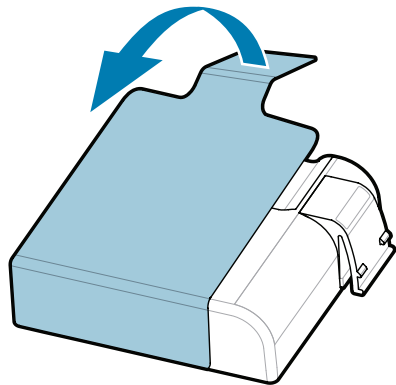
3 Removing the Protective Film



4 Removing the Battery



1. Press the release tab on the battery pack.
2. Rotate and lift the battery pack out of the printer.

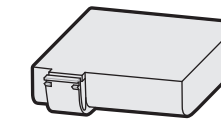


3. Pull up on the tape insulator tab located on the bottom of the battery pack.
4. Peel back the tape insulator and remove it from the top of the battery pack. Discard upon removal.

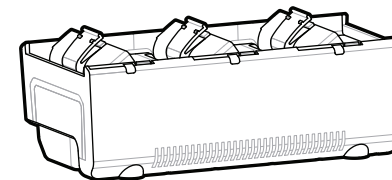
5 Charging the Battery

To provide power to the printer, you can either charge the battery using a compatible charger, or use an AC power adapter.

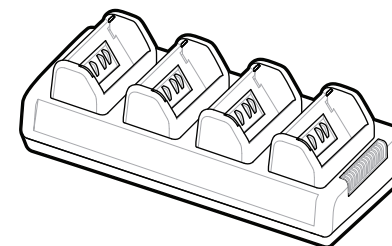
The Xs in the part numbers will vary by region.



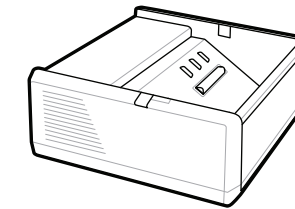
BTRY-MPP-68MA1-01



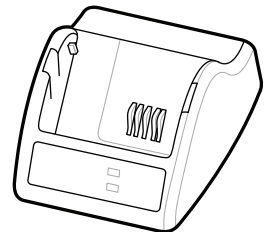
3-Slot Battery Charger
Dual 3-Slot Battery Charger
SAC-MPP-3BCHGXX1-01
SAC-MPP-6BCHXX1-01



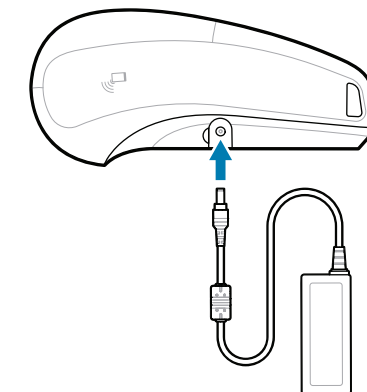
Quad Battery Charger
AC18177-X



1-Slot Battery Charger
SAC-MPP-1BCHGXX1-01



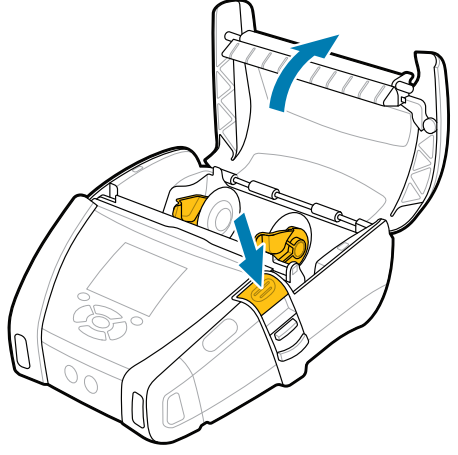
Smart Charger-2
P1031365-XXX



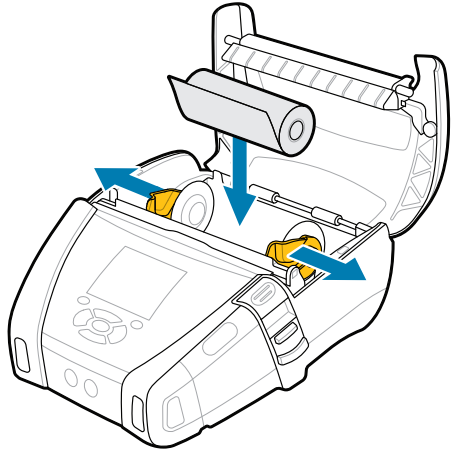
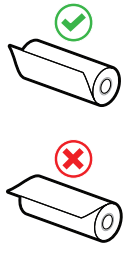
AC Power Adapter
P1031365-0XX
P1065668-0XX

6 Installing Media

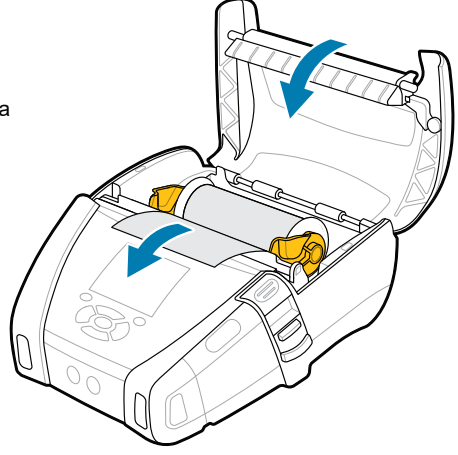
1. Press down on the latch release to open the media cover.



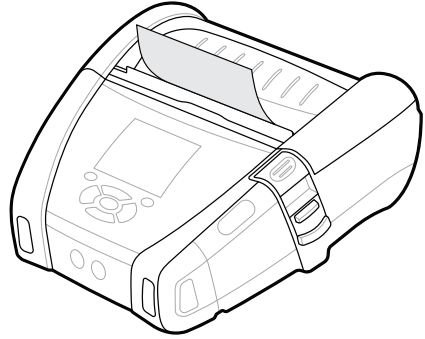
2. Insert the media roll in the media compartment in the orientation shown.



3. Close the media cover making sure to manually feed the end of the media roll outside the printer.

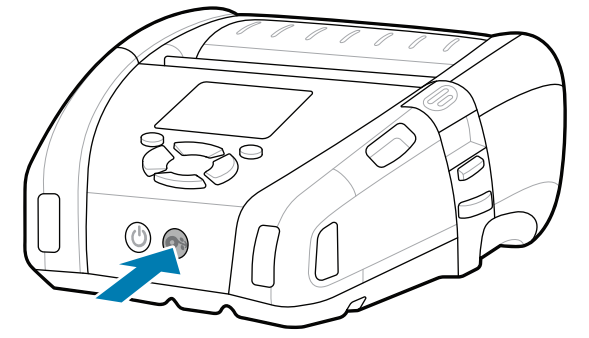
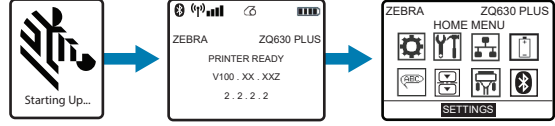
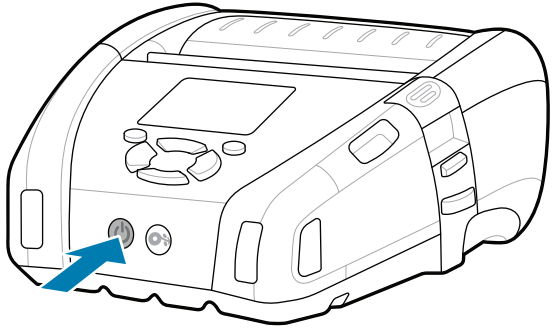


4. The media cover will click into place.

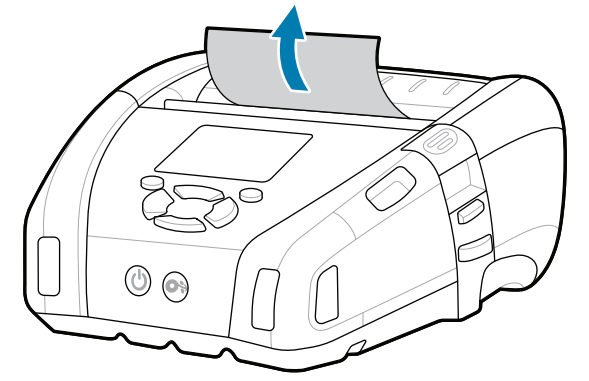


7 Power Up and Paper Feed

1. Press and hold **POWER** for at least 3 seconds, then release to power up the printer.



2. Press **FEED** to advance the media through the paper path.



8 Pairing a Mobile Device

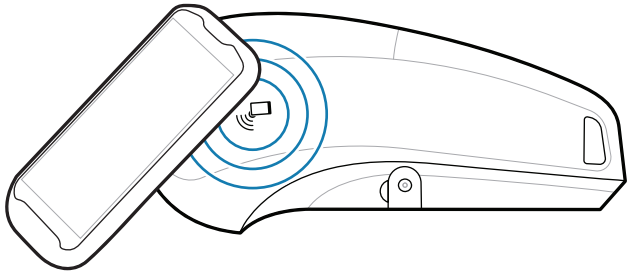
1. Configure the ZQ6 Plus printers using the Zebra Printer Setup Utility app. Download the app from the Google Play™ store for Android™ devices, or from the App Store® for iOS® devices.



Zebra Printer Setup Utility



2. Use NFC and Bluetooth to pair a device. For ease of pairing, the Bluetooth MAC Address is labeled on the back of the printer and on the box via a barcode.



Support and Information



View user documentation and how-to videos.
zebra.com/zq600plus-info



View user documentation and how-to videos.
zebra.com/zq600plusrfid-info



Need to design a label?
zebra.com/zebradesigner



Learn about genuine Zebra supplies.
zebra.com/supplies



Need to manage your printer?
zebra.com/profilemanager



View Quick Answers and Knowledge Base.
zebra.com/knowledge



Join Community Connection of Zebra users and ambassadors.
zebra.com/supportcommunity



Contact Zebra about your printer.
zebra.com/contactsupport



Need to secure your printer?
zebra.com/printsecure



Learn about product patent information.
zebra.com/patents

