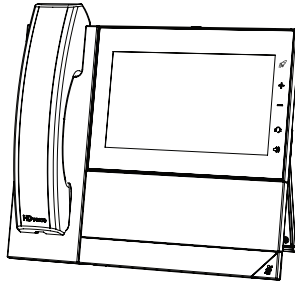
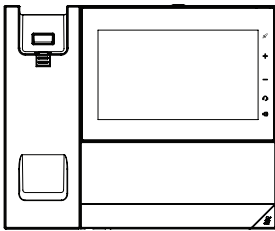


Poly CCX 600 Business Media Phone



Package Contents

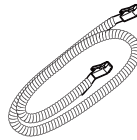
With Handset Cradle



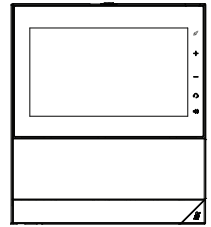
Handset



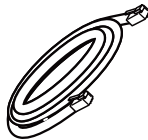
Handset Cord



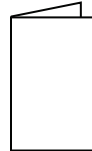
Without Handset Cradle



Network Cable



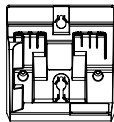
Setup Sheet



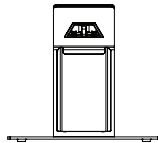
Optional Accessories



AC power adapter
(varies by region)



Wallmount



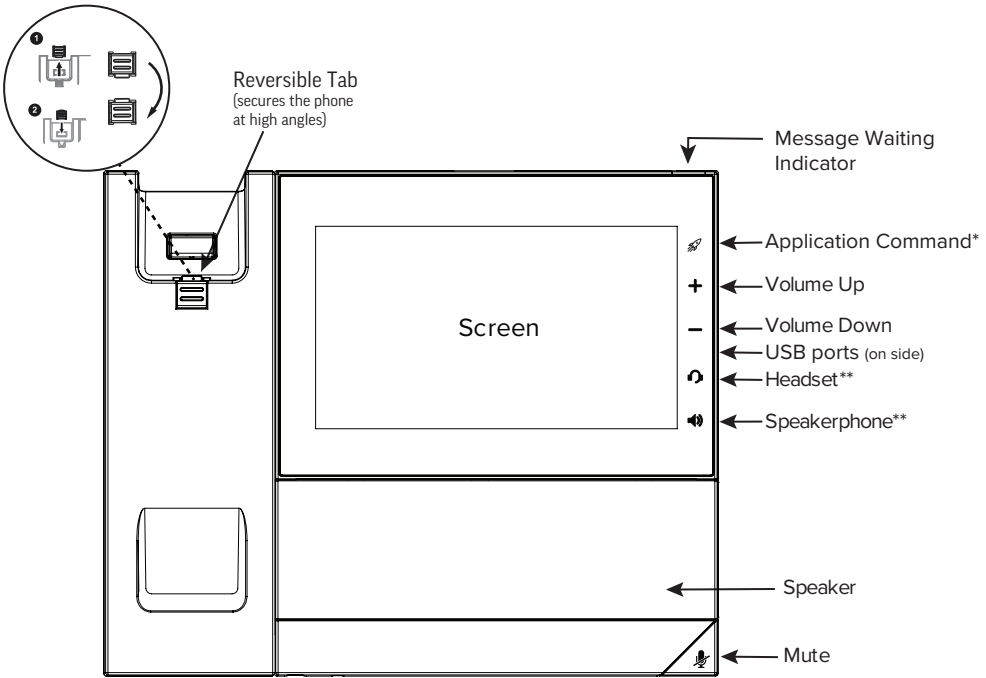
CCX Video Stand



Polycom EagleEye Mini
USB Camera

For more information on optional accessories, contact your reseller.

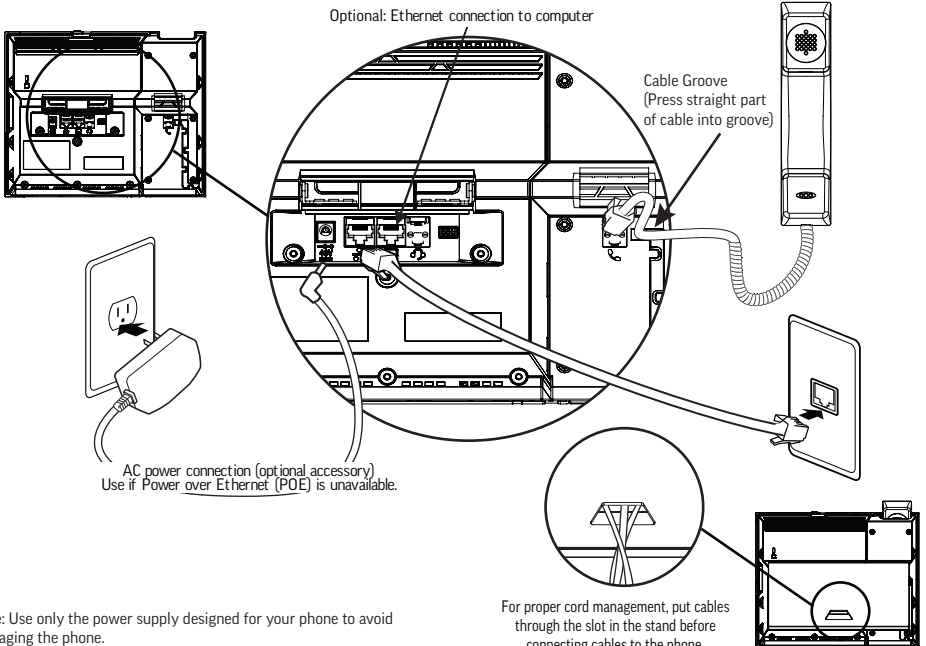
Features



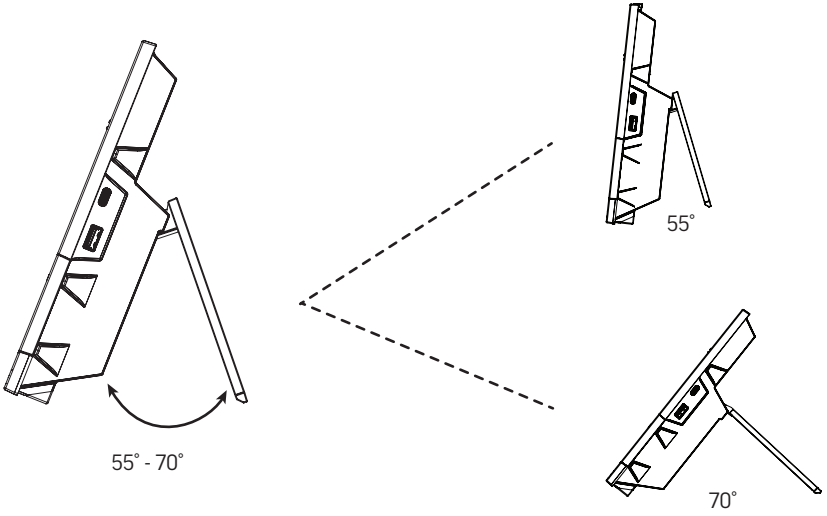
*Icon displays only when the phone is powered on and the feature is available. Icon may vary (👉👉👉).

**Icon displays when the phone is powered on.

Connect Cables



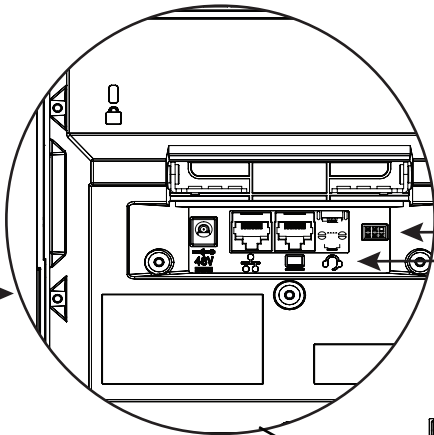
Adjust the Desktop Stand



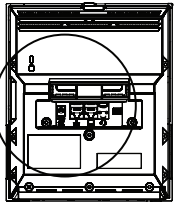
Connect Optional Headset



USB port (on side)



EHS port
RJ-9 port



Your phone supports USB and wired headsets, including Electronic Hook Switch (EHS) headsets.

For connection directions, refer to your headset documentation. Standard headsets use the RJ-9 or USB port while EHS headsets typically use the RJ-9 and EHS ports.



Hereby, HP declares that the radio equipment RMN/ 型號 / 型号 : CCX 600 is in compliance with Directive 2014/53/EU. The full text of the EU Declaration of Conformity is available at the following Internet address: www.hp.eu/certificates (search with RMN).

UK only: Hereby, HP declares that the radio equipment RMN/ 型號 / 型号 : CCX 600 is in compliance with the relevant statutory requirements. The full text of the Declaration of Conformity is available at the following Internet address: www.hp.eu/certificates (search with RMN).

Frequency Range	Maximum Transmit Power
2402MHz–2480MHz	13.6 dBm
5180MHz–5210MHz	13.41 dBm
5290MHz–5320MHz	12.67 dBm
5500MHz–5700MHz	12.74 dBm




HP Inc UK Ltd, Regulatory Enquiries, Earley West, 300 Thames Valley Park Drive, Reading, RG6 1PT

HP REG 23010, 08028 Barcelona, Spain

ENERGY STAR®:



Backlight intensity and timeout can be adjusted in basic user settings menu. By default, after the phone is idle for 40 seconds, the backlight dims. The backlight automatically turns on with any phone activity.

 support.hp.com/poly
 

Translations of this Setup Sheet are available at support.hp.com/poly.

ان بدأ ذك ذلك تاغلل ةلصفنم تادنتسم يف ةيلالاتا تادنتسم ل ةمجت مت ت.س.

de Übersetzungen dieser Einrichtungsanleitung sind unter support.hp.com/poly verfügbar.

es Las traducciones de esta guía de instalación están disponibles en support.hp.com/poly. fr Des traductions de

cette Fiche de configuration sont disponibles à l'adresse support.hp.com/poly.

he .support.hp.com/poly בתחבוב זמינים באתר

id Terjemahan Lembar Penyetelan ini tersedia di support.hp.com/poly.

it Le traduzioni di questo foglio di installazione sono disponibili all'indirizzo support.hp.com/poly.

ja このセットアップシートの各国語版は、support.hp.com/poly から入手できます。

ko 이 설치 안내서의 번역본은 support.hp.com/poly에서 확인할 수 있습니다.

ku .support.hp.com/poly وەرگێران بۆ ئەم پەرەى رێکخستنه بەردەستە لە

pt As traduções desta Folha de configuração estão disponíveis no site support.hp.com/poly.

ru Переводы этой монтажной схемы доступны по адресу: support.hp.com/poly.

sr Prevodi ovog priručnika za podešavanje dostupni su na support.hp.com/poly.

tr Bu Kurulum Sayfasının çevirileri support.hp.com/poly adresinde mevcuttur.

zh-cn 此安裝說明書的翻譯版本見 support.hp.com/poly。

zh-tw 此安裝說明書的翻譯版本可在 support.hp.com/poly 取得。

© 2023 Poly. All trademarks are the property of their respective owners.

Contact Information:

Contact your authorized reseller for assistance.

www.hp.com

HP Inc., 1501 Page Mill Road, Palo Alto, CA 94304



1725-49777-023A 09.23

RMN/型號/型号: CCX 600