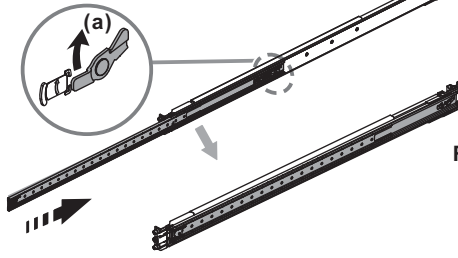
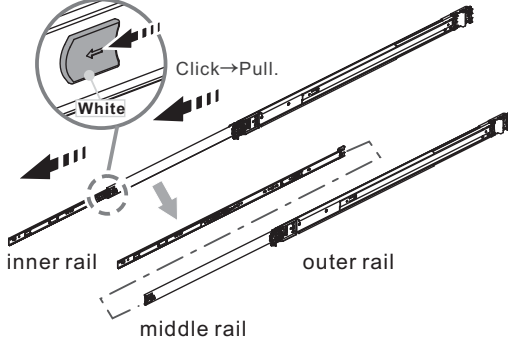


1 Remove the inner rail

1 Pull tab forward and take out inner rail.

2 Push (a) and slide middle rail back.



2 Check hole type on rack post

3) Check hole type on rack post. Choose suitable pin of bracket to install if needed.

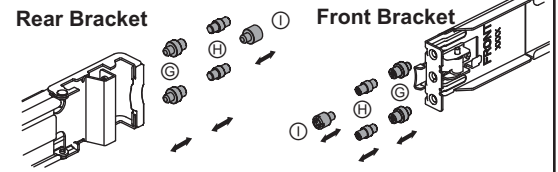
Ⓒ 9.5 Square Hole (Pre-installed)

For 9.5 Square hole frame : Install slide rail as usual.

Ⓓ 7.1 Round Hole

For 7.1 Round hole frame : Please refer to the manual : Replacing the suitable pin.

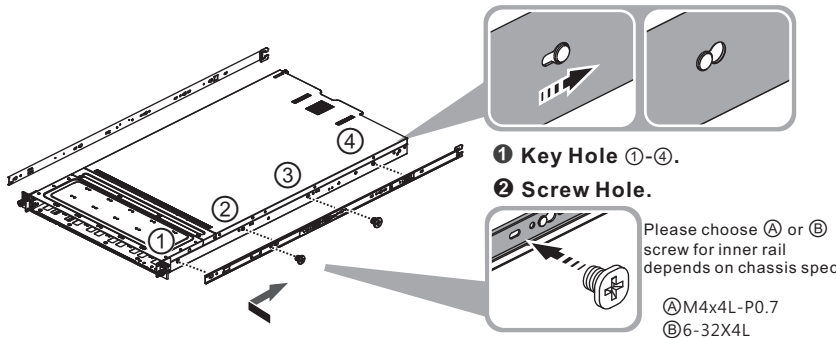
Ⓘ M5-Bracket screw



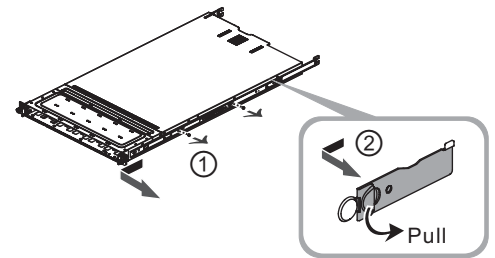
SCREW SACK		
Ⓐ M4x4L-P0.7	Inner rail	
Ⓑ #6-32X4L	Inner rail	
Ⓒ Round hole pin	For ∅7.1 Round Hole	
Ⓓ #10-32X13L	For #10-32 Thread Hole	
Ⓔ M5X20-P0.8	For Shipping	
Ⓕ M5x13.5L-P0.8	For Shipping	

3 Install the inner rail onto the chassis

• Detach Inner rail from standoff



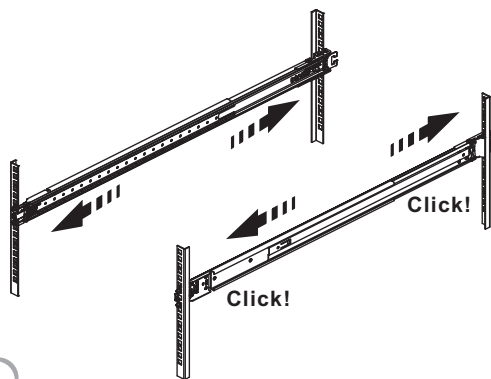
① Loosen screw.



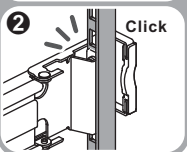
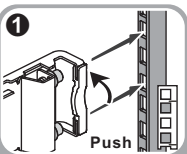
② Pull the latch upward and remove the keyhole from standoff and slide inner rail forward to remove inner rail.

4 Fix the outer rail/bracket assembly to the frame

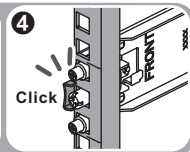
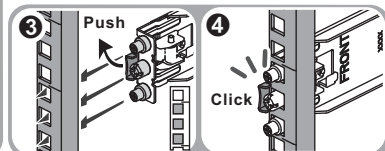
• Detach bracket from rack post



Rear bracket

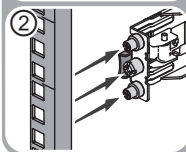
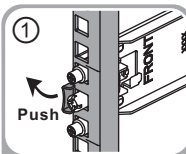


Front bracket

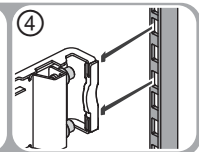
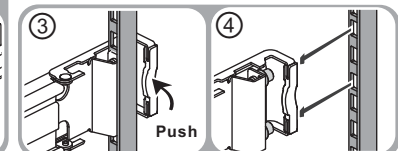


⑤ Please repeat installation steps for the other side.

Front bracket



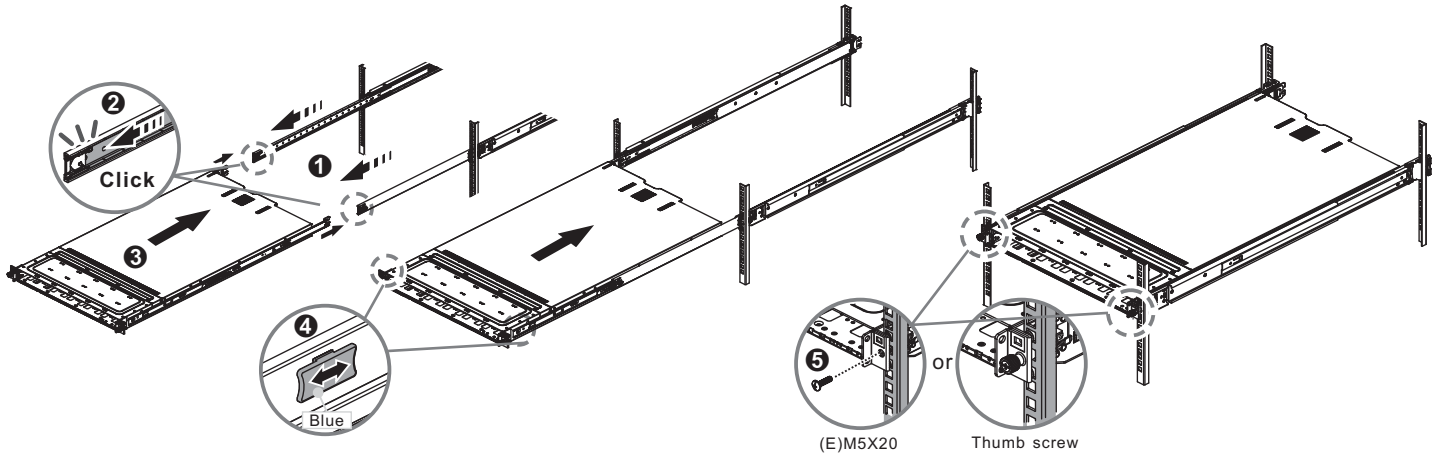
Rear bracket



⑤ Please repeat the detached steps for the other side.

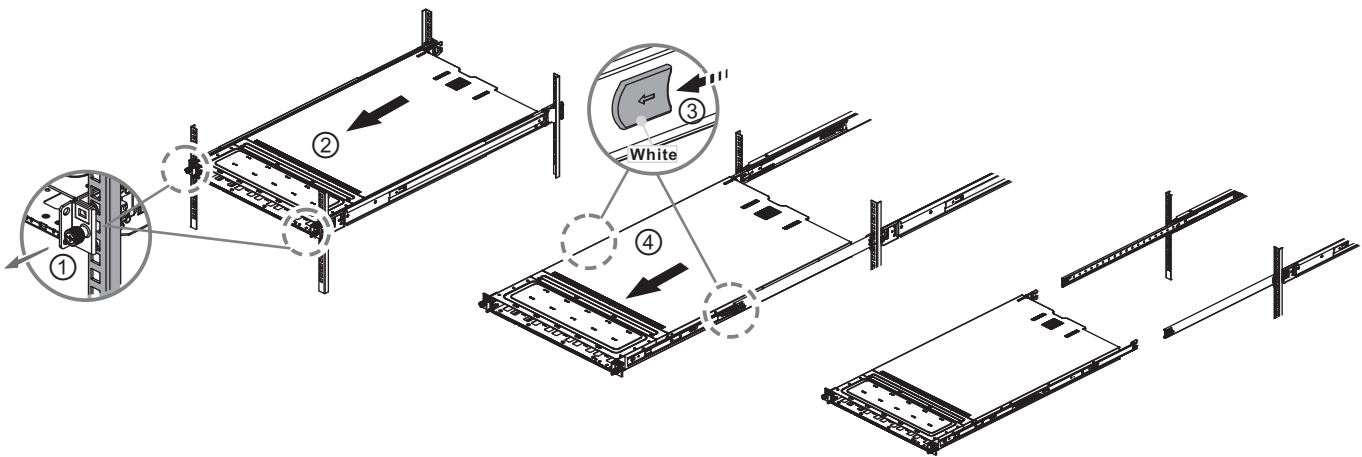
5 Insert the chassis to complete the installation

- 1 2 Pull the middle rails fully extended in lock position, ensure ball bearing retainer is located at the front of the middle rails.
- 3 Horizontally insert the chassis into middle-outer rails.
- 4 When hit a stop, please pull/push the blue release tab on the inner rails.
- 5 Tighten chassis with shipping screws.



Remove the chassis from rack

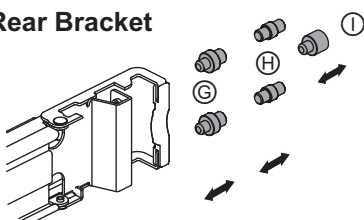
- 1 2 Loosen shipping screws to pull out chassis.
- 3 4 Pull the disconnect tab forward to remove chassis at the full extension position.



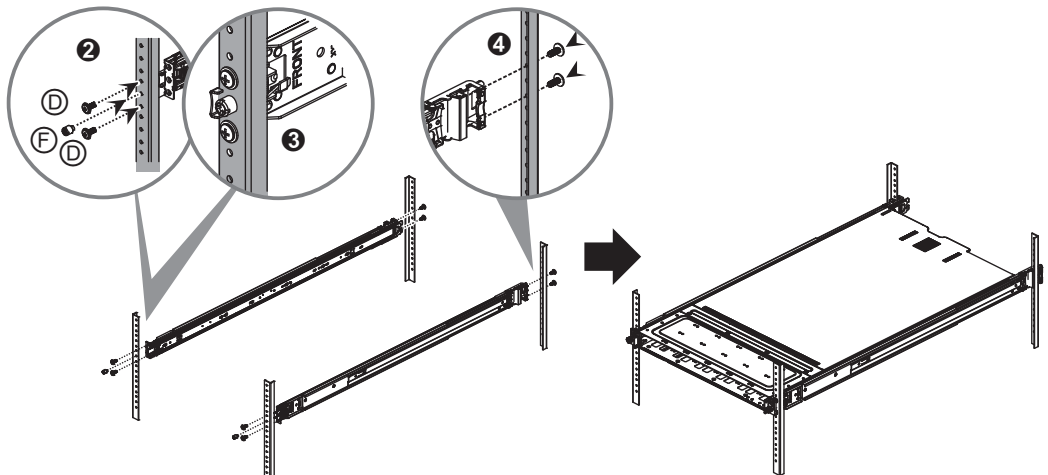
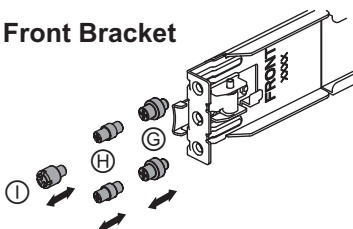
Install in #10-32 rack

- 1 Remove pins for square and round hole rack. Remove nut on the bracket.
- 2 3 4 Use #10-32 screw in the accessory bag, then fasten nut on the rack post.

1 Rear Bracket



Front Bracket



Please follow previous steps for installation and detach process of chassis.