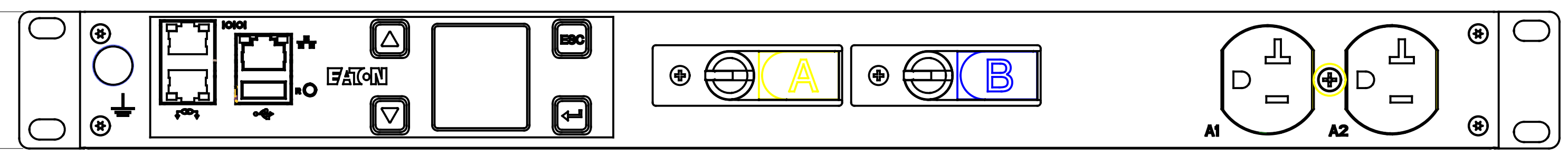
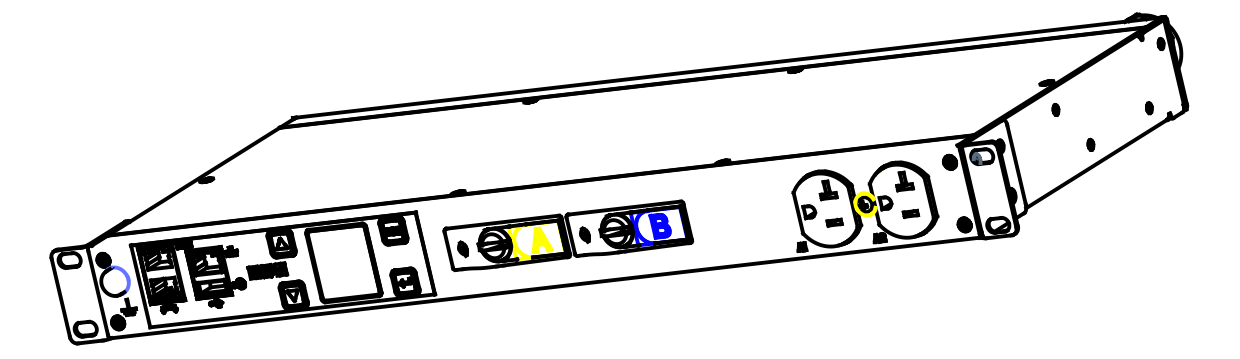
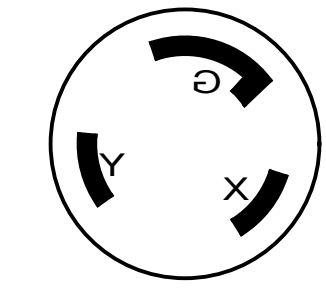
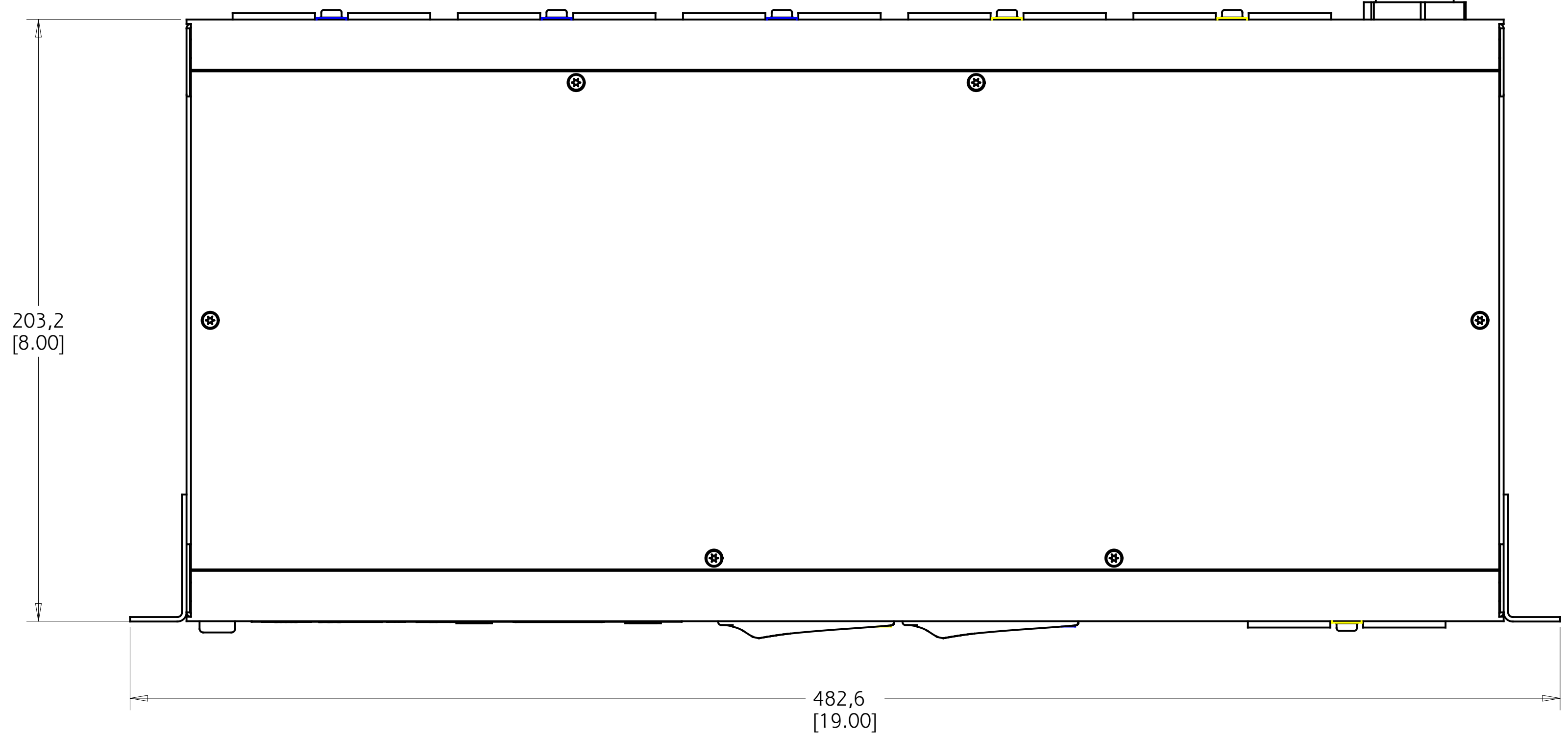
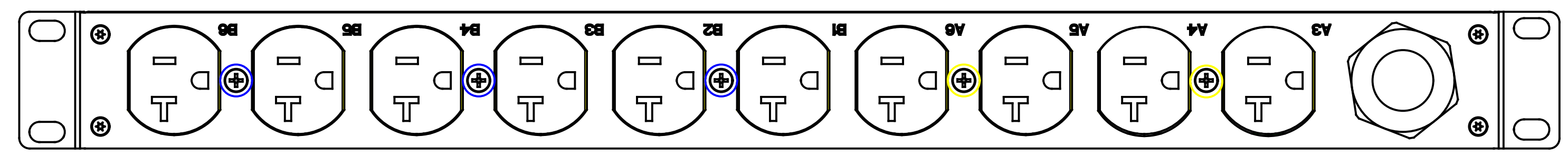
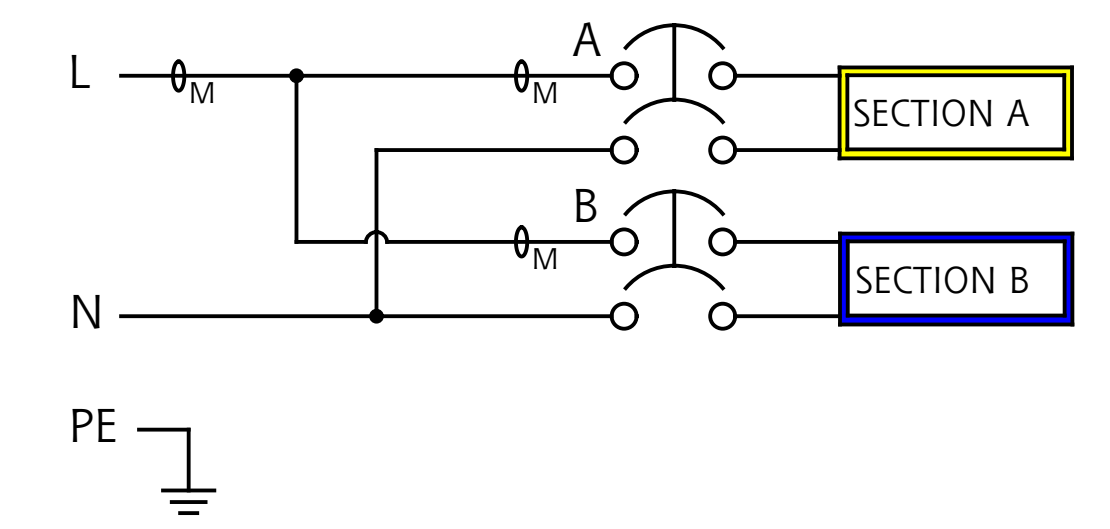


REV	ECO No.	REVISION	DR	CK	AP	DATE
001	092227	ENGINEERING RELEASE	LS			29 OCT 15
002	096587	ADD UL MARKING	RS			21 JAN 16



EMIT03-10 G3 METERED INPUT

FUNCTIONALITY	INPUT	OUTPUT	ENVIRONMENTAL
CURRENT, POWER AND ENERGY METERING FOR INPUT & BRANCH	NEMA L5-30 PLUG 10FT 10AWG / 3C POWERCORD	(12) NEMA 5-20R	32° TO 140° F 0° TO 60° C
MECHANICAL	INPUT RATING	OUTPUT RATING	CERTIFICATIONS
19.00" (482.6mm) WIDTH 1.69" (42.9mm) HEIGHT 8.00" (203.2mm) DEPTH BLACK CHASSIS	100-127V ~ W + N + PE 24A 50/60HZ	100-127V ~ 16A MAX PER OUTLET 16A MAX PER SECTION 24A MAX TOTAL	
CIRCUIT BREAKERS	FILTER AND SPIKE/SURGE	ACCESSORIES	CONFIGURATION
(2) 20A 1-POLE UL LISTED	NONE	INCLUDED SPK021 - INSTALLATION INCLUDED SPK013 - NETWORK OPTIONAL EMP001 - ENVIRONMENTAL PROBE	EMI3MGB5EMB13A1 SERIAL NUMBER B682 _____



METRIC		EATON CORPORATION, ELECTRICAL		SIZE D
DESCRIPTION: ePDU G3 SPECIFICATION DRAWING FOR EMIT03-10				
MODIFIED BY: L. SANDOVAL	DATE: 29 OCT 15	UNLESS OTHERWISE SPECIFIED TOLERANCES ON DIMENSIONS ARE: ANGLES: ±1/2° DECIMALS: 0.X: ±0.25 X (FOR X < 3): ±1		SCALE: 0.500
ECO: 092227	STATE: RELEASE	HOLES: ±0.13 DIA: ±0.25 X (FOR X > 3): ±2.5		DO NOT SCALE
PRO-ENGINEER GENERATED		PART NAME: EMI3MGB5EMB13A1		DRAWING OR CHANGE MANUALLY
		REVISION: 002		SHEET: 1 of 1
EATON CORPORATION - CONFIDENTIAL AND PROPRIETARY NOTICE TO PERSONS RECEIVING THIS DOCUMENT AND/OR TECHNICAL INFORMATION THIS DOCUMENT, INCLUDING THE DRAWING AND INFORMATION CONTAINED THEREON, IS CONFIDENTIAL AND IS THE EXCLUSIVE PROPERTY OF EATON CORPORATION AND IS SUBJECT TO RECALL BY EATON AT ANY TIME. BY TAKING POSSESSION OF THIS DOCUMENT, THE RECIPIENT ACKNOWLEDGES AND AGREES THAT THIS DOCUMENT CANNOT BE USED IN ANY MANNER ADVERSE TO THE INTERESTS OF EATON, AND THAT NO PORTION OF THIS DOCUMENT MAY BE COPIED OR OTHERWISE REPRODUCED WITHOUT THE PRIOR WRITTEN CONSENT OF EATON. IN THE CASE OF CONFLICTING CONTRACTUAL PROVISIONS, THIS NOTICE SHALL GOVERN THE STATUS OF THIS DOCUMENT. © 2008 Eaton Corporation - All Rights Reserved.				