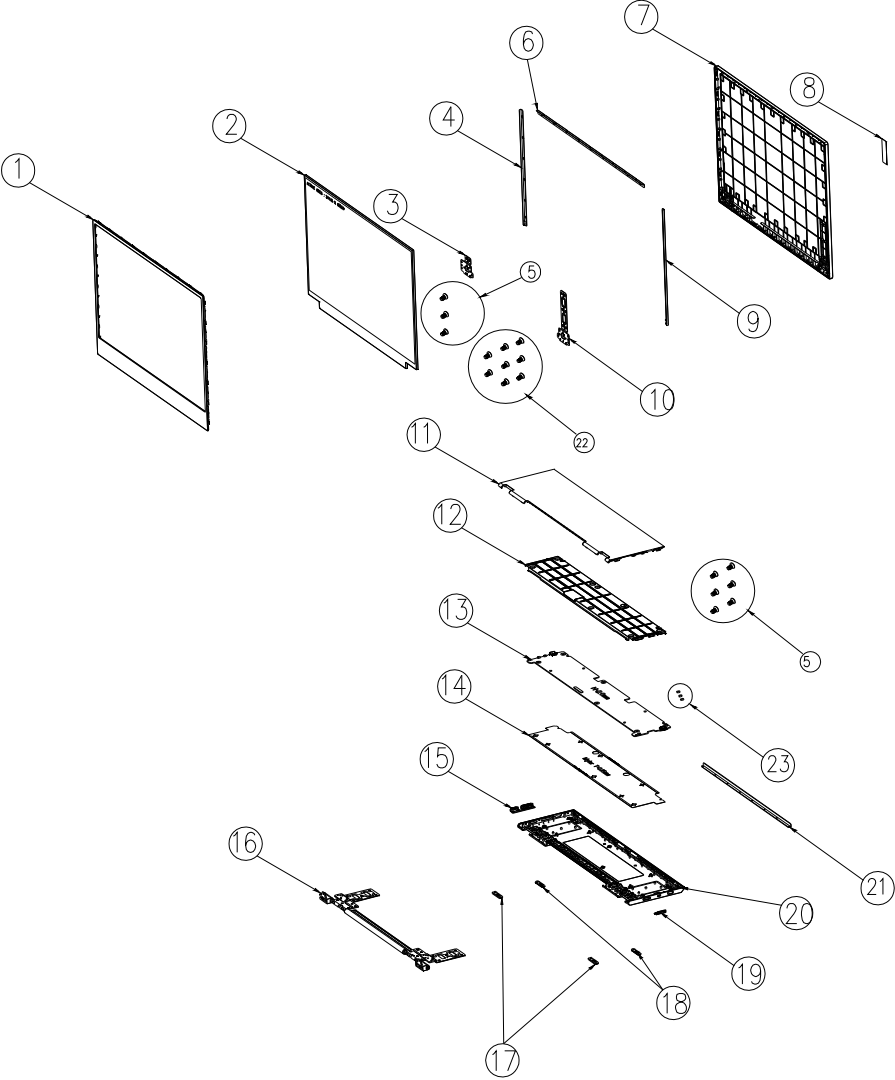


# L15 Simplified service manual for dismantling

Model Name: Lenovo L15



Exploded Diagram



## 1. Precaution

Please read the precaution as follows to prevent any damages to the LCD Monitor.

Make sure all power connector is removed. Be sure that the LCD Monitor is in power off status.

<p>Prepare soft cloth and sponge as working platform to place LCD monitor horizontally.</p>	
<p>Hold LCD by the side carefully and DON'T touch or press panel directly.</p>	

## 2. Appropriate tools

Select the Appropriate tools for disassembly and re-assembly.

Phillips screwdriver (#2)	
spacer screwdriver	
C/D disassembly tool	
Gloves or soft cloth	

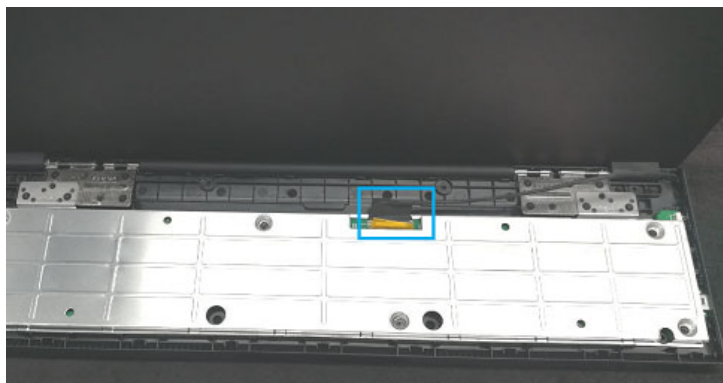
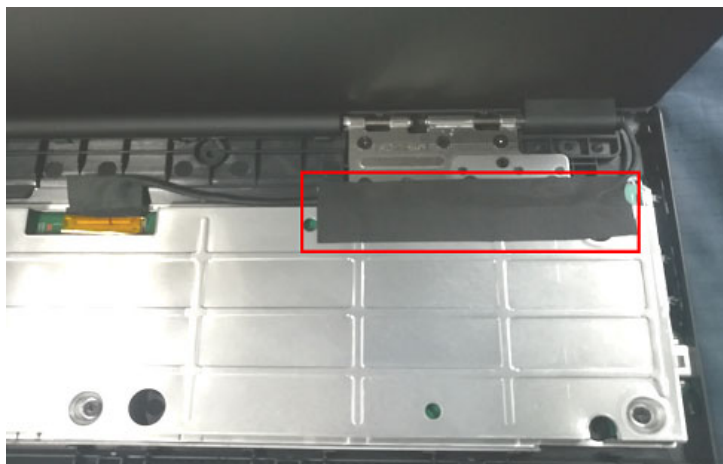
### 3. Disassembly SOP

#### Remove the BASE\_TOP and the rear cover

Starting from the back of the monitor.



#### Take off the tapes and disconnect the connectors.



Remove the screw\*6pcs to remove the SHIELD\_MAINBOARD



The panel



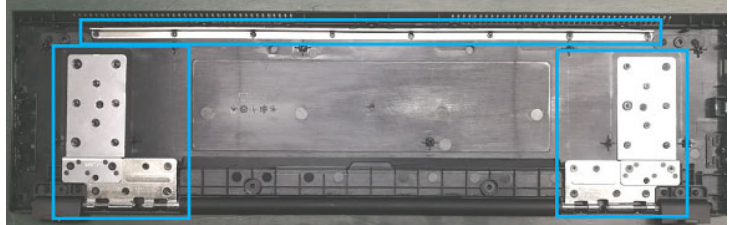
Remove the main board



Remove the screw\*6pcs to remove the Hinges



Remove the Mylar



The rear cover

