



www.elotouch.com

Included items:

- 1x EloPOS Touchcomputer
- 1x Power Cable US/Canada
- 1x Power Cable Europe
- 1x +24 Volt Power Adaptor
- 1x RJ45 to RS232 Serial Cable
- 1x Quick Install Guide
- 1x Security Cover & Screws
- 1x Cable Management Kit

Quick Installation Guide

EloPOS

All-in-One TouchComputer

Elo Touch Solutions Technical Support

Online self-help:
www.support.elotouch.com

Revision C
P/N E511178

North America

800-ELO-TOUCH
Tel +1 408 597 8000
EloSales.NA@elotouch.com

Asia-Pacific

Tel +86 (21) 3329 1385
www.elotouch.com.cn

Europe

Tel +32 (0)16 70 45 00
elosales@elotouch.com

Latin America

Tel +54 11 4785-9129
EloSales.LATAM@elotouch.com



The information in this document is subject to change without notice. Elo Touch Solutions, Inc. and its Affiliates (collectively "Elo") makes no representations or warranties with respect to the contents herein, and specifically disclaims any implied warranties of merchantability or fitness for a particular purpose. Elo reserves the right to revise this publication and to make changes from time to time in the content hereof without obligation of Elo to notify any person of such revisions or changes.

No part of this publication may be reproduced, transmitted, transcribed, stored in a retrieval system, or translated into any language or computer language, in any form or by any means, including, but not limited to, electronic, magnetic, optical, chemical, manual, or otherwise without prior written permission of Elo Touch Solutions, Inc.

Elo (logo) and Elo Touch Solutions are trademarks of Elo and its Affiliates.

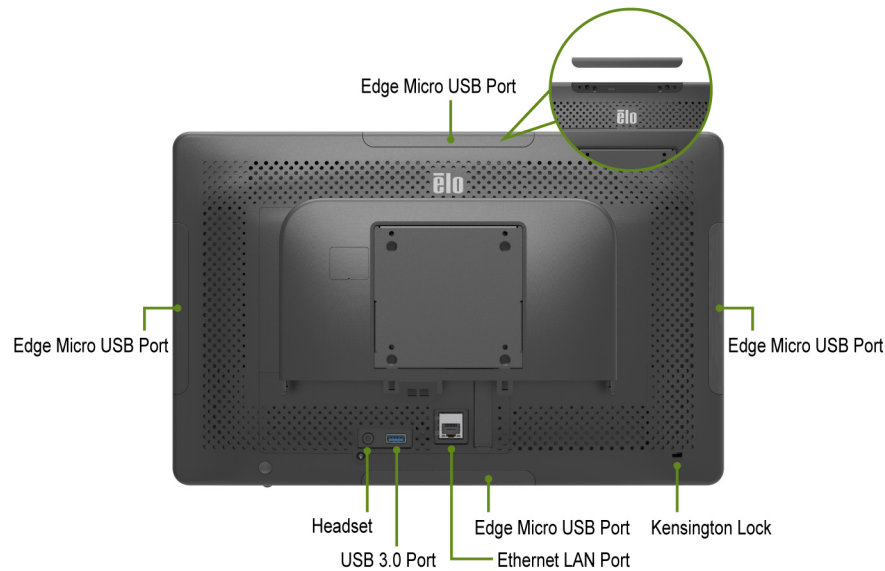


Please go to www.elotouch.com/support to verify you have the latest drivers before installing this device.

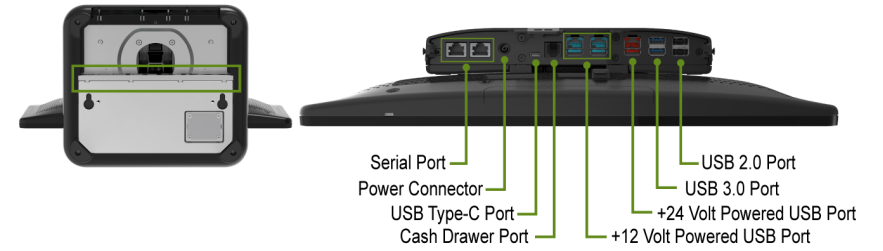
- 1 Connect the power adaptor (16:9 model is shown below).



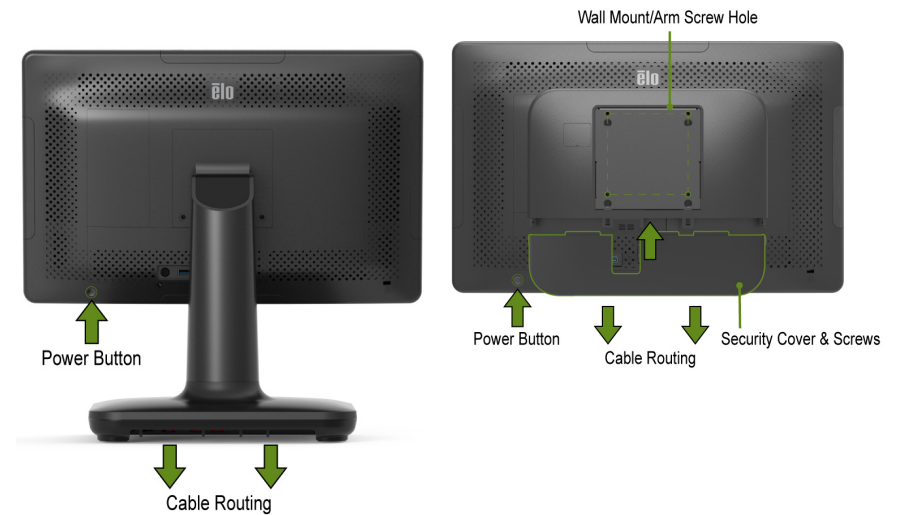
- 2 Make additional connections from the back of the Touchcomputer.



- 3 Make additional connections from the bottom of the stand module or the Touchcomputer.



- 4
- Install the security cover for the head only model, and route the cable with cable management kit.
 - Mount on stand or wall using 75 mm x 75 mm VESA mounting interface for the head only model.
 - Press the power button to turn on the Touchcomputer.



Included items:

1x Assembled Rear Facing Display Mount Module
1x Quick Install Guide
Screw, M4x10, Qty 3 (Bag A)
Screw, M4x7, Qty 4 (Bag B)
Screw, M3x8, Qty 1 and Cable Clamp, Qty 1 (Bag C)



Quick Installation Guide

EloPOS Rear Facing Display Mount Kit

Revision B
P/N E908182

Learn more about Elo at EloTouch.com

Americas

Tel +1 408 597 8000
EloSales.NA@elotouch.com

Europe (EMEA)

Tel +32 16 930 136
EMEA.sales@elotouch.com

Asia Pacific

Tel +86 (21) 3329 1385
EloAsia@elotouch.com



The information in this document is subject to change without notice. Elo Touch Solutions, Inc. and its Affiliates (collectively "Elo") makes no representations or warranties with respect to the contents herein, and specifically disclaims any implied warranties of merchantability or fitness for a particular purpose. Elo reserves the right to revise this publication and to make changes from time to time in the content hereof without obligation of Elo to notify any person of such revisions or changes.

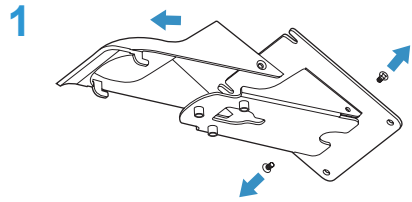
No part of this publication may be reproduced, transmitted, transcribed, stored in a retrieval system, or translated into any language or computer language, in any form or by any means, including, but not limited to, electronic, magnetic, optical, chemical, manual, or otherwise without prior written permission of Elo Touch Solutions, Inc.

Elo and the Elo logo are either trademarks or registered trademarks of Elo Touch Solutions, Inc.

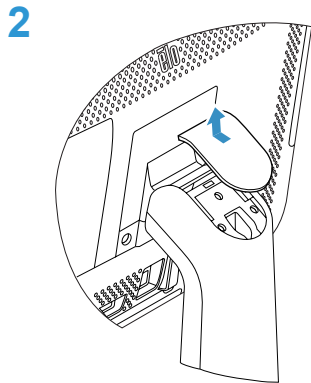


Installation

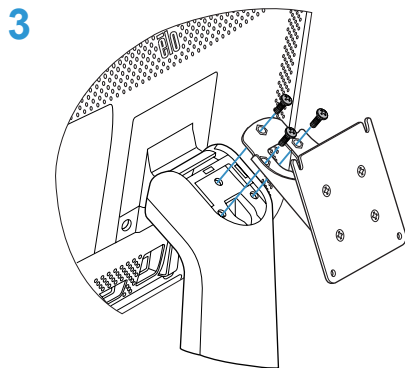
Note: Please use E969524 – USB-C Cable Kit for optimal monitor performance.



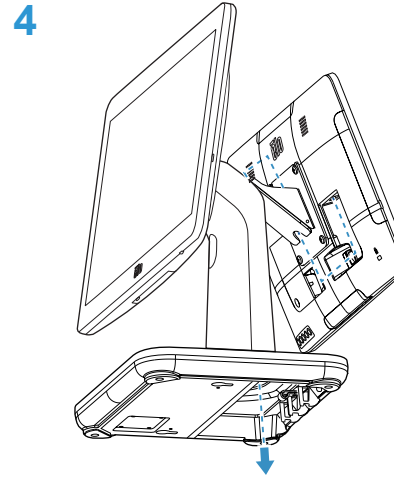
Remove the display bracket cover.



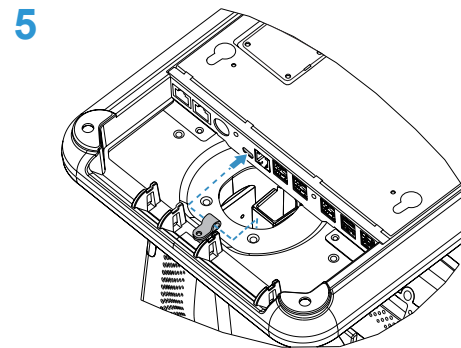
Remove the stand cover.



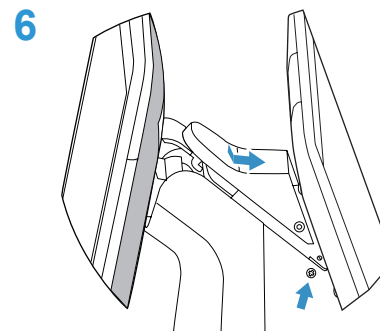
Add the display bracket to the stand using (3) screws from bag A.



Attach a monitor to the display bracket using (4) screws from bag B.
Plug in the USB-C cable and route through the stand.



Plug in the other end of the USB-C cable to the base and secure with the supplied cable clamp and screw from bag C.



Secure the display bracket cover.