

## VideoPlex4000 Video Wall Controller - 4K, HDMI

# Quick Start Guide



### Contact Information

Order toll-free in the U.S. or for FREE 24/7 Technical Support: Call 877-877-BBOX  
(outside U.S. call 724-746-5500)  
[www.blackbox.com](http://www.blackbox.com) • [info@blackbox.com](mailto:info@blackbox.com)

# VideoPlex4000 Quick Start Guide

## Quick Start Guide

A version of the Quick Start Guide is included for your convenience.

### What's Included

- VideoPlex4000 unit
- (1) power cable
- (1) USB 2.0 cable Type A to Type B
- (1) Quick Start Guide
- (2) HDMI Locks: with the DisplayPort model
- (6) HDMI Locks: with the HDMI model
- (2) rackmount brackets
- (6) rackmount screws
- (1) DVD containing the software application and the VideoPlex 4000 user guide

If any of the items are missing, please contact Black Box for further instructions.

The VideoPlex4000 is not supplied with input and output cables, so make sure you have the relevant cables to hand to complete your project.

### Step 1: Connecting the Inputs

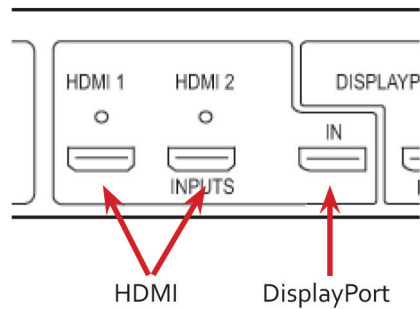


Figure QS-1.

Connect your input source to one of the 3 input connectors on the rear of the VideoPlex4000. You can connect up to 3 input sources, (2) HDMI and (1) DisplayPort.

Ensure cables are inserted correctly; we recommend using locking cable connectors.

### Step 2: Connecting the Outputs

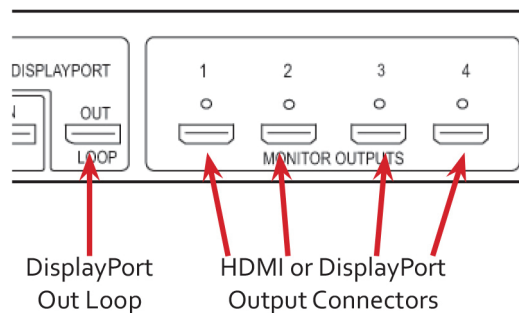


Figure QS-2.

Connect the monitor cables to the monitor output connectors on the rear of the VideoPlex4000. You can connect up to four monitors to a single VideoPlex4000 unit. Ensure the cables are inserted correctly; we recommend using locking connectors.

The DisplayPort Out Loop is used when connecting multiple VideoPlex4000 units.

## Step 3: Connect a Main Power Cable

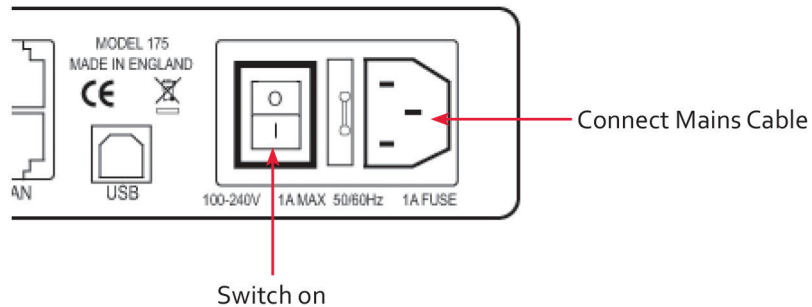


Figure QS-3.

When the power is switched on, the VideoPlex4000 will boot and the LEDs on the front panel will flash for up to 15 seconds. If the LED's continue to flash, see the troubleshooting section.

## Step 4: Connecting to a PC

To successfully configure the VideoPlex4000, first install the VideoPlex Designer application on your PC by running the install program from the DVD.

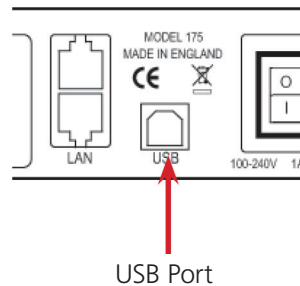


Figure QS-4.

When the VideoPlex4000 has booted, connect it to your PC using the USB cable provided. The VideoPlex4000 unit is a plug-and-play device, VideoPlex Designer will detect it when the layouts are configured.

The VideoPlex4000 can also be configured via a Network, see **Step 5**.

## Step 5: Configure Via a Network

The VideoPlex4000 has dual Ethernet ports to allow users to add the device to their network. Only one VideoPlex4000 in any chain requires connection to the physical LAN, because Ethernet loopthrough is supported on the second LAN Port, meaning multiple devices can be connected.

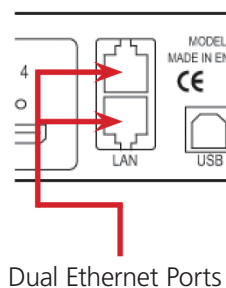


Figure QS-5.

# VideoPlex4000 Quick Start Guide

Connect the VideoPlex4000 to a network using the top LAN connector then open VideoPlex Designer and create your display layout. When you associate the virtual device with a physical device, the list will display all VideoPlex4000's currently connected to the network either directly- or daisy-chained.

Click on the virtual device to display its properties. The Device Properties can be changed in the same way as if connecting via USB. Once any changes have been made, click on Apply Settings to save.

## Step 6: VideoPlex Designer

Start → All Programs |→ VideoPlex Designer

When VideoPlex Designer is opened, the following dialog is displayed:

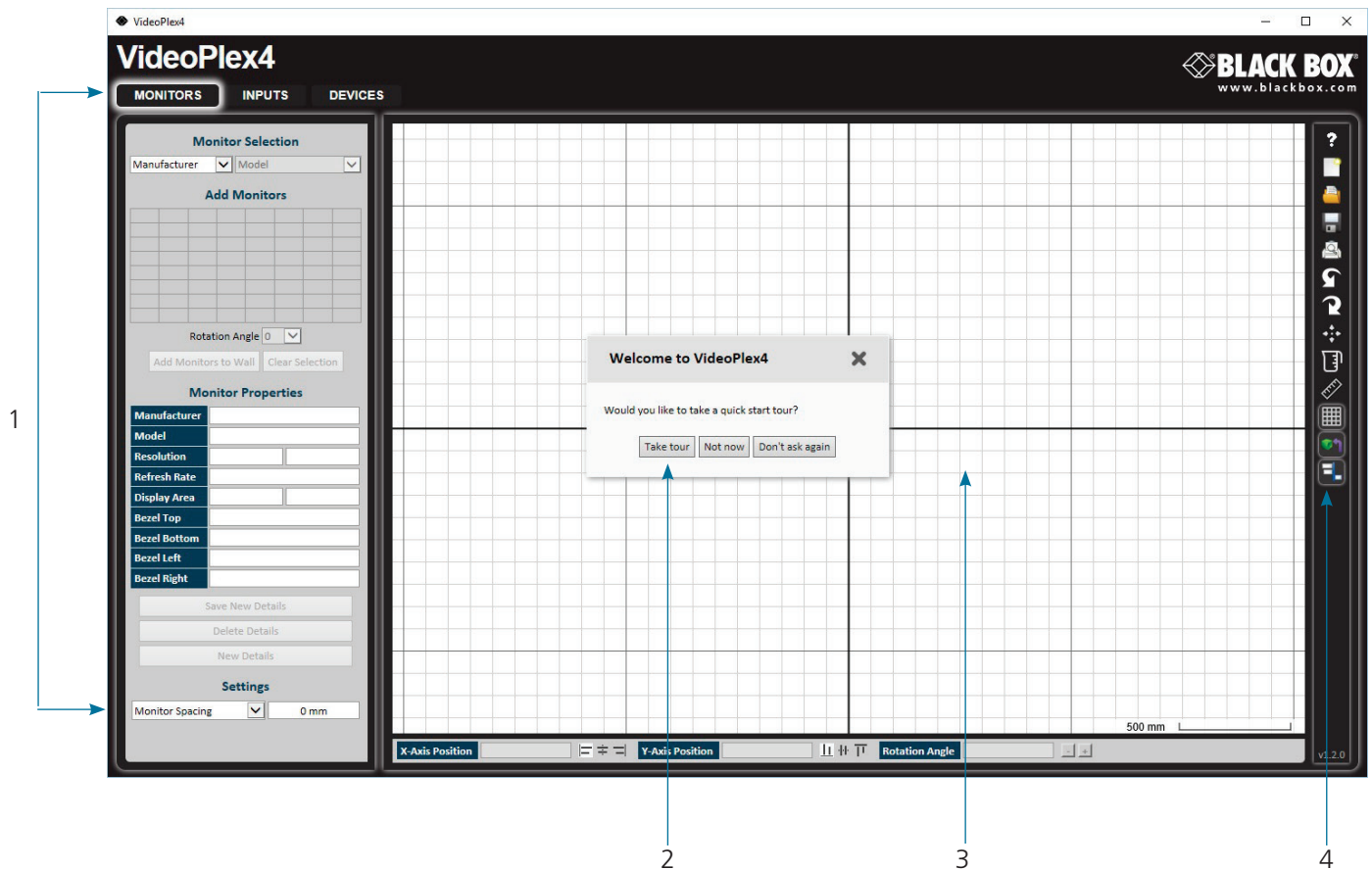
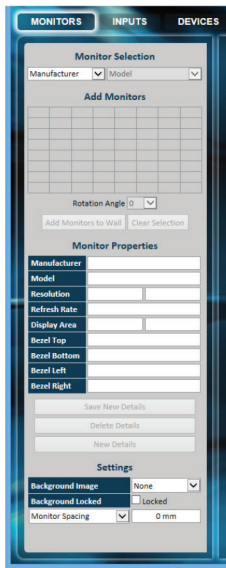


Figure QS-6.

- 1: Operation Modes: Select monitors, inputs, and configure devices.
- 2: Quick Tour Dialog. When using the program for the first time, we recommend taking the Quick Start Tour.
- 3: Virtual Canvas
- 4: Toolbar

Step 7: Operation

Monitors



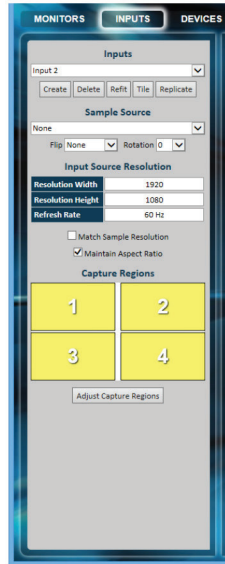
Select the monitor manufacturer from the drop-down list on the left, then select the model.

Choose the number of monitors by clicking and dragging in the Add Monitors grid.

Select a background to enhance the Virtual Canvas.

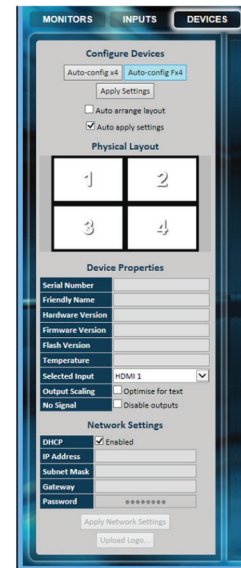
Click Add Monitors to Wall, then open the Inputs tab.

Inputs



Set up your input sources to be displayed on your monitors. Click on the Create button and select a sample source for a preview of what the display wall will look like.

Devices



Configure hardware devices by clicking on Auto-configure VideoPlex4000. Once you are satisfied with the configuration, right-click on the virtual device in the main window and associate it with the physical device connected to your computer or on your network.

To complete the device configuration, click on the Apply Settings button.

Figure QS-7.

## Step 8: Multiple Devices

Where more than four outputs are required (the example below shows eight), the Auto Config VideoPlex4000 function will determine the most logical way to connect all devices. To daisy chain a second VideoPlex4000, use a DisplayPort cable (not supplied) to connect the DisplayPort Out Loop on the first VideoPlex4000 to the DisplayPort Input on the second VideoPlex4000.

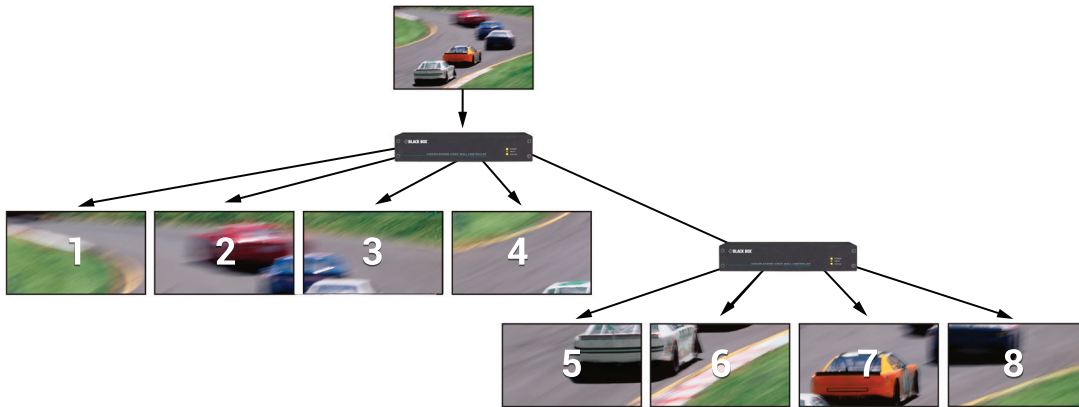


Figure QS-8.

## Step 9: Rackmounting (Optional)

Remove the stud screws on the side of your VideoPlex4000, and secure the rack mounts using the screws provided.

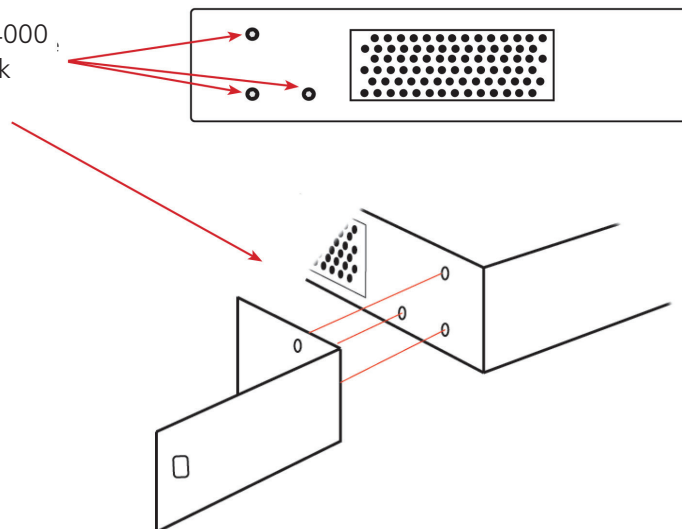


Figure QS-9.

## Step 10: IP Control Panel

The VideoPlex4000 has a control panel that can be accessed via an IP connection; simply type in the IP address of the VideoPlex4000 into an Internet browser and a control panel for that particular VideoPlex4000 is displayed. The control panel allows you to change properties and settings, manually define cropping regions, upload your particular logo, or open the VideoPlex Designer application.

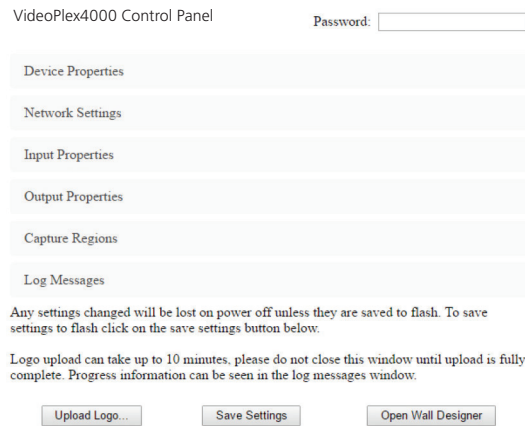


Figure QS-10.

## Step 11: Troubleshooting

### Display Screens Turn Red

If all the display screens turn red, this indicates that there is an issue with HDCP compliance. Check that both the input source and the monitors are HDCP compliant.

### Front Panel LED Lights

On start-up all three lights will flash, after a few seconds the flashing should stop and the power light stays on permanently. If the light continues to flash, the VideoPlex4000 requires upgrading. Contact Technical Support for details on how to upgrade your VideoPlex4000.

**Black Box Tech Support: FREE! Live. 24/7.**

Tech support the  
way it should be.



Great tech support is just 60 seconds away at 877-877-2269 or [blackbox.com](http://blackbox.com).



### About Black Box

Black Box provides an extensive range of networking and infrastructure products. You'll find everything from cabinets and racks and power and surge protection products to media converters and Ethernet switches all supported by free, live 24/7 Tech support available in 60 seconds or less.

© Copyright 2016. Black Box Corporation. All rights reserved. Black Box® and the Double Diamond logo are registered trademarks of BB Technologies, Inc. Any third-party trademarks appearing in this manual are acknowledged to be the property of their respective owners.

vsc-vplex4000\_qsg\_rev1

877-877-2269 | [blackbox.com](http://blackbox.com)