

PowerStruXure Type A Installation Overview 200–208 V, 2–6 kVA Systems

Important Safety Instructions

SAVE THESE INSTRUCTIONS—This safety section contains important instructions that must be followed during installation and maintenance of APC equipment.



See the product documentation shipped with your system components for detailed safety instructions to avoid personal injury or equipment damage.

Overview

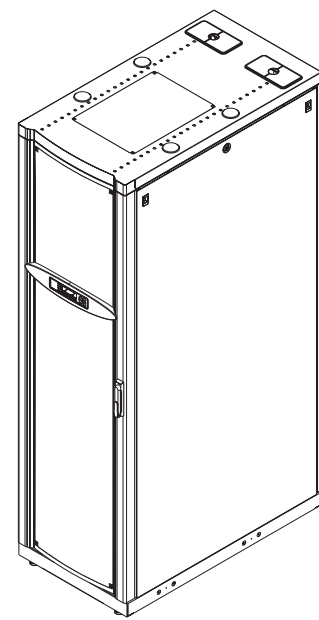
PowerStruXure® Type A is an integrated rack and power system consisting of an easy-to-install network infrastructure for data rooms. Many APC products and accessories can integrate seamlessly with this system.

This guide is an overview of how to install and operate your system. See the accompanying documentation for detailed installation, operation and maintenance instructions for your system components.

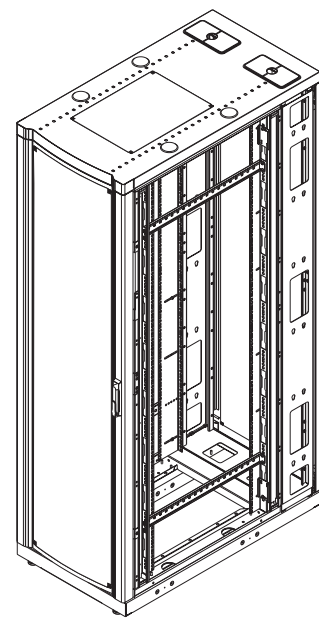
Contact your APC representative or visit www.apc.com/support for PowerStruXure Type A options and product documentation.

System Components

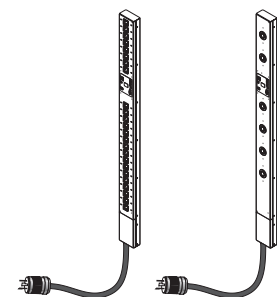
Illustrations are representative. Your PowerStruXure Type A configuration, including components and optional APC equipment, may be different from the models shown in this guide.



Base Enclosure



NetShelter VX Expansion Enclosure



Rack-Mount Power Distribution Units (PDUs)

1 Prepare and Plan the Installation

Before beginning this step, see the *PowerStruXure Type A Site Preparation Guide for 208 V, 2–6 kVA Systems* to properly plan and prepare the installation site.

Plan and prepare the physical, space, environmental and electrical requirements for your system.

2 Verify the Shipment

- A. Ensure that all labeled pallets and boxes match the purchase order.
- B. Do not unpack the pallets and boxes until ready to install the system.

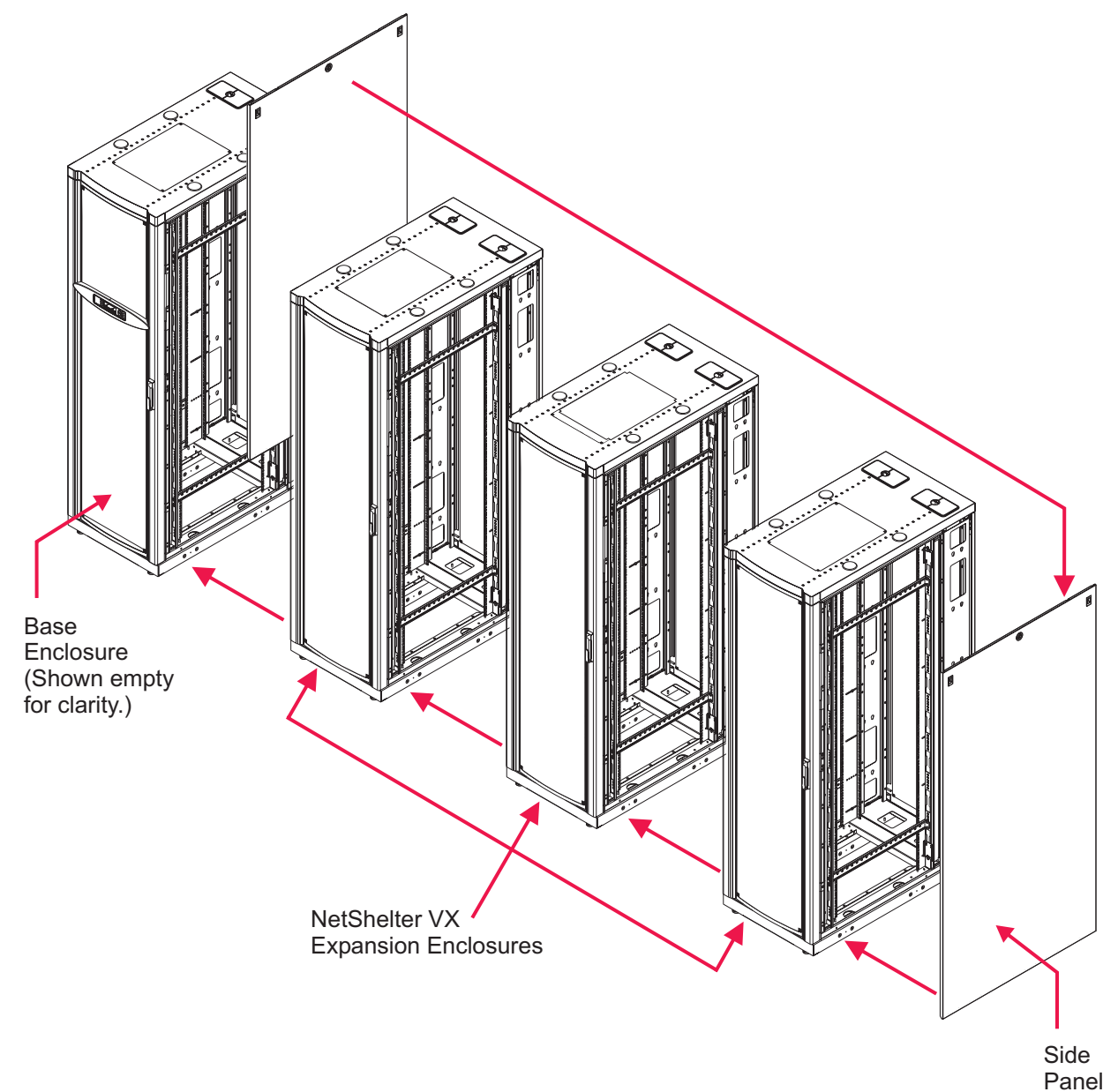


Batteries can be permanently damaged if installed in a system that is not being used. Store battery module(s) at an ambient temperature below 25 °C (77 °F).

3 Set Up the System

Before beginning this step, see the *Unpacking a NetShelter with Pre-Installed Equipment* sheet to properly unpack the enclosures and the *NetShelter VX 1070 mm Enclosure User's Manual* to set up and install the enclosures.

- A. Locate the Base Enclosure and set up the system as follows:
 1. Unpack and move the Base Enclosure to its planned location.
 2. Unpack and attach up to three NetShelter VX Expansion Enclosures.
- B. Lower the castor leveling feet once the enclosures are joined together.

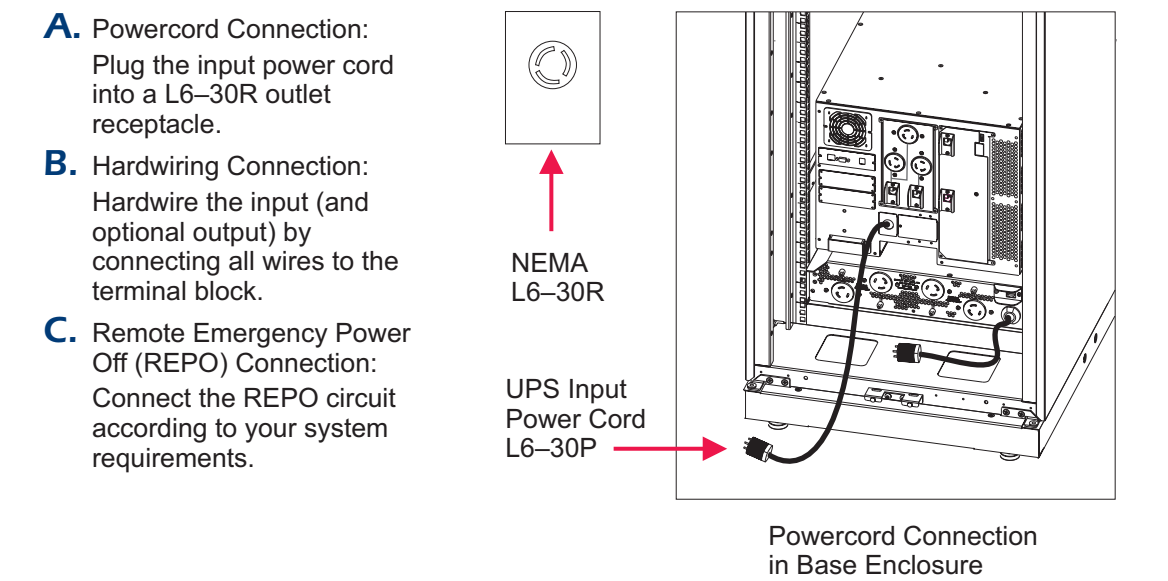


4 Connect the UPS

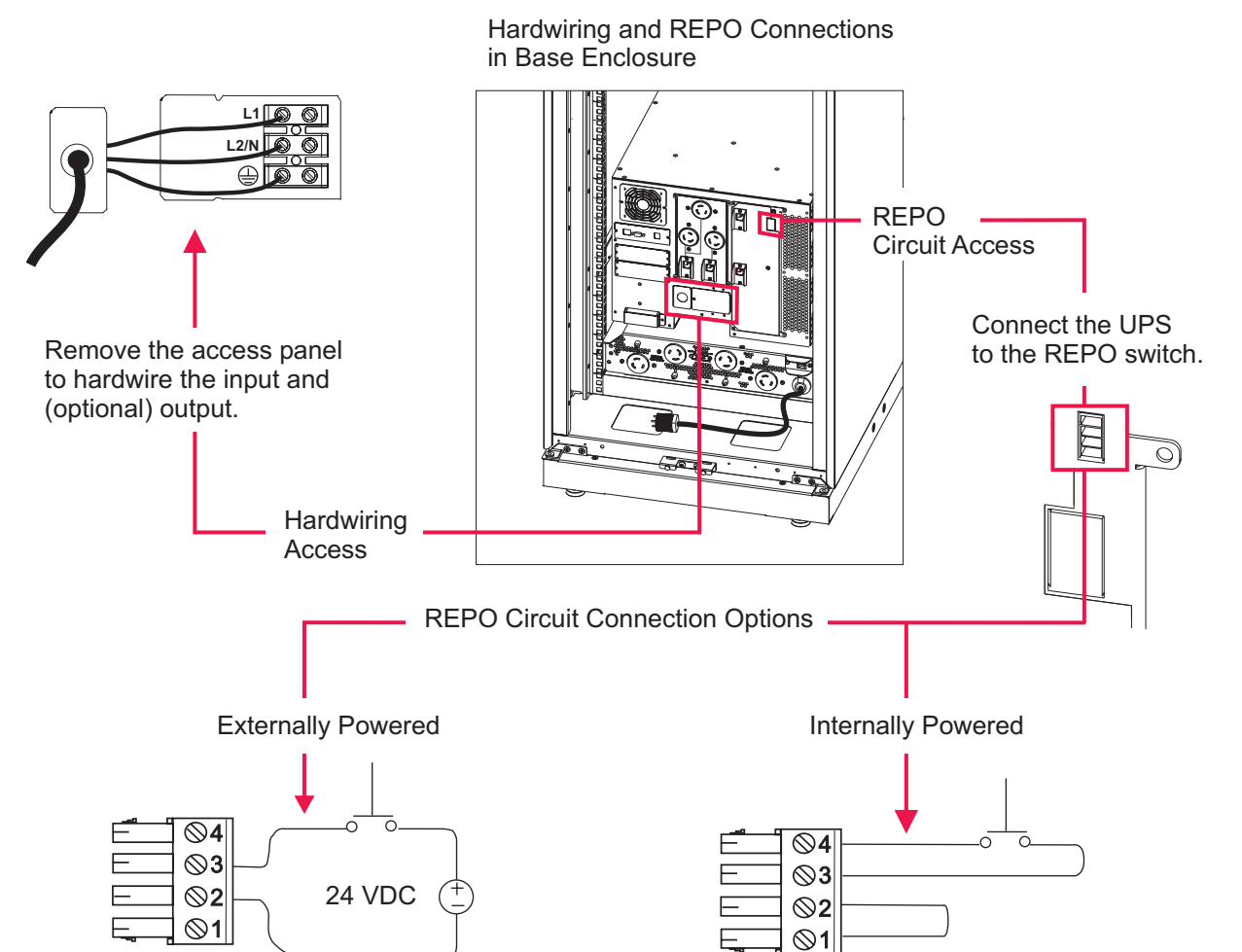
Before beginning this step, see the "Electrical Requirements" and "Wiring the UPS" sections of the *Symmetra RM [2–6 kVA N + 1 Redundant] Power Array User's Manual* for additional installation instructions.



- Check national and local codes before wiring.
- A licensed electrician is required for hardwiring connections.
- Ensure that all battery modules, including Extended Run Cabinet batteries, are not installed.
- Verify that the branch circuit (mains) and low voltage (control) circuits are de-energized and locked out before installing cables or making connections, whether in the junction box or to the UPS.



- A. Powercord Connection: Plug the input power cord into a L6–30R outlet receptacle.
- B. Hardwiring Connection: Hardwire the input (and optional output) by connecting all wires to the terminal block.
- C. Remote Emergency Power Off (REPO) Connection: Connect the REPO circuit according to your system requirements.



5 Install the Extended Run Cabinet (Optional)

Before beginning this step, see the *Symmetra RM Extended Run Cabinet Setup Guide* for detailed safety instructions and Steps 1–5 to install the rails and frame.

If your system includes Extended Run Cabinets, install ONLY the rails and frame above the UPS in the Base Enclosure. DO NOT INSTALL THE BATTERY MODULES.



Batteries can be permanently damaged if installed in a system that is not being used. Store battery module(s) at an ambient temperature below 25 °C (77 °F).



Two people are required to install the Extended Run Cabinet.

