

# 5520 Series Quick Reference

Follow these steps to get the switch ready for use.

For complete installation instructions see the *5520 Series Hardware Installation Guide* at [www.extremenetworks.com/documentation](http://www.extremenetworks.com/documentation)

## Necessary Tools

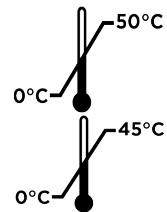


- #2 Phillips screwdriver (magnetic screwdriver recommended)
- ESD-protective wrist strap

## 1 Prepare the Site

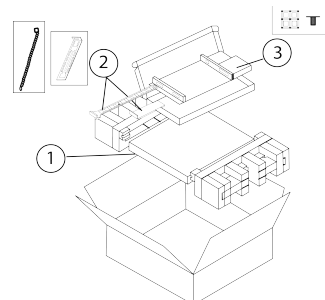
The installation site must meet the following requirements:

- Appropriately grounded power receptacles located within 1.8 m (6 ft.).
- A readily accessible device for disconnecting power, such as a breaker or master switch.
- Network cabling within reach.
- Up to at least of 7.6 cm (3.0 in.) on all sides, for proper ventilation.
- Temperature between 0°C (32°F) and 50°C (122°F) with front-to-back airflow and 0°C (32°F) to 45°C (113°F) with back-to-front airflow; see "Operating Conditions" for back-to-front airflow temperature -- with fluctuations of less than 10°C (18°F) per hour.



## 2 Unpack the Box

Remove the packing material, and verify that all of the following components are included:



- Switch
- Mid-long rack ears (2), long rails (2)
- Rubber feet and screws (24)

Console cables are ordered separately. See the 5520 Series data sheet for available options.

If the switch appears to be damaged, contact Extreme Networks. See "Getting Help" for more information.

## 3 Install the 5520 Series

You can install any 5520 Series in a standard 19-inch equipment rack.

### Two-Post Mount

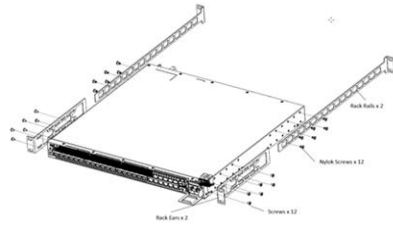
5520 Series revision AD or later can use the two-post mounting kit (XN-2P-RMKIT-005) which can be ordered separately. See the *5520 Series Hardware Installation Guide* at [www.extremenetworks.com/documentation](http://www.extremenetworks.com/documentation) for installation instructions.

### Four-Post Mount

This procedure uses the four-post mounting kit (XN-4P-RMKIT-005), which is included with your switch.

- Attach a rack ear to one side of the switch, screwing it into the holes so that the flange (ear) is flush with the front of the switch.
- Attach the other rack ear to the other side.
- Attach the rack rails to both sides of the switch using rack screws (rack screws provided).
- Attach the rack ears to the front rack posts, using the screws (rack post screws not provided).

- Slide the rack rails into the rack ears on both sides, and adjust them to the appropriate rack depth.



- Attach the rack rails to the rear rack posts, using the rack screws (not provided)

## 4 Install VIM or Transceiver

**(Optional)** Versatile Interface Modules (VIM) provide dedicated high-speed ports. The 5520 Series accommodates one VIM, using the slot on the front of the switch.

**(Optional)** Transceivers send and receive data over optical fiber rather than through electrical wires. Insert transceivers into any of the switch's data ports.



**Warning:** To prevent damage to the switch or VIM, the switch must be powered OFF when removing or installing a VIM.

To install a VIM:

- Attach the ESD wrist strap to your wrist and connect the metal end to an appropriate ground point on the rack.
- Ensure that the switch is completely turned off.
- Unscrew the captive screws by hand to remove the VIM cover plate.
- Remove the VIM from its packaging.
- Carefully slide the VIM into the slot until it is firmly in place.
- Secure the VIM using the captive screws on the cover plate.

To install a transceiver:



**Note:** Transceivers can be Class 1 or Class 1M laser devices.

- Attach the ESD wrist strap to your wrist and connect the metal end to an appropriate ground point on the rack.
- Remove the transceiver from its packaging.
- If applicable, remove the protective dust cover from the connector.
- Hold the transceiver so that the connector will seat properly.
- Carefully align the transceiver with the port slot.
- Push the transceiver into the port slot until it clicks into place.

## 5 Connect Power

5520 Series switches run on AC or DC power. Connect the switch to a primary power source.



**Note:** Installing the system as described in this guide meets the protective earth grounding requirements of the National Electrical Code (NEC), UL/CSA/IEC/EN 62368-1 standards. However, in some cases, it may be necessary to use an alternative grounding method. In these cases, a 14 AWG wire can be connected between the grounding lug on the chassis and a nearby building ground point.

### Connecting to the Primary Power Source

To attach your 5520 Series to a power source, do the following:

- Connect the AC power cord to the AC power input socket on the power supply and an AC power outlet.
- For DC powered supplies, verify that the DC circuit is de-energized and then do the following:
  - Identify the grounding stud on the DC power supply. The grounding stud is next to the DC input connector, identified by the international symbol for earth ground.
  - Using the nut and washer provided, connect the ring terminal end of the ground wire to the grounding stud on the DC power supply. Use green and yellow stranded copper wire, sized at least 14 AWG.
  - Connect the other end of the ground wire to a reliable earth ground.
  - Connect the DC power input cables to the DC input connector provided. Use copper wires rated for at least 60°C and sized between 14 AWG and 8 AWG.
  - Energize the circuit. When power is connected, verify that the switch's PWR LED turns green. If the PWR LED does not turn green, refer to 5520 Hardware Installation Guide for troubleshooting information.

## 6 Update and Configure the Switch

Switch Engine is the default operating system (OS) for the 5520 Series. You can change the switch OS from the Bootloader Menu on initial activation only. See *5520 Series Hardware Installation Guide* for all OS upgrade and selection procedures.

To change the switch OS via the Bootloader Menu:

- Connect the switch to a console with a baud rate of 115200.
- Once the switch is powered or reset, press the **spacebar** key within 30 seconds after seeing the "5520 Boot Menu" screen to activate the Bootloader Menu.

- Use the **down-arrow** key to select **Change the switch OS to Fabric Engine**, then select **Enter**.
- The switch will install Fabric Engine, then reset.

## Safety Notices



**Caution! Shock hazard!**  
Disconnect all power inputs before servicing.



**Electrical Hazard:** Only qualified instructed or skilled personnel should perform installation, repair, or disassembly procedures.

**Risques d'électrocution:** Seul un personnel qualifié ou expérimenté peut effectuer les procédures d'installation, de réparation ou de démontage.

**Warning:** Extreme Networks power supplies do not have switches for turning the unit on and off. Before servicing, disconnect all power cords to remove power from the device. Make sure that these connections are easily accessible.

**Avertissement:** Extreme Networks alimentations n'ont pas d'interrupteurs pour allumer ou éteindre l'appareil. Avant l'entretien, débranchez tous les cordons d'alimentation pour couper l'alimentation de l'appareil. Assurez-vous que ces connexions sont facilement accessibles.



**Warning:** This equipment is designed for installation in restricted access locations and suitable for installation in Information Technology Rooms in accordance with Article 645 of the National Electrical Code and NFPA 75, not suitable for use in locations where children are likely to be present.

**Avertissement:** Cet équipement est conçu pour être installé dans des endroits à accès restreint et peut être installé dans des salles informatiques conformément à l'article 645 du Code national de l'électricité et à la norme NFPA 75, et ne peut être installé dans des endroits où des enfants sont susceptibles d'être présents.



**Warning:** A dedicated Listed circuit breaker rated at 15A is to be used for each power supply connection.

**Avertissement:** Un disjoncteur certifié 15A et dédié à l'installation doit être utilisé pour chaque connexion d'alimentation.



**Caution:** Before mounting the device, ensure that the rack can support it without compromising stability. Otherwise, personal injury or equipment damage may result.



**Caution:** Follow appropriate ESD procedures when unpacking and handling the switch. These include unpacking the switch in an ESD-safe environment and wearing appropriate ESD protective gear, such as ESD-safe footwear and ESD wrist straps where appropriate.



**Caution:** Use of controls or adjustments or performance of procedures other than those specified herein may result in hazardous radiation exposure.

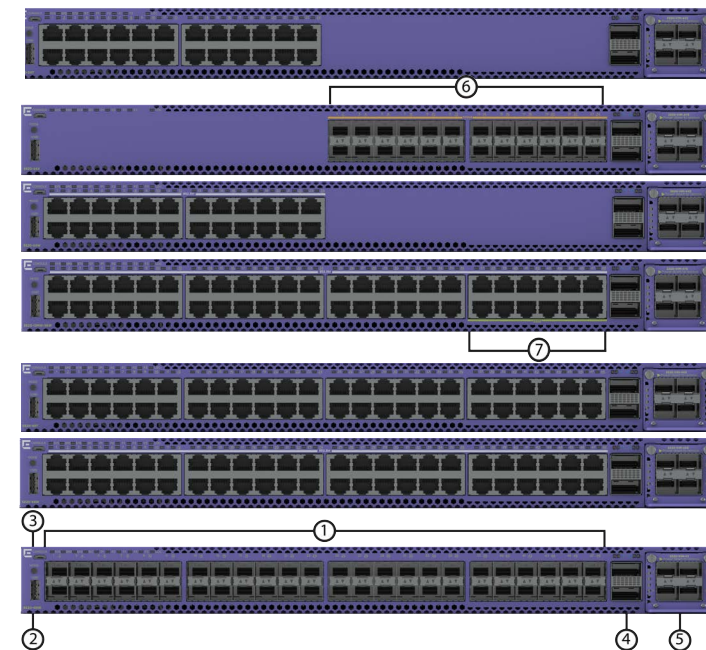


**Warning:** Do not use optical instruments to view the laser output. The use of optical instruments to view laser output increases eye hazard. Use only UL/CSA, IEC/EN60825-1/-2 recognized pluggable modules.

**Avertissement:** Ne pas utiliser d'instruments optiques pour regarder l'extrémité du laser. L'utilisation d'instruments optiques pour regarder l'extrémité du laser représente un danger pour les yeux. Utilisez uniquement des modules certifiés UL/CSA, IEC/EN60825-1/-2.

## Hardware Components

Figure 1 5520 Series: Front Panels

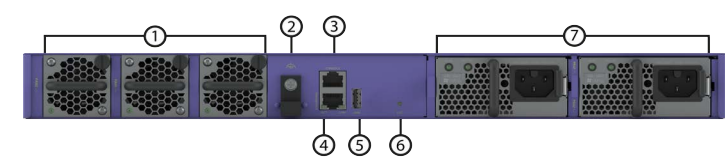


- 10/100/1000Mb ports or 100/1000BASE-X SFP ports (5520-48SE)
- USB 1 port
- Micro-B USB console port
- Universal Ethernet QSFP28 ports
- VIM ports
- 1Gb/10Gb SFP+ ports
- 100Mb/1/2.5/5Gb multi-rate ports (5520-12MW-36W)

Figure 1 5520 Series: Rear Panel of 24T and 24X models



Figure 2 5520 Series: Rear Panel of all other models



- Fan modules
- Grounding lug
- Serial console port
- OOB management port
- USB 2 port
- Locator LED
- Power supply slots

For component details, see the *5520 Series Hardware Installation Guide*.

## Operating Conditions

**Operating Temperature:**

0°C (32°F) to 50°C (122°F), front-to-back airflow  
0°C (32°F) to 45°C (113°F), back-to-front airflow  
Temperature restrictions apply for some models at high altitudes. See *5520 Series Hardware Installation Guide* for details.

**Storage Temperature:**

-40°C to 70°C (-40°F to 158°F)

**Operating Relative Humidity:**

5% to 95% (non-condensing)

## Interfaces

Each 5520 Series includes a Micro-B USB console port, an RJ-45 management port, an RJ-45 serial console port, 2 stacking Universal Ethernet QSFP28 ports, 2 USB A ports for connecting to memory, and 1 empty VIM slot. 5520 factory switches are pre-loaded with both Switch Engine and Fabric Engine OSs. The following table lists the specific interfaces for each switch.

5520-24T-BASE	24 10/100/1000Mb full/half duplex MACsec capable ports, 2 empty fan module slots, 2 empty PSU slots
5520-24T-ACDC	24 10/100/1000Mb full/half duplex MACsec capable ports, 3 empty fan module slots, 2 empty PSU slots
5520-24T	24 10/100/1000Mb full/half duplex MACsec capable ports, 2 fan modules with front-to-back airflow, 2 empty PSU slots
5520-24X-BASE	24 1Gb/10Gb SFP+ ports, 2 empty fan module slots, 2 empty PSU slots
5520-24X-ACDC	24 1Gb/10Gb SFP+ ports, 3 empty fan module slots, 2 empty PSU slots
5520-24X	24 1Gb/10Gb SFP+ ports, 2 fan modules with front-to-back airflow, 2 empty PSU slots
5520-24W	24 10/100/1000Mb full/half duplex MACsec capable ports with 802.3bt Type 4 PoE (90W), 3 fan modules with front-to-back airflow, 2 empty PSU slots
5520-12MW-36W	12 100Mb/1/2.5/5Gb multi-rate ports and 36 10/100/1000Mb full/half duplex MACsec capable ports with 802.3bt Type 4 PoE (90 W), 3 fan modules with front-to-back airflow, 2 empty PSU slots
5520-48T-BASE	48 10/100/1000Mb full/half duplex MACsec capable ports, 3 empty fan module slots, 2 empty PSU slots
5520-48T-ACDC	48 10/100/1000Mb full/half duplex MACsec capable ports, 3 empty fan module slots, 2 empty PSU slots
5520-48T	48 10/100/1000Mb full/half duplex MACsec capable ports, 3 fan modules with front-to-back airflow, 2 empty PSU slots
5520-48W	48 10/100/1000Mb full/half duplex MACsec capable ports with 802.3bt Type 4 PoE (90 W), 3 fan modules with front-to-back airflow, 2 empty PSU slots
5520-48SE-BASE	48 100/1000BASE-X MACsec capable SFP ports, 3 empty fan module slots, 2 empty PSU slots
5520-48SE-ACDC	48 100/1000BASE-X MACsec capable SFP ports, 3 empty fan module slots, 2 empty PSU slots
5520-48SE	48 100/1000BASE-X MACsec capable SFP ports, 3 fan modules with front-to-back airflow, 2 empty PSU slots

**Note:** Half-duplex operation is supported on copper ports at 10Mb and 100Mb speed only.

## Available Versatile Interface Modules (VIMs)

5520-VIM-4X	Versatile Interface Module with 4 10GbE (SFP+) ports
5520-VIM-4XE	Versatile Interface Module with 4 10GbE (SFP+) ports supporting MACsec and LRM
5520-VIM-4YE	Versatile Interface Module with 4 25GbE (SFP28) ports supporting MACsec

## Available Rack-Mount Kits

XN-4P-RMKIT-005	Four-post fixed rack mount kit
XN-2P-RMKIT-005	Two-post fixed rack mount kit



**Note:** 5520 Series revision AD or later can use the two-post mounting kit (XN-2P-RMKIT-005).



## Power Supply and Fan Options

350W AC power supply (10953 & XN-ACPWR-350W-FB)	Compatible with 5520-24T, 5520-24T-BASE, 5520-24X, 5520-24X-BASE, 5520-48T, 5520-48T-BASE, 5520-48SE, and 5520-48SE-BASE Front-to-back airflow
350W AC power supply (XN-ACPWR-350W-BF, DPS-350AB-42 A)	Compatible with 5520-24T-BASE, 5520-24X-BASE, 5520-48T-BASE, and 5520-48SE-BASE Back-to-front airflow
550W AC power supply (XN-ACPWR-550W-FB)	Compatible with 5520-24T-ACDC, 5520-24X-ACDC, 5520-48T-ACDC and 5520-48SE-ACDC Front-to-back airflow
550W AC power supply (XN-ACPWR-550W-BF)	Compatible with 5520-24T-ACDC, 5520-24X-ACDC, 5520-48T-ACDC, and 5520-48SE-ACDC Back-to-front airflow
550W DC power supply (XN-DCPWR-550W-FB)	Compatible with 5520-24T-ACDC, 5520-24X-ACDC, 5520-48T-ACDC, and 5520-48SE-ACDC Front-to-back airflow
550W DC power supply (XN-DCPWR-550W-BF)	Compatible with 5520-24T-ACDC, 5520-24X-ACDC, 5520-48T-ACDC, and 5520-48SE-ACDC Back-to-front airflow
715W AC PoE power supply (10951 & XN-ACPWR-715W-FB)	Compatible with 5520-24W, 5520-12MW-36W, and 5520-48W Front-to-back airflow
1100W AC PoE power supply (10941 & XN-ACPWR-1100W-FB)	Compatible with 5520-24W, 5520-12MW-36W, and 5520-48W Front-to-back airflow
2000W AC PoE power supply (XN-ACPWR-2000W-F & XN-ACPWR-2000W-FB)	Compatible with 5520-24W, 5520-12MW-36W, and 5520-48W Front-to-back airflow
Spare fan module (17115)	Spare fan module, Front-to-back airflow
Spare fan module (17116)	Spare fan module, Back-to-front airflow

**Note:** XN-ACPWR-xxx-FB power supply units cannot be used with 10941, 10951, 10953, or XN-ACPWR-2000W-F power supply units on the same switch.

## Power Specifications

5520-24T 5520-24X 5520-48T	100-127/200-240 VAC, 50-60 Hz, 2/1 A max. per PSU (for PSSF351101A) 100-240 VAC, 50-60 Hz, 2 A max. per PSU (for DPS-350AB-41 A) Do not mix the PSU models.
5520-24W 5520-12MW-36W 5520-48W	<b>Except for China:</b> 100-127/200-240 VAC, 50-60 Hz, 12/10 A max. per PSU (for PSSF202101A) 100-127/200-240 VAC, 50-60 Hz, 12/6 A max. per PSU (for PSSF112101A) 100-127/200-240 VAC, 50-60 Hz, 9/4.5 A max. per PSU (for PSSF711101A) 100-240 VAC, 50-60 Hz, 8 A max. per PSU (for DPS-715FB A) 100-240 VAC, 50-60 Hz, 12 A max. per PSU (for DPS-1100AB-23 A) 100-120/200-240 VAC, 50-60 Hz, 12/10 A max. per PSU (for DPS-2000AB-22 A) <b>For China only:</b> 100-127/200-240 VAC, 50-60 Hz, 10/10 A max. per PSU (for PSSF202101A) 100-127/200-240 VAC, 50-60 Hz, 12/6 A max. per PSU (for PSSF112101A) 100-127/200-240 VAC, 50-60 Hz, 9/4.5 A max. per PSU (for PSSF711101A) 220 VAC, 50-60 Hz, 4 A max. per PSU (for DPS-715FB A) 220 VAC, 50-60 Hz, 6 A max. per PSU (for DPS-1100AB-23 A) 220-240 VAC, 50-60 Hz, 10 A max. per PSU (for DPS-2000AB-22 A) Do not mix the PSU models.
5520-48SE	100-127/200-240 VAC, 50-60 Hz, 2.5/1.5 A max. per PSU (for PSSF351101A) 100-240 VAC, 50-60 Hz, 2.5A max. per PSU (for DPS-350AB-41 A) Do not mix the PSU models.
5520-24T-BASE 5520-24X-BASE 5520-48T-BASE 5520-48SE-BASE	100-240 VAC, 50-60Hz, 4/2 A max. per PSU (for DPS-350AB-42 A)
5520-24T-ACDC	100-240 VAC, 1.5/0.75 A, 50-60Hz per PSU -48 V to -60 V DC, 4.0A per PSU
5520-24X-ACDC	100-240 V AC, 2.0/1.0 A , 50-60Hz per PSU -48 V to -60 V DC, 4.0A per PSU
5520-48T-ACDC	100-240 VAC, 1.5/0.75 A, 50-60Hz per PSU -48 V to -60 V DC, 4.0 A per PSU
5520-48SE-ACDC	100-240 V AC, 2.5/1.25 A, 50-60Hz per PSU -48 V to -60 V DC, 5.0 A per PSU

## Getting Help

For additional support related to 5520 Series switches or this document, contact Extreme Networks using one of the following methods:

<b>Product Documentation</b>	<a href="https://www.extremenetworks.com/documentation/">https://www.extremenetworks.com/documentation/</a>
<b>Global Technical Assistance Center (GTAC)</b>	Phone: 1-800-998-2408 (toll-free in U.S. and Canada) or +1-408-579-2826. For the support phone number in your country, visit: <a href="https://www.extremenetworks.com/support/contact/">https://www.extremenetworks.com/support/contact/</a>
<b>GTAC Knowledge</b>	Get on-demand and tested resolutions from the GTAC Knowledgebase, or create a help case if you need more guidance. Visit: <a href="https://gtacknowledge.extremenetworks.com/">https://gtacknowledge.extremenetworks.com/</a>
<b>The Hub</b>	A forum for Extreme customers to connect with one another, get questions answered, share ideas and feedback, and get problems solved. The community is monitored by Extreme Networks employees, but is not intended to replace specific guidance from GTAC. Visit: <a href="https://community.extremenetworks.com">https://community.extremenetworks.com</a>
<b>Support Portal</b>	Manage cases, downloads, service contracts, product licensing, and training and certifications. Visit: <a href="https://support.extremenetworks.com/">https://support.extremenetworks.com/</a>

## Notice

Copyright © 2024 Extreme Networks, Inc. All Rights Reserved.

## Legal Notices

Extreme Networks, Inc. reserves the right to make changes in specifications and other information contained in this document and its website without prior notice. The reader should in all cases consult representatives of Extreme Networks to determine whether any such changes have been made.

The hardware, firmware, software or any specifications described or referred to in this document are subject to change without notice.

## Trademarks

Extreme Networks and the Extreme Networks logo are trademarks or registered trademarks of Extreme Networks, Inc. in the United States and/or other countries. All other names (including any product names) mentioned in this document are the property of their respective owners and may be trademarks or registered trademarks of their respective companies/owners.

For additional information on Extreme Networks trademarks, please see:

[www.extremenetworks.com/company/legal/trademarks/](http://www.extremenetworks.com/company/legal/trademarks/)

## Warranty

Warranty information for 5520 Series is located online at: [www.extremenetworks.com/support/policies/](http://www.extremenetworks.com/support/policies/)

## Regulatory and Compliance Information

### Federal Communications Commission (FCC) Notice

This device complies with Part 15 of the FCC rules. Operation is subject to the following two conditions: (1) this device may not cause harmful interference, and (2) this device must accept any interference received, including interference that may cause undesired operation.

**NOTE:** This equipment has been tested and found to comply with the limits for a class A digital device, pursuant to Part 15 of the FCC rules. These limits are designed to provide reasonable protection against harmful interference when the equipment is operated in a commercial environment. This equipment uses, generates, and can radiate radio frequency energy and if not installed in accordance with the operator's manual, may cause harmful interference to radio communications. Operation of this equipment in a residential area is likely to cause interference in which case the user will be required to correct the interference at his own expense.

**WARNING:** Changes or modifications made to this device which are not expressly approved by the party responsible for compliance could void the user's authority to operate the equipment.

### Industry Canada Notice CAN ICES-3 (A)/NMB-3(A)

This digital apparatus does not exceed the class A limits for radio noise emissions from digital apparatus set out in the Radio Interference Regulations of the Canadian Department of Communications.

Le présent appareil numérique n'émet pas de bruits radioélectriques dépassant les limites applicables aux appareils numériques de la class A prescrites dans le Règlement sur le brouillage radioélectrique dicté par le Ministère des Communications du Canada.

### Class A ITE Notice

**WARNING:** This equipment is compliant with Class A of CISPR 32. In a residential environment this equipment may cause radio interference.

### Product Safety

This product complies with the following international safety standards:

- UL 62368-1
- UL 60950-1
- CAN/CSA C22.2 No. 62368-1-14
- CAN/CSA C22.2 No. 60950-1-07
- IEC 62368-1
- IEC 60950-1
- EN 62368-1
- 2014/35/EU
- CNS 15598-1
- GB 4943.1

### Optical Module Compliance

Extreme Networks pluggable optical modules and direct-attach cables meet the following regulatory requirements:

- UL and/or CSA registered component for North America
- Class 1 or Class 1M Laser Product
- FCC 21 CFR Chapter 1, Sub-chapter J in accordance with FDA & CDRH requirements
- IEC/EN 60825-1, IEC/EN 60825-2 or later, European Standard

### Korea EMC Statement

이 기기는 업무용 환경에서 사용할 목적으로 적

합성평가를 받은 기기로서 가정용 환경에서 사

용하는 경우 전파간섭의 우려가 있습니다.

### Australia (RCM)/European Union (CE)/United Kingdom (UKCA)

**WARNING:** This equipment is compliant with Class A of CISPR 32. In a residential environment this equipment may cause radio interference.

### Electromagnetic Compatibility (EMC)

This product complies with the following: FCC 47 CFR Part 15 Subpart B Class A (US), ICES-003 (Canada), EN 55032 (ITE Emissions), EN 55035 (ITE Immunity), EN 61000-3-2 (Harmonics), EN 61000-3-3 (Flicker), 2014/30/EU (EMC Directive), Electromagnetic Compatibility Regulations 2016 (S.I. 2016/1091), EN 300 386 (Telecom), EN 55011 (ISM), EN 61000-6-2 (Ind. Immunity) **Note\***, EN 61000-6-4 (Ind. Emissions) **Note\***, RCM (Australia), VCCI (Japan), MSIP KCC (Korea), BSMI (Taiwan), ANATEL (Brazil), TEC (India), and CQC (China).

**\*Note:** Models 5520-24T-ACDC, 5520-24X-ACDC, 5520-48T-ACDC, and 5520-48SE using power supplies XN-DCPWR-550W-FB or XN-DCPWR-550W-BF do not comply with EN61000-6-2 and EN61000-6-4.

### VCCI Notice

This is a Class A product based on the standard of the Voluntary Control Council for Interference by Information Technology Equipment (VCCI). If this equipment is used in a domestic environment, radio disturbance may arise. When such trouble occurs, the user may be required to take corrective actions.

この装置は、クラスA機器です。この装置を住宅環境で使用すると電波妨害を引き起こすことがあります。この場合には使用者が適切な対策を講ずるよう要求されることがあります。

VCCI – A

### BSMI EMC Statement – Taiwan

This is a Class A product. In a domestic environment this product may cause radio interference in which case the user may be required to take adequate measures.

Taiwan BSMI 報關義務人

申請人：愛爾蘭商極進網絡技術行動有限公司台灣分公司

地址：臺北市松山區南京東路4段126號5樓

警告使用者：

警告:為避免電磁干擾,本產品不應安裝或使用於住宅環境。

警告:在居住環境中，运行此设备可能会造成无线电干扰。

### Battery Warning – Taiwan

警告

如果更換不正確之電池型式會有爆炸的風險，

請依製造商說明書處理用過之電池。



### Battery Notice

**Warning:** This product contains a battery used to maintain product information. If the battery should need replacement it must be replaced by Service Personnel. Please contact Technical Support for assistance. Risk of explosion if battery is replaced by an incorrect type. Dispose of expended battery in accordance with local disposal regulations.

**Avertissement:** Ce produit renferme une pile servant à conserver les renseignements sur le produit. Le cas échéant, faites remplacer la pile par le personnel du service de réparation. Veuillez communiquer avec l'assistance technique pour du soutien.

Il y a risque d'explosion si la pile est remplacée par un type de pile incorrect. Éliminez les piles usées en conformité aux règlements locaux d'élimination des piles.

### Hazardous Substances- China and Taiwan BSMI RoHS

Guidance concerning the China and Taiwan BSMI RoHS (Restriction of Hazardous Substances) directive for this Extreme Networks® product can be found on the following web page:

<https://www.extremenetworks.com/support/restriction-hazardous-substances/>

The page contains tables detailing the presence of substances defined by the RoHS directive.

### Hazardous Substances - EU

This product complies with the requirements of Directive 2011/65/EU of the European Parliament and of the Council of 8 June 2011 on the restriction of the use of certain hazardous substances in electrical and electronic equipment.

### European Waste Electrical and Electronic Equipment (WEEE) Notice



In accordance with Directive 2012/19/EU of the European Parliament on waste electrical and electronic equipment (WEEE):

- The symbol above indicates that separate collection of electrical and electronic equipment is required.
- When this product has reached the end of its serviceable life, it cannot be disposed of as unsorted municipal waste. It must be collected and treated separately.
- It has been determined by the European Parliament that there are potential negative effects on the environment and human health as a result of the presence of hazardous substances in electrical and electronic equipment.
- It is the users' responsibility to utilize the available collection system to ensure WEEE is properly treated.

For information about the available collection system, please contact Extreme Customer Support at +353 61 705500 (Ireland).

# Extreme Networks

## 5520 Series

## Quick Reference

### Switch models that support AC power supply input

**5520-24W**

**5520-48W**

**5520-12MW-36W**

**5520-24T**

**5520-48T**

**5520-24X**

**5520-48SE**

### Switch models that support both AC and DC power supply input

**5520-24T-ACDC**

**5520-48T-ACDC**

**5520-24X-ACDC**

**5520-48SE-ACDC**

### ExtremeCloud IQ

Scan to learn more about **ExtremeCloud IQ™** and **ExtremeCloud IQ™ - Site Engine**.

Your new switch can be managed by ExtremeCloud IQ if cloud management is preferred as well as ExtremeCloud IQ - Site Engine if locally deployed management is preferred.



### Read Me First - Switch OS Selection

Scan for instructions to choose your preferred switch OS on the Universal Switch.



P/N 9036643-00 Rev. AK

