

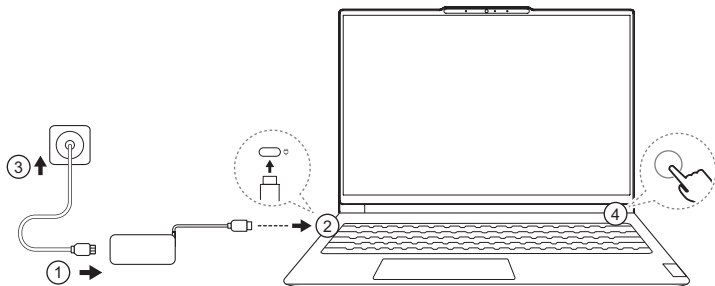
Lenovo
ThinkBook

ThinkBook 16 Gen 7

Lenovo





Get it started

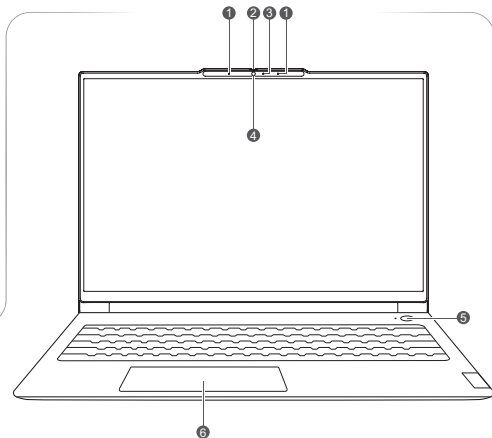







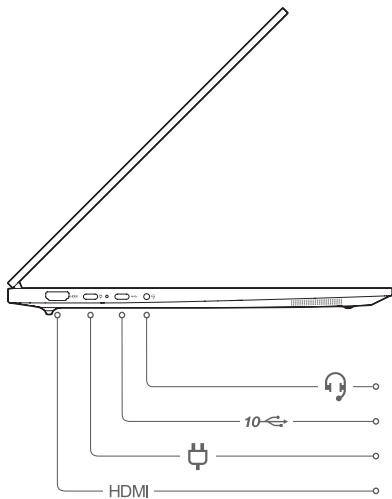
Overview



-  **1 Microphones**
-  **2 Camera shutter**
- 3 Camera light**



-  **4 Camera**
-  **5 Power button
(fingerprint sensor)**
-  **6 Touchpad**



Combo audio jack

HDMI

HDMI™ connector



Multi-purpose USB Type-C® connector

i The USB Type-C connector with a plug icon next to it also functions as the PC's power input connector.



SD card slot



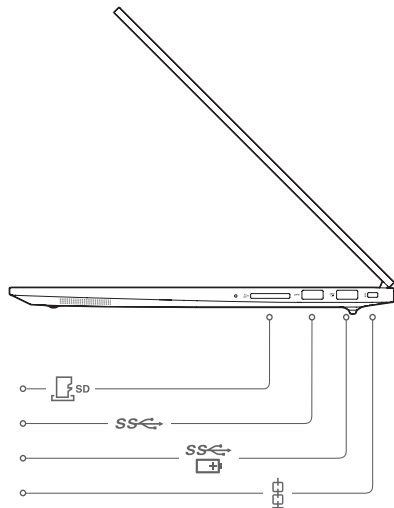
USB Standard-A connector



**USB Standard-A connector
(always-on connector)**



Security lock



i Always-on USB port supports power output in sleep or powered-off state.

Specific absorption rate (SAR)

YOUR DEVICE MEETS INTERNATIONAL GUIDELINES FOR EXPOSURE TO RADIO WAVES.

Refer to the following for 10g SAR limit and maximum reported SAR values:

Item	Body-worn SAR	Limb SAR
10g SAR limit	2 W/kg	4 W/kg
Maximum SAR with 0 mm separation distance (EU)	0.282 W/kg	0.282 W/kg
Maximum SAR with 0 mm separation distance (UK)	0.583 W/kg	0.583 W/kg

For more information about SAR, refer to the *Safety and Warranty Guide* that came with your device.

European Union (EU) / United Kingdom (UK) — radio frequency and power

This radio equipment operates with the following frequency bands and maximum radio frequency power.

Technology	Frequency band [MHz]	Maximum transmit power
WLAN 802.11b/g/n/ax/be	2400 – 2483.5	< 20 dBm
WLAN 802.11a/n/ac/ax/be	5150 – 5725	< 23 dBm
WLAN 802.11a/n/ac/ax/be (EU)	5725 – 5875	< 13.98 dBm
WLAN 802.11a/n/ac/ax/be (UK)	5725 – 5875	< 23 dBm
WLAN 802.11a/ax/be	5945 – 6425	< 23 dBm
Bluetooth BR/EDR/LE/QHS	2400 – 2483.5	< 20 dBm

Note: Not all wireless bands may be enabled depending on your product configuration. Usage of this device is limited to indoor locations in the bands 5150 – 5350 MHz and 5945 – 6425 MHz.

First Edition (August 2024)
© Copyright Lenovo 2024.

Lenovo and the Lenovo logo are trademarks of Lenovo. The terms HDMI and HDMI High-Definition Multimedia Interface, and the HDMI logo are trademarks or registered trademarks of HDMI Licensing Administrator, Inc. in the United States and other countries. Wi-Fi is a registered trademark of Wi-Fi Alliance. USB Type-C is a registered trademark of USB Implementers Forum. All other trademarks are the property of their respective owners.

LIMITED AND RESTRICTED RIGHTS NOTICE:

If data or software is delivered pursuant to a General Services Administration "GSA" contract, use, reproduction, or disclosure is subject to restrictions set forth in Contract No. GS-35F-05925.

Reduce
Reuse
Recycle



For FSC Mix logo only