



# Maintenance and Service Guide

## HP Pavilion 16 inch Laptop PC

### 16-af0xxx

#### **SUMMARY**

This guide provides maintenance information about such topics as spare parts, removal and replacement of parts, security, and backing up.

## Legal information

© Copyright 2024 HP Development Company, L.P.

AMD, Radeon, and Ryzen are trademarks of Advanced Micro Devices, Inc. Bluetooth is a trademark owned by its proprietor and used by HP Inc. under license.

Chrome is a trademark of Google LLC. Intel and Thunderbolt are trademarks of Intel Corporation or its subsidiaries in the U.S. and/or other countries. Microsoft and Windows are either registered trademarks or trademarks of Microsoft Corporation in the United States and/or other countries. USB Type-C and USB-C are registered trademarks of USB Implementers Forum. DisplayPort™ and the DisplayPort™ logo are trademarks owned by the Video Electronics Standards Association (VESA) in the United States and other countries. Wi-Fi is a registered trademark of Wi-Fi Alliance.

The information contained herein is subject to change without notice. The only warranties for HP products and services are set forth in the express warranty statements accompanying such products and services. Nothing herein should be construed as constituting an additional warranty. HP shall not be liable for technical or editorial errors or omissions contained herein.

First Edition: March 2024

Document Part Number: N81159-001

### Product notice

This guide describes features that are common to most models. Some features may not be available on your computer.

Not all features are available in all editions or versions of Windows. Systems may require upgraded and/or separately purchased hardware, drivers, software or BIOS update to take full advantage of Windows functionality. Windows is automatically updated, which is always enabled. High-speed internet and Microsoft account required. ISP fees may apply and additional requirements may apply over time for updates. See <http://www.microsoft.com>.

#### **If your product ships with Windows in S**

**Mode:** Windows in S Mode works exclusively with apps from the Microsoft Store within Windows. Certain default settings, features, and apps cannot be changed. Some accessories and apps that are compatible with Windows may not work (including some antivirus, PDF writers, driver utilities, and accessibility apps), and performance may vary, even if you switch out of S Mode. If you switch to Windows, you cannot switch back to S Mode. Learn more at [Windows.com/SmodeFAQ](http://Windows.com/SmodeFAQ).

To access the latest user guides, go to <http://www.hp.com/support>, and follow the instructions to find your product. Then select **Manuals**.

### Software terms

By installing, copying, downloading, or otherwise using any software product preinstalled on this computer, you agree to be bound by the terms of the HP End User License Agreement (EULA). If you do not accept these license terms, your sole remedy is to return the entire unused product (hardware and software) within 14 days for a full refund subject to the refund policy of your seller.

For any further information or to request a full refund of the price of the computer, please contact your seller.

## Safety warning notice

Reduce the possibility of heat-related injuries or of overheating the computer by following the practices described.

---

**⚠ WARNING!** To reduce the possibility of heat-related injuries or of overheating the computer, do not place the computer directly on your lap or obstruct the computer air vents. Use the computer only on a hard, flat surface. Do not allow another hard surface, such as an adjoining optional printer, or a soft surface, such as pillows or rugs or clothing, to block airflow. Also, do not allow the AC adapter to come into contact with the skin or a soft surface, such as pillows or rugs or clothing, during operation. The computer and the AC adapter comply with the user-accessible surface temperature limits defined by applicable safety standards.

---

---

# Table of contents

|  |           |
|--|-----------|
| <b>1 Product description</b>   | <b>1</b>  |
| <b>2 Components</b>  | <b>4</b>  |
| Locating hardware  | 4         |
| Locating software  | 4         |
| Right side   | 4         |
| Left side  | 5         |
| 360 modes  | 6         |
| Display  | 6         |
| Low blue light mode (select products only)                           | 6         |
| Wake-on-voice (select products only)                                 | 7         |
| Keyboard area  | 8         |
| Touchpad settings and components                                     | 8         |
| Touchpad settings  | 8         |
| Adjusting touchpad settings  | 8         |
| Turning on the touchpad  | 8         |
| Touchpad components  | 9         |
| Lights   | 9         |
| Special keys   | 10        |
| Bottom   | 12        |
| Labels   | 13        |
| <b>3 Illustrated parts catalog</b>                                   | <b>15</b> |
| Computer major components  | 15        |
| Display assembly subcomponents                                       | 19        |
| Miscellaneous parts  | 21        |
| <b>4 Removal and replacement procedures preliminary requirements</b> | <b>24</b> |
| Tools required   | 24        |
| Service considerations   | 24        |
| Plastic parts  | 24        |
| Cables and connectors  | 24        |
| Drive handling   | 25        |
| Electrostatic discharge information                                  | 25        |

|  |           |
|--|-----------|
| Generating static electricity.....   | 25        |
| Preventing electrostatic damage to equipment.....  | 26        |
| Personal grounding methods and equipment.....  | 26        |
| Grounding the work area.....   | 27        |
| Recommended materials and equipment.....   | 27        |
| Cleaning your computer.....  | 28        |
| Enabling HP Easy Clean (select products only).....   | 28        |
| Removing dirt and debris from your computer.....   | 28        |
| Cleaning your computer with a disinfectant.....  | 29        |
| Caring for wood veneer (select products only).....   | 30        |
| Packaging and transporting guidelines.....   | 30        |
| Accessing support information.....   | 31        |
| <b>5 Removal and replacement procedures for authorized service provider parts.....</b>         | <b>33</b> |
| Component replacement procedures.....  | 33        |
| Preparation for disassembly.....   | 33        |
| Bottom cover.....  | 33        |
| Battery.....   | 35        |
| Speakers.....  | 37        |
| Solid-state drive.....   | 38        |
| WLAN module.....   | 39        |
| Connector board cable.....   | 41        |
| Connector board.....   | 42        |
| Fans.....  | 43        |
| Display assembly.....  | 44        |
| Touchpad cable.....  | 52        |
| Touchpad.....  | 53        |
| System board.....  | 54        |
| Heat sink.....   | 57        |
| Top cover and keyboard.....  | 59        |
| <b>6 Using Setup Utility (BIOS).....</b>   | <b>61</b> |
| Starting Setup Utility (BIOS).....   | 61        |
| Updating Setup Utility (BIOS).....   | 61        |
| Determining the BIOS version.....  | 61        |
| Preparing for a BIOS update.....   | 62        |
| Downloading a BIOS update.....   | 62        |
| Installing a BIOS update.....  | 63        |
| <b>7 Backing up, restoring, and recovering.....</b>  | <b>64</b> |
| Backing up information and creating recovery media.....  | 64        |
| Using Windows tools for backing up.....  | 64        |
| Using the HP Cloud Recovery Download Tool to create recovery media (select products only)..... | 64        |
| Restoring and recovering your system.....  | 65        |
| Creating a system restore.....   | 65        |
| Restoring and recovery methods.....  | 65        |
| Recovering using HP Recovery media.....  | 65        |
| Changing the computer boot order.....  | 66        |

|   |           |
|---|-----------|
| Using HP Sure Recover (select products only).....   | 66        |
| <b>8 Using HP PC Hardware Diagnostics .....</b>   | <b>67</b> |
| Using HP PC Hardware Diagnostics Windows (select products only).....                                    | 67        |
| Using an HP PC Hardware Diagnostics Windows hardware failure ID code.....                               | 67        |
| Accessing HP PC Hardware Diagnostics Windows.....   | 67        |
| Accessing HP PC Hardware Diagnostics Windows from HP Support Assistant.....                             | 67        |
| Accessing HP PC Hardware Diagnostics Windows from the Start menu (select products only).....            | 68        |
| Downloading HP PC Hardware Diagnostics Windows.....   | 68        |
| Downloading the latest HP PC Hardware Diagnostics Windows version from HP .....                         | 68        |
| Downloading the HP PC Hardware Diagnostics Windows from the Microsoft Store.....                        | 68        |
| Downloading HP Hardware Diagnostics Windows by product name or number (select products only) .....      | 69        |
| Installing HP PC Hardware Diagnostics Windows.....  | 69        |
| Using HP PC Hardware Diagnostics UEFI .....   | 69        |
| Using an HP PC Hardware Diagnostics UEFI hardware failure ID code.....                                  | 69        |
| Starting HP PC Hardware Diagnostics UEFI .....  | 69        |
| Starting HP PC Hardware Diagnostics UEFI through HP Hotkey Support software (select products only)..... | 70        |
| Downloading HP PC Hardware Diagnostics UEFI to a USB flash drive.....                                   | 70        |
| Downloading the latest HP PC Hardware Diagnostics UEFI version .....                                    | 71        |
| Downloading HP PC Hardware Diagnostics UEFI by product name or number (select products only) .....      | 71        |
| Using Remote HP PC Hardware Diagnostics UEFI settings (select products only).....                       | 71        |
| Downloading Remote HP PC Hardware Diagnostics UEFI .....  | 71        |
| Downloading the latest Remote HP PC Hardware Diagnostics UEFI version.....                              | 71        |
| Downloading Remote HP PC Hardware Diagnostics UEFI by product name or number .....                      | 72        |
| Customizing Remote HP PC Hardware Diagnostics UEFI settings.....  | 72        |
| <b>9 Specifications .....</b>   | <b>73</b> |
| Computer specifications .....   | 73        |
| Display specifications.....   | 74        |
| Solid-state drive specifications .....  | 74        |
| <b>10 Statement of memory volatility.....</b>   | <b>76</b> |
| Current BIOS steps .....  | 76        |
| Nonvolatile memory usage .....  | 78        |
| Questions and answers .....   | 79        |
| Using HP Sure Start (select products only).....   | 80        |
| <b>11 Power cord set requirements.....</b>  | <b>81</b> |
| Requirements for all countries .....  | 81        |
| Requirements for specific countries and regions.....  | 81        |
| <b>12 Recycling.....</b>  | <b>84</b> |
| <b>Index.....</b>   | <b>85</b> |

# 1 Product description

This table provides detailed product information.

**Table 1-1 Product components and their descriptions**

| Category                          | Description   |
|-----------------------------------|---|
| <b>Product Name</b>               | HP Pavilion 16 inch Laptop PC<br>Model number: 16-af0xxx  |
| <b>Processors</b>                 | Intel® Core™ Ultra7 155U (10 cores, 12 MB L3 cache, 15 W)<br>Intel Core Ultra5 125U (10 cores, 12 MB L3 cache, 15 W)<br>Intel Core 150U (10 cores, 12 MB L3 cache, 15 W)<br>Intel Core 120U (10 cores, 12 MB L3 cache, 15 W)  |
| <b>Chipset</b>                    | Intel integrated soldered-on-chip (SoC)   |
| <b>Graphics</b>                   | Intel integrated graphics   |
| <b>Display</b>                    | 40.6 cm (16.0 in), 2K (2048 × 1280), brightview, organic light-emitting diode (OLED) + low blue light (LBL), ultrawide viewing area (UWVA), Digital Cinema Initiatives - Protocol 3 (DCI-P3), 100% character generation (CG), embedded DisplayPort™ (eDP) 1.4 + panel self-refresh (PSR) 2, 120 Hz variable refresh rate (VRR), non-touchscreen display panel with narrow bent bezel; typical brightness: 400 nits<br>40.6 cm (16.0 in), liquid crystal display (LCD), widescreen ultra extended graphics array (WUXGA, 1920 × 1200), antiglare, LED, UWVA, National Television System Committee (NTSC) standard, 45% CG, eDP 1.2 without PSR, touch-on-panel (TOP) display panel with narrow flat bezel; typical brightness: 300 nits<br>40.6 cm (16.0 in), LCD, WUXGA (1920 × 1200), antiglare, LED, UWVA, NTSC standard, 45% CG, eDP 1.2 without PSR, non-TOP display panel with narrow flat bezel; typical brightness: 300 nits |
| <b>Memory</b>                     | Integrated system memory supporting 32 GB, 16 GB, or 8 GB of RAM<br>Low-Power Double Data Rate (LPDDR5) -4800 and -6400 and LPDDR5-7467   |
| <b>Storage: solid-state drive</b> | Support for the following peripheral component interconnect express (PCIe), nonvolatile memory express (NVMe), solid-state drive (SSD) system storage: <ul style="list-style-type: none"><li>• 2 TB, M.2 2280, PCIe-4×4, NVMe, ZTurbo SSD with three layer cell (TLC)</li><li>• 1 TB, M.2 2280, PCIe-4×4, NVMe, value SSD</li><li>• 512 GB, M.2 2280, PCIe, NVMe value SSD</li></ul>  |

**Table 1-1 Product components and their descriptions (continued)**

| Category   | Description   |
|--|---|
| <b>Audio and video</b>                                 | Support for the following audio features: <ul style="list-style-type: none"> <li>• DTS: X Ultra</li> <li>• Dual speakers</li> <li>• HP Audio Boost</li> <li>• XiaoWei</li> </ul>  |
|  | Support for integrated, full high-definition (FHD), USB 2.0, fixed, infrared (IR), wide field of view (WFOV), webcam and full high-definition (FHD), USB 2.0, fixed, nonIR, WFOV, webcam  |
|  | Dual-array microphone integrated with webcam  |
| <b>Wireless</b>  | <b>Wireless Local Area Network (WLAN)</b>   |
|  | Intel AX211 M.2 2230 Wi-Fi 6E + Bluetooth 5.3 160 MHz CNVi worldwide WLAN module  |
|  | Realtek 8852BE M.2 2230 Wi-Fi 6 + Bluetooth 5.3 worldwide WLAN module   |
| <b>Ports</b>   | Hot plug/unplug and autodetect for correct output to wide-aspect vs. standard-aspect video  |
|  | <ul style="list-style-type: none"> <li>• Audio-out (headphone)/Audio-in (microphone) combo jack</li> <li>• High-definition multimedia interface (HDMI) port</li> <li>• USB Type-A ports (2)</li> <li>• USB Type-C® port with HP Sleep and Charge</li> </ul> |
|  | <b>Keyboard/pointing devices</b>  |
|  | <b>Keyboard:</b> Island-style notebook PC keyboard with touchpad in natural silver finish with soft gray keys and darker sky blue opaque finish with darker meteor silver opaque keys   |
|  | <b>Touchpad</b>   |
| Touchpad with image sensor                             |   |
| Modern touchpad gestures enabled                       |   |
| Precision touchpad support                             |   |
| Taps enabled as default                                |   |
| <b>Power requirements</b>                              | <b>Battery:</b> 3 cell, 59 WHr, Long Life, polymer battery, fast charge   |
|  | <b>AC adapter:</b> 100 W AC adapter, (non-power factor correction [nPFC], USB Type-C, 3-prong) and 65 W AC adapter, (nPFC, USB Type-C, 1.8 m [6.6 ft])  |
|  | <b>Power cord:</b> C5, 1.0 m (3.3 ft), conventional with sticker and C5, 1.0 m (3.3 ft), premium with sticker   |
| <b>Security</b>  | <ul style="list-style-type: none"> <li>• Microphone mute</li> <li>• Privacy camera shutter door</li> <li>• Trusted Platform Module (TPM) 2.0 firmware</li> </ul>  |
|  | <b>Operating system</b>   |
|  | Windows® 11 Home 64 Advanced  |
| Windows 11 Pro Entry China                             |   |
| Windows 11 Home 64 Desktop AIO Chinese Market CPPP     |   |
| Windows 11 Home in S Mode for Developed Markets (ML)   |   |
| Windows 11 Home in S Mode for Emerging Markets (EM/SL) |   |

**Table 1-1 Product components and their descriptions (continued)**

| <b>Category</b>       | <b>Description</b>   |
|-----------------------|--|
|                       | Windows 11 Home in S Mode for China Market                   |
|                       | Windows 11 Home in S Mode for APAC Markets                   |
|                       | Windows 11 Home in S Mode for Africa Markets                 |
|                       | Windows 11 Home in S Mode for Indonesia Market               |
|                       | Windows 11 Home in S Mode for India Market                   |
|                       | Windows 11 Home for Developed Market (ML)                    |
|                       | Windows 11 Home for Developed Market (ML)                    |
|                       | Windows 11 Home for Emerging Market (EM/SL)                  |
|                       | Windows 11 Home for China Market                             |
|                       | Windows 11 Home for India Market                             |
|                       | Windows 11 Home for Indonesia Market                         |
|                       | Windows 11 Home for APAC Market                              |
|                       | Windows 11 Home for Africa PPP Market                        |
| <b>Serviceability</b> | <b>End-user replaceable parts:</b> AC adapter and power cord |

---

## 2 Components

Your computer features top-rated components. This chapter provides details about your components, where they are located, and how they work.

### Locating hardware

Use these instructions to find out what hardware is installed on your computer:

To find out what hardware is installed on your computer, select the **Search icon** in the taskbar, type `device manager` in the search box, and then select the **Device Manager** app.

For information about system hardware components and the system BIOS version number, press `fn+esc` (select products only).

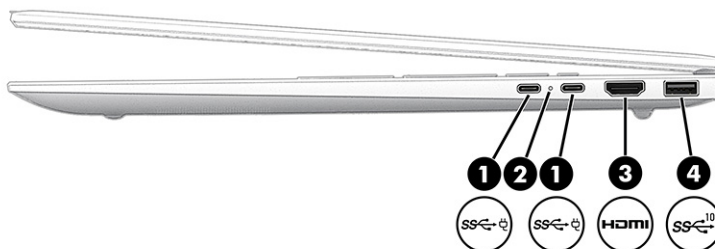
### Locating software

Use these instructions to find out what software is installed on your computer:

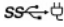


- Right-click the **Start** button, and then select **Apps and Features**.

### Right side

Identify the components on the right side of the computer.

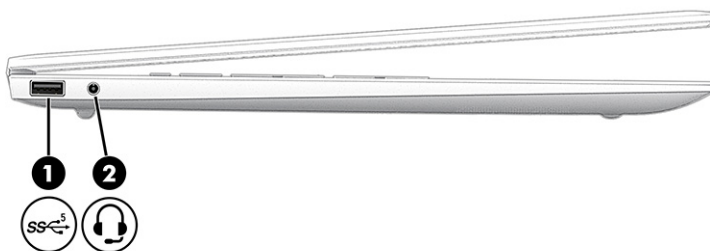


**Table 2-1 Right-side components and their descriptions**



|     | Component   | Description  |
|-----|---|--|
| (1) |  USB Type-C power connectors and 10 Gbps ports with HP Sleep and Charge and DisplayPort output (2) | <p>Connect an AC adapter that has a USB Type-C connector, supplying power to the computer and, if needed, charging the computer battery.</p> <p>- and -</p> <p>Connect a USB device, provide high-speed data transfer, and charge small devices (such as a smartphone), even when the computer is off.</p> <p><b>NOTE:</b> Use a standard USB Type-C charging cable or cable adapter (purchased separately) when charging a small external device.</p> <p>- and -</p> <p>Connect a display device that has a USB Type-C connector, providing DisplayPort output.</p> |
| (2) | AC adapter and battery light  | <ul style="list-style-type: none"> <li>• White: The AC adapter is connected and the battery is fully charged.</li> <li>• Blinking amber: The AC adapter is disconnected and the battery has reached a low battery level.</li> <li>• Amber: The AC adapter is connected and the battery is charging.</li> <li>• Off: The battery is not charging.</li> </ul>  |
| (3) |  HDMI port   | Connects an optional video or audio device, such as a high-definition television, any compatible digital or audio component, or a high-speed High-Definition Multimedia Interface (HDMI) device.   |
| (4) |  USB Type-A 10 Gbps port   | <p>Connects a USB device, provides high-speed data transfer, and (for select products) charges small devices (such as a smartphone) when the computer is on or in Sleep mode.</p> <p><b>NOTE:</b> Use a standard USB Type-A charging cable or cable adapter (purchased separately) when charging a small external device.</p>  |

## Left side

Identify the components on the left side of the computer.



**Table 2-2** Left-side components and their descriptions

|     | Component  | Description   |
|-----|--|---|
| (1) |  USB 5 Gbps port  | Connects a USB device, provides high-speed data transfer, and (for select products) charges small devices (such as a smartphone) when the computer is on or in Sleep mode.<br><br><b>NOTE:</b> Use a standard USB Type-A charging cable or cable adapter (purchased separately) when charging a small external device.  |
| (2) |  Audio-out (headphone)/Audio-in (microphone) combo jack | Connects optional powered stereo speakers, headphones, earbuds, a headset, or a television audio cable. Also connects an optional headset microphone. This jack does not support optional standalone microphones.<br><br><b>WARNING!</b> To reduce the risk of personal injury, adjust the volume before putting on headphones, earbuds, or a headset. For additional safety information, see the <i>Regulatory, Safety, and Environmental Notices</i> .<br><br>To access this guide: <ul style="list-style-type: none"><li>■ Select the <b>Search</b> icon in the taskbar, type <b>HP Documentation</b> in the search box, and then select <b>HP Documentation</b>.</li></ul> <b>NOTE:</b> When a device is connected to the jack, the computer speakers are disabled. |

## 360 modes

If your computer offers 360 modes, the following illustration shows how you can use and fold your device.



## Display

The computer display can include essential components such as speakers, antennas, cameras, and microphones.

### Low blue light mode (select products only)

Your computer display is shipped from the factory in low blue light mode for improved eye comfort and safety. Also, blue light mode automatically adjusts blue light emissions when you are using the computer at night or for reading.

- ⚠ WARNING!** To reduce the risk of serious injury, read the *Safety & Comfort Guide*. It describes proper workstation setup and proper posture, health, and work habits for computer users. The *Safety & Comfort Guide* also provides important electrical and mechanical safety information. The *Safety & Comfort Guide* is available on the web at <http://www.hp.com/ergo>.

## Wake-on-voice (select products only)

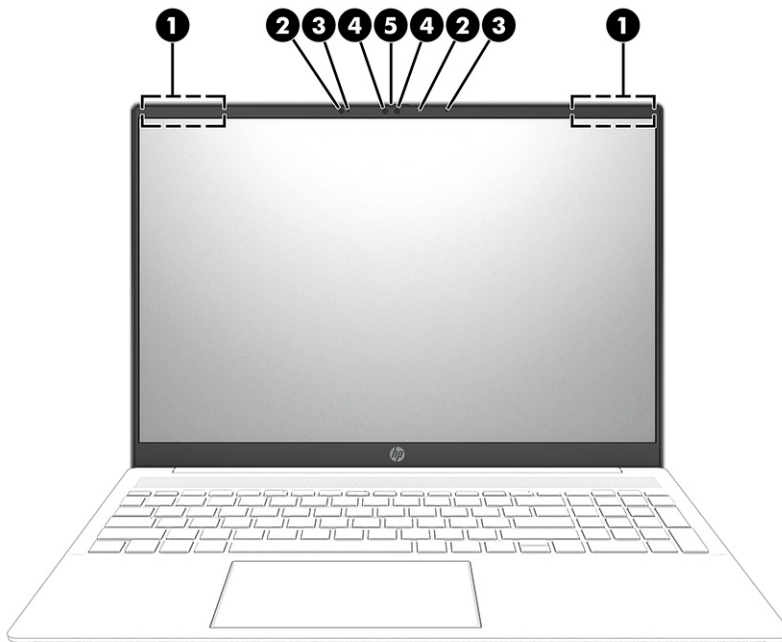
Use the wake-on-voice feature to bring the computer out of the Sleep state quickly.

To access the wake-on-voice settings, follow these steps:

1. Select the **Search** icon in the taskbar, type `XiaoWei` in the search box, and then select **XiaoWei**.
2. When the tool opens, scan the QR code with your mobile device, which takes you to the settings page, where you can select your wake-on-voice features.
3. Follow the on-screen instructions.



**NOTE:** Allow the XiaoWei app to continue running on the computer.



**Table 2-3** Display components and their descriptions

| Component                                    | Description   |
|--|---|
| (1) WLAN antennas* (2)                       | Send and receive wireless signals to communicate with wireless local area networks (WLANs).   |
| (2) Camera lights (2) (select products only) | On: One or more cameras are in use.   |
| (3) Internal microphones (2)                 | Record sound.   |
| (4) Cameras (2) (select products only)       | Allow you to video chat, record video, and record still images. Some cameras also allow a facial recognition logon to Windows, instead of a password logon. |

**NOTE:** Camera functions vary depending on the camera hardware and software installed on your product.

**Table 2-3** Display components and their descriptions (continued)

|     | Component            | Description  |
|-----|----------------------|--|
| (5) | Camera privacy cover | By default, the camera lens is uncovered, but you can slide the camera privacy cover to block the camera's view. To use the camera, slide the camera privacy cover in the opposite direction to reveal the lens.<br><br><b>NOTE:</b> If you have both front-facing and rear-facing cameras, when one camera lens is revealed and ready to use, the other is concealed. |

\*The antennas are not visible from the outside of the computer. For optimal transmission, keep the areas immediately around the antennas free from obstructions.

For wireless regulatory notices, see the section of the *Regulatory, Safety, and Environmental Notices* that applies to your country or region.

To access this guide:

- Select the **Search** icon in the taskbar, type `HP Documentation` in the search box, and then select **HP Documentation**.

## Keyboard area

Keyboards can vary by language.



**NOTE:** The keyboard area, including the function keys and (select products only) power key, is disabled in stand, tent, and tablet modes. To enable the keyboard, including the power key, change to the clamshell mode.

## Touchpad settings and components

Learn the touchpad settings and components.

### Touchpad settings

Learn how to adjust touchpad settings.

#### Adjusting touchpad settings

Use these steps to adjust touchpad settings and gestures.

1. Select the **Search** icon in the taskbar, type `touchpad settings` in the search box, and then press `enter`.
2. Choose a setting.

#### Turning on the touchpad

Follow these steps to turn on the touchpad.

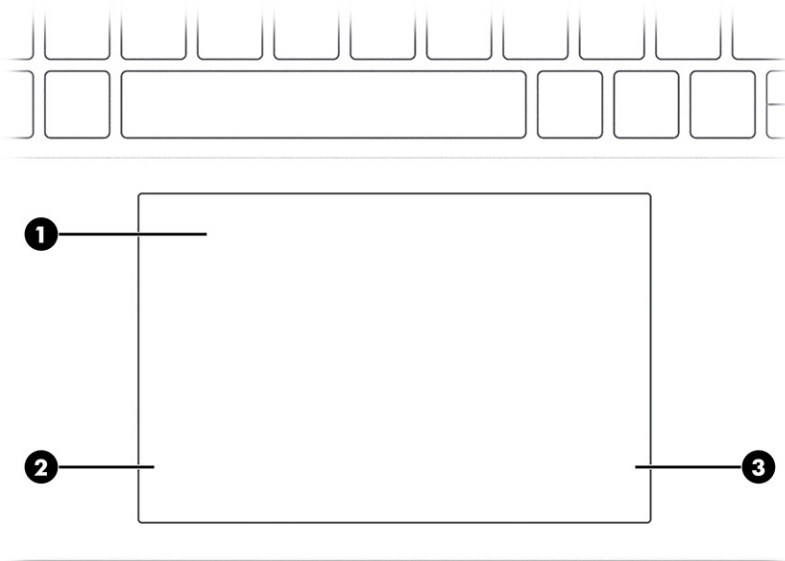
1. Select the **Search** icon in the taskbar, type `touchpad settings` in the search box, and then press `enter`.

- Using an external mouse, click the **Touchpad** button.

If you are not using an external mouse, press the **Tab** key repeatedly until the pointer rests on the **touchpad** button. Then press the **spacebar** to select the button.

## Touchpad components

Identify the touchpad components.

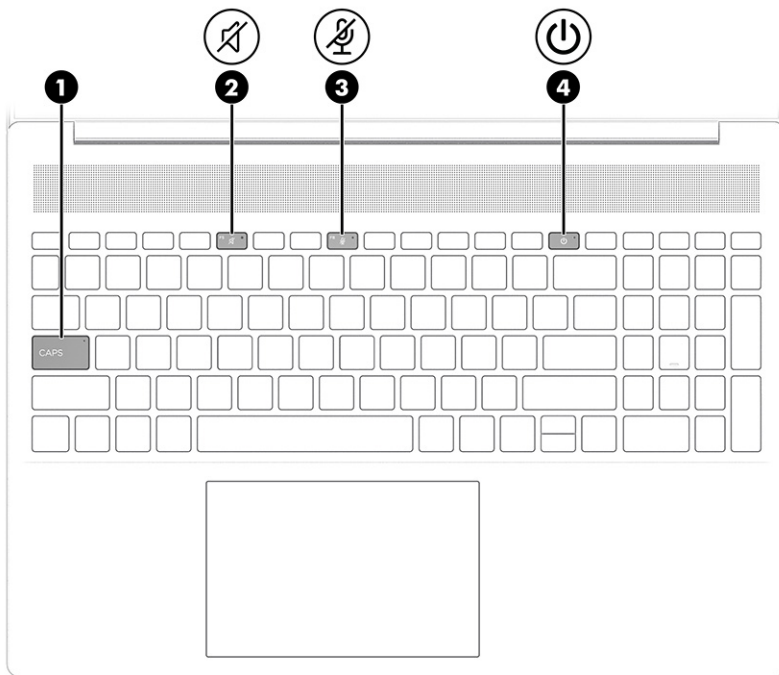


**Table 2-4** Touchpad components and their descriptions




|     | Component             | Description   |
|-----|-----------------------|---|
| (1) | Touchpad zone         | Reads your finger gestures to move the pointer or activate items on the screen. |
| (2) | Left touchpad button  | Functions like the left button on an external mouse.                            |
| (3) | Right touchpad button | Functions like the right button on an external mouse.                           |

## Lights

Identify the lights on the computer.

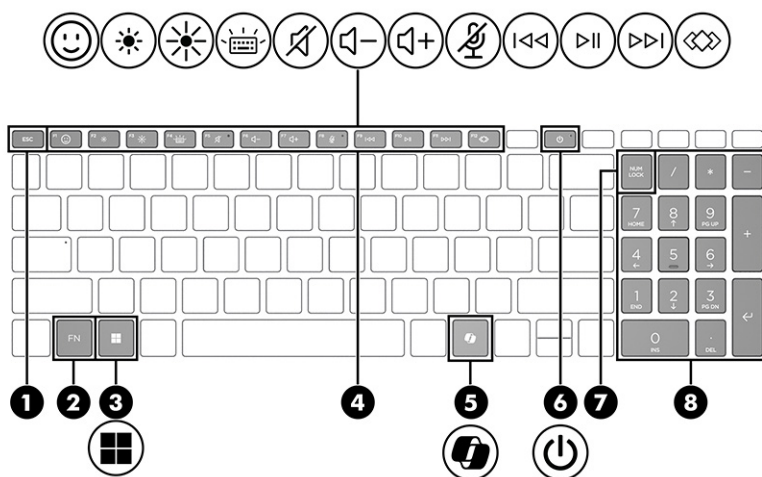


**Table 2-5** Lights and their descriptions





|     | Component   | Description  |
|-----|---|--|
| (1) | Caps lock light   | On: Caps lock is on, which switches the key input to all capital letters.  |
| (2) |  Mute light            | <ul style="list-style-type: none"> <li>On: Computer sound is off.</li> <li>Off: Computer sound is on.</li> </ul>   |
| (3) |  Microphone mute light | <ul style="list-style-type: none"> <li>On: Microphone is off.</li> <li>Off: Microphone is on.</li> </ul>   |
| (4) |  Power light           | <ul style="list-style-type: none"> <li>On: The computer is on.</li> <li>Blinking (select products only): The computer is in the Sleep state, a power-saving state. The computer shuts off power to the display and other unnecessary components.</li> <li>Off: Depending on your computer model, the computer is off, in Hibernation, or in Sleep. Hibernation is the power-saving state that uses the least amount of power.</li> </ul> |

## Special keys

Identify the special keys.



**Table 2-6** Special keys and their descriptions

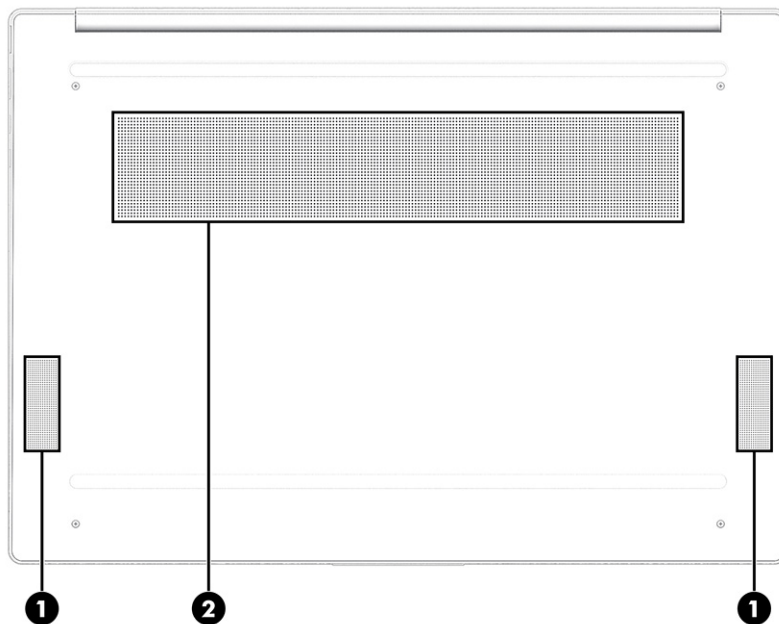
|     | Component   | Description  |
|-----|---|--|
| (1) | esc key   | Displays system information when pressed in combination with the <b>fn</b> key.  |
| (2) | fn key  | Executes specific functions when pressed in combination with another key.  |
| (3) |  Windows key           | Opens the Start menu.<br><b>NOTE:</b> Pressing the Windows key again will close the Start menu.  |
| (4) | Action keys   | Execute frequently used system functions as defined by the icon symbols on <b>f1</b> through <b>f12</b> function keys.   |
| (5) |  Windows Copilot key | Opens Windows Copilot (select products only).  |
| (6) |  Power button        | <ul style="list-style-type: none"> <li>When the computer is off, press the button briefly to turn on the computer.</li> <li>When the computer is on, press the button briefly to initiate Sleep.</li> <li>When the computer is in the Sleep state, press the button briefly to exit Sleep (select products only).</li> <li>When the computer is in Hibernation, press the button briefly to exit Hibernation.</li> </ul> <p><b>IMPORTANT:</b> Pressing and holding down the power button results in the loss of unsaved information.</p> <p>If the computer has stopped responding and shutdown procedures are ineffective, press and hold the power button down for at least 10 seconds to turn off the computer.</p> <p>To learn more about your power and sleep settings:</p> <ul style="list-style-type: none"> <li>Right-click the <b>Power</b> icon , and then select <b>Power and sleep settings</b>.</li> </ul> |

**Table 2-6** Special keys and their descriptions (continued)

|     | Component                 | Description   |
|-----|---------------------------|---|
| (7) | num lock key              | Alternates between the navigational and numeric functions on the integrated numeric keypad.   |
| (8) | Integrated numeric keypad | A separate keypad to the right of the alphabet keyboard. When num lock is pressed, the keypad can be used like an external numeric keypad.<br><br><b>NOTE:</b> If the keypad function is active when the computer is turned off, that function is reinstated when the computer is turned back on. |

## Bottom

Identify the bottom components.



**Table 2-7** Bottom components and their descriptions

|     | Component    | Description  |
|-----|--------------|--|
| (1) | Speakers (2) | Produce sound.   |
| (2) | Vent         | Enables airflow to cool internal components.<br><br><b>NOTE:</b> The computer fan starts up automatically to cool internal components and prevent overheating. It is normal for the internal fan to cycle on and off during routine operation. |

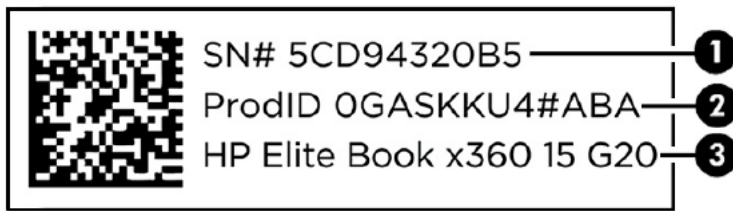
# Labels

The labels affixed to the computer provide information that you might need when you troubleshoot system problems or travel internationally with the computer. Labels can be in paper form or imprinted on the product.

**IMPORTANT:** Check the following locations for the labels described in this section: the bottom of the computer, inside the battery bay, under the service door, on the back of the display, or on the bottom of a tablet kickstand.

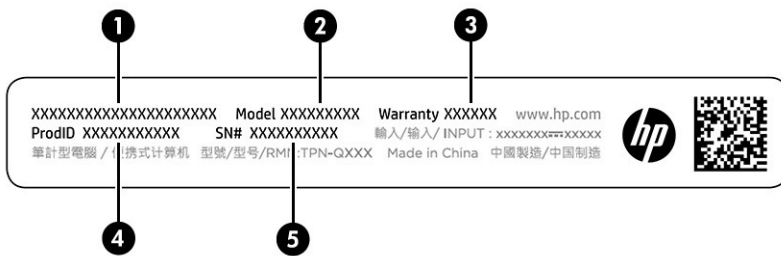
- Service label—Provides important information to identify your computer. When contacting support, you might be asked for the serial number, the product number, or the model number. Locate this information before you contact support.

Your service label will resemble one of the following examples. Refer to the illustration that most closely matches the service label on your computer.



**Table 2-8** Service label components

| Component |                                  |
|-----------|----------------------------------|
| (1)       | Serial number                    |
| (2)       | Product ID                       |
| (3)       | HP product name and model number |

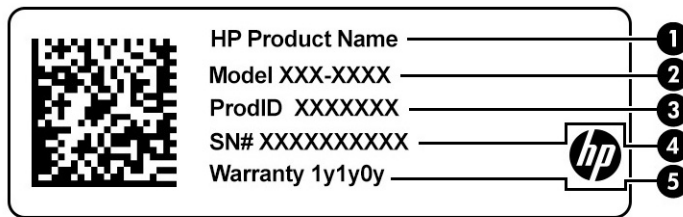


**Table 2-9** Service label components and their descriptions

| Component |                 |
|-----------|-----------------|
| (1)       | HP product name |
| (2)       | Product ID      |
| (3)       | Serial number   |

**Table 2-9** Service label components and their descriptions (continued)

| Component |                 |
|-----------|-----------------|
| (4)       | Warranty period |



**Table 2-10** Service label components

| Component |                 |
|-----------|-----------------|
| (1)       | HP product name |
| (2)       | Model number    |
| (3)       | Product ID      |
| (4)       | Serial number   |
| (5)       | Warranty period |

- Regulatory labels—Provide regulatory information about the computer.
- Wireless certification labels—Provide information about optional wireless devices and the approval markings for the countries or regions in which the devices have been approved for use.

---


## 3 Illustrated parts catalog


Use this information to determine the spare parts that are available for the computer.

### Computer major components

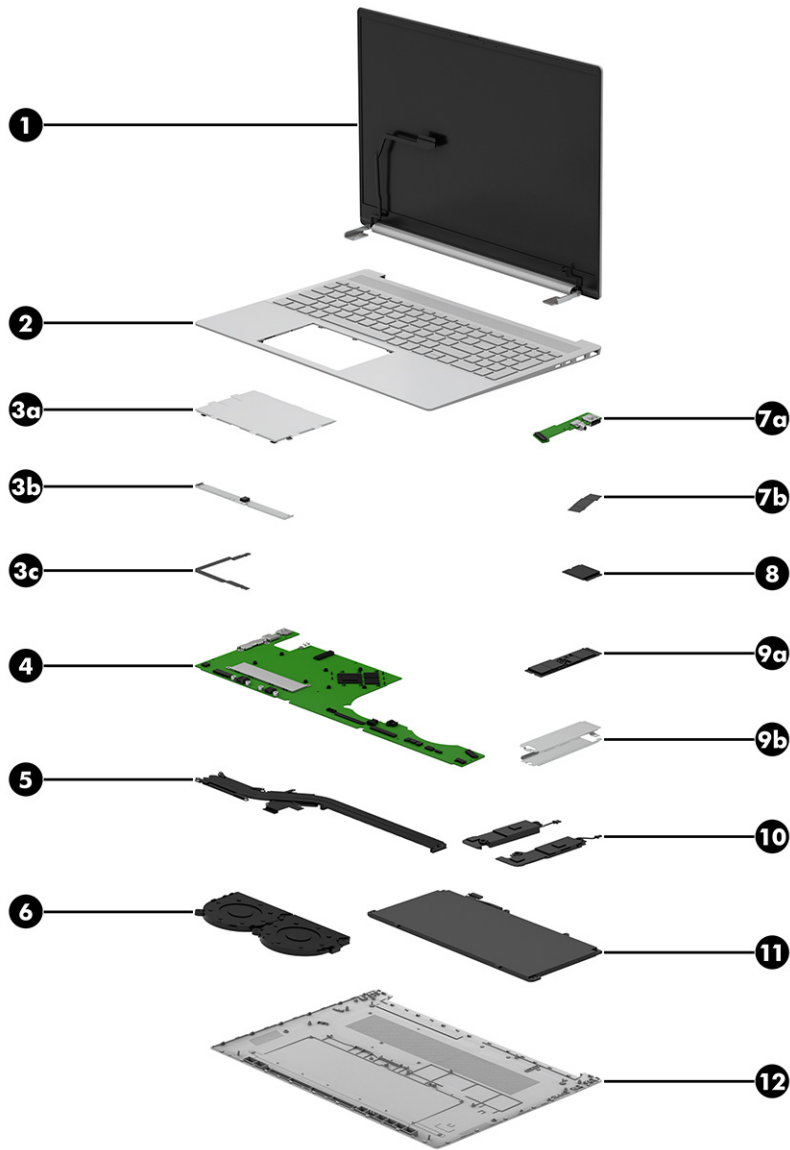
To identify the computer major components, use this illustration and table.

---

 **NOTE:** HP continually improves and changes product parts. For complete and current information about supported parts for your computer, go to <http://partsurfer.hp.com>, select your country or region, and then follow the on-screen instructions.

 **NOTE:** Details about your computer, including model, serial number, product key, and length of warranty, are on the service tag at the bottom of your computer.

---



**Table 3-1** Computer major component descriptions and part numbers

| Item | Component  | Spare part number |
|------|--|-------------------|
| (1)  | <b>Display assembly</b>  |                   |
|      | <b>NOTE:</b> Display assembly spare parts are available only as subcomponents. For spare part information, see <a href="#">Display assembly subcomponents on page 19</a> . |                   |
| (2)  | <b>Top cover and keyboard</b>  |                   |
|      | Natural silver finish with soft gray keys (includes keyboard cable)  | N95995-xxx        |
| (2)  | Darker sky blue opaque finish with darker meteor silver opaque keys (includes backlight cable and keyboard cable)  | N95996-xxx        |
|      | <b>NOTE:</b> For a detailed list of country codes, see <a href="#">Top cover and keyboard on page 59</a> .   |                   |

**Table 3-1 Computer major component descriptions and part numbers (continued)**

| Item        | Component   | Spare part number |
|-------------|---|-------------------|
| <b>(3a)</b> | <b>Touchpad</b>   |                   |
|             | <b>NOTE:</b> The touchpad spare part kit does not include the touchpad bracket or the touchpad cable. The touchpad bracket is not available as a spare part. The touchpad cable is available using spare part number N94794-001.  |                   |
|             | Natural silver finish   | N94792-001        |
|             | Darker sky blue finish  | N94793-001        |
| <b>(3b)</b> | <b>Touchpad bracket</b>   |                   |
|             | <b>NOTE:</b> The touchpad bracket is not available as a spare part.   |                   |
| <b>(3c)</b> | <b>Touchpad cable</b> (includes double-sided adhesive)  | N94794-001        |
| <b>(4)</b>  | <b>System board</b> (includes integrated processor and replacement thermal material)  |                   |
|             | Equipped with an Intel Core Ultra7 155U processor (10 cores, 12 MB L3 cache, 15W), 32 GB of system memory, an Intel MX570A graphics controller with 4 GB of discrete graphics subsystem memory, and the Windows 11 operating system   | N94760-601        |
|             | Equipped with an Intel Core Ultra7 155U processor (10 cores, 12 MB L3 cache, 15W), 32 GB of system memory, an Intel MX570A graphics controller with 4 GB of discrete graphics subsystem memory, and a non-Windows operating system  | N94760-001        |
|             | Equipped with an Intel Core Ultra7 155U processor (10 cores, 12 MB L3 cache, 15W), 16 GB of system memory, an Intel graphics controller with UMA graphics subsystem memory, and the Windows 11 operating system   | N94763-601        |
|             | Equipped with an Intel Core Ultra7 155U processor (10 cores, 12 MB L3 cache, 15W), 16 GB of system memory, an Intel graphics controller with UMA graphics subsystem memory, and a non-Windows operating system  | N94763-001        |
|             | Equipped with an Intel Core Ultra5 125U processor (10 cores, 12 MB L3 cache, 15W), 16 GB of system memory, an Intel graphics controller with UMA graphics subsystem memory, and the Windows 11 operating system   | N94761-601        |
|             | Equipped with an Intel Core Ultra5 125U processor (10 cores, 12 MB L3 cache, 15W), 16 GB of system memory, an Intel graphics controller with UMA graphics subsystem memory, and a non-Windows operating system  | N94761-001        |
|             | Equipped with an Intel Core Ultra5 125U processor (10 cores, 12 MB L3 cache, 15W), 8 GB of system memory, an Intel graphics controller with UMA graphics subsystem memory, and the Windows 11 operating system  | N94762-601        |
|             | Equipped with an Intel Core Ultra5 125U processor (10 cores, 12 MB L3 cache, 15W), 8 GB of system memory, an Intel graphics controller with UMA graphics subsystem memory, and a non-Windows operating system   | N94762-001        |
|             | Equipped with an Intel Core 150U processor (10 cores, 12 MB L3 cache, 15W), 32 GB of system memory, an Intel graphics controller with UMA graphics subsystem memory, and the Windows 11 operating system  | N94767-601        |
|             | Equipped with an Intel Core 150U processor (10 cores, 12 MB L3 cache, 15W), 32 GB of system memory, an Intel graphics controller with UMA graphics subsystem memory, and a non-Windows operating system   | N94767-001        |
|             | Equipped with an Intel Core 150U processor (10 cores, 12 MB L3 cache, 15W), 16 GB of system memory, an Intel graphics controller with UMA graphics subsystem memory, and the Windows 11 operating system for use only on computer models equipped with an OLED display assembly | N94766-601        |

**Table 3-1 Computer major component descriptions and part numbers (continued)**

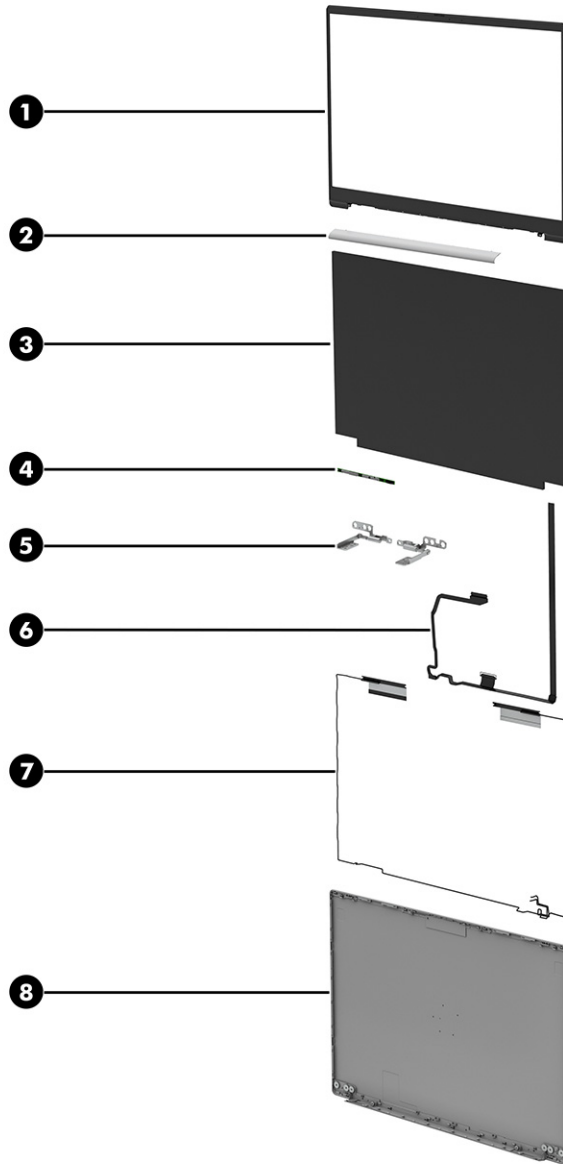
| <b>Item</b> | <b>Component</b>  | <b>Spare part number</b> |
|-------------|---|--------------------------|
|             | Equipped with an Intel Core 150U processor (10 cores, 12 MB L3 cache, 15W), 16 GB of system memory, an Intel graphics controller with UMA graphics subsystem memory, and a non-Windows operating system for use only on computer models equipped with an OLED display assembly  | N94766-001               |
|             | Equipped with an Intel Core 120U processor (10 cores, 12 MB L3 cache, 15W), 16 GB of system memory, an Intel graphics controller with UMA graphics subsystem memory, and the Windows 11 operating system for use only on computer models equipped with an OLED display assembly | N94764-601               |
|             | Equipped with an Intel Core 120U processor (10 cores, 12 MB L3 cache, 15W), 16 GB of system memory, an Intel graphics controller with UMA graphics subsystem memory, and a non-Windows operating system for use only on computer models equipped with an OLED display assembly  | N94764-001               |
|             | Equipped with an Intel Core 120U processor (10 cores, 12 MB L3 cache, 15W), 16 GB of system memory, an Intel graphics controller with UMA graphics subsystem memory, and the Windows 11 operating system  | N94768-601               |
|             | Equipped with an Intel Core 120U processor (10 cores, 12 MB L3 cache, 15W), 16 GB of system memory, an Intel graphics controller with UMA graphics subsystem memory, and a non-Windows operating system   | N94768-001               |
|             | Equipped with an Intel Core 120U processor (10 cores, 12 MB L3 cache, 15W), 8 GB of system memory, an Intel graphics controller with UMA graphics subsystem memory, and the Windows 11 operating system   | N94765-601               |
|             | Equipped with an Intel Core 120U processor (10 cores, 12 MB L3 cache, 15W), 8 GB of system memory, an Intel graphics controller with UMA graphics subsystem memory, and a non-Windows operating system  | N94765-001               |
| <b>(5)</b>  | <b>Heat sink</b> (includes captive screws and replacement thermal material)   |                          |
|             | For use only on computer models equipped with a graphics subsystem with discrete memory   | N94797-001               |
|             | For use only on computer models equipped with a graphics subsystem with UMA memory and an Intel Core Ultra7 155U or Intel Core Ultra5 125U processor  | N94796-001               |
|             | For use only on computer models equipped with a graphics subsystem with UMA memory and an Intel Core 150U or Intel Core 120U processor  | N94795-001               |
|             | <b>Thermal Pad Kit</b> for use only on computer models equipped with a graphics subsystem with discrete memory  | N95994-001               |
| <b>(6)</b>  | <b>Fan</b> (includes cable)   |                          |
|             | Left and right fans (for use only on computer models equipped with a graphics subsystem with discrete memory)   | N94800-001               |
|             | Left fan (for use only on computer models equipped with a graphics subsystem with UMA memory)   | N94801-001               |
| <b>(7a)</b> | <b>Connector board</b> (includes connector)   | N94772-001               |
|             | <b>NOTE:</b> The connector board spare part kit does not include the connector board cable. The connector cable is available using spare part number N94774-001.  |                          |
| <b>(7b)</b> | <b>Connector board cable</b>  | N94774-001               |
| <b>(8)</b>  | <b>WLAN module</b>  |                          |
|             | Intel AX211 M.2 2230 Wi-Fi 6E + Bluetooth 5.3 160 MHz CNVi worldwide WLAN module  | M53366-005               |
|             | Realtek 8852BE M.2 2230 Wi-Fi 6 + Bluetooth 5.3 worldwide WLAN module   | M91238-005               |

**Table 3-1 Computer major component descriptions and part numbers (continued)**

| Item        | Component   | Spare part number |
|-------------|---|-------------------|
|             | <b>WLAN module plate</b> (not illustrated)  |                   |
|             | <b>NOTE:</b> The WLAN module plate is available in the Miscellaneous Kit, spare part number N94803-001. |                   |
| <b>(9a)</b> | <b>SSD</b>  |                   |
|             | 2 TB, M.2 2280, PCIe-4x4, ZTurbo SSD with TLC   | M52027-005        |
|             | 1 TB, M.2 2280, PCIe-4x4, NVMe, value SSD   | N45474-005        |
|             | 512 GB, M.2 2280, PCIe-4x4, NVMe, SSD   | N45476-005        |
| <b>(9b)</b> | <b>SSD bracket</b>  |                   |
|             | <b>NOTE:</b> The SSD bracket is not available as a spare part.  |                   |
| <b>(10)</b> | <b>Speakers</b> (includes left and right speakers, cables, and four rubber isolators)                   | N94802-001        |
| <b>(11)</b> | <b>3 cell, 59 Whr, Li-Ion battery</b> (includes cable)  | N66215-005        |
|             | <b>Battery cable</b> (not illustrated)  | N94799-001        |
| <b>(12)</b> | <b>Bottom cover</b> (includes three rubber feet)  |                   |
|             | Natural silver finish   | N95992-001        |
|             | Sky blue finish   | N95993-001        |

## Display assembly subcomponents

To identify the display assembly subcomponents, use this illustration and table.



**Table 3-2** Display component descriptions and part numbers

| Item | Component  | Spare part number |
|------|--|-------------------|
| (1)  | <b>Display bezel</b> (includes display hinge cap)  |                   |
|      | Natural silver finish for use on computer models equipped with an infrared webcam                      | N94783-001        |
|      | Natural silver finish for use on computer models not equipped with an infrared webcam                  | N94780-001        |
|      | Sky blue finish for use on computer models equipped with an infrared webcam                            | N94784-001        |
|      | Sky blue finish for use on computer models not equipped with an infrared webcam                        | N94781-001        |
|      | <b>Display Adhesive Kit</b> (not illustrated, includes double-sided adhesive for use on display bezel) | N94787-001        |
| (2)  | <b>Display hinge cap</b>   |                   |
|      | <b>NOTE:</b> The display hinge cap is included in the display bezel spare part kit.                    |                   |

**Table 3-2 Display component descriptions and part numbers (continued)**

| Item       | Component   | Spare part number |
|------------|---|-------------------|
| <b>(3)</b> | <b>Display panel</b>  |                   |
|            | 40.6 cm (16.0 in), OLED 2K, brightview, UWVA, non-touchscreen display panel; typical brightness: 400 nits   | N94771-001        |
|            | 40.6 cm (16.0 in), WUXGA (1366 × 768), antiglare, UWVA, touchscreen display panel; typical brightness: 300 nits   | N94770-001        |
|            | 40.6 cm (16.0 in), WUXGA (1366 × 768), antiglare, UWVA, non-touchscreen display panel; typical brightness: 300 nits   | N94769-001        |
| <b>(4)</b> | <b>Webcam/microphone module</b> (includes microphone rubber covers and double-sided adhesive)   |                   |
|            | <b>NOTE:</b> The webcam/microphone module spare part kit does not include the webcam/microphone module cable. The webcam/microphone module cable is included in the display panel cable spare part kit. |                   |
|            | For use on computer models equipped with an infrared webcam   | N94789-001        |
|            | For use on computer models not equipped with an infrared webcam   | N94788-001        |
| <b>(5)</b> | <b>Display hinges</b> (2, includes left and right hinges)   | N94778-001        |
| <b>(6)</b> | <b>Display panel cable</b> (includes webcam/microphone module cable and double-sided adhesive)  |                   |
|            | For use on computer models equipped with a touchscreen display panel  | N94786-001        |
|            | For use on computer models not equipped with a touchscreen display panel  | N94785-001        |
| <b>(7)</b> | <b>WLAN antennas</b> (includes left and right WLAN antenna cables and transceivers and double-sided adhesive)   | N94790-001        |
| <b>(8)</b> | <b>Display back cover</b> (includes wireless antenna cables)  |                   |
|            | Natural silver finish   | N94776-001        |
|            | Sky blue finish   | N94777-001        |

## Miscellaneous parts

To identify the miscellaneous parts, use this table.

**Table 3-3 Miscellaneous part descriptions and part numbers**

| Component  | Spare part number |
|--|-------------------|
| <b>AC adapter</b>  |                   |
| <b>100 W AC adapter</b> (nPFC, USB Type-C, 3 prong)  | N57045-001        |
| <b>65 W AC adapter</b> (nPFC, USB Type-C, 1.8 m [6.6 ft])  | L67440-001        |
| <b>HP USB External DVD+RW Drive</b>  | 747080-001        |
| <b>Miscellaneous Kit</b> (includes connector board connector retainer, SSD thermal pad, and WLAN antenna cable retainer) | N94803-001        |
| <b>Mouse</b>   |                   |
| HP 240 Bluetooth black mouse   | M61216-001        |
| HP Z3700 dual silver wireless mouse  | N33387-001        |

**Table 3-3 Miscellaneous part descriptions and part numbers (continued)**

| <b>Component</b>  | <b>Spare part number</b> |
|---|--------------------------|
| <b>Power cord</b> (C5, 1.0 m [3.3 ft], conventional with sticker) + AC adapter bundle for use in Thailand | M85418-001               |
| <b>Power cord</b> (C5, 1.0 m [3.3 ft], premium with sticker) + AC adapter bundle for use in Thailand      | M85421-001               |
| <b>Power cord</b> (C5, 1.0 m [3.3 ft], conventional with sticker, HF)                                     | M79264-001               |
| <b>Power cord</b> (C5, 1.0 m [3.3 ft], conventional with sticker, HF)                                     | M79266-001               |
| <b>Power cord</b> (C5, 1.0 m [3.3 ft], conventional with sticker)   |                          |
| For use in Argentina  | L19357-001               |
| For use in Australia  | L19358-001               |
| For use in Denmark  | L19360-001               |
| For use in Europe   | L19361-001               |
| For use in India  | L19363-001               |
| For use in Israel   | L19362-001               |
| For use in Japan  | L19364-001               |
| For use in North America  | L19367-001               |
| For use in the People's Republic of China   | L19368-001               |
| For use in South Africa   | L19369-001               |
| For use in South Korea  | L19366-001               |
| For use in Switzerland  | L19370-001               |
| For use in Taiwan   | L19372-001               |
| For use in Thailand   | L19371-001               |
| For use in the United Kingdom   | L19373-001               |
| <b>Power cord</b> (C5, 1.0 m [3.3 ft], premium with sticker)  |                          |
| For use in Argentina  | L30811-001               |
| For use in Australia  | L22327-001               |
| For use in Denmark  | L22322-001               |
| For use in Europe   | L22321-001               |
| For use in India  | L22624-001               |
| For use in Israel   | L22323-001               |
| For use in Japan  | L22330-001               |
| For use in North America  | L22319-001               |
| For use in the People's Republic of China   | L21930-001               |
| For use in South Africa   | L22325-001               |
| For use in South Korea  | L22328-001               |
| For use in Switzerland  | L22324-001               |
| For use in Taiwan   | L22329-001               |

**Table 3-3** Miscellaneous part descriptions and part numbers (continued)

| <b>Component</b>              | <b>Spare part number</b> |
|-------------------------------|--------------------------|
| For use in Thailand           | L22326-001               |
| For use in the United Kingdom | L22320-001               |
| <b>Screw Kit</b>              | N94804-001               |

---

## 4 Removal and replacement procedures preliminary requirements

Use this information to properly prepare to disassemble and reassemble the computer.

### Tools required

You need the following tools to complete the removal and replacement procedures:

- Magnetic Phillips P1 screwdriver
- Nonconductive, nonmarking pry tool
- Suction cups (2)
- Torx T5 screwdriver
- Tweezers

### Service considerations

The following sections include some of the considerations that you must keep in mind during disassembly and assembly procedures.



---

**NOTE:** As you remove each subassembly from the computer, place the subassembly (and all accompanying screws) away from the work area to prevent damage.

---

### Plastic parts

Using excessive force during disassembly and reassembly can damage plastic parts.

### Cables and connectors

Handle cables with extreme care to avoid damage.



---

**IMPORTANT:** When servicing the computer, be sure that cables are placed in their proper locations during the reassembly process. Improper cable placement can damage the computer.

---

Apply only the tension required to unseat or seat the cables during removal and insertion. Handle cables by the connector whenever possible. In all cases, avoid bending, twisting, or tearing cables. Be sure that cables are routed so that they cannot be caught or snagged as you remove or replace parts. Handle flex cables with extreme care; these cables tear easily.

## Drive handling

Note the following guidelines when handling drives.



**IMPORTANT:** Drives are fragile components. Handle them with care. To prevent damage to the computer, damage to a drive, or loss of information, observe these precautions:

- Before removing or inserting a hard drive, shut down the computer. If you are unsure whether the computer is off or in Hibernation, turn the computer on, and then shut it down through the operating system.
- Before handling a drive, be sure that you are discharged of static electricity. While handling a drive, avoid touching the connector.
- Before removing an optical drive, be sure that a disc is not in the drive, and be sure that the optical drive tray is closed.
- Handle drives on surfaces covered with at least 2.54 cm (1 inch) of shock-proof foam.
- Avoid dropping drives from any height onto any surface.
- After removing a hard drive or an optical drive, place it in a static-proof bag.
- Avoid exposing an internal hard drive to products that have magnetic fields, such as monitors or speakers.
- Avoid exposing a drive to temperature extremes or liquids.
- If a drive must be mailed, place the drive in a bubble pack mailer or other suitable form of protective packaging, and label the package “FRAGILE.”

## Electrostatic discharge information

A sudden discharge of static electricity from your finger or other conductor can destroy static-sensitive devices or microcircuitry. Often the spark is neither felt nor heard, but damage occurs. An electronic device exposed to electrostatic discharge (ESD) might not appear to be affected at all and can work perfectly throughout a normal cycle. The device might function normally for a while, but it has been degraded in the internal layers, reducing its life expectancy.

Networks built into many integrated circuits provide some protection, but in many cases, the discharge contains enough power to alter device parameters or melt silicon junctions.



**IMPORTANT:** To prevent damage to the device when you remove or install internal components, observe these precautions:

- Keep components in their electrostatic-safe containers until you are ready to install them.
- Before touching an electronic component, discharge static electricity by using the guidelines described in [Personal grounding methods and equipment on page 26](#).
- Avoid touching pins, leads, and circuitry. Handle electronic components as little as possible.
- If you remove a component, place it in an electrostatic-safe container.

## Generating static electricity

Follow these static electricity guidelines:

- Different activities generate different amounts of static electricity.
- Static electricity increases as humidity decreases.

**Table 4-1 Static electricity occurrence based on activity and humidity**

| Event   | Relative humidity |          |          |
|---|-------------------|----------|----------|
|   | 55%               | 40%      | 10%      |
| Walking across carpet                                   | 7,500 V           | 15,000 V | 35,000 V |
| Walking across vinyl floor                              | 3,000 V           | 5,000 V  | 12,000 V |
| Motions of bench worker                                 | 400 V             | 800 V    | 6,000 V  |
| Removing dual in-line packages (DIPs) from plastic tube | 400 V             | 700 V    | 2,000 V  |
| Removing DIPs from vinyl tray                           | 2,000 V           | 4,000 V  | 11,500 V |
| Removing DIPs from polystyrene foam                     | 3,500 V           | 5,000 V  | 14,500 V |
| Removing bubble pack from PCB (printed circuit board)   | 7,000 V           | 20,000 V | 26,500 V |
| Packing PCBs in foam-lined box                          | 5,000 V           | 11,000 V | 21,000 V |



**NOTE:** Multiple electric components can be packaged together in plastic tubes, trays, or polystyrene foam.

As little as 700 V of static electricity can degrade a product.

## Preventing electrostatic damage to equipment

Many electronic components are sensitive to ESD. Circuitry design and structure determine the degree of sensitivity.

The following packaging and grounding precautions are necessary to prevent static electricity damage to electronic components:

- To avoid hand contact, transport products in static-safe containers such as tubes, bags, or boxes.
- Protect all electrostatic parts and assemblies with conductive or approved containers or packaging.
- Keep electrostatic-sensitive parts in their containers until they arrive at static-free stations.
- Place items on a grounded surface before removing them from their container.
- Always be properly grounded when touching a sensitive component or assembly.
- Avoid contact with pins, leads, or circuitry.
- Place reusable electrostatic-sensitive parts from assemblies in protective packaging or conductive foam.

## Personal grounding methods and equipment

Using certain equipment can prevent static electricity damage to electronic components.

- **Wrist straps** are flexible straps with a maximum of  $1\text{ M}\Omega \pm 10\%$  resistance in the ground cords. To provide proper ground, a strap must be worn snug against bare skin. The ground cord must be connected and fit snugly into the banana plug connector on the grounding mat or workstation.
- You can use **heel straps, toe straps, and boot straps** at standing workstations. These straps are compatible with most types of shoes or boots. On conductive floors or dissipative floor mats, use them on both feet with a maximum of  $1\text{ M}\Omega \pm 10\%$  resistance between the operator and ground.

**Table 4-2 Static shielding protection levels**

| Static shielding protection levels |         |
|------------------------------------|---------|
| Method                             | Voltage |
| Antistatic plastic                 | 1,500   |
| Carbon-loaded plastic              | 7,500   |
| Metallized laminate                | 15,000  |

## Grounding the work area

To prevent static damage at the work area, follow these precautions:

- Cover the work surface with approved static-dissipative material.
- Use a wrist strap connected to a properly grounded work surface and use properly grounded tools and equipment.
- Use static-dissipative mats, foot straps, or air ionizers to give added protection.
- Handle electrostatic sensitive components, parts, and assemblies by the case or PCB laminate. Handle them only at static-free work areas.
- Turn off power and input signals before inserting and removing connectors or test equipment.
- Use fixtures made of static-safe materials when fixtures must directly contact dissipative surfaces.
- Keep the work area free of nonconductive materials, such as ordinary plastic assembly aids and polystyrene foam.
- Use conductive field service tools, such as cutters, screwdrivers, and vacuums.
- Avoid contact with pins, leads, or circuitry.

## Recommended materials and equipment

HP recommends certain materials and equipment to prevent static electricity:

- Antistatic tape
- Antistatic smocks, aprons, or sleeve protectors
- Conductive bins and other assembly or soldering aids
- Conductive foam
- Conductive tabletop workstations with ground cord of  $1\text{ M}\Omega \pm 10\%$  resistance
- Static-dissipative table or floor mats with hard tie to ground

- Field service kits
- Static awareness labels
- Wrist straps and footwear straps providing 1 MΩ ±10% resistance
- Material handling packages
- Conductive plastic bags
- Conductive plastic tubes
- Conductive tote boxes
- Opaque shielding bags
- Transparent metallized shielding bags
- Transparent shielding tubes

## Cleaning your computer

Cleaning your computer regularly removes dirt and debris so that your device continues to operate at its best. Use the following information to safely clean the external surfaces of your computer.

### Enabling HP Easy Clean (select products only)

HP Easy Clean helps you to avoid accidental input while you clean the computer surfaces. This software disables devices such as the keyboard, touch screen, and touchpad for a preset amount of time so that you can clean all computer surfaces.

1. Start HP Easy Clean in one of the following ways:
  - Select the **Start** menu, and then select **HP Easy Clean**.  
- or -
  - Select the **HP Easy Clean** icon in the taskbar.  
- or -
  - Select **Start**, and then select the **HP Easy Clean** tile.
2. Now that your device is disabled for a short period, see [Removing dirt and debris from your computer on page 28](#) for the recommended steps to clean the high-touch, external surfaces on your computer. After you remove the dirt and debris, you can also clean the surfaces with a disinfectant. See [Cleaning your computer with a disinfectant on page 29](#) for guidelines to help prevent the spread of harmful bacteria and viruses.

### Removing dirt and debris from your computer

Here are the recommended steps to clean dirt and debris from your computer.

For computers with wood veneer, see [Caring for wood veneer \(select products only\) on page 30](#).

1. Wear disposable gloves made of latex (or nitrile gloves, if you are latex-sensitive) when cleaning the surfaces.

2. Turn off your device and unplug the power cord and other connected external devices. Remove any installed batteries from items such as wireless keyboards.

---

**⚠ CAUTION:** To prevent electric shock or damage to components, never clean a product while it is turned on or plugged in.

---

3. Moisten a microfiber cloth with water. The cloth should be moist, but not dripping wet.

---

**🧤 IMPORTANT:** To avoid damaging the surface, avoid abrasive cloths, towels, and paper towels.

---

4. Wipe the exterior of the product gently with the moistened cloth.

---

**🧤 IMPORTANT:** Keep liquids away from the product. Avoid getting moisture in any openings. If liquid makes its way inside your HP product, it can cause damage to the product. Do not spray liquids directly on the product. Do not use aerosol sprays, solvents, abrasives, or cleaners containing hydrogen peroxide or bleach that might damage the finish.

---

5. Start with the display (if applicable). Wipe carefully in one direction, and move from the top of the display to the bottom. Finish with any flexible cables, like power cord, keyboard cable, and USB cables.
6. Be sure that surfaces have completely air-dried before turning the device on after cleaning.
7. Discard the gloves after each cleaning. Clean your hands immediately after you remove the gloves.

See [Cleaning your computer with a disinfectant on page 29](#) for recommended steps to clean the high-touch, external surfaces on your computer to help prevent the spread of harmful bacteria and viruses.

## Cleaning your computer with a disinfectant

The World Health Organization (WHO) recommends cleaning surfaces, followed by disinfection, as a best practice for preventing the spread of viral respiratory illnesses and harmful bacteria.

After cleaning the external surfaces of your computer using the steps in [Removing dirt and debris from your computer on page 28](#), [Caring for wood veneer \(select products only\) on page 30](#), or both, you might also choose to clean the surfaces with a disinfectant. A disinfectant that is within HP's cleaning guidelines is an alcohol solution consisting of 70% isopropyl alcohol and 30% water. This solution is also known as rubbing alcohol and is sold in most stores.

Follow these steps when disinfecting high-touch, external surfaces on your computer:

1. Wear disposable gloves made of latex (or nitrile gloves, if you are latex-sensitive) when cleaning the surfaces.
2. Turn off your device and unplug the power cord and other connected external devices. Remove any installed batteries from items such as wireless keyboards.

---

**⚠ CAUTION:** To prevent electric shock or damage to components, never clean a product while it is turned on or plugged in.


---

3. Moisten a microfiber cloth with a mixture of 70% isopropyl alcohol and 30% water. The cloth should be moist, but not dripping wet.

---


**⚠ CAUTION:** Do not use any of the following chemicals or any solutions that contain them, including spray-based surface cleaners: bleach, peroxides (including hydrogen peroxide), acetone, ammonia,

ethyl alcohol, methylene chloride, or any petroleum-based materials, such as gasoline, paint thinner, benzene, or toluene.

 **IMPORTANT:** To avoid damaging the surface, avoid abrasive cloths, towels, and paper towels.

---

4. Wipe the exterior of the product gently with the moistened cloth.

 **IMPORTANT:** Keep liquids away from the product. Avoid getting moisture in any openings. If liquid makes its way inside your HP product, it can cause damage to the product. Do not spray liquids directly on the product. Do not use aerosol sprays, solvents, abrasives, or cleaners containing hydrogen peroxide or bleach that might damage the finish.

---

5. Start with the display (if applicable). Wipe carefully in one direction, and move from the top of the display to the bottom. Finish with any flexible cables, like power cord, keyboard cable, and USB cables.
6. Be sure that surfaces have completely air-dried before turning the device on after cleaning.
7. Discard the gloves after each cleaning. Clean your hands immediately after you remove the gloves.

## Caring for wood veneer (select products only)

Your product might feature high-quality wood veneer. As with all natural wood products, proper care is important for best results over the life of the product. Because of the nature of natural wood, you might see unique variations in the grain pattern or subtle variations in color, which are normal.

- Clean the wood with a dry, static-free microfiber cloth or chamois.
- Avoid cleaning products containing substances such as ammonia, methylene chloride, acetone, turpentine, or other petroleum-based solvents.
- Do not expose the wood to sun or moisture for long periods of time.
- If the wood becomes wet, dry it by dabbing with an absorbent, lint-free cloth.
- Avoid contact with any substance that might dye or discolor the wood.
- Avoid contact with sharp objects or rough surfaces that might scratch the wood.

See [Removing dirt and debris from your computer on page 28](#) for the recommended steps to clean the high-touch, external surfaces on your computer. After you remove the dirt and debris, you can also clean the surfaces with a disinfectant. See [Cleaning your computer with a disinfectant on page 29](#) for sanitizing guidelines to help prevent the spread of harmful bacteria and viruses.

## Packaging and transporting guidelines

Follow these grounding guidelines when packaging and transporting equipment:


- To avoid hand contact, transport products in static-safe tubes, bags, or boxes.
- Protect ESD-sensitive parts and assemblies with conductive or approved containers or packaging.
- Keep ESD-sensitive parts in their containers until the parts arrive at static-free workstations.
- Place items on a grounded surface before removing items from their containers.
- Always be properly grounded when touching a component or assembly.

- Store reusable ESD-sensitive parts from assemblies in protective packaging or nonconductive foam.
- Use transporters and conveyors made of antistatic belts and roller bushings. Be sure that mechanized equipment used for moving materials is wired to ground and that proper materials are selected to avoid static charging. When grounding is not possible, use an ionizer to dissipate electric charges.

## Accessing support information

To find the HP support that you need, use this information.

**Table 4-3 Support information locations**

| Service consideration  | Path to access information   |
|--|--|
| Records of reported failure incidents stored on the computer | <p><b>Windows®:</b></p> <p>Preoperating system failures are logged in the BIOS Event Log. To view the BIOS Event Log:</p> <ol style="list-style-type: none"> <li>1. Press the power button.</li> <li>2. Immediately and repeatedly press <b>esc</b> when the power button light turns white.</li> </ol> <p><b>NOTE:</b> If you do not press <b>esc</b> at the appropriate time, you must restart the computer and again repeatedly press <b>esc</b> when the power button light turns white to access the utility.</p> <ol style="list-style-type: none"> <li>3. Press <b>f10</b> to enter the BIOS setup.</li> <li>4. (On commercial products) Under the <b>Main</b> tab, select <b>BIOS event log</b>, and then select <b>View BIOS Event Log</b>.</li> </ol> <p>- or -</p> <p>(On consumer products) Under the <b>Main</b> tab, select <b>System Log</b>.</p> <p>Post-operating system failures are logged in the Event Viewer.</p> <ol style="list-style-type: none"> <li>1. Turn on the computer and allow the operating system to open.</li> <li>2. Select the search icon  in the taskbar.</li> <li>3. Type <code>Event Viewer</code>, and then press <b>enter</b>.</li> <li>4. Select the log from the left panel. Details display in the right panel.</li> </ol> <p><b>Chrome™:</b></p> <ol style="list-style-type: none"> <li>1. Go to <a href="https://support.google.com/chrome">support.google.com/chrome</a>.</li> <li>2. Search <code>collect Chrome device logs</code>.</li> </ol> |


**Table 4-3 Support information locations (continued)**


| Service consideration   | Path to access information  |
|---|---|
| Technical bulletins   | To locate technical bulletins: <ol style="list-style-type: none"><li data-bbox="678 310 906 338">1. Go to <a href="http://www.hp.com">www.hp.com</a>.</li><li data-bbox="678 359 1310 386">2. Place the cursor over <b>Problem solving</b> to display more options.</li><li data-bbox="678 407 1046 434">3. Select <b>Support &amp; Troubleshooting</b>.</li><li data-bbox="678 455 1374 512">4. Type the serial number, product number, or product name to go to the product support page.</li><li data-bbox="678 533 1142 560">5. Select <b>Advisories</b> to view technical bulletins.</li></ol> |
| Repair professionals  | To locate repair professionals: <ol style="list-style-type: none"><li data-bbox="678 632 906 659">1. Go to <a href="http://www.hp.com">www.hp.com</a>.</li><li data-bbox="678 680 1334 707">2. Place the cursor over <b>Support resources</b> to display more options.</li><li data-bbox="678 728 1067 756">3. Select <b>Authorized service providers</b>.</li></ol>  |
| Component and diagnosis information, failure detection, and required action | To locate diagnosis information and actions: <ol style="list-style-type: none"><li data-bbox="678 829 1182 856">1. Go to <a href="http://www.hp.com/go/techcenter/pcdiags">http://www.hp.com/go/techcenter/pcdiags</a>.</li><li data-bbox="678 877 911 905">2. Select <b>Get Support</b>.</li><li data-bbox="678 926 1422 974">3. Near the bottom of the window, select <b>Notebook PCs</b>, and then select your location.</li></ol>   |

---

# 5 Removal and replacement procedures for authorized service provider parts

This chapter provides removal and replacement procedures for authorized service provider parts.


 **IMPORTANT:** Only an authorized service provider should access the components described in this chapter. Accessing these parts can damage the computer or void the warranty.

 **NOTE:** Details about your computer, including model, serial number, product key, and length of warranty, are on the service tag at the bottom of your computer.

---

## Component replacement procedures

To remove and replace computer components, use the procedures described in this section.

 **NOTE:** HP continually improves and changes product parts. For complete and current information about supported parts for your computer, go to <https://partsurfer.hp.com/partsurfer/>, select your country or region, and then follow the on-screen instructions.

---

Make special note of each screw size and location during removal and replacement.

## Preparation for disassembly

To remove and replace computer components, use these procedures:

For initial safety procedures, see [Removal and replacement procedures preliminary requirements on page 24](#).

1. Turn off the computer. If you are unsure whether the computer is off or in Hibernation, turn the computer on, and then shut it down through the operating system.
2. Disconnect the power from the computer by unplugging the power cord from the computer.
3. Disconnect all external devices from the computer.

## Bottom cover

To remove the bottom cover, use this procedure and illustration.

**Table 5-1** Bottom cover descriptions and part numbers

| Description                                | Spare part number |
|--|-------------------|
| Bottom cover (includes three rubber feet): |                   |

---

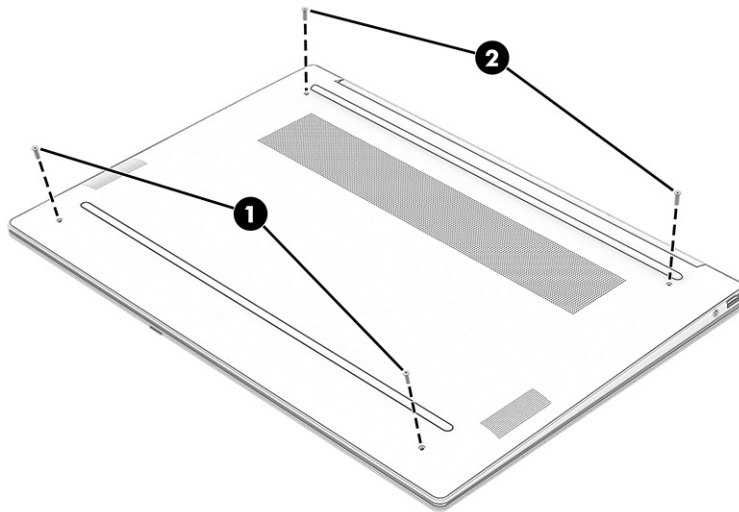
**Table 5-1** Bottom cover descriptions and part numbers (continued)

| Description           | Spare part number |
|-----------------------|-------------------|
| Natural silver finish | N95992-001        |
| Sky blue finish       | N95993-001        |

Before removing the bottom cover, prepare the computer for disassembly (see [Preparation for disassembly on page 33](#)).

Remove the bottom cover:

1. Close the computer and rest it upside down on a flat work surface with the front toward you.
2. Remove the two Phillips M2.0 × 4.9 screws **(1)** and two Phillips M2.0 × 8.4 screws **(2)** that secure the bottom cover to the computer.



3. Attach a suction cup **(1)** to the bottom cover in the location shown in the following illustration.

4. Use the suction cup to separate the front edge of the bottom cover (2) from the computer, and then swing the rear edge of the bottom cover (3) up and forward and remove the bottom cover.



To replace the bottom cover, reverse the removal procedures.

## Battery

To remove the battery, use this procedure and illustration.

**Table 5-2 Battery description and part number**

| Description                                     | Spare part number |
|---|-------------------|
| 3 cell, 59 Whr, Li-ion battery (includes cable) | N66215-005        |
| Battery cable                                   | N94799-001        |

**⚠ WARNING!** To avoid personal injury and damage to the product:

- Do *not* puncture, twist, or crack the battery.
- Do *not* cause an external puncture or rupture to the battery. They can cause a short inside the battery, which can result in battery thermal runaway.
- Do *not* handle or touch the battery enclosure with sharp objects such as tweezers or pliers, which might puncture the battery.
- Do *not* compress or squeeze the battery case with tools or heavy objects stacked on top of the case. These actions can apply undue force on the battery.
- Do *not* touch the connectors with any metallic surface or object, such as metal tools, screws, or coins, which can cause shorting across the connectors.

Before removing the battery, follow these steps:

1. Prepare the computer for disassembly (see [Preparation for disassembly on page 33](#)).

2. Remove the bottom cover (see [Bottom cover on page 33](#)).

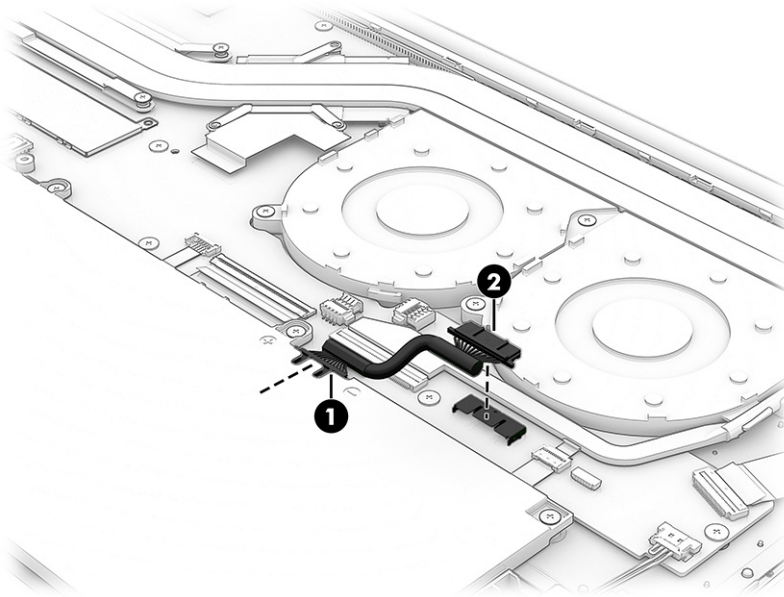
**⚠ WARNING!** To reduce potential safety issues, use only the user-replaceable battery provided with the computer, a replacement battery provided by HP, or a compatible battery purchased from HP.

**📌 IMPORTANT:** Removing a battery that is the sole power source for the computer can cause loss of information. To prevent loss of information, save your work or shut down the computer through Windows before you remove the battery.

Remove the battery:

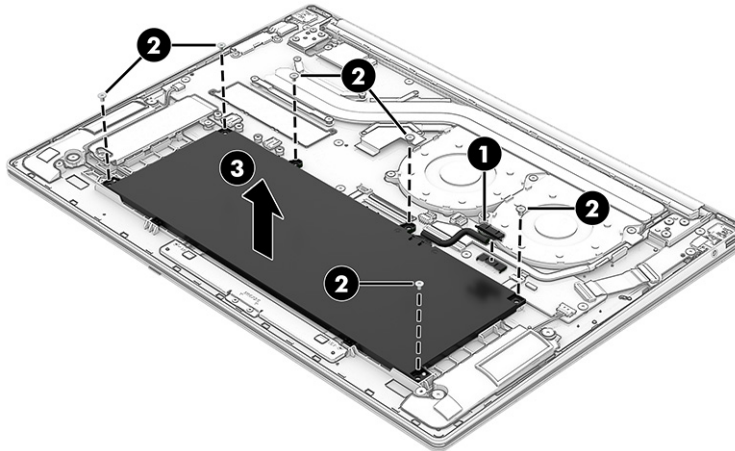
1. If it is necessary to replace the battery cable, disconnect the battery cable **(1)** from the battery, and then disconnect the battery cable **(2)** from the system board.

The battery cable is available using spare number N94799-001.




2. Disconnect the battery cable **(1)** from the system board.
3. Remove the six Phillips M2.0 × 3.3 screws **(2)** that secure the battery to the computer.

4. Remove the battery **(3)** from the computer.



To install the battery, reverse the removal procedures.

 **NOTE:** When replacing the battery, be sure to completely reassemble the computer and plug in the AC adapter before turning the computer on.

## Speakers

To remove the speakers, use this procedure and illustration.

**Table 5-3** Speaker description and part number


| Description  | Spare part number |
|--|-------------------|
| Speakers (includes left and right speakers, cables, and four rubber isolators) | N94802-001        |

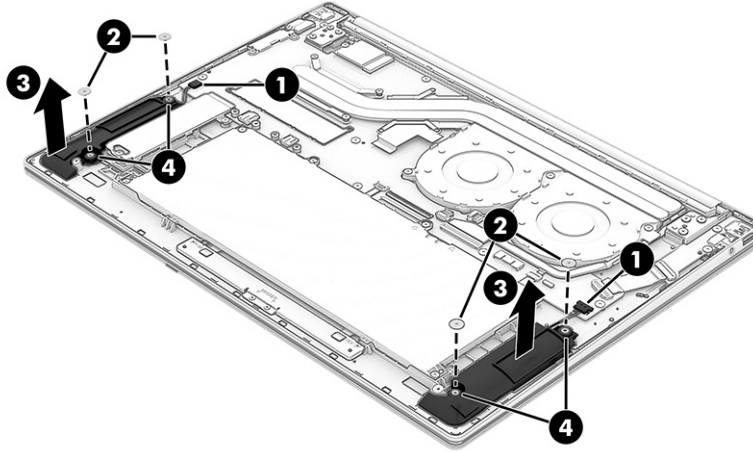
Before removing the speakers, follow these steps:

1. Prepare the computer for disassembly (see [Preparation for disassembly on page 33](#)).
2. Remove the bottom cover (see [Bottom cover on page 33](#)).
3. Disconnect the battery cable from the computer (see [Battery on page 35](#)).

Remove the speakers:

1. Disconnect the speaker cables **(1)** from the system board.
2. Remove the four Phillips M2.0 × 2.4 broadhead screws **(2)** that secure the speakers to the computer.
3. Remove the speakers **(3)** from the computer.

 **NOTE:** When removing the speakers, make note of the location of the rubber isolator locations **(4)**. The absence of or damage to these isolators can result in degraded speaker performance.



To replace the speakers, reverse the removal procedures.

## Solid-state drive

To remove the SSD, use this procedure and illustration.

**Table 5-4 SSD descriptions and part numbers**

| Description                                   | Spare part number |
|---|-------------------|
| 2 TB, M.2 2280, PCIe-4×4, ZTurbo SSD with TLC | M52027-005        |
| 1 TB, M.2 2280, PCIe-4×4, NVMe, value SSD     | N45474-005        |
| 512 GB, M.2 2280, PCIe-4×4, NVMe, SSD         | N45476-005        |

Before removing the SSD, follow these steps:

1. Prepare the computer for disassembly (see [Preparation for disassembly on page 33](#)).
2. Remove the bottom cover (see [Bottom cover on page 33](#)).
3. Disconnect the battery cable from the computer (see [Battery on page 35](#)).

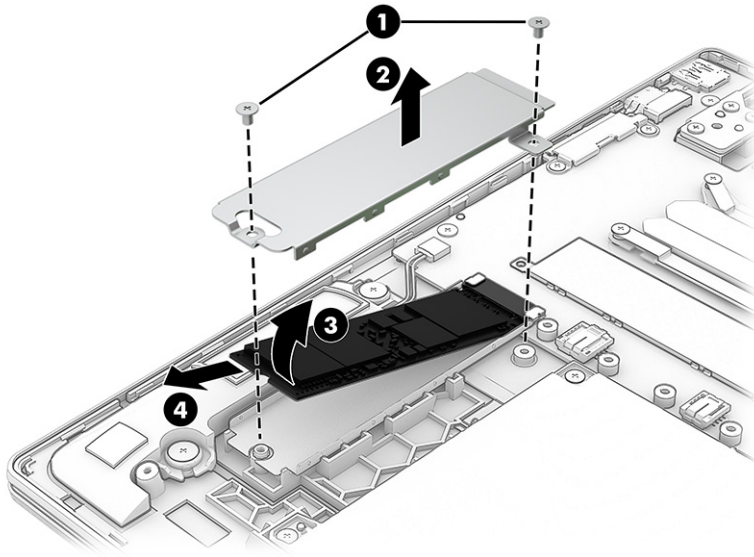
Remove the SSD:

1. Remove the two Phillips M2.0 × 3.3 screws **(1)** that secure the SSD and shield to the computer.
2. Remove the SSD shield **(2)**.

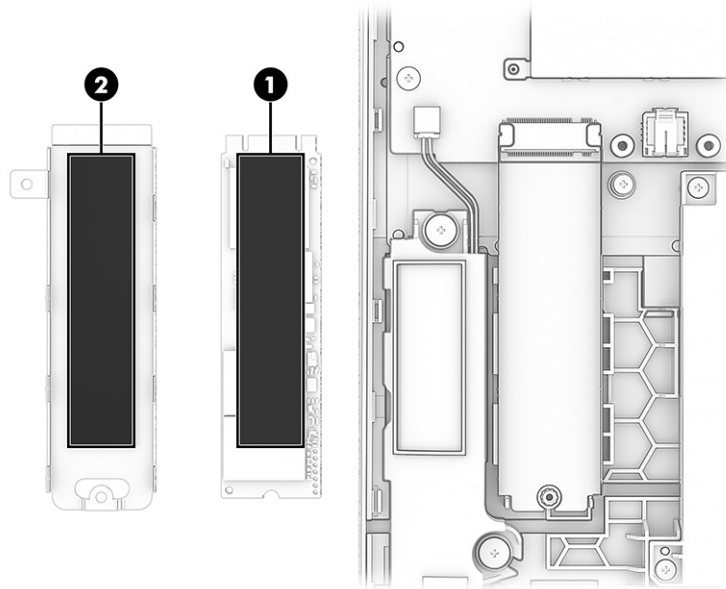
Retain the SSD shield because you will need it when you install an SSD. The SSD shield is not available as a spare part component.

3. Lift the edge of the SSD **(3)** opposite the slot until it rests at an angle.


4. Remove the SSD (4) by pulling the drive away from the slot at an angle.



5. Thoroughly clean the thermal material from the surfaces of the SSD (1) and the SSD shield (2) each time you remove the SSD and shield. Replacement SSD thermal material is available in the Miscellaneous Kit, spare part number N94803-001. The following illustration shows the replacement thermal material locations.



To replace the SSD, reverse the removal procedures.


 **NOTE:** The SSD is designed with a notch to prevent incorrect insertion.

## WLAN module

To remove the WLAN module, use this procedure and illustration.

**Table 5-5 WLAN module descriptions and part numbers**

| Description  | Spare part number |
|--|-------------------|
| Intel AX211 M.2 2230 Wi-Fi 6E + Bluetooth 5.3 160 MHz CNVi worldwide WLAN module | M53366-005        |
| Realtek 8852BE M.2 2230 Wi-Fi 6 + Bluetooth 5.3 worldwide WLAN module            | M91238-005        |


 **IMPORTANT:** To prevent an unresponsive system, replace the wireless module only with a wireless module authorized for use in the computer by the governmental agency that regulates wireless devices in your country or region. If you replace the module and then receive a warning message, remove the module to restore device functionality, and then contact technical support.

Before removing the WLAN module, follow these steps:

1. Prepare the computer for disassembly (see [Preparation for disassembly on page 33](#)).
2. Remove the bottom cover (see [Bottom cover on page 33](#)).
3. Disconnect the battery cable from the computer (see [Battery on page 35](#)).

Remove the WLAN module:

1. Remove the WLAN module plate **(1)** that secures the WLAN antenna cables to the WLAN module.

 **NOTE:** The WLAN module plate is available in the Miscellaneous Kit, spare part number N94803-001.

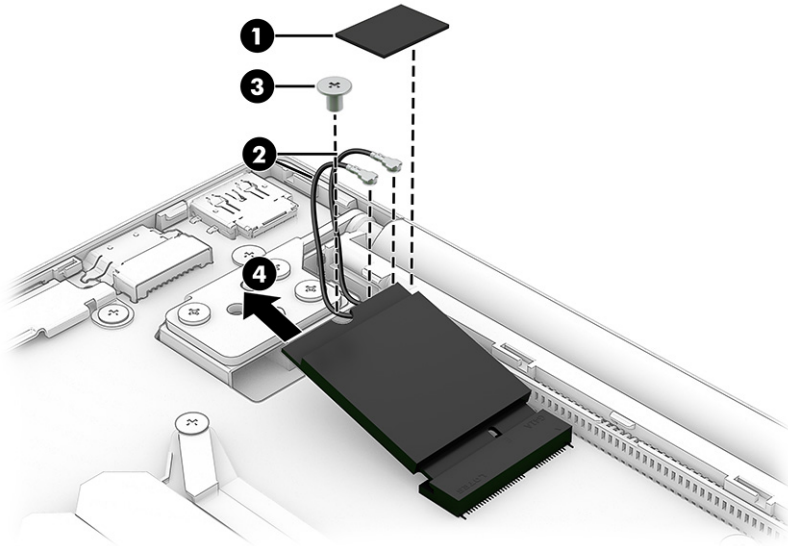
2. Carefully disconnect the two WLAN antenna cables **(2)** from the terminals on the WLAN module.

Computer models have either one or two WLAN antennas. On models with two antennas, the #1 WLAN antenna cable connects to the WLAN module #1 Main terminal. The #2 WLAN antenna cable connects to the WLAN module #2 Aux terminal.

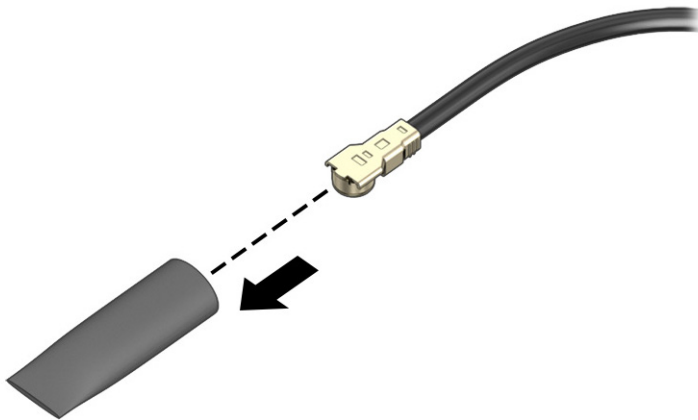
3. Remove the Phillips M2.0 × 2.3 screw **(3)** that secures the WLAN module to the system board.

The edge of the WLAN module opposite the slot lifts up.

- Remove the WLAN module (4) by pulling the module away from the slot at an angle.



- If the WLAN antenna is not connected to the terminal on the WLAN module, install a protective sleeve on the antenna connector, as shown in the following illustration.



To replace the WLAN module, reverse the removal procedures.

**NOTE:** The WLAN module is designed with a notch to prevent incorrect insertion.

## Connector board cable

To remove the connector board cable, use this procedure and illustration.

**Table 5-6** Connector board cable description and part number

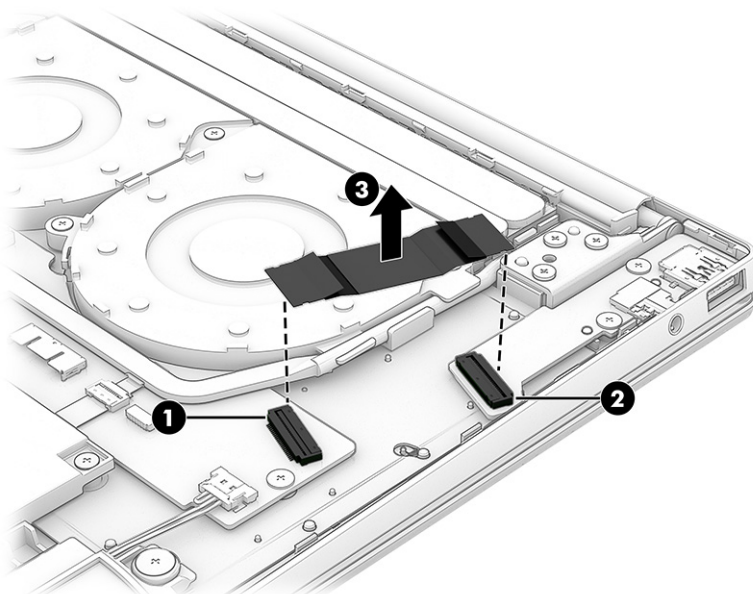
| Description           | Spare part number |
|-----------------------|-------------------|
| Connector board cable | N94774-001        |

Before removing the connector board cable, follow these steps:

1. Prepare the computer for disassembly (see [Preparation for disassembly on page 33](#)).
2. Remove the bottom cover (see [Bottom cover on page 33](#)).
3. Disconnect the battery cable from the computer (see [Battery on page 35](#)).

Remove the connector board cable:

1. Release the zero insertion force (ZIF) connector **(1)** the connector board cable is connected to, and then disconnect the connector board cable from the system board.
2. Release the ZIF connector **(2)** the connector board cable is connected to, and then disconnect the connector board cable from the connector board.
3. Remove the connector board cable **(3)** from the computer.



To replace the connector board cable, reverse the removal procedures.

## Connector board

To remove the connector board, use this procedure and illustration.

**Table 5-7** Connector board description and part number

| Description  | Spare part number |
|--|-------------------|
| Connector board (includes USB port and audio jack) | N94772-001        |

**NOTE:** The connector board spare part kit does not include the connector cable. The connector cable is available using spare part number N94774-001.

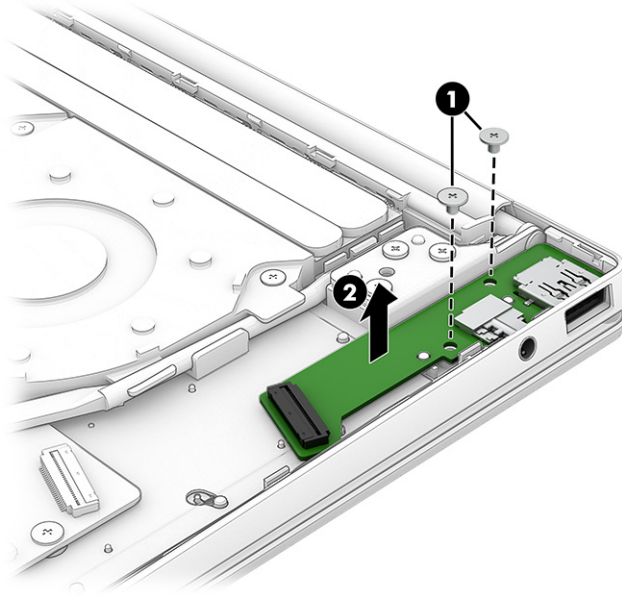
Before removing the connector board, follow these steps:

1. Prepare the computer for disassembly (see [Preparation for disassembly on page 33](#)).
2. Remove the bottom cover (see [Bottom cover on page 33](#)).
3. Disconnect the battery cable from the computer (see [Battery on page 35](#)).

4. Remove the connector board cable (see [Connector board cable on page 41](#)).

Remove the connector board:

1. Remove the two Phillips M2.0 × 2.9 screws **(1)** that secure the connector board to the computer.
2. Remove the connector board **(2)** from the computer.



To replace the connector board, reverse the removal procedures.

## Fans

To remove the fans, use these procedures and illustrations.

**Table 5-8 fans descriptions and part number**

| Description  | Spare part number |
|--|-------------------|
| Left and right fans (for use only on computer models equipped with a graphics subsystem with discrete memory, includes two fan cables) | N94800-001        |
| Left fan (for use only on computer models equipped with a graphics subsystem with UMA memory, includes one fan cable)                  | N94801-001        |

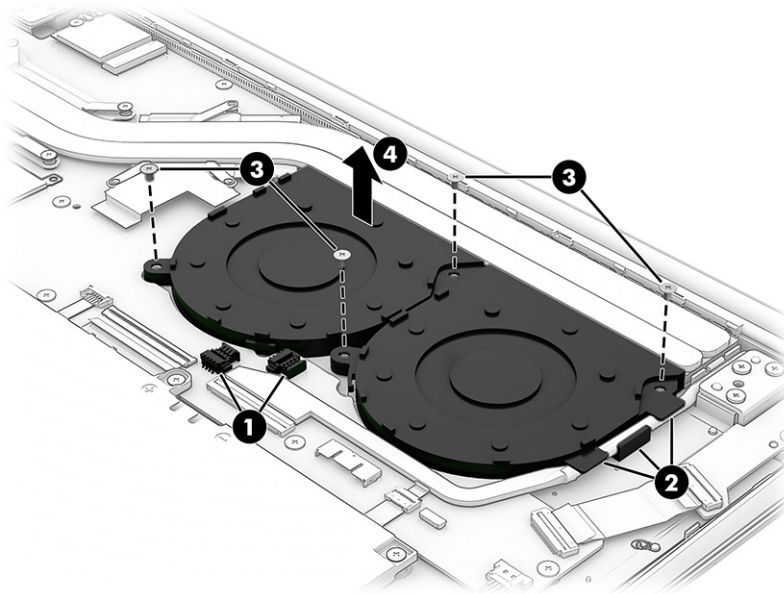
Before removing the fans, follow these steps:

1. Prepare the computer for disassembly (see [Preparation for disassembly on page 33](#)).
2. Remove the bottom cover (see [Bottom cover on page 33](#)).
3. Disconnect the battery cable from the computer (see [Battery on page 35](#)).

Remove the fans:

1. Disconnect the fan cables **(1)** from the system board.
2. Release the display panel cable from the retention clips **(2)** that are built into the left fan.

3. Remove the four Phillips M2.0 × 3.3 screws (3) that secure the fans to the computer.
4. Remove the fans (4) from the computer.



To replace the fans, reverse the removal procedures.

## Display assembly

To remove and disassemble the display assembly, use these procedures and illustrations.

The display assembly is available only at the subcomponent level. Subcomponent level spare part information is available in the subcomponent level disassembly subsection.

Before removing the display assembly, follow these steps:

1. Prepare the computer for disassembly (see [Preparation for disassembly on page 33](#)).
2. Remove the bottom cover (see [Bottom cover on page 33](#)).
3. Disconnect the battery cable from the computer (see [Battery on page 35](#)).

Remove the display assembly:

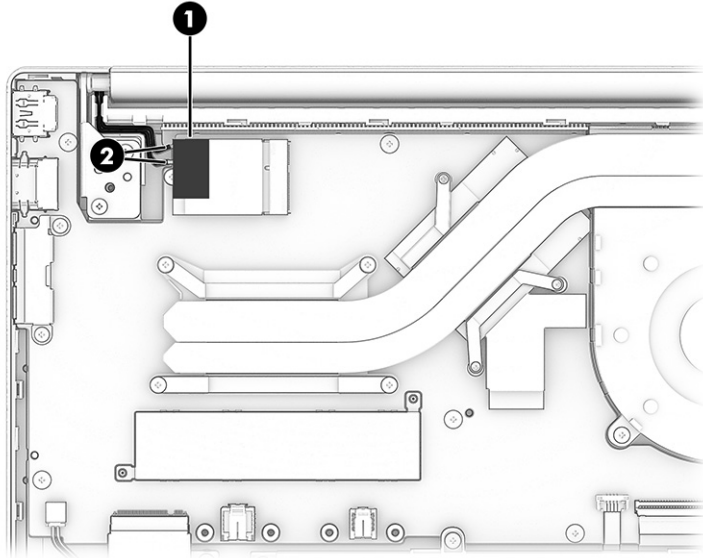
1. Remove the WLAN module plate (1) that secures the WLAN antenna cables to the WLAN module.



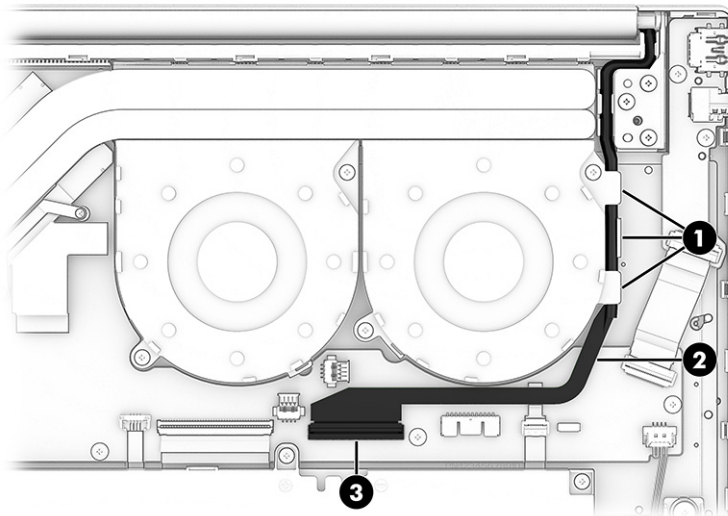
**NOTE:** The WLAN module plate is available in the Miscellaneous Kit, spare part number N10779-001.

2. Carefully disconnect the two WLAN antenna cables (2) from the terminals on the WLAN module.

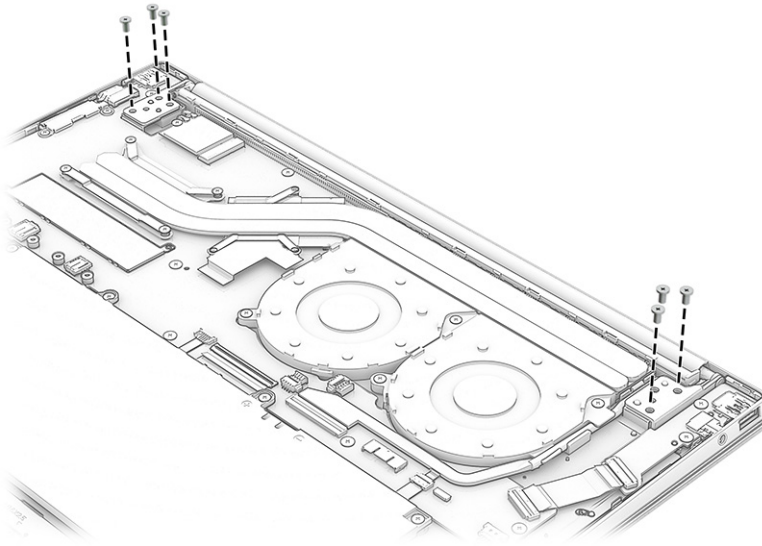
Computer models have either one or two WLAN antennas. On models with two antennas, the #1 WLAN antenna cable connects to the WLAN module #1 Main terminal. The #2 WLAN antenna cable connects to the WLAN module #2 Aux terminal.



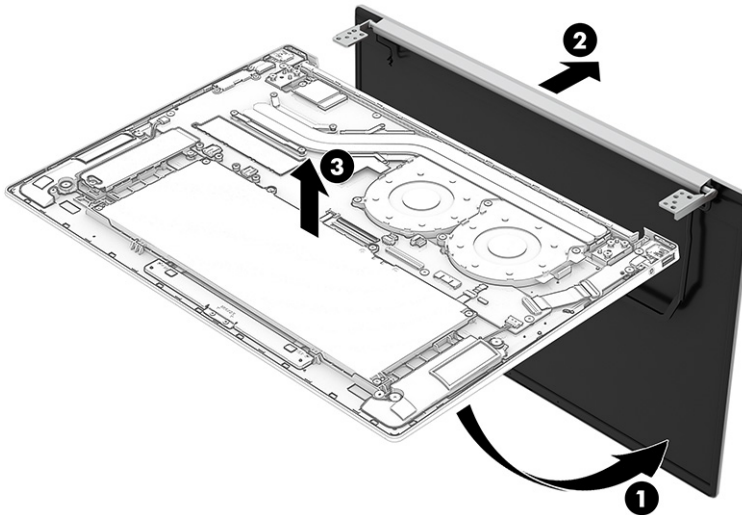
3. Release the display panel cable from the retention clips **(1)** that are built into the left fan.
4. Release the display panel cable **(2)** from the computer. The display panel cable is attached to the computer with double-sided adhesive.
5. Disconnect the display panel cable **(3)** from the system board.



6. Remove the six Phillips M2.5 × 5.6 screws that secure the display assembly to the computer.



7. Swing the top edge of the display assembly (1) down and away from the top cover and keyboard until it rests at a 90-degree angle.
8. Release the display hinges from the top cover by sliding the display assembly (2) straight back.
9. Separate the top cover and keyboard (3) from the display assembly.



10. To remove the display bezel and access the display assembly internal components:



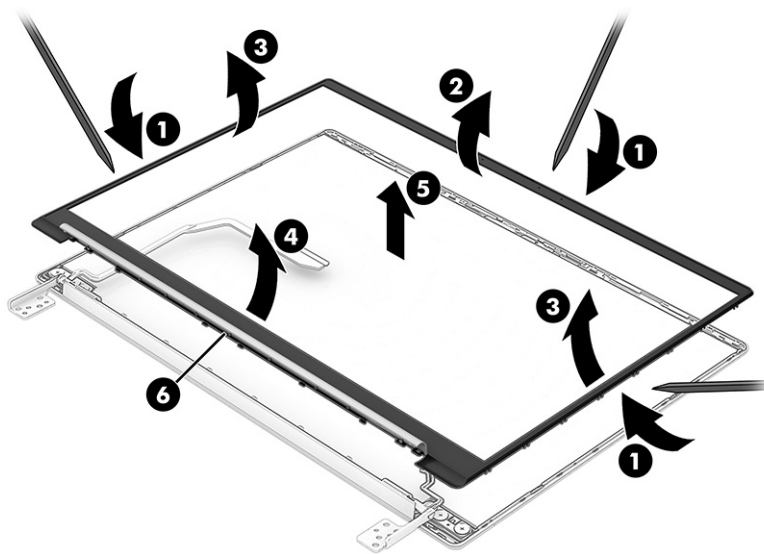
**NOTE:**

- a. Use a thin plastic tool (1), such as a case utility tool, to separate the outside edges of the display bezel from the display assembly.
- b. In the following sequence, release the top (2), left (3) and right, and bottom (4) edges of the display bezel from the display assembly.

- c. Remove the display bezel (5).

The display bezel is available using the following spare part numbers and includes the display hinge cover (6):

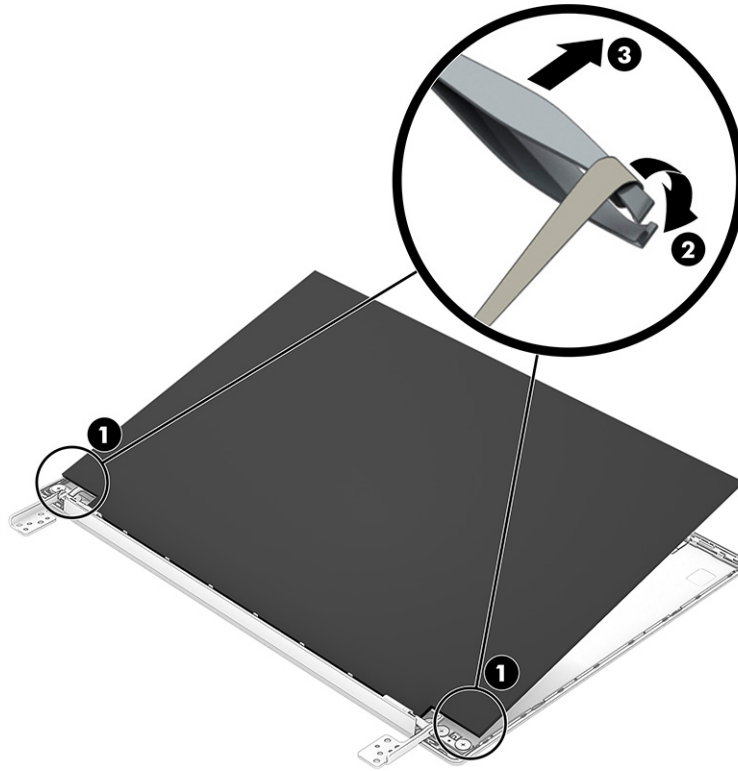
- N94783-001: In natural silver finish for use on computer models equipped with an infrared webcam
- N94780-001: In natural silver finish for use on computer models not equipped with an infrared webcam
- N94784-001: In sky blue finish for use on computer models equipped with an infrared webcam
- N94781-001: In sky blue finish for use on computer models not equipped with an infrared webcam



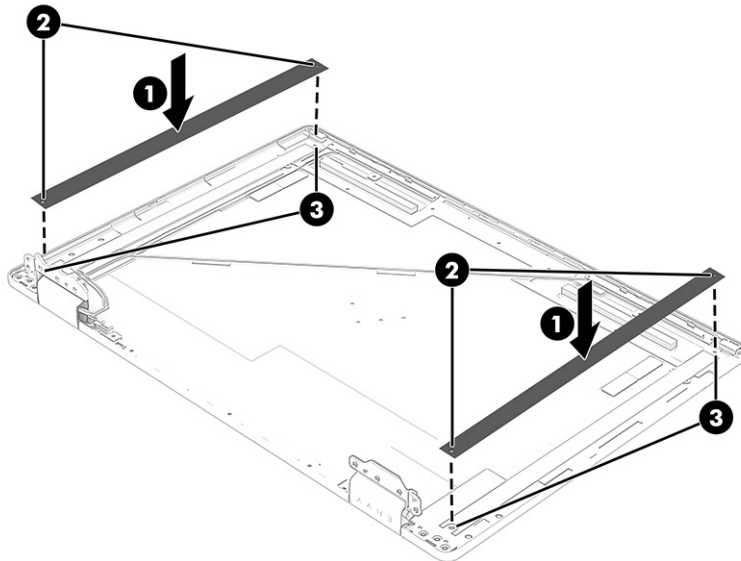
11. To remove the display panel:

- a. Remove the display bezel.
- b. Locate the display panel assembly retention tape (1) in the lower corners of the display assembly.
- c. Use a pair of tweezers to grasp the tape (2).

- d. Carefully pull the tape up **(3)** as far as it will stretch.

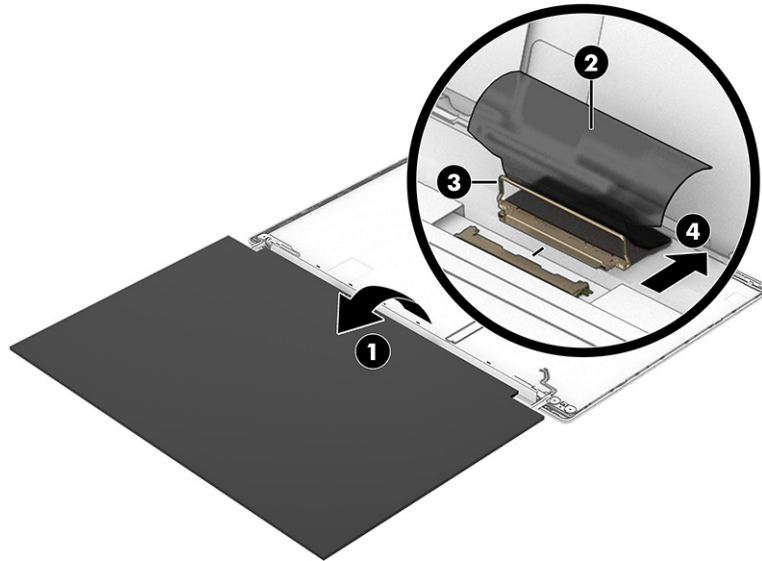


- e. When replacing the display panel assembly retention tape **(1)**, align the holes **(2)** in the tape with the alignment holes **(3)** on the display back cover.



- f. Lift the top edge of the display panel **(1)** and swing it up and forward until it rests upside down in front of the display back cover.
- g. Release the retention tape **(2)** that secures the display panel cable to the display panel.

- h. Release the retention bar **(3)** that secures the display panel cable to the display panel.
- i. Disconnect the display panel cable **(4)** from the display panel.



- j. Remove the display panel.

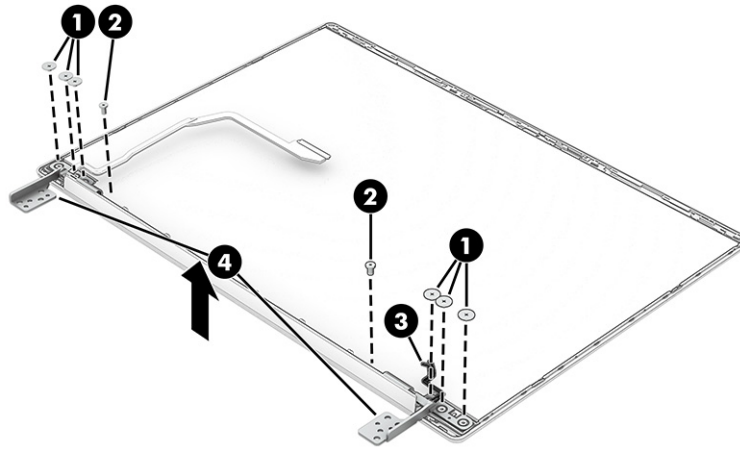
The display panel is available using the following spare part numbers:

- N94771-001: 40.6 cm (16.0 in), OLED 2K, brightview, UWVA, non-touchscreen display panel; typical brightness: 400 nits
- N94770-001: 40.6 cm (16.0 in), WUXGA (1366 × 768), antiglare, UWVA, touchscreen display panel; typical brightness: 300 nits
- N94769-001: 40.6 cm (16.0 in), WUXGA (1366 × 768), antiglare, UWVA, non-touchscreen display panel; typical brightness: 300 nits

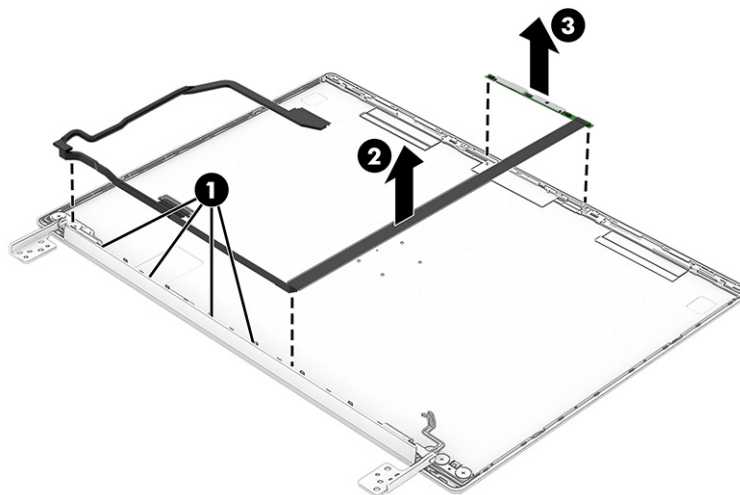
**12.** To remove the hinges:

- a. Remove the display bezel.
- b. Remove the display panel.
- c. Remove the six Phillips M2.5 × 2.8 broadhead screws **(1)** that secure the hinges to the display back cover.
- d. Remove the two Phillips M2.5 × 5.6 screws **(2)** that secure the hinges to the display back cover.
- e. Release the wireless antenna cables from the retention clip **(3)** that is built into the right hinge.
- f. Remove the hinges **(4)**.

The hinges are available using spare part number N94778-001.



13. To remove the display panel cable, webcam/microphone module, and webcam/microphone module cable:
- a. Remove the display bezel.
  - b. Remove the display panel.
  - c. Release the display panel cable from the retention clips (1) and routing channels that are built into the bottom edge of the display back cover.
  - d. Detach the webcam/microphone module cable (2) from the display back cover. The webcam/microphone module cable is attached to the display back cover with double-sided adhesive.
  - e. Detach the webcam/microphone module (3) from the display back cover. The webcam/microphone module is attached to the display back cover with double-sided adhesive.

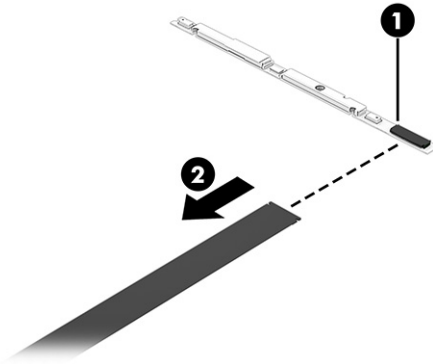


- f. Release the ZIF connector (1) the webcam/microphone module cable is connected to, and then disconnect the webcam/microphone module cable (2) from the webcam/microphone module.

The display panel cable is available using spare part numbers N94786-001 (for use on computer models equipped with a touchscreen display panel) and N94785-001 (for use on

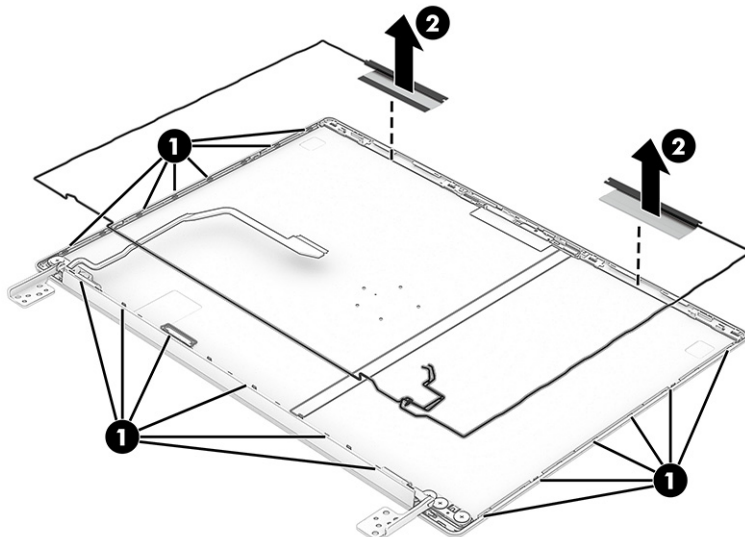
computer models not equipped with a touchscreen display panel). The display panel cable spare part kit includes the webcam/microphone module cable.

The webcam/microphone module is available using spare part numbers N94789-001 (for use on computer models equipped with an infrared webcam) and N94788-001 (for use on computer models not equipped with an infrared webcam).



**14.** To remove the wireless antenna cables and transceivers:

- a. Remove the display bezel.
- b. Remove the display panel.
- c. Release the wireless antenna cables from the retention clips (1) and routing channels that are built into the display back cover.
- d. Detach the wireless antenna transceivers (2) from the display back cover. The wireless antenna transceivers are attached to the display back cover with double-sided adhesive.



- e. Remove the wireless antenna cables and transceivers.

The wireless antennas are available using spare part number N94790-001.

To reassemble and replace the display assembly, reverse the removal procedures.

## Touchpad cable

To remove the touchpad cable, use this procedure and illustration.

**Table 5-9 Touchpad description and part number**

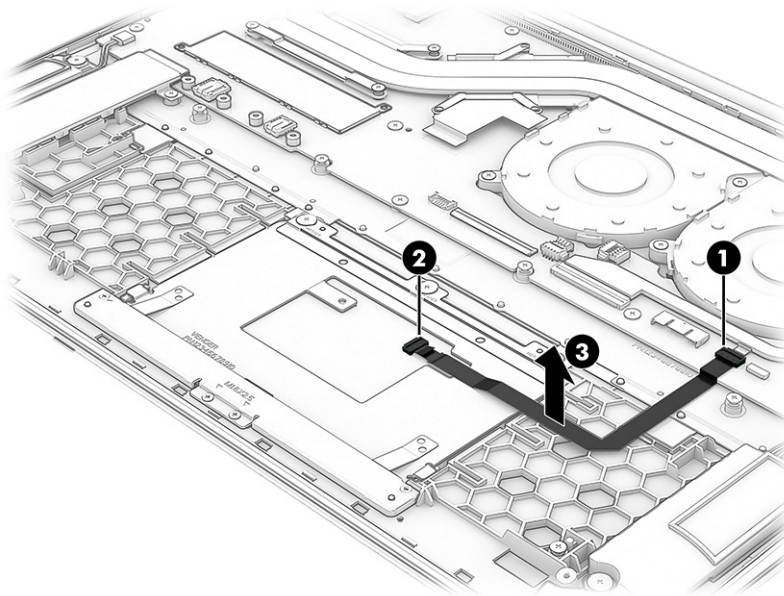
| Description                                     | Spare part number |
|---|-------------------|
| Touchpad cable (includes double-sided adhesive) | N94794-001        |

Before removing the touchpad cable, follow these steps:

1. Prepare the computer for disassembly (see [Preparation for disassembly on page 33](#)).
2. Remove the bottom cover (see [Bottom cover on page 33](#)).
3. Remove the battery (see [Battery on page 35](#)).

Remove the touchpad cable:

1. Release the ZIF connector **(1)** the touchpad cable is connected to, and then disconnect the touchpad cable from the system board.
2. Release the ZIF connector **(2)** the touchpad cable is connected to, and then disconnect the touchpad cable from the touchpad.
3. Detach the touchpad cable **(3)** from the computer. The touchpad cable is attached to the computer with double-sided adhesive.



4. Remove the touchpad cable.

To replace the touchpad cable, reverse the removal procedures.

## Touchpad

To remove the touchpad, use this procedure and illustration.

**Table 5-10 Touchpad descriptions and part numbers**

| Description              | Spare part number |
|--------------------------|-------------------|
| In natural silver finish | N94792-001        |
| In sky blue finish       | N94793-001        |

**NOTE:** The touchpad spare part kit does not include the touchpad bracket or the touchpad cable. The touchpad bracket is not available as a spare part. The touchpad cable is available using spare part number N94794-001.

Before removing the touchpad, follow these steps:

1. Prepare the computer for disassembly (see [Preparation for disassembly on page 33](#)).
2. Remove the bottom cover (see [Bottom cover on page 33](#)).
3. Remove the battery (see [Battery on page 35](#)).
4. Remove the touchpad cable (see [Touchpad cable on page 52](#)).

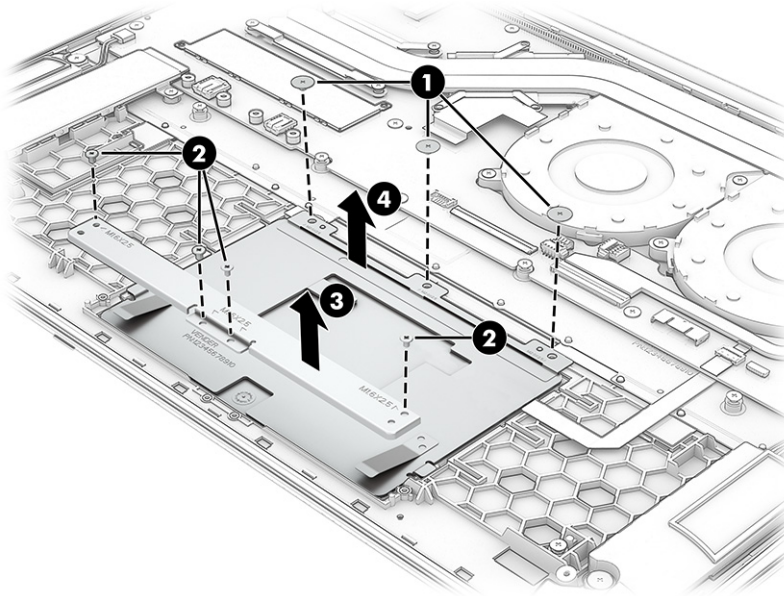
Remove the touchpad:

1. Remove the three Phillips M2.0 × 2.4 broadhead screws **(1)** that secure the touchpad to the computer.
2. Remove the four Phillips M2.0 × 2.5 screws **(2)** that secure the touchpad and bracket to the computer.
3. Remove the touchpad bracket **(3)**.



**NOTE:** The touchpad bracket is not available as a spare part.

- Remove the touchpad (4) from the computer.



To replace the touchpad and bracket, reverse the removal procedures.

## System board

To remove the system board, use these procedures and illustrations.

**Table 5-11 System board descriptions and part numbers**

| Description   | Spare part number |
|---|-------------------|
| All system board spare part kits include an integrated processor, a UMA graphics subsystem memory, and replacement thermal material.  |                   |
| Equipped with an Intel Core Ultra7 155U processor (10 cores, 12 MB L3 cache, 15W), 32 GB of system memory, an Intel MX570A graphics controller with 4 GB of discrete graphics subsystem memory, and the Windows 11 operating system | N94760-601        |
| Equipped with an Intel Core Ultra7 155U processor (10 cores, 12 MB L3 cache, 15W), 32 GB of system memory, an Intel MX570A graphics controller with 4 GB of discrete graphics subsystem memory, and a non-Windows operating system  | N94760-001        |
| Equipped with an Intel Core Ultra7 155U processor (10 cores, 12 MB L3 cache, 15W), 16 GB of system memory, an Intel graphics controller with UMA graphics subsystem memory, and the Windows 11 operating system                     | N94763-601        |
| Equipped with an Intel Core Ultra7 155U processor (10 cores, 12 MB L3 cache, 15W), 16 GB of system memory, an Intel graphics controller with UMA graphics subsystem memory, and a non-Windows operating system                      | N94763-001        |
| Equipped with an Intel Core Ultra5 125U processor (10 cores, 12 MB L3 cache, 15W), 16 GB of system memory, an Intel graphics controller with UMA graphics subsystem memory, and the Windows 11 operating system                     | N94761-601        |
| Equipped with an Intel Core Ultra5 125U processor (10 cores, 12 MB L3 cache, 15W), 16 GB of system memory, an Intel graphics controller with UMA graphics subsystem memory, and a non-Windows operating system                      | N94761-001        |
| Equipped with an Intel Core Ultra5 125U processor (10 cores, 12 MB L3 cache, 15W), 8 GB of system memory, an Intel graphics controller with UMA graphics subsystem memory, and the Windows 11 operating system                      | N94762-601        |

**Table 5-11 System board descriptions and part numbers (continued)**

| Description   | Spare part number |
|---|-------------------|
| Equipped with an Intel Core Ultra5 125U processor (10 cores, 12 MB L3 cache, 15W), 8 GB of system memory, an Intel graphics controller with UMA graphics subsystem memory, and a non-Windows operating system   | N94762-001        |
| Equipped with an Intel Core 150U processor (10 cores, 12 MB L3 cache, 15W), 32 GB of system memory, an Intel graphics controller with UMA graphics subsystem memory, and the Windows 11 operating system  | N94767-001        |
| Equipped with an Intel Core 150U processor (10 cores, 12 MB L3 cache, 15W), 32 GB of system memory, an Intel graphics controller with UMA graphics subsystem memory, and a non-Windows operating system   | N94767-001        |
| Equipped with an Intel Core 150U processor (10 cores, 12 MB L3 cache, 15W), 16 GB of system memory, an Intel graphics controller with UMA graphics subsystem memory, and the Windows 11 operating system for use only on computer models equipped with an OLED display assembly | N94766-601        |
| Equipped with an Intel Core 150U processor (10 cores, 12 MB L3 cache, 15W), 16 GB of system memory, an Intel graphics controller with UMA graphics subsystem memory, and a non-Windows operating system for use only on computer models equipped with an OLED display assembly  | N94766-001        |
| Equipped with an Intel Core 120U processor (10 cores, 12 MB L3 cache, 15W), 16 GB of system memory, an Intel graphics controller with UMA graphics subsystem memory, and the Windows 11 operating system for use only on computer models equipped with an OLED display assembly | N94764-601        |
| Equipped with an Intel Core 120U processor (10 cores, 12 MB L3 cache, 15W), 16 GB of system memory, an Intel graphics controller with UMA graphics subsystem memory, and a non-Windows operating system for use only on computer models equipped with an OLED display assembly  | N94764-001        |
| Equipped with an Intel Core 120U processor (10 cores, 12 MB L3 cache, 15W), 16 GB of system memory, an Intel graphics controller with UMA graphics subsystem memory, and the Windows 11 operating system  | N94768-601        |
| Equipped with an Intel Core 120U processor (10 cores, 12 MB L3 cache, 15W), 16 GB of system memory, an Intel graphics controller with UMA graphics subsystem memory, and a non-Windows operating system   | N94768-001        |
| Equipped with an Intel Core 120U processor (10 cores, 12 MB L3 cache, 15W), 8 GB of system memory, an Intel graphics controller with UMA graphics subsystem memory, and the Windows 11 operating system   | N94765-601        |
| Equipped with an Intel Core 120U processor (10 cores, 12 MB L3 cache, 15W), 8 GB of system memory, an Intel graphics controller with UMA graphics subsystem memory, and a non-Windows operating system  | N94765-001        |

Before removing the system board, follow these steps:

1. Prepare the computer for disassembly (see [Preparation for disassembly on page 33](#)).
2. Remove the bottom cover (see [Bottom cover on page 33](#)).
3. Remove the battery (see [Battery on page 35](#)).
4. Remove the fan (see [Fans on page 43](#)).


When you replace the system board, be sure to remove the following components (as applicable) from the defective system board and install them on the replacement system board:

- Solid-state drive (see [Solid-state drive on page 38](#)).
- WLAN module (see [WLAN module on page 39](#)).


- Heat sink (see [Heat sink on page 57](#)).

Remove the system board:

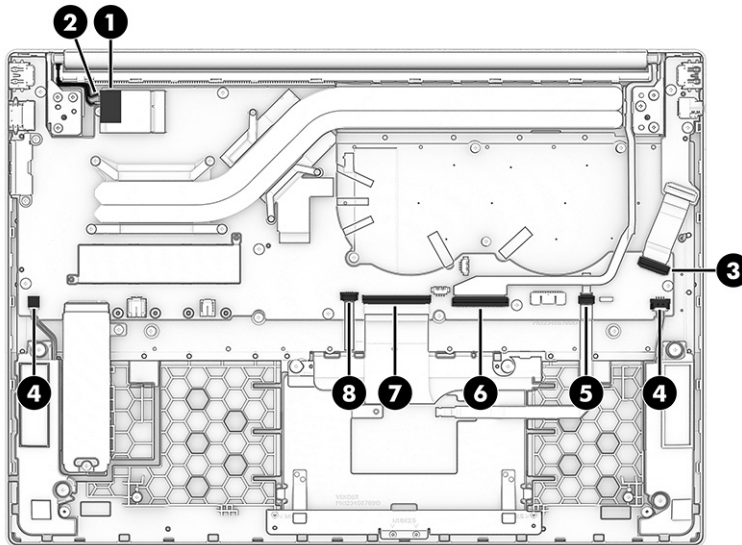
1. Remove the WLAN module plate (1) that secures the WLAN antenna cables to the WLAN module.

 **NOTE:** The WLAN module plate is available in the Miscellaneous Kit, spare part number N94803-001.

2. Carefully disconnect the two WLAN antenna cables (2) from the terminals on the WLAN module.

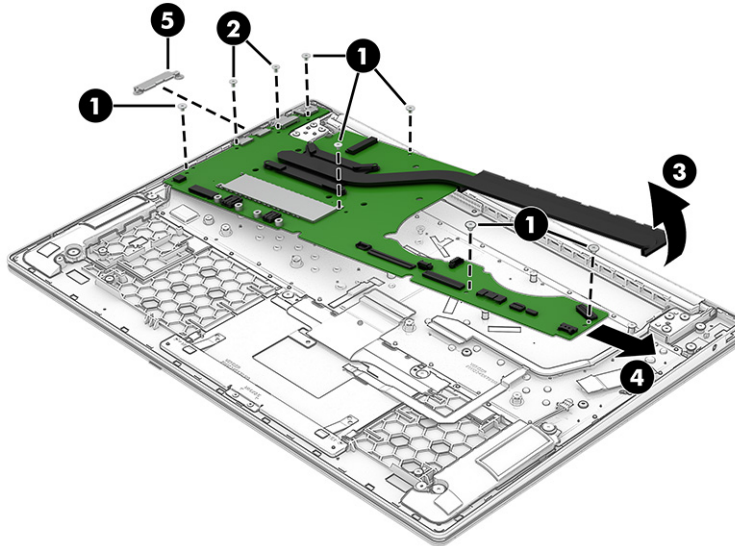
 **NOTE:** Computer models have either one or two WLAN antennas. On models with two antennas, the #1 WLAN antenna cable connects to the WLAN module #1 Main terminal. The #2 WLAN antenna cable connects to the WLAN module #2 Aux terminal.

3. Release the ZIF connector (3) the connector board cable is connected to, and then disconnect the connector board cable from the system board.
4. Disconnect the speaker cables (4) from the system board.
5. Release the ZIF connector (5) the touchpad cable is connected to, and then disconnect the touchpad cable from the system board.
6. Release the ZIF connector (6) the display panel cable is connected to, and then disconnect the display panel cable from the system board.
7. Release the ZIF connector (7) the keyboard cable is connected to, and then disconnect the keyboard cable from the system board.
8. Release the ZIF connector (8) the keyboard backlight cable is connected to, and then disconnect the keyboard backlight cable from the system board.



9. Remove the six Phillips M2.0 × 2.9 screws (1) that secure the system board to the computer.
10. Remove the two Phillips M2.0 × 3.2 screws (2) that secure the system board and the I/O bracket to the computer.

11. Lift the right side of the system board (3) until it rests at an angle.
12. Remove the system board (4) by sliding it up and to the right at an angle.
13. When removing the system board, be sure that the I/O bracket is not misplaced. The I/O bracket is not available as a spare part.



To install the system board, reverse the removal procedures.

## Heat sink

To remove the heat sink, use these procedures and illustrations.


**Table 5-12 Heat sink description and part number**

| Description                                       | Spare part number |
|---|-------------------|
| Heat sink (includes replacement thermal material) | N91044-001        |

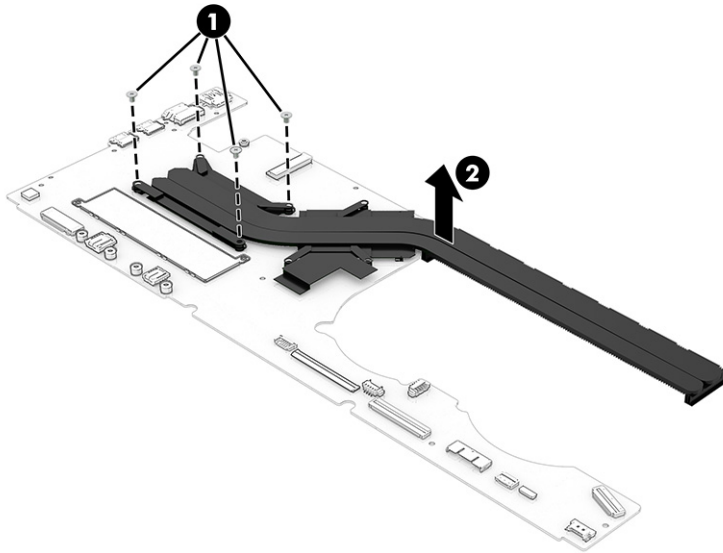
Before removing the heat sink, follow these steps:

1. Prepare the computer for disassembly (see [Preparation for disassembly on page 33](#)).
2. Remove the bottom cover (see [Bottom cover on page 33](#)).
3. Remove the battery (see [Battery on page 35](#)).
4. Remove the fan (see [Fans on page 43](#)).
5. Remove the system board (see [System board on page 54](#)).

Remove the heat sink:

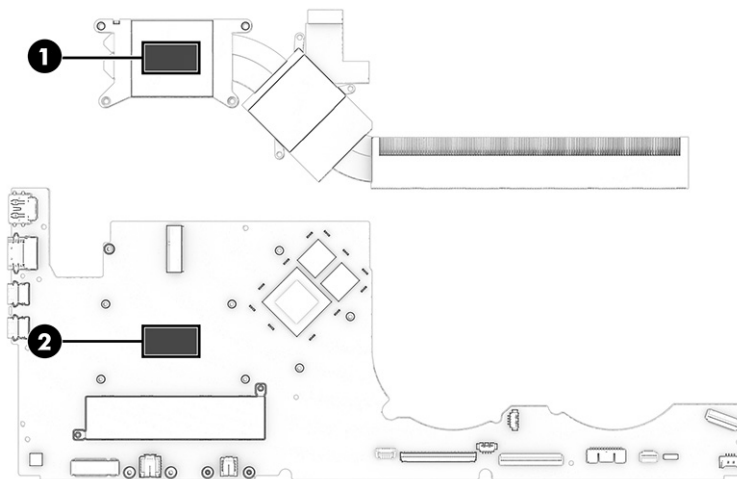
 **NOTE:** Steps 1 through 3 apply to computer models equipped with a graphics subsystem with discrete memory. See steps 4 through 4 for heat sink removal information for computer models equipped with a graphics subsystem with UMA memory.

1. In the order indicated on the heat sink, remove the four Phillips M2.0 × 3.3 screws **(1)** that secure the heat sink to the system board.
2. Remove the heat sink **(2)**.



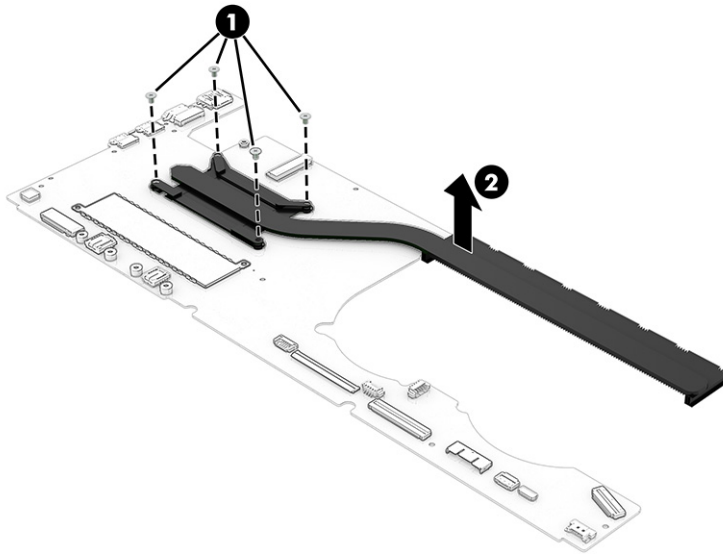
3. Thoroughly clean the thermal material from the surfaces of the heat sink and the system board components each time the heat sink is removed. Replacement thermal material is included with the heat sink and system board spare part kits. The following illustration shows the replacement thermal material locations.

Thermal paste is used on the processor **(1)** and on the heat sink area **(2)** that services the processor.



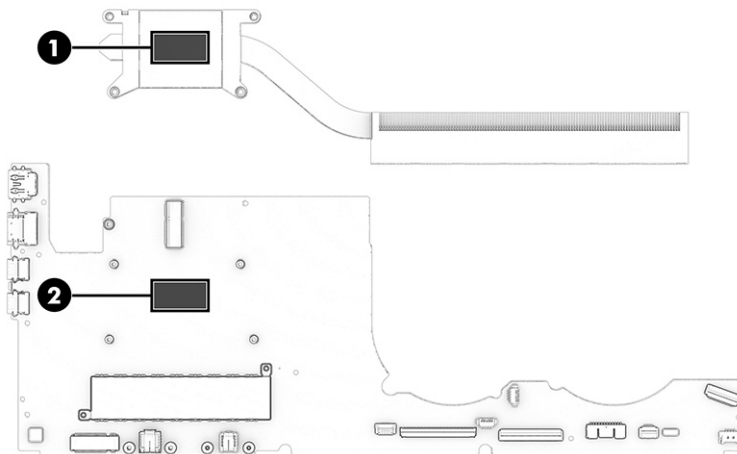
4. In the order indicated on the heat sink, remove the four Phillips M2.0 × 3.3 screws **(1)** that secure the heat sink to the system board.

5. Remove the heat sink (2).



6. Thoroughly clean the thermal material from the surfaces of the heat sink and the system board components each time the heat sink is removed. Replacement thermal material is included with the heat sink and system board spare part kits. The following illustration shows the replacement thermal material locations.

Thermal paste is used on the processor (1) and on the heat sink area (2) that services the processor.



To replace the heat sink, reverse the removal procedures.

## Top cover and keyboard

The top cover and keyboard remains after removing all other spare parts from the computer. In this section, the first table provides the main spare part number for the top covers and keyboards. The second table provides the country codes.

**Table 5-13**

| Description   | Spare part number |
|---|-------------------|
| Top cover and keyboard in natural silver finish with soft gray keys (includes keyboard cable)                           | N95995-xxx        |
| Top cover and keyboard in darker sky blue opaque finish with darker meteor silver opaque keys (includes keyboard cable) | N95996-xxx        |

**Table 5-14 Spare part country codes**


| For use in country or region    | Spare part number | For use in country or region | Spare part number | For use in country or region | Spare part number |
|---------------------------------|-------------------|------------------------------|-------------------|------------------------------|-------------------|
| Belgium                         | -A41              | Italy                        | -061              | South Korea                  | -AD1              |
| Bulgaria                        | -261              | Japan                        | -291              | Spain                        | -071              |
| The Czech Republic and Slovakia | -FL1              | Latin America                | -161              | Switzerland                  | -BG1              |
| Denmark, Finland, and Norway    | -DH1              | The Netherlands              | -B31              | Taiwan                       | -AB1              |
| France                          | -051              | Portugal                     | -131              | Thailand                     | -281              |
| French Canada                   | -DB1              | Romania                      | -271              | Turkey                       | -141              |
| Germany                         | -041              | Russia                       | -251              | Ukraine                      | -BD1              |
| Greece                          | -151              | Saudi Arabia                 | -171              | United Kingdom               | -031              |
| Hungary                         | -211              | Slovenia                     | -BA1              | United States                | -001              |
| Israel                          | -BB1              |                              |                   |                              |                   |

---

## 6 Using Setup Utility (BIOS)

Setup Utility, or Basic Input/Output System (BIOS), controls communication between all the input and output devices on the system (such as disk drives, display, keyboard, mouse, and printer). Setup Utility (BIOS) includes settings for the types of devices installed, the startup sequence of the computer, and the amount of system and extended memory.

---


 **NOTE:** To start Setup Utility on convertible computers, your computer must be in notebook mode and you must use the keyboard attached to your notebook.

---

### Starting Setup Utility (BIOS)

You have several ways to access the Setup Utility (BIOS).

---

 **IMPORTANT:** Use extreme care when making changes in Setup Utility (BIOS). Errors can prevent the computer from operating properly.

---

- Turn on or restart the computer and quickly press **f10**.

- or -

Turn on or restart the computer, quickly press **esc**, and then press **f10** when the Start menu is displayed.

### Updating Setup Utility (BIOS)

Updated versions of Setup Utility (BIOS) might be available on the HP website. Most BIOS updates on the HP website are packaged in compressed files called *SoftPaqs*. Some download packages contain a file named *Readme.txt*, which contains information regarding installing and troubleshooting the file.

### Determining the BIOS version

To decide whether you need to update Setup Utility (BIOS), first determine the BIOS version on your computer.

To reveal the BIOS version information (also known as *ROM date* and *System BIOS*), use one of these options.

- HP Support Assistant

1. Select the **Search** icon in the taskbar, type `support` in the search box, and then select the **HP Support Assistant** app.

- or -


Select the question mark icon in the taskbar.

2. Under **My notebook**, select **Specifications**.
- Setup Utility (BIOS)
    1. Start Setup Utility (BIOS) (see [Starting Setup Utility \(BIOS\) on page 61](#)).
    2. Select **Main**, and then make note of the BIOS version.
    3. Select **Exit**, select one of the options, and then follow the on-screen instructions.
  - In Windows, press **ctrl+alt+s**.


To check for later BIOS versions, see [Preparing for a BIOS update on page 62](#).

## Preparing for a BIOS update

Be sure to follow all prerequisites before downloading and installing a BIOS update.

 **IMPORTANT:** To reduce the risk of damage to the computer or an unsuccessful installation, download and install a BIOS update only when the computer is connected to reliable external power using the AC adapter. Do not download or install a BIOS update while the computer is running on battery power, docked in an optional docking device, or connected to an optional power source. During the download and installation, follow these instructions:

- Do not disconnect power from the computer by unplugging the power cord from the AC outlet.
- Do not shut down the computer or initiate Sleep.
- Do not insert, remove, connect, or disconnect any device, cable, or cord.

 **NOTE:** If your computer is connected to a network, consult the network administrator before installing any software updates, especially system BIOS updates.

## Downloading a BIOS update

After you review the prerequisites, you can check for and download BIOS updates.

1. Select the **Search** icon in the taskbar, type `support` in the search box, and then select the **HP Support Assistant** app.  
- or -  
Select the question mark icon in the taskbar.
2. Select **Updates**. The **Checking for Updates** window opens, and Windows checks for updates.
3. Follow the on-screen instructions.
4. At the download area, follow these steps:
  - a. Identify the most recent BIOS update and compare it to the BIOS version currently installed on your computer. If the update is more recent than your BIOS version, make a note of the date, name, or other identifier. You might need this information to locate the update later, after it has been downloaded to your hard drive.
  - b. Follow the on-screen instructions to download your selection to the hard drive.

Make a note of the path to the location on your hard drive where the BIOS update is downloaded. You will need to access this path when you are ready to install the update.

## Installing a BIOS update

BIOS installation procedures vary. Follow any instructions that appear on the screen after the download is complete. If no instructions appear, follow these steps.

1. Select the **Search** icon in the taskbar, type `file` in the search box, and then select **File Explorer**.
2. Select your hard drive designation. The hard drive designation is typically Local Disk (C:).
3. Using the hard drive path you recorded earlier, open the folder that contains the update.
4. Double-click the file that has an `.exe` extension (for example, `filename.exe`).

The BIOS installation begins.

5. Complete the installation by following the on-screen instructions.




**NOTE:** After a message on the screen reports a successful installation, you can delete the downloaded file from your hard drive.


---

---

# 7 Backing up, restoring, and recovering

You can use Windows tools or HP software to back up your information, create a restore point, reset your computer, create recovery media, or restore your computer to its factory state. Performing these standard procedures can return your computer to a working state faster.

 **IMPORTANT:** If you are performing recovery procedures on a tablet, the tablet battery must be at least 70% charged before you start the recovery process.

 **IMPORTANT:** For a tablet with a detachable keyboard, connect the tablet to the keyboard base before beginning any recovery process.


---

## Backing up information and creating recovery media

These methods of creating recovery media and backups are available on select products only.

### Using Windows tools for backing up

HP recommends that you back up your information immediately after initial setup. You can do this task either using Windows Backup locally with an external USB flash drive or using online tools.

 **NOTE:** If computer storage is 32 GB or less, Microsoft® System Restore is disabled by default.


---


### Using the HP Cloud Recovery Download Tool to create recovery media (select products only)

You can use the HP Cloud Recovery Download Tool to create HP Recovery media on a bootable USB flash drive.

For details:

- Go to <http://www.hp.com>, search for HP Cloud Recovery, and then select the result that matches the type of computer that you have.

 **NOTE:** If you cannot create recovery media yourself, contact support to obtain recovery discs. Go to <http://www.hp.com/support>, select your country or region, and then follow the on-screen instructions.

 **IMPORTANT:** HP recommends that you follow the [Restoring and recovery methods on page 65](#) to restore your computer before you obtain and use the HP recovery discs. Using a recent backup can return your machine to a working state sooner than using the HP recovery discs. After the system is restored, reinstalling all the operating system software released since your initial purchase can be a lengthy process.

---

# Restoring and recovering your system

You have several tools available to recover your system both within and outside of Windows if the desktop cannot load.

HP recommends that you attempt to restore your system using the [Restoring and recovery methods on page 65](#).

## Creating a system restore

System Restore is available in Windows. The System Restore software can automatically or manually create restore points, or snapshots, of the system files and settings on the computer at a particular point.

When you use System Restore, it returns your computer to its state at the time you made the restore point. Your personal files and documents should not be affected.

## Restoring and recovery methods

After you run the first method, test to see whether the issue still exists before you proceed to the next method, which might now be unnecessary.

1. Run a Microsoft System Restore.
2. Run Reset this PC.



---

**NOTE:** The options **Remove everything** and then **Fully clean the drive** can take several hours to complete and leave no information on your computer. It is the safest way to reset your computer before you recycle it.

---

3. Recover using HP Recovery media. For more information, see [Recovering using HP Recovery media on page 65](#).

For more information about the first two methods, see the Get Help app:

- Select the **Start** button, select **All apps**, select the **Get Help** app, and then enter the task you want to perform.



---

**NOTE:** You must be connected to the internet to access the Get Help app.

---

## Recovering using HP Recovery media

You can use HP Recovery media to recover the operating system and drivers that were installed at the factory. On select products, you can create recovery media on a bootable USB flash drive using the HP Cloud Recovery Download Tool.

For details, see [Using the HP Cloud Recovery Download Tool to create recovery media \(select products only\) on page 64](#).



---


**NOTE:** If you cannot create recovery media yourself, contact support to obtain recovery discs. Go to <http://www.hp.com/support>, select your country or region, and then follow the on-screen instructions.

---

To recover your system:

- Insert the HP Recovery media, and then restart the computer.


---

 **NOTE:** HP recommends that you follow the [Restoring and recovery methods on page 65](#) to restore your computer before you obtain and use the HP recovery discs. Using a recent backup can return your machine to a working state sooner than using the HP recovery discs. After the system is restored, reinstalling all the operating system software released since your initial purchase can be a lengthy process.

---

## Changing the computer boot order

If your computer does not restart using the HP Recovery media, you can change the computer boot order, which is the order of devices listed in BIOS for startup information. You can select an optical drive or a USB flash drive, depending on the location of your HP Recovery media.

 **IMPORTANT:** For a tablet with a detachable keyboard, connect the tablet to the keyboard base before beginning these steps.

---

To change the boot order:

1. Insert the HP Recovery media.
2. Access the system **Startup** menu.
  - For computers or tablets with keyboards attached, turn on or restart the computer or tablet, quickly press **esc**, and then press **f9** for boot options.
  - For tablets without keyboards, turn on or restart the tablet, quickly press and hold the volume up button, and then select **f9**.

– or –

Turn on or restart the tablet, quickly press and hold the volume down button, and then select **f9**.
3. Select the optical drive or USB flash drive from which you want to boot, and then follow the on-screen instructions.

## Using HP Sure Recover (select products only)

Select computer models are configured with HP Sure Recover, a PC operating system (OS) recovery solution built into the hardware and software. HP Sure Recover can fully restore the HP OS image without installed recovery software.

Using HP Sure Recover, an administrator or user can restore the system and install:

- Latest version of the operating system
- Platform-specific device drivers
- Software applications, in the case of a custom image

To access the latest documentation for HP Sure Recover, go to <http://www.hp.com/support>. Follow the on-screen instructions to find your product and locate your documentation.

---

# 8 Using HP PC Hardware Diagnostics

You can use the HP PC Hardware Diagnostics utility to determine whether your computer hardware is running properly. The three versions are HP PC Hardware Diagnostics Windows, HP PC Hardware Diagnostics UEFI (Unified Extensible Firmware Interface), and (for select products only) Remote HP PC Hardware Diagnostics UEFI, a firmware feature.

## Using HP PC Hardware Diagnostics Windows (select products only)

HP PC Hardware Diagnostics Windows is a Windows-based utility that allows you to run diagnostic tests to determine whether the computer hardware is functioning properly. The tool runs within the Windows operating system to diagnose hardware failures.

If HP PC Hardware Diagnostics Windows is not installed on your computer, you must download and install it. To download HP PC Hardware Diagnostics Windows, see [Downloading HP PC Hardware Diagnostics Windows on page 68](#).

## Using an HP PC Hardware Diagnostics Windows hardware failure ID code

When HP PC Hardware Diagnostics Windows detects a failure that requires hardware replacement, a 24-digit failure ID code is generated for select component tests. For interactive tests, such as keyboard, mouse, or audio and video palette, you must perform troubleshooting steps before you can receive a failure ID.

- You have several options after you receive a failure ID:
  - Select **Next** to open the Event Automation Service (EAS) page, where you can log the case.
  - Scan the QR code with your mobile device, which takes you to the EAS page, where you can log the case.
  - Select the box next to the 24-digit failure ID to copy your failure code and send it to support.

## Accessing HP PC Hardware Diagnostics Windows

After HP PC Hardware Diagnostics Windows is installed, you can access it from HP Support Assistant or the Start menu.

### Accessing HP PC Hardware Diagnostics Windows from HP Support Assistant

After HP PC Hardware Diagnostics Windows is installed, follow these steps to access it from HP Support Assistant:

1. Complete one of the following tasks:
  - Select the **Search** icon in the taskbar, type `support` in the search box, and then select the **HP Support Assistant** app.
  - Select the question mark icon in the taskbar.
2. Select **Fixes & Diagnostics**.
3. Select **Run hardware diagnostics**, and then select **Launch**.
4. When the tool opens, select the type of diagnostic test that you want to run, and then follow the on-screen instructions.

---

 **NOTE:** To stop a diagnostic test, select **Cancel**.


---

## Accessing HP PC Hardware Diagnostics Windows from the Start menu (select products only)

After HP PC Hardware Diagnostics Windows is installed, follow these steps to access it from the Start menu:

1. Select the **Start** button, and then select **All apps**.
2. Select **HP PC Hardware Diagnostics Windows**.
3. When the tool opens, select the type of diagnostic test that you want to run, and then follow the on-screen instructions.

---

 **NOTE:** To stop a diagnostic test, select **Cancel**.

---

## Downloading HP PC Hardware Diagnostics Windows

The HP PC Hardware Diagnostics Windows downloading instructions are provided in English only. You must use a Windows computer to download this tool because only .exe files are provided.

### Downloading the latest HP PC Hardware Diagnostics Windows version from HP

To download HP PC Hardware Diagnostics Windows from HP, follow these steps:

1. Go to <http://www.hp.com/go/techcenter/pcdiags>. The HP PC Diagnostics home page is displayed.
2. Select **Download HP Diagnostics Windows**, and then select the specific Windows diagnostics version to download to your computer or a USB flash drive.

The tool downloads to the selected location.

### Downloading the HP PC Hardware Diagnostics Windows from the Microsoft Store


You can download the HP PC Hardware Diagnostics Windows from the Microsoft Store:

1. Select the Microsoft Store app on your desktop or select the **Search** icon in the taskbar, and then type `Microsoft Store` in the search box.
2. Type `HP PC Hardware Diagnostics Windows` in the **Microsoft Store** search box.
3. Follow the on-screen directions.

The tool downloads to the selected location.

## Downloading HP Hardware Diagnostics Windows by product name or number (select products only)

You can download HP PC Hardware Diagnostics Windows by product name or number.

 **NOTE:** For some products, you might have to download the software to a USB flash drive by using the product name or number.

1. Go to <http://www.hp.com/support>.
2. Select **Software and Drivers**, select your type of product, and then enter the product name or number in the search box that is displayed.
3. In the **Diagnostics** section, select **Download**, and then follow the on-screen instructions to select the specific Windows diagnostics version to be downloaded to your computer or USB flash drive.


The tool downloads to the selected location.

## Installing HP PC Hardware Diagnostics Windows

To install HP PC Hardware Diagnostics Windows, navigate to the folder on your computer or the USB flash drive where the .exe file downloaded, double-click the .exe file, and then follow the on-screen instructions.

## Using HP PC Hardware Diagnostics UEFI

HP PC Hardware Diagnostics Unified Extensible Firmware Interface (UEFI) allows you to run diagnostic tests to determine whether the computer hardware is functioning properly. The tool runs outside the operating system so that it can isolate hardware failures from issues that are caused by the operating system or other software components.

 **NOTE:** For some products, you must use a Windows computer and a USB flash drive to download and create the HP UEFI support environment because only .exe files are provided. For more information, see [Downloading HP PC Hardware Diagnostics UEFI to a USB flash drive on page 70](#).

If your PC does not start in Windows, you can use HP PC Hardware Diagnostics UEFI to diagnose hardware issues.

## Using an HP PC Hardware Diagnostics UEFI hardware failure ID code

When HP PC Hardware Diagnostics UEFI detects a failure that requires hardware replacement, a 24-digit failure ID code is generated.

For assistance in solving the problem, complete one of these tasks:

- Select **Contact HP**, accept the HP privacy disclaimer, and then use a mobile device to scan the failure ID code that appears on the next screen. The HP Customer Support - Service Center page appears with your failure ID and product number automatically filled in. Follow the on-screen instructions.
- Contact support, and provide the failure ID code.

## Starting HP PC Hardware Diagnostics UEFI

To start HP PC Hardware Diagnostics UEFI, follow this procedure.

1. Turn on or restart the computer, and quickly press **esc**.
2. Press **f2**.

The BIOS searches three places for the diagnostic tools, in the following order:

- a. Connected USB flash drive



---

**NOTE:** To download the HP PC Hardware Diagnostics UEFI tool to a USB flash drive, see [Downloading the latest HP PC Hardware Diagnostics UEFI version on page 71](#).

---

- b. Hard drive

- c. BIOS

3. When the diagnostic tool opens, select the type of diagnostic test that you want to run, and then follow the on-screen instructions.

## Starting HP PC Hardware Diagnostics UEFI through HP Hotkey Support software (select products only)

This section describes how to start HP PC Hardware Diagnostics UEFI through HP Hotkey Support software.



---

**NOTE:** You must disable fast boot to access HP PC Hardware Diagnostics UEFI from the HP System Information application.

To disable fast boot:

1. Turn on or restart the computer, and when the HP logo appears, press **f10** to enter Computer Setup.
2. Select **Advanced**, and then select **Boot Options**.
3. Clear **Fast Boot**.
4. Select **Save Changes and Exit**, and then select **Yes**.

---

To start HP PC Hardware Diagnostics UEFI through HP Hotkey Support software, follow this procedure.:

1. From the **Start** menu, open the HP System Information Application or press **fn+esc**.
2. In HP System Information screen, select **Run System Diagnostics**, select **Yes** to run the application, and then select **Restart**.



---

**IMPORTANT:** To prevent loss of data, save your work in all open apps before restarting your computer.



---

**NOTE:** When the restart is complete, the computer opens the HP PC Hardware Diagnostics UEFI Application. Proceed with the troubleshooting tests.

---

## Downloading HP PC Hardware Diagnostics UEFI to a USB flash drive

Downloading HP PC Hardware Diagnostics UEFI to a USB flash drive can be useful in some situations.

- HP PC Hardware Diagnostics UEFI is not included in the preinstallation image.
- HP PC Hardware Diagnostics UEFI is not included in the HP Tool partition.

- The hard drive is damaged.



---

**NOTE:** The HP PC Hardware Diagnostics UEFI downloading instructions are provided in English only, and you must use a Windows computer to download and create the HP UEFI support environment because only .exe files are provided.

---

## Downloading the latest HP PC Hardware Diagnostics UEFI version

To download the latest HP PC Hardware Diagnostics UEFI version to a USB flash drive, follow this procedure:

1. Go to <http://www.hp.com/go/techcenter/pcdiags>. The HP PC Diagnostics home page is displayed.
2. Select **Download HP Diagnostics UEFI**, and then select **Run**.

## Downloading HP PC Hardware Diagnostics UEFI by product name or number (select products only)

You can download HP PC Hardware Diagnostics UEFI by product name or number (select products only) to a USB flash drive.



---

**NOTE:** For some products, you might have to download the software to a USB flash drive by using the product name or number.

---

1. Go to <http://www.hp.com/support>.
2. Enter the product name or number, select your computer, and then select your operating system.
3. In the **Diagnostics** section, follow the on-screen instructions to select and download the specific UEFI Diagnostics version for your computer.

## Using Remote HP PC Hardware Diagnostics UEFI settings (select products only)

Remote HP PC Hardware Diagnostics UEFI is a firmware (BIOS) feature that downloads HP PC Hardware Diagnostics UEFI to your computer. It can then run the diagnostics on your computer, and it might upload results to a preconfigured server.

For more information about Remote HP PC Hardware Diagnostics UEFI, go to <http://www.hp.com/go/techcenter/pcdiags>, and then select **Find out more**.

## Downloading Remote HP PC Hardware Diagnostics UEFI

Remote HP PC Hardware Diagnostics UEFI is also available as a SoftPaq that you can download to a server.

## Downloading the latest Remote HP PC Hardware Diagnostics UEFI version

You can download the latest Remote HP PC Hardware Diagnostics UEFI version to a USB flash drive.

1. Go to <http://www.hp.com/go/techcenter/pcdiags>. The HP PC Diagnostics home page is displayed.
2. Select **Download Remote Diagnostics**, and then select **Run**.

## Downloading Remote HP PC Hardware Diagnostics UEFI by product name or number

You can download Remote HP PC Hardware Diagnostics UEFI by product name or number.



**NOTE:** For some products, you might have to download the software by using the product name or number.

1. Go to <http://www.hp.com/support>.
2. Select **Software and Drivers**, select your type of product, enter the product name or number in the search box that is displayed, select your computer, and then select your operating system.
3. In the **Diagnostics** section, follow the on-screen instructions to select and download the **Remote UEFI** version for the product.

## Customizing Remote HP PC Hardware Diagnostics UEFI settings

Using the Remote HP PC Hardware Diagnostics setting in Computer Setup (BIOS), you can perform several customizations.

- Set a schedule for running diagnostics unattended. You can also start diagnostics immediately in interactive mode by selecting **Execute Remote HP PC Hardware Diagnostics UEFI**.
- Set the location for downloading the diagnostic tools. This feature provides access to the tools from the HP website or from a server that has been preconfigured for use. Your computer does not require the traditional local storage, such as a hard drive or USB flash drive, to run remote diagnostics.
- Set a location for storing the test results. You can also set the user name and password that you use for uploads.
- Display status information about the diagnostics run previously.

To customize Remote HP PC Hardware Diagnostics UEFI settings, follow these steps:

1. Turn on or restart the computer, and when the HP logo appears, press **f10** to enter Computer Setup.
2. Select **Advanced**, and then select **Settings**.
3. Make your customization selections.
4. Select **Main**, then select **Save Changes and Exit** to save your settings.

Your changes take effect when the computer restarts.

# 9 Specifications

This chapter provides specifications for your computer system.

## Computer specifications

This section provides specifications for your computer. When you travel with your computer, the computer dimensions and weights, as well as input power ratings and operating specifications, provide helpful information.

**Table 9-1** Computer specifications

|  | Metric                     | U.S.                |
|--|----------------------------|---------------------|
| <b>Dimensions</b>                        |                            |                     |
| Width                                    | 357.7 mm                   | 14.1 in             |
| Depth                                    | 254.9 mm                   | 10.0 in             |
| Height (front to back)                   | 17.9 to 18.6 mm            | 0.71 to 0.73 in     |
| <b>Weight</b>                            |                            |                     |
|  | 1799 kg                    | 3.97 lb             |
| <b>Input power</b>                       |                            |                     |
| Operating voltage and current            | 19.5 V DC @ 2.31 A - 45 W  |                     |
|  | 19.5 V DC @ 3.33 A - 65 W  |                     |
|  | 19.5 V DC @ 4.62 A - 90 W  |                     |
|  | 19.5 V DC @ 7.70 A - 150 W |                     |
|  | 19.5 V DC @ 10.3 A - 200 W |                     |
| <b>Temperature</b>                       |                            |                     |
| Operating                                | 5°C to 35°C                | 41°F to 95°F        |
| Nonoperating                             | -20°C to 60°C              | -4°F to 140°F       |
| <b>Relative humidity</b> (noncondensing) |                            |                     |
| Operating                                | 10% to 90%                 |                     |
| Nonoperating                             | 5% to 95%                  |                     |
| <b>Maximum altitude</b> (unpressurized)  |                            |                     |
| Operating                                | -15 m to 3,048 m           | -50 ft to 10,000 ft |

**Table 9-1 Computer specifications (continued)**

|              | Metric            | U.S.                |
|--------------|-------------------|---------------------|
| Nonoperating | -15 m to 12,192 m | -50 ft to 40,000 ft |



**NOTE:** Applicable product safety standards specify thermal limits for plastic surfaces. The device operates well within this range of temperatures.

## Display specifications

This section provides specifications for your display.

**Table 9-2 Display specifications**

|                         | Metric   | U.S.    |
|-------------------------|--|---------|
| Active diagonal size    | <b>40.6 cm</b>                                   | 16.0 in |
| Resolution              | 2048 × 1280<br>1920 × 1200                       |         |
| Surface treatment       | Antiglare (LED panel)<br>Brightview (OLED panel) |         |
| Brightness              | 400 nits<br>300 nits                             |         |
| Viewing angle           | UWVA   |         |
| Backlight               | LED<br>OLED                                      |         |
| Display panel interface | eDP 1.4 + PSR 2<br>eDP 1.2 without PSR           |         |

## Solid-state drive specifications


This section provides specifications for your solid-state drives.

**Table 9-3 Solid-state drive specifications**

|                       | 256 GB* | 512 GB* | 1TB*    |
|-----------------------|---------|---------|---------|
| <b>Dimensions</b>     |         |         |         |
| Height                | 1.0 mm  | 1.0 mm  | 1.0 mm  |
| Length                | 50.8 mm | 50.8 mm | 50.8 mm |
| Width                 | 28.9 mm | 28.9 mm | 28.9 mm |
| Weight                | < 10 g  | < 10 g  | < 10 g  |
| <b>Interface type</b> | PCIe    | PCIe    | PCIe    |

**Table 9-3 Solid-state drive specifications (continued)**

|                                   | <b>256 GB*</b>                     | <b>512 GB*</b>                     | <b>1 TB*</b>                       |
|-----------------------------------|------------------------------------|------------------------------------|------------------------------------|
| Ready time, maximum (to not busy) | 1.0 ms                             | < 1.0 ms                           | 1.0 ms                             |
| Access times, logical             | 0.1 ms                             | 0.1 ms                             | 0.1 ms                             |
| <b>Transfer rate</b>              |                                    |                                    |                                    |
| Sequential read                   | up to 2150 MBps                    | up to 2150 MBps                    | up to 2150 MBps                    |
| Random read                       | Up to 300,000 IOPs                 | Up to 300,000 IOPs                 | Up to 300,000 IOPs                 |
| Sequential write                  | up to 1550 MBps                    | up to 1550 MBps                    | up to 1550 MBps                    |
| Random write                      | Up to 100,000 IOPs                 | Up to 100,000 IOPs                 | Up to 100,000 IOPs                 |
| <b>Total logical sectors</b>      | 468,883,296                        | 1,000,215,216                      | 1,500,336,388                      |
| <b>Operating temperature</b>      | <b>0°C to 70°C</b> (32°F to 158°F) | <b>0°C to 70°C</b> (32°F to 158°F) | <b>0°C to 70°C</b> (32°F to 158°F) |

 **NOTE:** \*1 GB = 1 billion bytes when referring to hard drive storage capacity. Actual accessible capacity is less. Actual drive specifications might differ slightly.

Certain restrictions and exclusions apply. Contact support for details.

---

# 10 Statement of memory volatility

For general information regarding nonvolatile memory in HP business computers, and to restore nonvolatile memory that can contain personal data after the system has been turned off and the hard drive has been removed, use these instructions.

HP business computer products that use Intel®-based or AMD®-based system boards contain volatile DDR memory. The amount of nonvolatile memory present in the system depends upon the system configuration. Intel-based and AMD-based system boards contain nonvolatile memory subcomponents as originally shipped from HP, with the following assumptions:

- No subsequent modifications were made to the system.
- No applications, features, or functionality were added to or installed on the system.

Following system shutdown and removal of all power sources from an HP business computer system, personal data can remain on volatile system memory (DIMMs) for a finite period of time and also remains in nonvolatile memory. Use the following steps to remove personal data from the computer, including the nonvolatile memory found in Intel-based and AMD-based system boards.



**NOTE:** If your tablet has a keyboard base, connect to the keyboard base before beginning steps in this chapter.

---

## Current BIOS steps

Use these instructions to restore nonvolatile memory.

1. Follow these steps to restore the nonvolatile memory that can contain personal data. Restoring or reprogramming nonvolatile memory that does not store personal data is neither necessary nor recommended.
  - a. Turn on or restart the computer, and then quickly press **esc**.



**NOTE:** If the system has a BIOS administrator password, type the password at the prompt.

---

- b. Select **Main**, select **Apply Factory Defaults and Exit**, and then select **Yes** to load defaults. The computer restarts.
- c. During the restart, press **esc** while the "Press the ESC key for Startup Menu" message is displayed at the bottom of the screen.



**NOTE:** If the system has a BIOS administrator password, type the password at the prompt.

---

- d. Select the **Security** menu, select **Restore Security Settings to Factory Defaults**, and then select **Yes** to restore security level defaults. The computer restarts.
- e. During the restart, press **esc** while the "Press the ESC key for Startup Menu" message is displayed at the bottom of the screen.



---

**NOTE:** If the system has a BIOS administrator password, type the password at the prompt.

---

- f. If an asset or ownership tag is set, select the **Security** menu and scroll down to the **Utilities** menu. Select **System IDs**, and then select **Asset Tracking Number**. Clear the tag, and then make the selection to return to the prior menu.
- g. If a DriveLock password is set, select the **Security** menu, and scroll down to **Hard Drive Utilities** under the **Utilities** menu. Select **Hard Drive Utilities**, select **DriveLock**, and then clear the check box for **DriveLock password on restart**. Select **OK** to proceed.
- h. Select the **Main** menu, and then select **Reset BIOS Security to factory default**. Select **Yes** at the warning message. The computer restarts.
- i. During the restart, press **esc** while the "Press the ESC key for Startup Menu" message is displayed at the bottom of the screen.



---

**NOTE:** If the system has a BIOS administrator password, type the password at the prompt.

---

- j. Select the **Main** menu, select **Apply Factory Defaults and Exit**, select **Yes** to save changes and exit, and then select **Shutdown**.
  - k. Restart the system. If the system has a Trusted Platform Module (TPM), fingerprint reader, or both, one or two prompts will appear—one to clear the TPM and the other to Reset Fingerprint Sensor. Press or tap **f1** to accept or **f2** to reject.
  - l. Remove all power and system batteries for at least 24 hours.
2. Complete one of the following:
- Remove and retain the storage drive.  
- or -
  - Clear the drive contents by using a third-party utility designed to erase data from an SSD.  
- or -
  - Clear the contents of the drive by using the following BIOS Setup Secure Erase command option steps:



---


**NOTE:** If you clear data using Secure Erase, you cannot recover it.

---

- a. Turn on or restart the computer, and then quickly press **esc**.
- b. Select the **Security** menu and scroll down to the **esc** menu.
- c. Select **Hard Drive Utilities**.
- d. Under **Utilities**, select **Secure Erase**, select the hard drive storing the data you want to clear, and then follow the on-screen instructions to continue.  
  
- or -

Clear the contents of the drive using the following Disk Sanitizer commands steps:

- i. Turn on or restart the computer, and then quickly press **esc**.
- ii. Select the **Security** menu and scroll down to the **Utilities** menu.
- iii. Select **Hard Drive Utilities**.
- iv. Under **Utilities**, select **Disk Sanitizer**, select the hard drive with the data that you want to clear, and then follow the on-screen instructions to continue.

 **NOTE:** The amount of time it takes for Disk Sanitizer to run can take several hours. Plug the computer into an AC outlet before starting.

## Nonvolatile memory usage

Use this table to troubleshoot nonvolatile memory usage.

**Table 10-1 Troubleshooting steps for nonvolatile memory usage**

| Description  | Volatility description  | Storage user data | How to erase  |
|--|---|-------------------|---|
| Primary storage device, holds the OS, applications, and application settings | Non-volatile, 8-256 GB of eMMC or NVMe SSD storage, removable           | Yes <sup>1</sup>  | Follow instructions below under “Erase the Primary Storage Device”  |
| System memory (RAM), holds transient data during system operation            | Volatile, SODIMM socket. Removable (4 GB/8 GB/16 GB)                    | Yes               | Unplug unit from power  |
| Permanent system BIOS settings   | Non-volatile; 16 KB; stored   | No <sup>2</sup>   | Follow instructions below under “Clearing BIOS Settings”  |
| System boot ROM (BIOS)   | Non-volatile memory, 128 Mbit (16 MB) socketed, removable               | No                | Download the latest BIOS for your model from the HP website and follow the instructions to flash the BIOS that are on the website |
| RTC (CMOS) RAM   | Volatile memory, 256 bytes located in AMD embedded System on Chip (SoC) | No                | Unplug unit from main power, remove top cover and press <b>Clear CMOS</b> button  |
| Keyboard/mouse (ROM)   | Non-volatile, 2 KB embedded in the super I/O controller (SIO2)          | Yes               | N/A   |
| Keyboard/mouse (RAM)   | Volatile, 256 bytes embedded in the super I/O controller (SIO2)         | No                | Unplug unit from main power   |
| LOM EEPROM   | Non-volatile, 2 MB embedded in LAN controller                           | No                | N/A   |
| Trusted Platform Module (TPM)  | Non-volatile; 51 KB ROM for firmware and 38 KB system parametric data   | No <sup>3</sup>   | Follow instructions below under “Clearing TPM”  |

<sup>1</sup> Under typical operation, the only user data stored on the primary storage device are preferences for device configuration and settings for connections. However, the administrator can configure the system to allow users to store data locally.


<sup>2</sup> Only user data potentially stored in BIOS Settings are the ownership and asset tags, administrator password, and startup password.

<sup>3</sup> The Trusted Platform Module may contain encrypted passwords or certificates generated from user or administrator input.

## Questions and answers

Use this section to answer your questions about nonvolatile memory.

### 1. How can the BIOS settings be restored (returned to factory settings)?

 **IMPORTANT:** The restore defaults feature does not securely erase any information on your hard drive. See question and answer 6 for steps to securely erase information.

The restore defaults feature does not reset the Custom Secure Boot keys. See question and answer 7 for information about resetting the keys.

- a. Turn on or restart the computer, and then quickly press **esc**.
- b. Select **Main**, and then select **Apply Factory Defaults and Exit**.
- c. Follow the on-screen instructions.
- d. Select **Main**, select **Save Changes and Exit**, and then follow the on-screen instructions.

### 2. What is a UEFI BIOS, and how is it different from a legacy BIOS?

The Unified Extensible Firmware Interface (UEFI) BIOS is an industry-standard software interface between the platform firmware and an operating system (OS). It replaces the older BIOS architecture but supports much of the legacy BIOS functionality.

Like the legacy BIOS, the UEFI BIOS provides an interface to display the system information and configuration settings and to change the configuration of your computer before an OS is loaded. BIOS provides a secure runtime environment that supports a Graphic User Interface (GUI). In this environment, you can use either a pointing device (touch screen, touchpad, pointing stick, or USB mouse) or the keyboard to navigate and make menu and configuration selections. The UEFI BIOS also contains basic system diagnostics.

The UEFI BIOS provides functionality beyond that of the legacy BIOS. In addition, the UEFI BIOS works to initialize the computer's hardware before loading and executing the OS; the runtime environment allows the loading and execution of software programs from storage devices to provide more functionality, such as advanced hardware diagnostics (with the ability to display more detailed system information) and advanced firmware management and recovery software.

HP has provided options in Computer Setup (BIOS) to allow you to run in legacy BIOS, if required by the operating system. Examples of this requirement would be if you upgrade or downgrade the OS.

### 3. Where is the UEFI BIOS located?

The UEFI BIOS is located on a flash memory chip. You must use a utility to write to the chip.

### 4. What kind of configuration data is stored on the DIMM Serial Presence Detect (SPD) memory module? How would this data be written?


The DIMM SPD memory contains information about the memory module, such as size, serial number, data width, speed and timing, voltage, and thermal information. This information is written by the module manufacturer and stored on an EEPROM. You cannot write to this EEPROM when the memory module is installed in a computer. Third-party tools do exist that can write to the EEPROM when the memory module is not installed in a computer. Various third-party tools are available to read SPD memory.

**5. What is meant by “Restore the nonvolatile memory found in Intel-based system boards”?**

This message relates to clearing the Real Time Clock (RTC) CMOS memory that contains computer configuration data.

**6. How can the BIOS security be reset to factory defaults and erase the data?**

---

 **IMPORTANT:** Resetting results in the loss of information.

These steps do not reset Custom Secure Boot Keys. See question and answer 7 for information about resetting the keys.

---

- a. Turn on or restart the computer, and then quickly press **esc**.
- b. Select **Main**, and then select **Reset Security to Factory Defaults**.
- c. Follow the on-screen instructions.
- d. Select **Main**, select **Save Changes and Exit**, and then follow the on-screen instructions.

**7. How can the Custom Secure Boot Keys be reset?**

Secure Boot is a feature to ensure that only authenticated code can start on a platform. If you enabled Secure Boot and created Custom Secure Boot Keys, disabling Secure Boot does not clear the keys. You must also select to clear the Custom Secure Boot Keys. Use the same Secure Boot access procedure that you used to create the Custom Secure Boot Keys, but select to clear or delete all Secure Boot Keys.

- a. Turn on or restart the computer, and then quickly press **esc**.
- b. Select the **Security** menu, select **Secure Boot Configuration**, and then follow the on-screen instructions.
- c. At the **Secure Boot Configuration** window, select **Secure Boot**, select **Clear Secure Boot Keys**, and then follow the on-screen instructions to continue.

## Using HP Sure Start (select products only)

Select computer models are configured with HP Sure Start, a technology that continuously monitors your computer's BIOS for attacks or corruption.

If the BIOS becomes corrupted or is attacked, HP Sure Start restores the BIOS to its previously safe state, without user intervention. Those select computer models ship with HP Sure Start configured and enabled. HP Sure Start is configured and already enabled so that most users can use the HP Sure Start default configuration. Advanced users can customize the default configuration.

To access the latest documentation on HP Sure Start, go to <http://www.hp.com/support>.

# 11 Power cord set requirements

This chapter provides power cord requirements for countries and regions.

The wide-range input feature of the computer permits it to operate from any line voltage from 100 V AC to 120 V AC, or from 220 V AC to 240 V AC.

The three-conductor power cord set included with the computer meets the requirements for use in the country or region where the equipment is purchased.

Power cord sets for use in other countries or regions must meet the requirements of the country and region where the computer is used.

## Requirements for all countries

These power cord requirements are applicable to all countries and regions.

- The length of the power cord set must be at least **1.0 m** (3.3 ft) and no more than **2.0 m** (6.5 ft).
- All power cord sets must be approved by an acceptable accredited agency responsible for evaluation in the country or region where the power cord set will be used.
- The power cord sets must have a minimum current capacity of 10 A and a nominal voltage rating of 125 V AC or 250 V AC, as required by the power system of each country or region.
- The appliance coupler must meet the mechanical configuration of an EN 60 320/IEC 320 Standard Sheet C13 connector for mating with the appliance inlet on the back of the computer.

## Requirements for specific countries and regions

To determine power cord requirements for specific countries and regions, use this table.

**Table 11-1** Power cord requirements for specific countries and regions

| Country/region | Accredited agency | Applicable note number |
|----------------|-------------------|------------------------|
| Argentina      | IRAM              | 1                      |
| Australia      | SAA               | 1                      |
| Austria        | OVE               | 1                      |
| Belgium        | CEBEC             | 1                      |
| Brazil         | ABNT              | 1                      |
| Canada         | CSA               | 2                      |

**Table 11-1 Power cord requirements for specific countries and regions (continued)**

| Country/region             | Accredited agency | Applicable note number |
|----------------------------|-------------------|------------------------|
| Chile                      | IMQ               | 1                      |
| Denmark                    | DEMKO             | 1                      |
| Finland                    | FIMKO             | 1                      |
| France                     | UTE               | 1                      |
| Germany                    | VDE               | 1                      |
| India                      | BIS               | 1                      |
| Israel                     | SII               | 1                      |
| Italy                      | IMQ               | 1                      |
| Japan                      | JIS               | 3                      |
| Netherlands                | KEMA              | 1                      |
| New Zealand                | SANZ              | 1                      |
| Norway                     | NEMKO             | 1                      |
| People's Republic of China | CCC               | 4                      |
| Saudi Arabia               | SASO              | 7                      |
| Singapore                  | PSB               | 1                      |
| South Africa               | SABS              | 1                      |
| South Korea                | KTL               | 5                      |
| Sweden                     | SEMKO             | 1                      |
| Switzerland                | SEV               | 1                      |
| Taiwan                     | BSMI              | 6                      |
| Thailand                   | TISI              | 1                      |
| United Kingdom             | ASTA              | 1                      |
| United States              | UL                | 2                      |

1. The flexible cord must be Type HO5VV-F, three-conductor, 0.75 mm<sup>2</sup> conductor size. Power cord set fittings (appliance coupler and wall plug) must bear the certification mark of the agency responsible for evaluation in the country or region where it will be used.
2. The flexible cord must be Type SVT/SJT or equivalent, No. 18 AWG, three-conductor. The wall plug must be a two-pole grounding type with a NEMA 5-15P (15 A, 125 V AC) or NEMA 6-15P (15 A, 250 V AC) configuration. CSA or C-UL mark. UL file number must be on each element.
3. The appliance coupler, flexible cord, and wall plug must bear a T mark and registration number in accordance with the Japanese Dentori Law. The flexible cord must be Type VCTF, three-conductor, 0.75 mm<sup>2</sup> or 1.25 mm<sup>2</sup> conductor size. The wall plug must be a two-pole grounding type with a Japanese Industrial Standard C8303 (7 A, 125 V AC) configuration.
4. The flexible cord must be Type RVV, three-conductor, 0.75 mm<sup>2</sup> conductor size. Power cord set fittings (appliance coupler and wall plug) must bear the CCC certification mark.

5. The flexible cord must be Type H05VV-F three-conductor, 0.75 mm<sup>2</sup> conductor size. KTL logo and individual approval number must be on each element. Approval number and logo must be printed on a flag label.
6. The flexible cord must be Type HVCTF three-conductor, 1.25 mm<sup>2</sup> conductor size. Power cord set fittings (appliance coupler, cable, and wall plug) must bear the BSMI certification mark.
7. For 127 V AC, the flexible cord must be Type SVT or SJT 3-conductor, 18 AWG, with plug NEMA 5-15P (15 A, 125 V AC), with UL and CSA or C-UL marks. For 240 V AC, the flexible cord must be Type H05VV-F three-conductor, 0.75 mm<sup>2</sup> or 1.00 mm<sup>2</sup> conductor size, with plug BS 1363/A with BSI or ASTA marks.

---

## 12 Recycling

When a nonrechargeable or rechargeable battery has reached the end of its useful life, do not dispose of the battery in general household waste. Follow the local laws and regulations in your area for battery disposal.

HP encourages customers to recycle used electronic hardware, HP original print cartridges, and rechargeable batteries. For more information about recycling programs, see the HP website at <http://www.hp.com/recycle>.

# Index

## Symbols/Numerics

360 modes, identifying 6

## A

AC adapter  
product description 2  
spare part numbers 21  
AC adapter and battery light,  
identifying 5  
action key, identifying 11  
antenna  
illustrated 21  
removal 51  
spare part number 21, 51  
audio-out (headphone)/audio-in  
(microphone) combo jack,  
identifying 6  
audio, product description 2

## B

backup, creating 64  
backups 64  
battery  
illustrated 19  
removal 35  
spare part number 19, 35  
battery cable  
removal 36  
spare part number 19, 35  
BIOS  
determining version 61  
downloading an update 62, 63  
starting the Setup Utility 61  
updating 61  
boot order, changing 66  
bottom components 12  
bottom cover  
illustrated 19  
removal 33  
spare part numbers 19, 33  
buttons  
left touchpad 9

power 11  
right touchpad 9

## C

camera  
identifying 7  
camera light, identifying 7  
camera privacy cover,  
identifying 8  
caps lock light 10  
caring for your computer 28  
cautions  
electrostatic discharge 24, 25  
chipset, product description 1  
cleaning your computer 28  
caring for wood veneer 30  
disinfecting 29  
HP Easy Clean 28  
removing dirt and debris 28  
components  
bottom 12  
display 6, 7  
keyboard area 8  
left side 5  
lights 9  
right side 4  
touchpad 9  
computer specifications 73  
connector board  
illustrated 18  
removal 42  
spare part number 18, 42  
connector board cable  
illustrated 18  
removal 41  
spare part number 18, 41  
connectors  
power 5

## D

display  
specifications 73, 74

display assembly  
illustrated 16  
removal 44  
spare part numbers 16, 44  
subcomponents 19  
display back cover  
illustrated 20, 21  
spare part numbers 20, 21  
display bezel  
illustrated 20  
removal 46  
spare part numbers 20, 47  
display components 6, 7  
display panel  
product description 1  
removal 47  
spare part numbers 49  
Display Panel and Touch Control  
Board Adhesive Kit, spare part  
number 20  
display panel assembly  
illustrated 21  
spare part numbers 21  
display panel cable  
illustrated 21  
removal 50  
spare part numbers 21, 51

## E

electrostatic discharge (ESD) 24,  
25  
preventing damage 24-26  
esc key, identifying 11

## F

fan  
illustrated 18  
spare part numbers 18  
fans  
removal 43  
spare part numbers 43  
fn key, identifying 11

- G**
- graphics, product description 1
  - grounding methods 24-26
  - guidelines
    - packaging 24, 30
    - transporting 24, 30
    - workstation 24
- H**
- hard drive
    - specifications 73
  - hardware installed
    - locating 4
  - HDMI port
    - identifying 5
  - heat sink
    - illustrated 18
    - removal 57
    - spare part numbers 18, 57
  - hinge
    - illustrated 21
    - removal 49
    - spare part number 21, 49
  - HP PC Hardware Diagnostics UEFI
    - downloading 70
    - failure ID code 69
    - HP Hotkey Support
      - software 70
    - starting 69, 70
    - using 69
  - HP PC Hardware Diagnostics
    - Windows
      - accessing 67, 68
      - downloading 68
      - failure ID code 67
      - installing 69
      - using 67
  - HP Recovery media
    - recovery 65
  - HP Sure Recover 66
  - HP Sure Start 76, 80
- I**
- illustrated parts catalog 15
  - integrated numeric keypad,
    - identifying 12
  - internal microphones,
    - identifying 7
- J**
- jacks
    - audio-out (headphone)/audio-in (microphone) 6
- K**
- keyboard, product description 2
  - keypad, integrated numeric 12
  - keys
    - action 11
    - esc 11
    - fn 11
    - num lock 12
    - Windows 11
    - Windows Copilot 11
- L**
- labels
    - contents 13
    - locations 13
  - left side components 5
  - lights
    - AC adapter and battery 5
    - camera 7
    - caps lock 10
    - microphone mute 10
    - mute 10
    - power 10
  - low blue light mode 6
- M**
- memory
    - nonvolatile 76
    - volatile 76
  - memory module
    - product description 1
  - microphone mute light,
    - identifying 10
  - microphone, product
    - description 2
  - Miscellaneous Kit
    - contents 21
    - spare part number 21
  - model name 1
  - mouse, spare part numbers 21
  - mute light, identifying 10
- N**
- nonvolatile memory 76
  - num lock key, identifying 12
- O**
- operating system, product
    - description 2
  - optical drive, spare part
    - number 21
- P**
- packaging guidelines 24, 30
  - pointing device, product
    - description 2
  - ports
    - HDMI 5
    - product description 2
    - USB 5, 6
    - USB Type-C power connector
      - and port with HP Sleep and Charge and DisplayPort
        - output 5
  - power button, identifying 11
  - power connector
    - identifying 5
  - power cord
    - requirements for all
      - countries 81
    - requirements for specific
      - countries and regions 81
    - set requirements 81
    - spare part numbers 22
  - power light, identifying 10
  - power requirements, product
    - description 2
  - processor, product description 1
  - product description
    - audio 2
    - chipset 1
    - display panel 1
    - graphics 1
    - keyboard 2
    - memory module 1
    - microphone 2
    - operating system 2
    - pointing device 2
    - ports 2
    - power requirements 2
    - processors 1
    - product name 1
    - security 2
    - serviceability 3
    - storage 1
    - video 2
    - wireless 2
  - product name 1
- R**
- recovery 64, 65
    - discs 65
    - media 65
    - USB flash drive 65
  - recovery media 64

- creating using HP Cloud Recovery Download Tool 64
    - creating using Windows tools 64
  - Remote HP PC Hardware Diagnostics UEFI settings
    - customizing 72
    - using 71
  - removal and replacement procedures 33
  - removing personal data from volatile system memory 76
  - restoring 64
  - restoring and recovery methods 65
  - right side components 4
- S**
- Screw Kit, spare part number 23
- security, product description 2
- serviceability, product description 3
- software installed, locating 4
- solid-state drive
  - specifications 74
- spare part country codes 59
- speakers 12
  - illustrated 19
  - removal 37
  - spare part number 19, 37
- special keys
  - identifying 10
  - using 10
- specifications
  - computer 73
  - display 73, 74
  - hard drive 73
  - solid-state drive 74
- SSD
  - illustrated 19
  - removal 38
  - spare part numbers 19, 38
- SSD bracket
  - illustrated 19
  - spare part number 19
- static electricity 24, 25
- storage, product description 1
- support information 31
- system board
  - illustrated 17
  - removal 54
  - spare part numbers 17, 54

- system memory, removing
      - personal data from volatile 76
    - system restore 65
    - system restore point, creating 64

## T

- top cover and keyboard
  - illustrated 16
  - spare part numbers 16, 59
- touchpad
  - illustrated 17
  - removal 53
  - settings 8
  - spare part numbers 17, 53
- touchpad bracket
  - illustrated 17
  - removal 53
  - spare part number 17
- touchpad buttons
  - identifying 9
- touchpad cable
  - illustrated 17
  - removal 52
  - spare part number 17, 52
- touchpad settings, adjusting 8
- touchpad zone, identifying 9
- transporting guidelines 24, 30

## U

- USB port, identifying 5, 6
- USB Type-C power connector and port with HP Sleep and Charge and DisplayPort output, identifying 5

## V

- vents, identifying 12
- video, product description 2

## W

- wake-on-voice 7
- webcam/microphone module
  - illustrated 21
  - removal 50
  - spare part numbers 21, 51
- webcam/microphone module cable
  - removal 50
  - spare part numbers 51
- Windows
  - backup 64
  - recovery media 64
  - system restore point 64

- Windows Copilot key, identifying 11
- Windows key, identifying 11
- Windows tools, using 64
- wireless antenna
  - illustrated 21
  - removal 51
  - spare part number 21, 51
- wireless antennas, identifying 7
- wireless, product description 2
- WLAN antenna
  - illustrated 21
  - removal 51
  - spare part number 21, 51
- WLAN antennas, identifying 7
- WLAN module
  - illustrated 18
  - removal 39
  - spare part numbers 18, 39
- WLAN module plate
  - removal 40, 44, 56
  - spare part number 19, 40, 44, 56
- workstation guidelines 24