

## Kit Contents

I-Series Touchcomputer  
DC Power Supply  
1.8m US Power Cable  
1.8m EU Power Cable  
0.9m RJ50 to DB9 Serial Cable  
2x Cable Tie  
CFD Mounting Plate and 4x M4x20 Screw (for mounting customer-facing display- see user manual for details)  
VESA cover and 2x M3x10 Screw (for changing to other VESA mount)  
4x M4x12 Screw (VESA mount screw)  
1x 100mm VESA adaptor(15.6"/15"only)  
4x M4x18 Screw (VESA adaptor screw,15.6"/15"only)



## EU Battery Regulation

This symbol on the battery(ies) or on the packaging indicates that the battery(ies) provided with this product should not be treated as household waste. Instead, please separate the battery(ies) from other types of waste and recycle them through your local recycling system to protect the environment and health. The chemical symbol for lead (Pb) is added under this symbol if the battery(ies) contains more than 0.004% lead. Additionally, the chemical symbol for cadmium (Cd) is added under this symbol if the battery(ies) contains more than 0.002% cadmium.

For more detailed information about the recycling of these batteries, please contact your local authority or the shop where you purchased the product or batteries.

Learn more about Elo at [EloTouch.com](http://EloTouch.com)

### Americas

Tel +1 408 597 8000  
EloSales.NA@elotouch.com

### Europe (EMEA)

Tel +32 16 930 136  
EMEA.sales@elotouch.com

### Asia Pacific

Tel +86 (21) 3329 1385  
EloAsia@elotouch.com

The information in this document is subject to change without notice. Elo Touch Solutions, Inc. and its Affiliates (collectively "Elo") makes no representations or warranties with respect to the contents herein, and specifically disclaims any implied warranties of merchantability or fitness for a particular purpose. Elo reserves the right to revise this publication and to make changes from time to time in the content hereof without obligation of Elo to notify any person of such revisions or changes.

No part of this publication may be reproduced, transmitted, transcribed, stored in a retrieval system, or translated into any language or computer language, in any form or by any means, including, but not limited to, electronic, magnetic, optical, chemical, manual, or otherwise without prior written permission of Elo Touch Solutions, Inc.

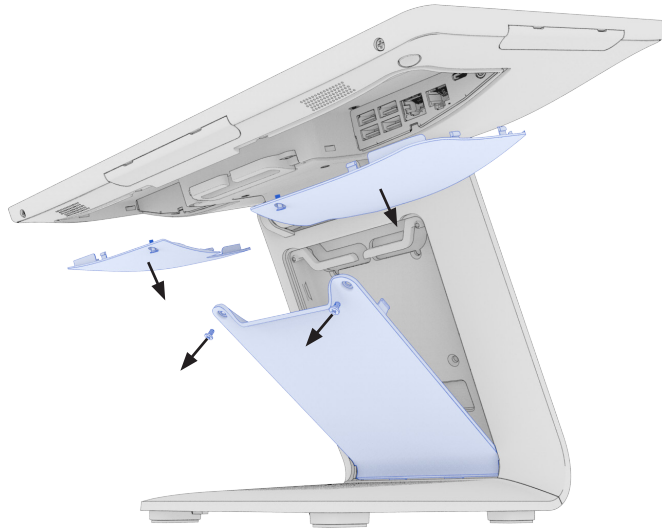
Elo and the Elo logo are either trademarks or registered trademarks of Elo Touch Solutions, Inc.



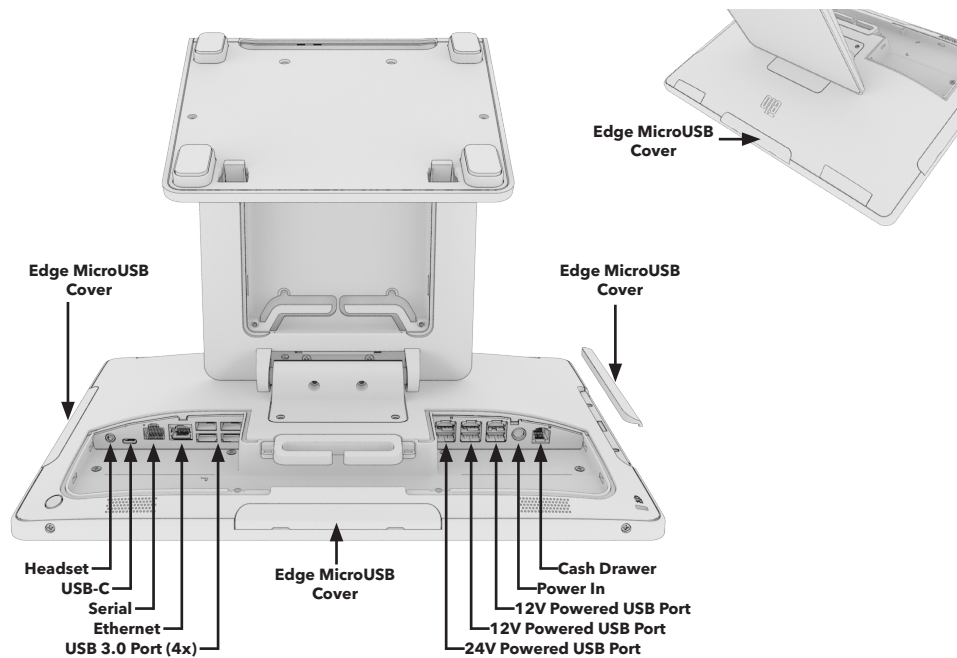
## Quick Installation Guide

# I-Series 3 with Intel®

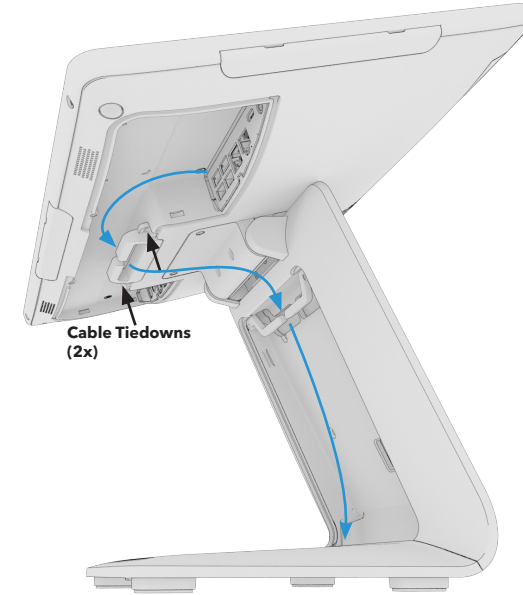
- 1 Unsnap the cable covers from the display. Remove the stand door by unscrewing the two retaining screws and unsnapping the door from the stand.



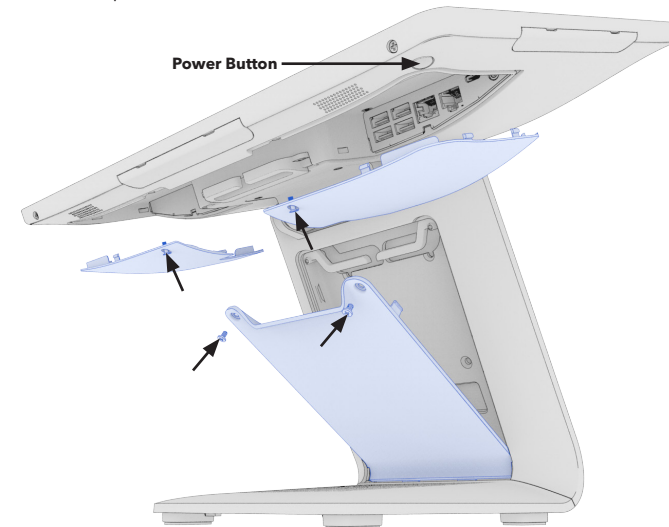
- 2 Connect the power adapter. Make additional connections as needed. Connect Edge Connect peripherals to edge Micro USB ports by removing covers as shown.



- 3 Route cables through guide fingers in display and stand, through hole in base of stand. Tie down cables using included Cable Ties at two locations shown. Ensure adequate cable slack so that display can tilt freely.



- 4 Reinstall the stand door by snapping into the stand and installing the two screws from step 1. Reinstall the cable covers by snapping into the display and tightening the two screws. Press the power button to turn on the Touchcomputer.



See detailed user guide at [www.elotouch.com](http://www.elotouch.com) for additional information.