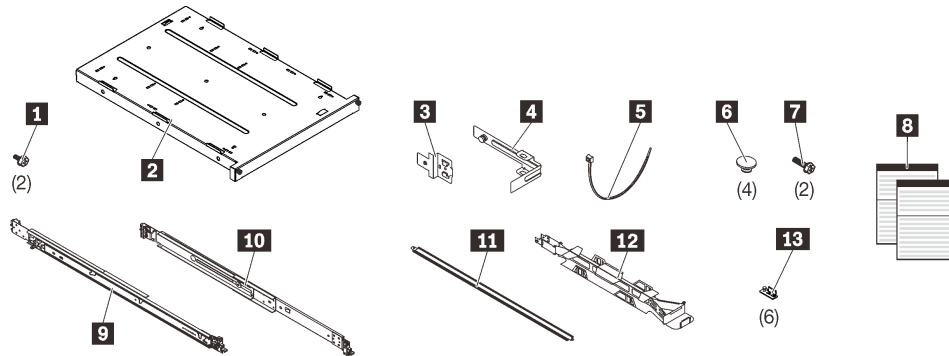


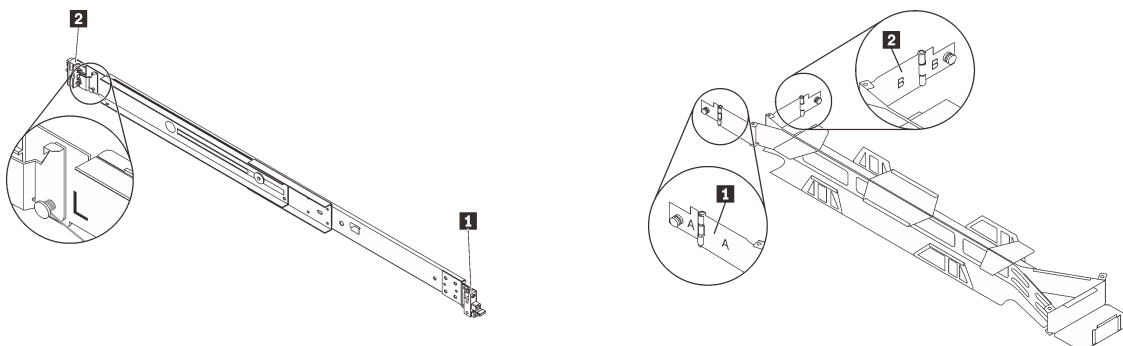
# Rail Installation Guide

## ThinkSystem Tower-to-rack Conversion Kit



This conversion kit comes with the following parts:

<b>1</b> Two #10-32 x 10 screws	<b>8</b> This publication
<b>2</b> One server rack tray	<b>9</b> One right slide rail
<b>3</b> One CMA mounting bracket	<b>10</b> One left slide rail
<b>4</b> One CMA stop bracket	<b>11</b> One CMA support bar
<b>5</b> One cable tie	<b>12</b> One cable management arm (CMA)
<b>6</b> Four rubber safety pads	<b>13</b> Six server brackets
<b>7</b> Two M6 x 16 screws	



Following are the components of the slide rail:

<b>1</b> Rear end of the slide rail	<b>1</b> Arm marked with A
<b>2</b> Front end of the slide rail <sup>1</sup>	<b>2</b> Arm marked with B

Following are the components of the CMA:

1. The rails are marked L (left) or R (right), which refers to the direction from the front of the rack cabinet.

## Read these guidelines first

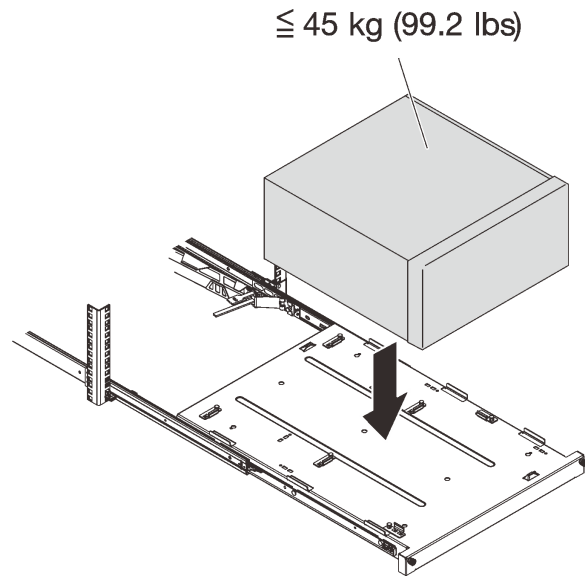


### Attention:

1. The maximum allowable weight on this slide rail is 45 kg (99.2 lbs).
2. The server is a 4U rack mount server, however the rack mount kit adds 1U to the vertical space occupied by the server. The total rack space occupied is 5U.

**Note:** Your system might look slightly different from the one shown in the illustration.

3. Before installing a server into the rack cabinet, disconnect all power cords from electrical outlets and disconnect all cables that are connected to the server.
4. Connect all power cords to proper electrical outlets, and refer to the documentation that comes with the rack cabinet for cabling information to properly manage all the cables in the rack cabinet.



## Server installation and removal

For instructions on server installation and removal, refer to *Maintenance Manual* or *Setup Guide* of your system at ThinkSystem Documentation Center (link and QR code below).

<https://thinksystem.lenovofiles.com/help/index.jsp>

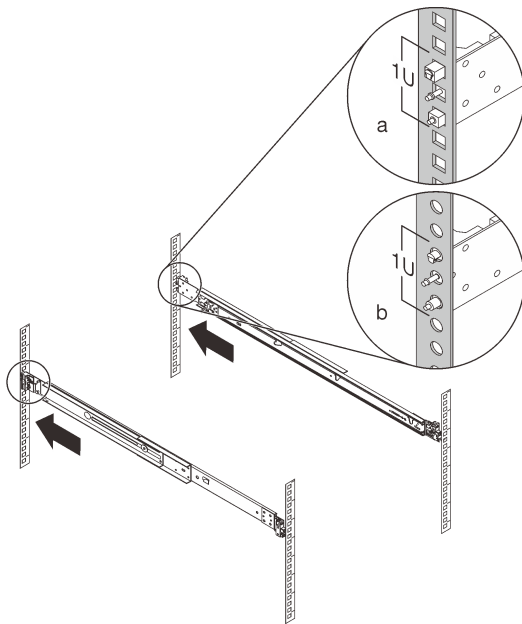


## Install the tower-to-rack conversion kit

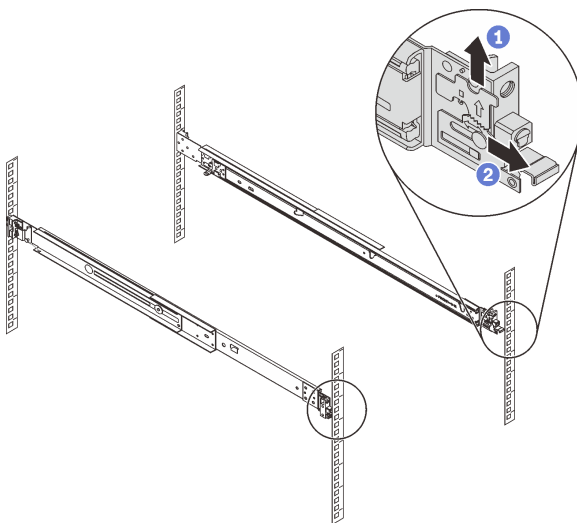
Follow instructions in this section to install the tower-to-rack conversion kit.

**Note:** Your system might look slightly different from those shown in the illustrations.

- Step 1. Select the proper rack mounting holes on the rear of the rack for one of the slide rails, and align the rear pins of the rail to the three corresponding holes in the selected U in the rear of the rack.
- Step 2. Push the rail in the direction as shown until the pins go into the holes and drop the slide rail down until it latches into place.

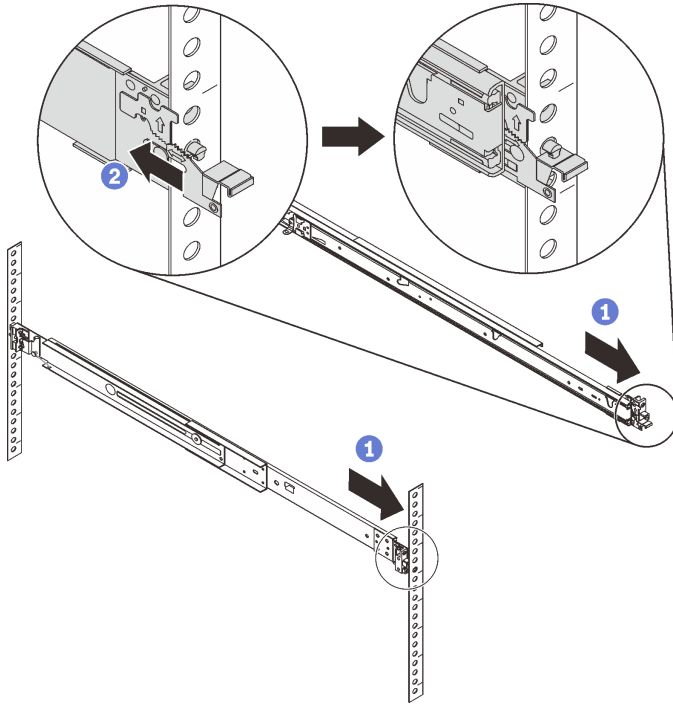


- Step 3. Unlock the slide rail lock.
  - a. 1 Pull up and hold the release latch on the front end of the slide rail.
  - b. 2 Pull the slide rail lock out.



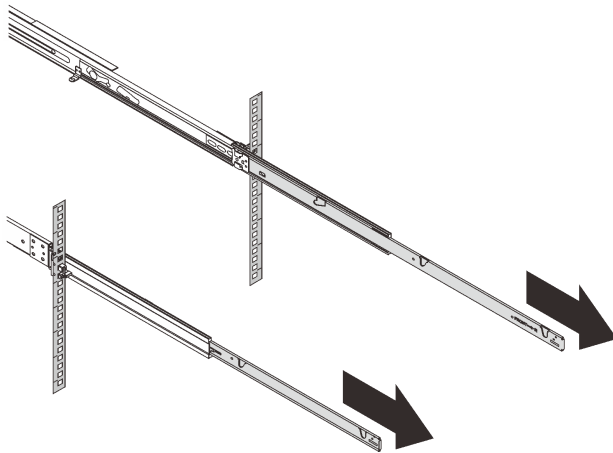
Step 4. Secure the front end of the rail to the mounting flange.

- a. ① From the front of the rack, pull the slide rail forward and slide and push the two lower pins on the front of the slide rail into the lower holes in the U on the front of the rack.
- b. ② Push the front latch in all the way with one hand while you pull on the rail assembly with your other hand. Ensure that the front of the slide rail is in contact with the backside of the mounting flange.

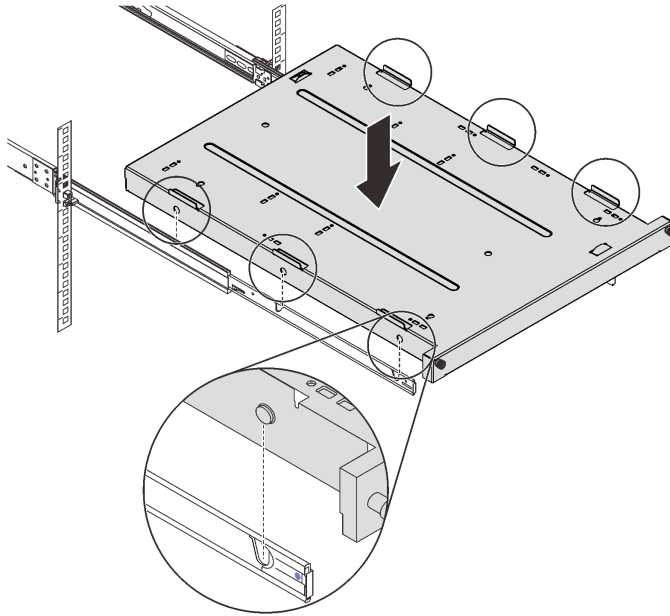


Step 5. Repeat **Steps 1 to 4** on the other slide rail.

Step 6. Extend both inner rails until they click into place.



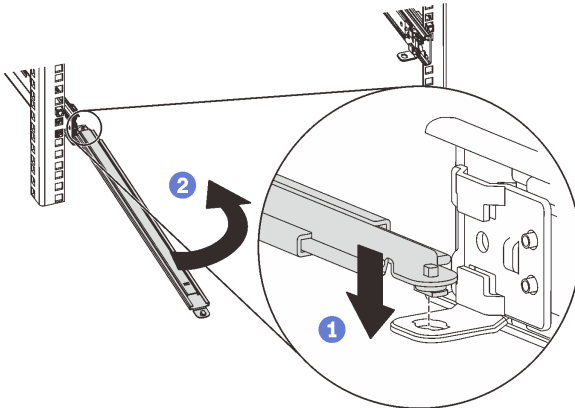
Step 7. Align the nubs on the server rack tray with the holes on the rails as illustrated, and lower the tray until it sits firmly between the two rails and the front nubs click in place.



Step 8. Install the CMA support bar.

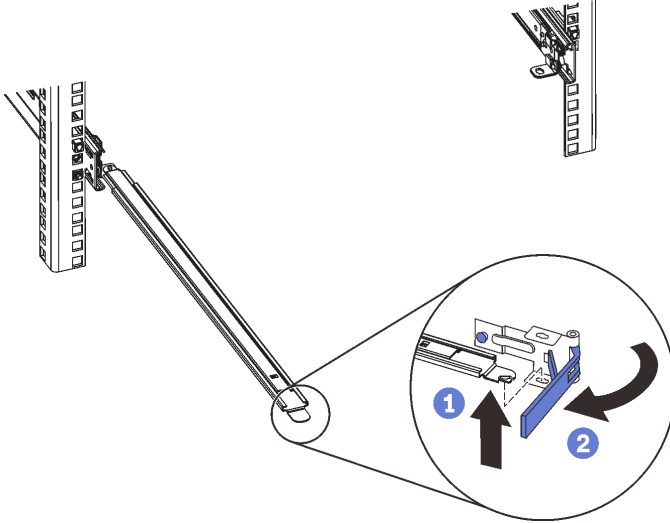
- a. 1 For installation of the CMA on the right slide rail, insert the pin of the CMA support bar to the rear end of the slide rail ensuring shiny bar is on top.
- b. 2 Rotate the other end of the CMA support bar towards the other slide rail.

#### Rack Rear



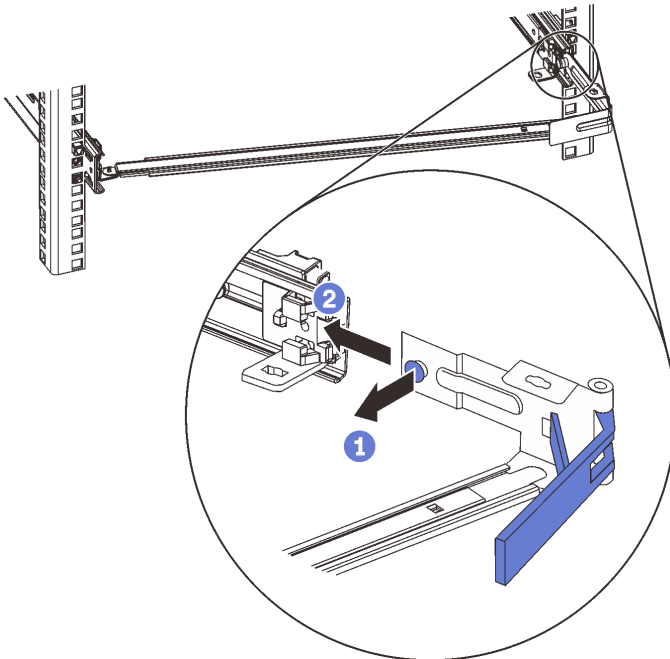
Step 9. Install the CMA stop bracket.

- a. 1 Insert the pin on the unattached end of the CMA support bar down into the slot in the CMA stop bracket.
- b. 2 Rotate the CMA stop bracket clockwise to secure it to the support bar.



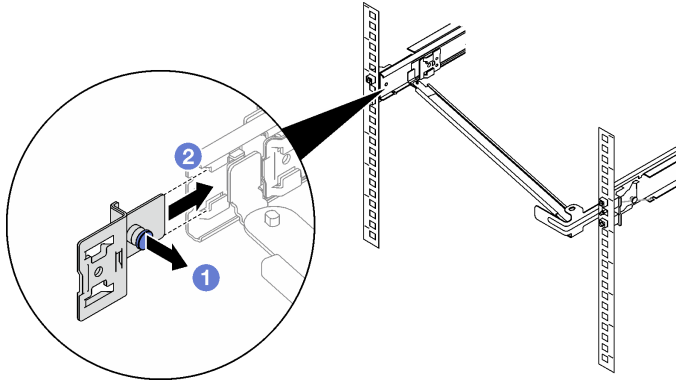
Step 10. Connect the stop bracket to the slide rail.

- a. 1 Pull out the pin on the stop bracket.
- b. 2 Slide and push the stop bracket into the slide rail until it snap into place.



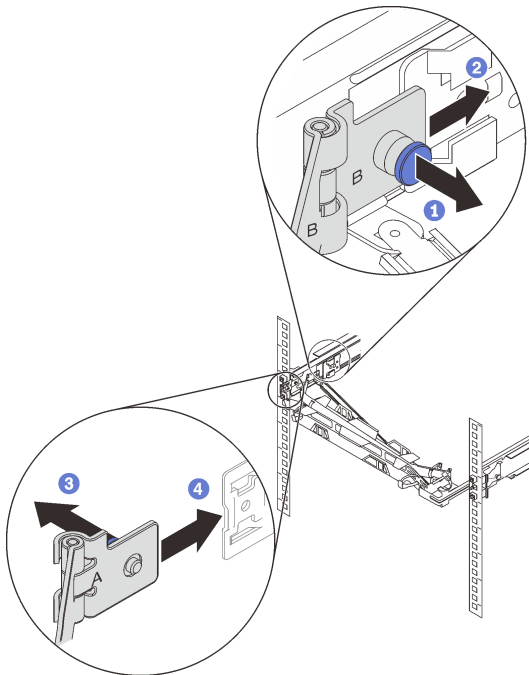
Step 11. Install the CMA mounting bracket into the slide rail.

- a. 1 Pull out the mounting bracket pin and slide the mounting bracket into the slide rail onto which you are installing the CMA.
- b. 2 Push the bracket into the slide rail until it snaps into place.



Step 12. Install the CMA into the slide rail.

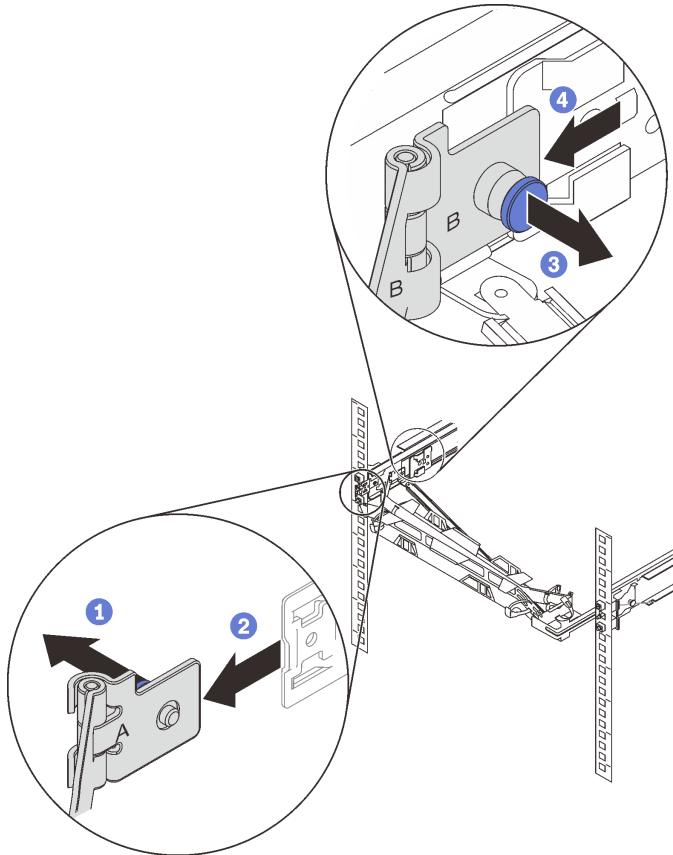
- a. 1 Place the CMA on the support bar. Pull out the pin on the side of the arm marked "B."
- b. 2 Slide and push the arm into the right slide rail until it snaps into place.
- c. 3 Pull out the pin on the side of the arm marked "A."
- d. 4 Slide and push the arm into the mounting bracket.



## Remove the rails from the rack

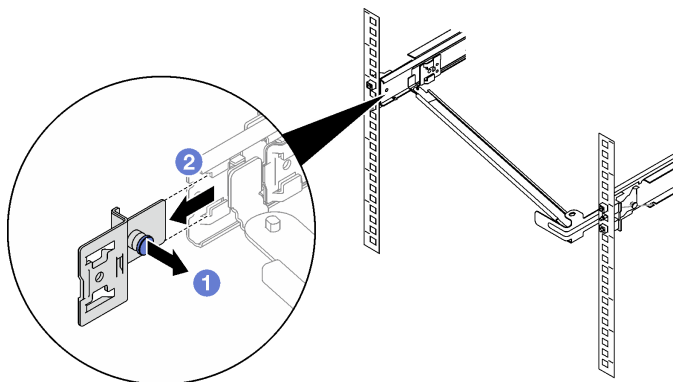
Step 1. Remove the CMA from the slide rail.

- a. 1 Pull out the pin on the side of the arm marked "A."
- b. 2 Slide and pull out the arm from the CMA mounting bracket.
- c. 3 Pull out the pin on the side of the arm marked "B."
- d. 4 Slide and pull out the arm from the slide rail.



Step 2. Remove the CMA mounting bracket from the slide rail.

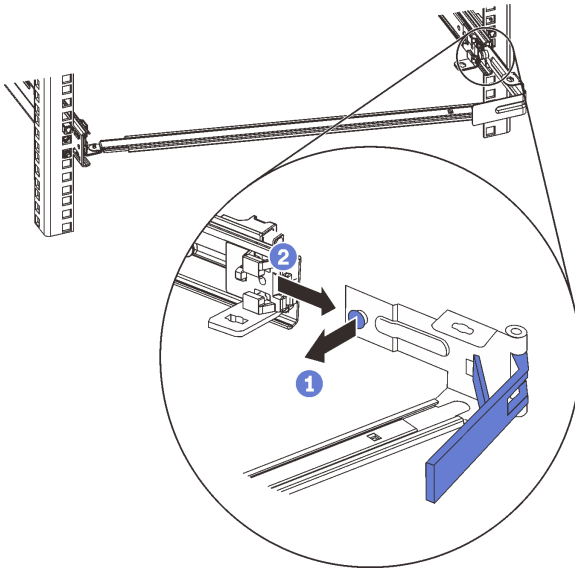
- a. 1 Pull out the pin on the mounting bracket.
- b. 2 Slide and pull the mounting bracket out of the rail.





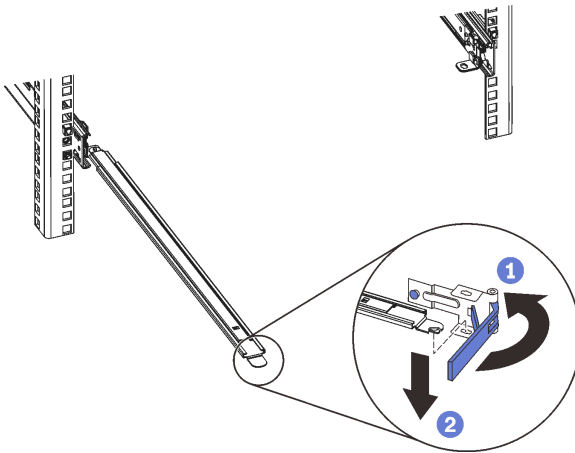
Step 3. Disconnect the stop bracket from the slide rail.

- a. 1 Pull out the pin on the stop bracket.
- b. 2 Slide and pull the stop bracket out of the slide rail.



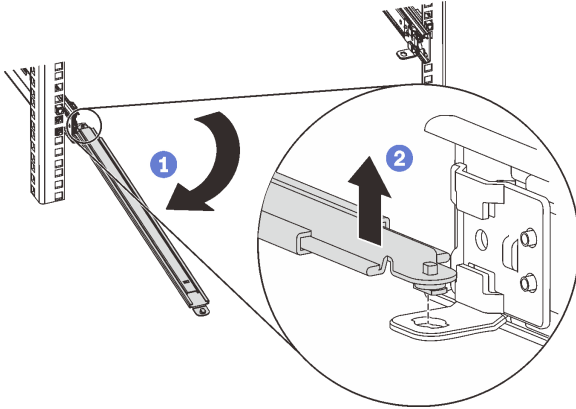
Step 4. Remove the CMA stop bracket.

- a. 1 Rotate the CMA stop bracket as illustrated.
- b. 2 Disengage the pin on the CMA support bar from the slot on the stop bracket.



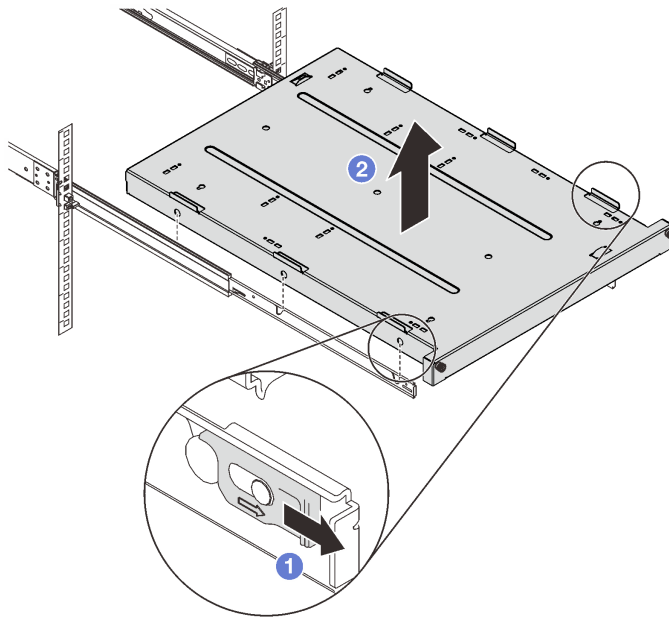
Step 5. Remove the CMA support bar.

- a. 1 Rotate the CMA support bar away from the other slide rail.
- b. 2 Disengage the pin on the CMA support bar from the slot on the slide rail.



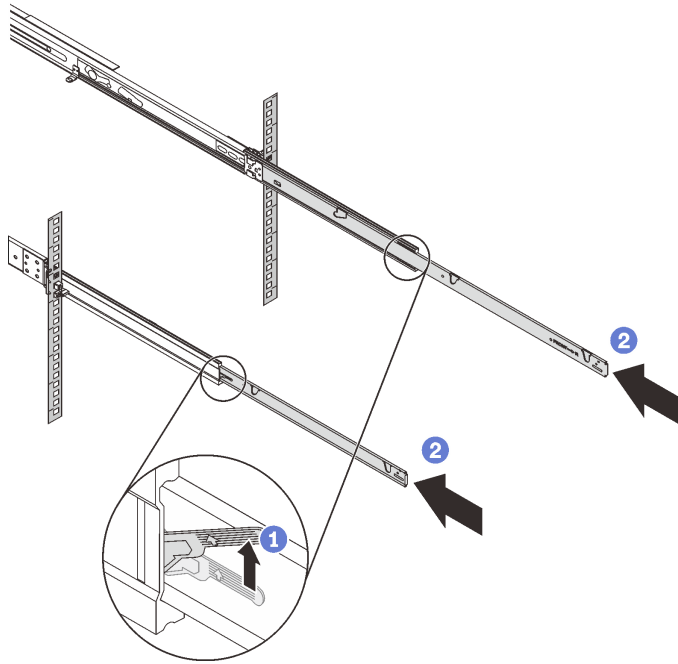
Step 6. Remove the server rack tray.

- a. 1 Pull the latch outward.
- b. 2 Lift the server rack tray out of the slide rails.



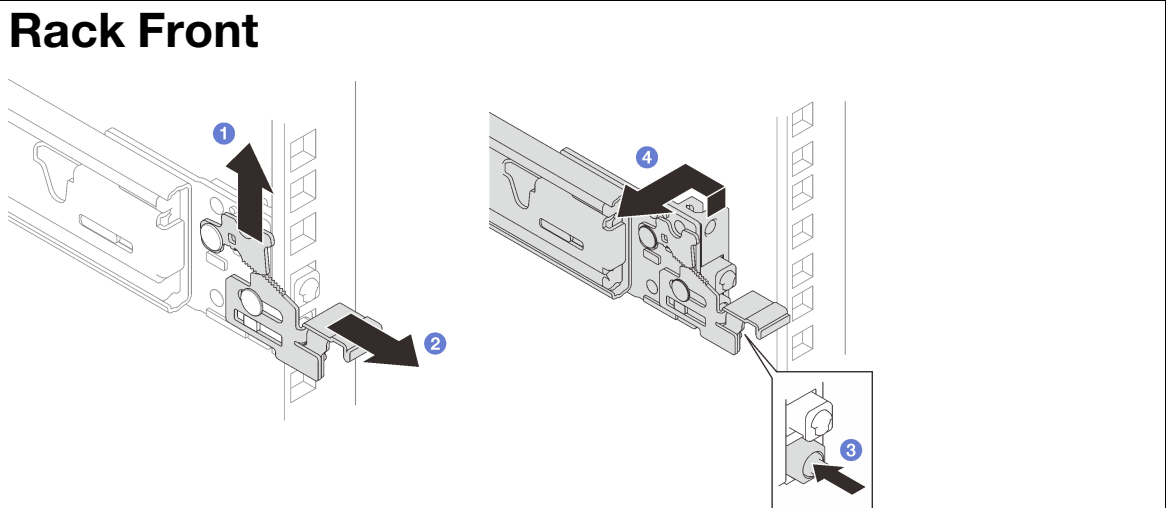
Step 7. Slide the inner rails into the rack.

- a. ① Lift the rail latches on both sides.
- b. ② Gently slide and push the inner rails into the rack.



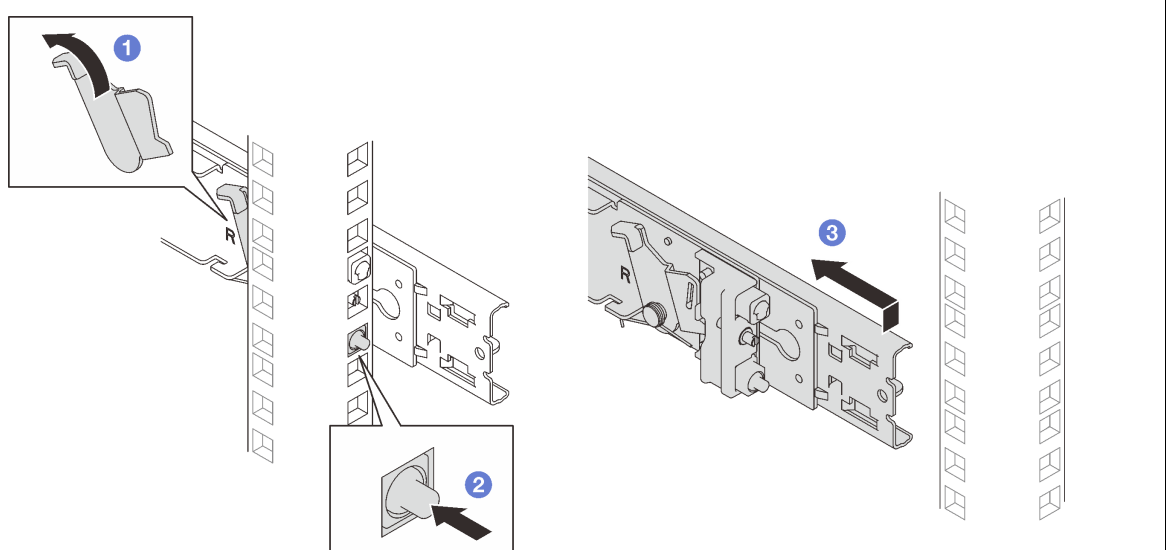
Step 8. Remove the rails from the rack.

### Rack Front



- 1 Pull up and hold the release latch on the front end of the slide rail.
- 2 Pull out the slide rail lock and keep it in the open position.
- 3 While keeping the release latch and slide rail lock open, press the rail mounting pin. The slide rail will be released from the rack.
- 4 Pivot the slide rail to remove it from the rack.

### Rack Rear



- 1 Push the latch towards the front of the rack.
- 2 Press the rail mounting pin. The slide rail will be released from the rack.
- 3 Holding the rail with one hand, slightly lift the rail with the other and push it in the direction as illustrated to remove the rail from the rack.



---

**Second Edition (March 2022)**

**© Copyright Lenovo 2022, 2022.**

**LIMITED AND RESTRICTED RIGHTS NOTICE: If data or software is delivered pursuant to a General Services Administration (GSA) contract, use, reproduction, or disclosure is subject to restrictions set forth in Contract No. GS-35F-05925.**

Product and service names appearing herein are trademarks or service marks of their respective owners.