



The bridge to possible

Cisco UCS M8 Ordering Guide

Introduction

This ordering guide covers the ordering information for the below servers:

The Cisco UCS C245 M8 Rack:

The UCS C245 M8 SFF server extends the capabilities of Cisco's Unified Computing System portfolio in a 2U form factor with the 4th Gen. AMD EPYC™ CPUs, 12 DIMM slots per CPU for 4800 MT/s DDR5 DIMMs with individual DIMM capacity points up to 256 GB.

The Cisco UCS C225 M8 Rack:

The UCS C225 M8 SFF server extends the capabilities of Cisco's Unified Computing System portfolio in a 1U form factor with the 4th Gen. AMD EPYC™ CPUs, 12 DIMM slots per CPU for 4800 MT/s DDR5 DIMMs with individual DIMM capacity points up to 128 GB.

Purpose, Audience, and Scope

Purpose

This document describes how to order the Cisco UCS M8 Product.

Scope

This ordering guide describes the information for:

- Ordering Structure of Cisco UCS M8 Server
- Catalog of Product IDs
- Ordering Server Hardware and Software options
- Links to additional resources

Audience

Buy Method Through Cisco (Eg: Direct Customer & Tier 1 Partners):

- Scenario 1: Customer Without Enterprise Agreement for Cisco Intersight Software License
- Scenario 2: Customer With Enterprise Agreement for Cisco Intersight Software License

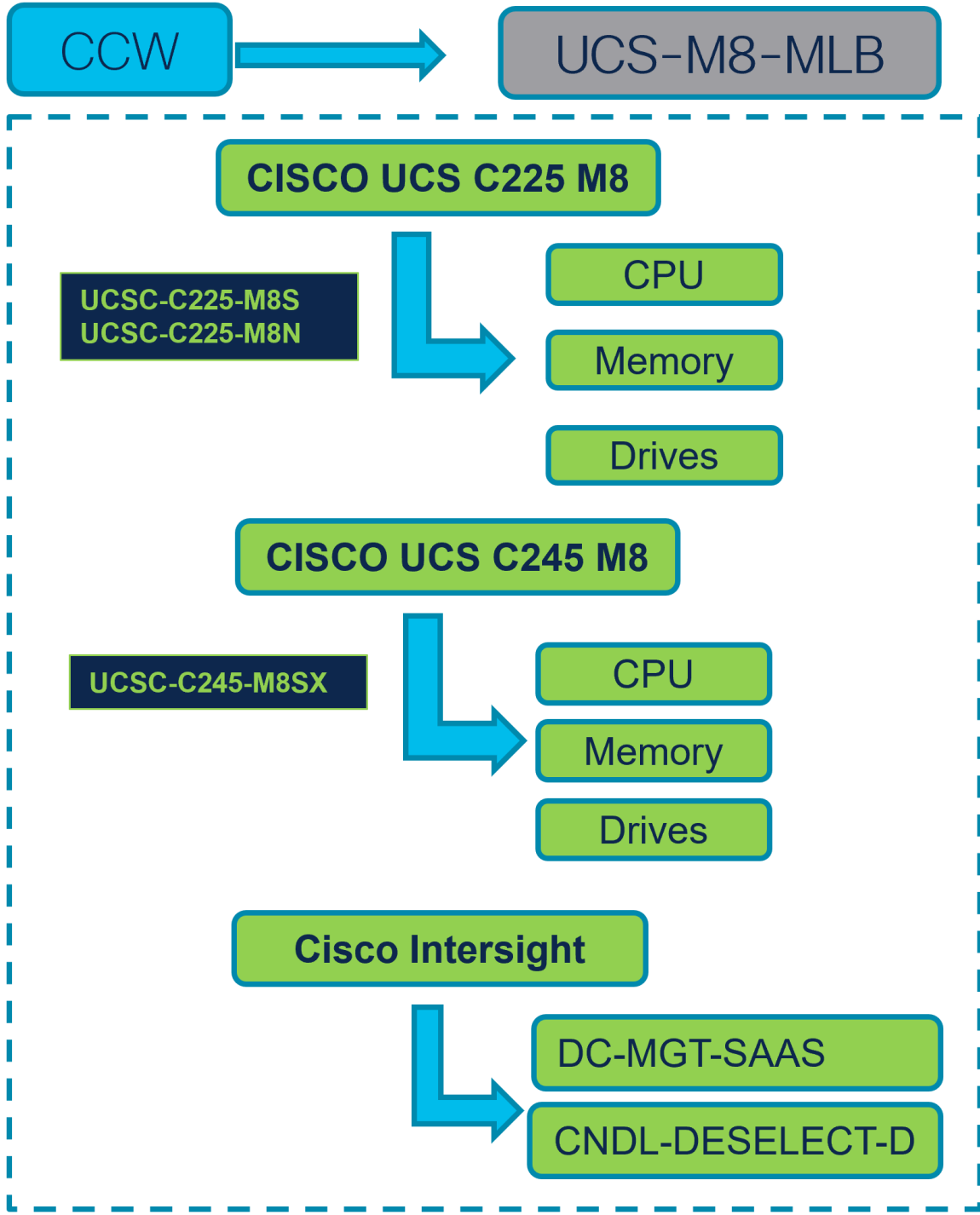
Buy Method Through Distributor (Eg: Tier 1 & Tier 2 Partners):

- Scenario 1: Customer Without Enterprise Agreement for Cisco Intersight Software License
- Scenario 2: Customer With Enterprise Agreement for Cisco Intersight Software License

Ordering Structure of Cisco UCS M8 Server

UCS M8 Ordering Structure

***Products Not available to order standalone. Can be ordered only under MLB**



Catalog of Product IDs (PIDs)

Note: For a complete list of part numbers for the see the Cisco [UCS C245 M8 SFF Rack Server Spec Sheet and Cisco UCS C225 M8 SFF Rack Server Spec Sheet](#)

Table 1. PID of Major Line Bundle (MLB)

Product ID (PID)	Description
UCS-M8-MLB	UCS M8 RACK MLB

Table 2. Rack Server Major Line PIDs

Product ID (PID)	Description
UCSC-C245-M8SX	UCS C245M8 Rack w/o CPU, memory, drive, 2Uw24SFF HDD/SSD backplane
UCSC-C225-M8S	UCS C225M8 Rack w/o CPU, memory, drive, 1Uw10SFF HDD/SSD backplane
UCSC-C225-M8N	UCS C225M8 Rack w/o CPU, memory, drive, 1Uw10 NVMe drive backplane

Table 3. Cisco Intersight Major Line PIDs

Product ID (PID)	Description
DC-MGT-SAAS	Cisco Intersight SaaS
CNDL-DESELECT-D	Conditional Deselect

Step By Step Ordering Process

Buy Method Through Cisco (Eg: Direct Customer & Tier 1 Partners)

Scenario 1: Customer Without Enterprise Agreement for Cisco Intersight Software License

Step 1.

Set preferences for this estimate

Search by Sku , Program ID , Description and Product Family 1 Add Find Products & Solutions Actions

The product discounts are cascaded to subscription items, however subscription items may only be eligible for lower discounts. To apply the proper discount to subscription items, click on "MORE" and then, "Apply Discount".

Remove Selected Lines Apply Success Track More Filter By All Items

	Hardware, Software and Services	Estimated Lead Time	Unit List Price (USD)	Qty	Unit Net Price (USD)	Discount (%)	Extended Net Price (USD)
	1.0 UCS-M8-MLB more UCS M8 RACK MLB Invalid as of 14-Mar-2024 04:59:07 PDT	Not Applicable	0.00	1	0.00	0.00	0.00

Select Options Validate Recommended Content Add Note More Actions Add Subtotal

- In CCW, search for UCS-M8-MLB PID and click on “Add”
- Click on “Select Options” to enter the configurator.

Step 2.

Bundle Configuration UCS-M8-MLB Estimated Lead Time 21 days UCSC-C245-M8SX Total 7,928.25

Set service preferences for this configuration

Please make a selection from CISCO INTERSIGHT. (CE100007)

UCSC-C245-M8SX has been added to the bundle category CISCO UCS C245 M8.

Available Components Unit List Price (USD)

CISCO UCS C245 M8 6,228.99

UCSC-C245-M8SX
UCS C245M8 Rack w/oCPU, mem, drv, 2Uw24SFF
HDD/SSD backplane
Estimated Lead Time: --

CISCO UCS C245 M8 > 1 Selected (Min 0, Max 99999)

Product	Unit List Price (USD)	Adjusted List Price (USD)	Qty	Extended List Price (USD)
UCSC-C245-M8SX Invalid UCS C245M8 Rack w/oCPU, mem, drv, 2Uw24SFF HDD/SSD backplane		7,928.25	1	7,928.25

CISCO INTERSIGHT > 0 Selected (min 1, Max 1)

Configuration Summary All prices shown in USD

Total	7,928.25
Estimated Lead Time	21 days

- Select UCSC-C245-M8SX ATO from under MLB by clicking the “PLUS”.
- Notice the UCSC-C245-M8SX ATO Status is now Invalid as further configuration needed.

c. Click on “Edit Options” to enter the configurator.

Step 3.

CISCO UCS C245 M8

Product Configuration: UCSC-C245-M8SX part of UCS-M8-M8SX
Estimated Lead Time: 21 days
Total (USD): 6,281.25

Warning: 1: A selection from PSU-Input High Line 220VAC or PSU-Input Low Line 110VAC is required. Please adjust the selections. (CE200122) (00627)
2: A selection of UCSC-RAIL-D or UCSC-RAIL-NONE-D is required from Rail Kit. Please adjust the selections. (CE200122) (00627)
3: UCSX-TPM2002B-C is defaulted under Security Options. (CE100033)
4: UCSC-C245-M8SX quantity 1 requires a minimum quantity of 1 from Processor (CE100012)
5: UCSC-C245-M8SX requires a selection of 1 and allow a maximum of 1 for PCIe Riser Option. (CE400015)

Configuration Summary

Category	Qty	Extended List Price (USD)
Processor		
Memory		
GPU Airduct		
PCIe Riser Option		
RAID Controller		
Front Facing Drive Option		
Rear Drive - Riser 1B/3B/3D		
PCIe MLOM		
PCIe OPTIONS		
Total		6,281.25
Estimated Lead Time		21 days

Processor

SKU	Qty	Estimated Lead Time	Unit List Price (USD)
<input type="radio"/> UCS-CPU-A9754 [F3H] AMD 9754 2.25GHz 360W 128C/256MB Cache DDR5 4800MT/s	Qty	21 days	25,496.38
<input type="radio"/> UCS-CPU-A9734 [F3H] AMD 9734 2.2GHz 340W 112C/256MB Cache DDR5 4800MT/s	Qty	21 days	20,918.55
<input type="radio"/> UCS-CPU-A9654 [F3H] AMD 9654 2.4GHz 360W 96C/384MB Cache DDR5 4800MT/s	Qty	21 days	22,661.77
<input type="radio"/> UCS-CPU-A9634 [F3H] AMD 9634 2.25GHz 290W 84C/384MB Cache DDR5 4800MT/s	Qty	21 days	20,482.74
<input type="radio"/> UCS-CPU-A9554 [F3H] AMD 9554 3.1GHz 360W 64C/256MB Cache DDR5 4800MT/s	Qty	21 days	19,611.14

Callouts:
a: Processor category in Configuration Summary
b: Grouped options in Configuration Summary
c: Warning message at the top
d: Done button at the bottom right

- Configure UCSC-C245-M8SX by selecting peripherals from category window on the left.
- PIDs are listed in the window on the right. Some PIDs like PCIe Riser and Drives are grouped according to type or series; select from the grouped options located above SKU window on the right.
- Follow warning messages to configure the minimum required option PIDs.
- Click on “Done” when completed.

Step 4.

Cisco UCS C245 M8

Product Configuration: UCSC-C245-M8SX part of UCS-M8-
 Estimated Lead Time: 21 days
 Price List: Global Price List (USD) 105,062.71

Warning: 1: A selection of Standard License or Education License or NVIDIA Opt Out is required when GPU is selected. Please...
 2: Use Power Calculator to determine the correct power supply. The Power Calculator can be found at http://ucspower...
 3: UCSX-TPM2002B-C is defaulted under Security Options. (CE100033)

Configuration Summary View Full Summary

Category	Qty	Extended List Price (USD)
PCIE OPTIONS		
R1A Slot1 x8 FH		
UCSC-GPU-L4	1	10,854.00
R1C Slot1 x16 FH		
R1A1C Slot2 x16 FH		
R1A Slot3 x8 FH		
R2A Slot4 x8 FH		
R2C Slot4 x16 FH		
Total		105,062.71
Estimated Lead Time		21 days

Option Search | Multiple Options Search

UCSC-C245-M8SX > R1A Slot1 x8 FH

PCle VIC | PCle NIC | PCle - HBA | PCle M.2 NVMe BOOT RAID Controller | PCle - External Storage HBA | PCle - GPU | Standard License
 Education License | NVIDIA Opt Out

SKU	Qty	Estimated Lead Time	Unit List Price (USD)
UCSC-GPU-L4	1	21 days	10,854.00
NVIDIA L4-70W, 24GB, 1-slot HHHHL GPU			

Clear Selection | Show Incompatible SKUs

Reset Configuration | Cancel | Done

- NVIDIA GPU Licenses are now removed from the GPU HW, i.e. GPU is no longer configurable.
- NVIDIA GPU Licenses are now structured at the same level of GPU highlighted with red box.
- Once GPU HW is selected, Warning Rule/ Message is popped out which requires customer to select NVIDIA Licenses.
- Click on "Done"

Step 5.

CISCO UCS C245 M8

Bundle Configuration: UCS-M8-MLB
 Estimated Lead Time: 21 days
 Price List: Global Price List (USD) Total: 95,977.45

Set service preferences for this configuration

Warning: Please make a selection from CISCO INTERSIGHT. (CE100007)

Available Components Unit List Price (USD)

Component	Unit List Price (USD)
CISCO UCS C245 M8	6,228.99
CISCO INTERSIGHT	

CISCO UCS C245 M8 > 1 Selected (Min 0, Max 99999)

Product	Unit List Price (USD)	Adjusted List Price (USD)	Qty	Extended List Price (USD)
UCSC-C245-M8SX	21,702.10	21,702.10	1	95,977.45

Configuration Summary All prices shown in USD

Total	95,977.45
Estimated Lead Time	21 days

Cancel | Done

- a. Note Status is now showing as Valid.
- b. Increase the quantity for multiples of same configuration.
- c. Click the “PLUS” to add and configure the same product with different option/quantities or select a different product.

Step 6.

Cisco UCS C245 M8

UCSC-C245-M8SX **Services/Subscriptions**

Bundle Configuration: UCS-M8-MLB Estimated Lead Time: 21 days

Set service preferences for this configuration

Please make a selection from CISCO INTERSIGHT. (CE100007)

Product	Unit List Price (USD)	Adjusted List Price (USD)	Qty	Extended List Price (USD)
UCSC-C245-M8SX Valid	21,702.10	21,702.10	1	95,977.45

Configuration Summary All prices shown in USD

Total	95,977.45
Estimated Lead Time	21 days

- a. Click on “Edit Services/Subscriptions” to edit Term Duration for HW Support.

Note: It is recommended that Term Duration for HW Support must align with Software Subscription Duration.

Step 7.

Cisco UCS C245 M8

Service Subscription: UCSC-C245-M8SX | Price List: Global Price List | Service Total (USD): 941.00 | Subscription Total (USD): 0.00

UCSC-C245-M8SX | **Services/Subscriptions**

The duration that you entered has been successfully applied to all the services. (C0329)

Service Options

Choose Service Level from: All Service Programs

Search by Name & Description

Note: Cisco may still install another compatible service if required. Compatible services are the services that come with primary service and are based on products.

Time Duration: Duration (36) | Delay service start to | Co-Term service to

Buttons: **Apply** (b), **Done** (b)

Service SKU	Product SKU	Unit List Price (USD)	Qty	Total List Price (USD)
Cisco Customer Experience Level 1 (1 ITEM)	L1NCO (CX LEVEL 1 8X7XNCDOS) Duration 36 Months			
CON-L1NCO-UCSCM8SX	UCSC-C245-M8SX	4,941.00	1	4,941.00
CX LEVEL 1 8X7XNCDOS UCS C245M8 Rack w/oCP...	UCS C245M8 Rack w/oCPU, mem, drv, 2Uw24SFF HD...		1	

Configuration Summary: All prices shown in USD. Services: 4,941.00

- a. Enter the Term Duration
- b. Click on “Apply” and “Done”

Step 8.

Cisco Intersight

Bundle Configuration: UCS-M8-MLB | Estimated Lead Time: 21 days | Price List: DC-MGT-SAAS

Set service preferences for this configuration

The quantity of Cisco Intersight License under Offer: DC-MGT-SAAS should be equal to the quantity of Server selected. Please adjust the quantity. (CE200648)

DC-MGT-SAAS has been added to the bundle category CISCO INTERSIGHT.

Available Components

- CISCO UCS C245 M8
- CISCO INTERSIGHT
- DC-MGT-SAAS (Cisco Intersight SaaS) (b)
- CNDL-DESELECT-D (Conditional Deselect) (0.00)

CISCO UCS C245 M8 > 1 Selected (Min 0, Max 99999)

Product	Unit List Price (USD)	Adjusted List Price (USD)	Qty	Extended List Price (USD)
UCSC-C245-M8SX	24,996.10		1	99,271.45

Add a CISCO UCS C245 M8 from the left panel

CISCO INTERSIGHT > 1 Selected (Min 1, Max 1)

Product	Unit List Price (USD)	Adjusted List Price (USD)	Qty	Extended List Price (USD)
DC-MGT-SAAS	--		1	--

Requested Start Date: 17-Mar-2024 | Requested For: 36 Months From 17-Mar-2024 To 16-Mar-12 Months On 17-Mar-2027 (a) | Automatically Renews For: 1 | Billing Frequency: Prepaid Term

- a. It is recommended that Term Duration for HW Support align with Software Subscription Duration.

- b. Intersight is a required selection if you have not previously purchased Cisco Intersight Software. Please make selection by clicking “PLUS”. Click on “Edit Options” to configure.

Step 9.

The screenshot displays the configuration interface for Cisco Intersight. At the top, a green box highlights "Cisco Intersight" with a blue arrow pointing to another green box labeled "DC-MGT-SAAS". Below this, the "Requested Terms and Billing" section shows a "Requested Start Date" of 17-Mar-2024 and "Automatically Renews For" 12 Months On 17-Mar-2027. A warning message is visible, stating that Cisco will apply a standard lead time and that the requested start date (RSD) may not be honored. The "REQUESTED FOR" section indicates a duration of 36 Months from 17-Mar-2024 to 16-Mar-2027. The "Requested Start Date" section has a red arrow 'a' pointing to the date field (17-Mar-2024). The "End Date" section has a red arrow 'b' pointing to the "Effective For" field (36 Months). The "Auto Renewal" section has a red arrow 'b' pointing to the "On" toggle. The "Billing Frequency" section has a red arrow 'b' pointing to the "Prepaid Term" radio button. At the bottom right, there are "Cancel" and "Save Changes" buttons.

- a. **Requested Start Date (RSD)** is now dependent on HW Ship Date and will automatically starts when the HW ships. If you change the **RSD**, the Software will start either on the **RSD** you picked or the HW Ship Date whichever is later.
- b. **End Date** (duration in months) is defaulted to **36 Months**, **Auto Renewal** (on/off) is defaulted to **On** and **Billing Frequency** is defaulted to **Prepaid Term**. You can still change the setting accordingly.

Step 10.

Cisco Interight → **DC-MGT-SAAS**

Requested Terms and Billing

Requested Start Date: 17-Mar-2024
 Requested For: 36 Months From 17-Mar-2024 To 16-Mar-2027
 Automatically Renews For: 12 Months On 17-Mar-2027
 Billing Frequency: Prepaid Term

Please note that Cisco recommends Solution Support with Interight which solves complex issues on average 44% faster than product support. For complete details, please refer to the following URL: https://www.cisco.com/c/en_us/customer-experience/support/solution-support.html (CE202322)

Your subscription will start and be eligible to be invoiced: i) 30 days or less (7 days for A-FLEX/A-FLEX-3) after Cisco notifies you that any portion of the subscription is ready for you to provision OR, ii) the day any portion of the subscription is provisioned by Cisco, whichever of the two events happens first. (C01007)

Configuration Summary

SKU	Qty	List Price
Cisco Interight 2.0 Infrastructure Services		
DC-MGT-IS-SAAS-ES	1 Device	\$35.00 Per Device/Month
Cisco Interight Workload Optimizer (IWO) - SaaS		
Cisco Interight Support		
SVS-DCM-SUPT-BAS	1 Each	\$0.00 Per Each/Month
Total		\$1,260.00

DC-MGT-SAAS > Cisco Interight 2.0 Infrastructure Services

Device	SKU	Description	Unit List Price (USD)	Action
1	DC-MGT-IS-SAAS-ES	Infrastructure Services SaaS/CVA - Essentials	\$35.00 Per Device/Month	
Qty	DC-MGT-IS-SAAS-AD	Infrastructure Services SaaS/CVA - Advantage	Enter Qty to see List Price Per Device/Month	
Qty	DC-MGT-IS-PVAPP-ES	Infrastructure Services PVA - Essentials	Enter Qty to see List Price Per Device/Month	
Qty	DC-MGT-IS-PVAPP-AD	Infrastructure Services PVA - Advantage	Enter Qty to see List Price Per Device/Month	

Add-Ons

Device	SKU	Description	Unit List Price (USD)	Action
Qty	DC-MGT-IS-UCSD	UCS Director - 1 Server License (includes Network, Storage)	Enter Qty to see List Price Per Device/Month	

- a. The quantity of Cisco Interight 2.0 Infrastructure Services License under Offer: DC-MGT-SAAS should be equal to the quantity of Server selected. Enter the quantity.

Step 11.

Cisco Interight → **DC-MGT-SAAS**

Requested Terms and Billing

Requested Start Date: 17-Mar-2024
 Requested For: 36 Months From 17-Mar-2024 To 16-Mar-2027
 Automatically Renews For: 12 Months On 17-Mar-2027
 Billing Frequency: Prepaid Term

Please note that Cisco recommends Solution Support with Interight which solves complex issues on average 44% faster than product support. For complete details, please refer to the following URL: https://www.cisco.com/c/en_us/customer-experience/support/solution-support.html (CE202322)

Your subscription will start and be eligible to be invoiced: i) 30 days or less (7 days for A-FLEX/A-FLEX-3) after Cisco notifies you that any portion of the subscription is ready for you to provision OR, ii) the day any portion of the subscription is provisioned by Cisco, whichever of the two events happens first. (C01007)

Configuration Summary

SKU	Qty	List Price
Cisco Interight 2.0 Infrastructure Services		
DC-MGT-IS-SAAS-ES	1 Device	\$35.00 Per Device/Month
Cisco Interight Workload Optimizer (IWO) - SaaS		
Cisco Interight Support		
SVS-DCM-SUPT-BAS	1 Each	\$0.00 Per Each/Month
Total		\$1,260.00

DC-MGT-SAAS > Cisco Interight Support

Each	SKU	Description	Unit List Price (USD)	Action
Qty	SVS-SSTCS-DCMGMT	Solution Support for DC Mgmt	Enter Qty to see List Price Per Each/Month	
Qty	SVS-L1DCS-INTER	CXL1 for INTERSIGHT	Enter Qty to see List Price Per Each/Month	
Qty	SVS-L2DCS-INTER	CXL2 for INTERSIGHT	Enter Qty to see List Price Per Each/Month	
1	SVS-DCM-SUPT-BAS	Basic Support for DCM	\$0.00 Per Each/Month	

- a. The Cisco Interight License comes with separate Support. Basic Embedded Support is the default selection. It is recommended that Customer should upgrade to Solution Support or CX Success Track L1 or L2 for the HW.

Step 12.

Bundle Configuration: UCS-M8-MLB
 Estimated Lead Time: 21 days
 Price List: Global Price List (USD)
 Total: 100,531.45

Set service preferences for this configuration

Available Components (Unit List Price (USD))

- CISCO UCS C245 M8 (6,228.99)
- CISCO INTERSIGHT

CISCO UCS C245 M8 > 1 Selected (Min 0, Max 99999)

Product	Unit List Price (USD)	Adjusted List Price (USD)	Qty	Extended List Price (USD)
UCSC-C245-M8SX Valid		24,996.10	1	99,271.45

CISCO INTERSIGHT > 1 Selected (Min 1, Max 1)

Product	Unit List Price (USD)	Adjusted List Price (USD)	Qty	Extended List Price (USD)
DC-MGT-SAAS Valid		35.00	1	1,260.00

Configuration Summary (All prices shown in USD)

Total	100,531.45
Estimated Lead Time	21 days

- Configuration for MLB is completed when status of each Product is Valid and warning messages are cleared.
- Click on the “PLUS” to expand and view the selections made for each Product.
- Click on the “DONE” to complete the MLB Configuration.

Scenario 2: Customer With Enterprise Agreement for Cisco Intersight Software License

Step 1.

Set preferences for this estimate

Search by Sku , Program ID , Description and Product Family 1 Add Find Products & Solutions Actions

The product discounts are cascaded to subscription items, however subscription items may only be eligible for lower discounts. To apply the proper discount to subscription items, click on "MORE" and then, "Apply Discount".

Remove Selected Lines Apply Success Track More Filter By All Items

Hardware, Software and Services	Estimated Lead Time	Unit List Price (USD)	Qty	Unit Net Price (USD)	Discount (%)	Extended Net Price (USD)
1.0 UCS-M8-MLB UCS M8 RACK MLB Invalid as of 14-Mar-2024 04:59:07 PDT	Not Applicable	0.00	1	0.00	0.00	0.00

Select Options Validate Recommended Content Add Note More Actions Add Subtotal

- In CCW, search for UCS-M8-MLB PID and click on “Add”

b. Click on “Select Options” to enter the configurator.

Step 2.

The screenshot displays the Cisco UCS configurator interface. At the top, a bundle configuration summary shows 'UCSC-C245-M8SX' with an estimated lead time of 21 days and a total price of 7,928.25. Below this, a warning message states 'Please make a selection from CISCO INTERSIGHT. (CE100007)'. The main area is divided into 'Available Components' and a table of selected items. In the 'Available Components' section, 'UCSC-C245-M8SX' is listed with a unit list price of 6,228.99 and a plus sign next to it, annotated with a red 'a'. The table shows 'UCSC-C245-M8SX' as 'Invalid' with a unit list price of 7,928.25 and a quantity of 1, annotated with a red 'b'. Below the table, the 'Edit Options' link is highlighted with a red 'c'. A blue arrow points from the 'Cisco UCS C245 M8' header to the 'CPU', 'Memory', and 'Drives' configuration options. A 'Configuration Summary' box at the bottom right shows a total price of 7,928.25 and an estimated lead time of 21 days.

a. Select UCSC-C245-M8SX ATO from under MLB by clicking the “PLUS”.

b. Notice the UCSC-C245-M8SX ATO Status is now Invalid as further configuration needed.

c. Click on “Edit Options” to enter the configurator.

Step 3.

CISCO UCS C245 M8

Product Configuration: UCSC-C245-M8SX part of UCS-M8SX
 Estimated Lead Time: 21 days
 Total (USD): 6,281.25

UCSC-C245-M8SX

CPU
Memory
Drives

Configuration Summary

Category	Qty	Extended List Price (USD)
Processor		
Memory		
GPU Airduct		
PCIe Riser Option		
RAID Controller		
Front Facing Drive Option		
Rear Drive - Riser 1B/3B/3D		
PCIe MLOM		
PCIe OPTIONS		
Total		6,281.25
Estimated Lead Time		21 days

Processor

SKU	Qty	Estimated Lead Time	Unit List Price (USD)
UCS-CPU-A9754	Qty	21 days	25,496.38
UCS-CPU-A9734	Qty	21 days	20,918.55
UCS-CPU-A9654	Qty	21 days	22,661.77
UCS-CPU-A9634	Qty	21 days	20,482.74
UCS-CPU-A9554	Qty	21 days	19,611.14

Buttons: Cancel, Done

- Configure UCSC-C245-M8SX by selecting peripherals from category window on the left.
- PIDs are listed in the window on the right. Some PIDs like PCIe Riser and Drives are grouped according to type or series; select from the grouped options located above SKU window on the right.
- Follow warning messages to configure the minimum required option PIDs.
- Click on “Done” when completed.

Step 4.

Cisco UCS C245 M8

Product Configuration: UCSC-C245-M8SX part of UCS-M8-MLB. Estimated Lead Time: 21 days. Global Price: 105,062.71 USD.

Warning messages:

- 1: A selection of Standard License or Education License or NVIDIA Opt Out is required when GPU is selected. Please make a selection.
- 2: Use Power Calculator to determine the correct power supply. The Power Calculator can be found at <http://ucspowercalculator.com>.
- 3: UCSX-TPM2002B-C is defaulted under Security Options. (CE100033)

Configuration Summary

Category	Qty	Extended List Price (USD)
PCIe OPTIONS		
R1A Slot1 x8 FH		
UCSC-GPU-L4	1	10,854.00
R1C Slot1 x16 FH		
R1A1C Slot2 x16 FH		
R1A Slot3 x8 FH		
R2A Slot4 x8 FH		
R2C Slot4 x16 FH		
Total		105,062.71
Estimated Lead Time		21 days

Option Search | Multiple Options Search

UCSC-C245-M8SX > R1A Slot1 x8 FH

PCIe VIC | PCIe NIC | PCIe - HBA | PCIe M.2 NVMe BOOT RAID Controller | PCIe - External Storage HBA | PCIe - GPU | **Standard License** | Education License | NVIDIA Opt Out

SKU	Qty	Estimated Lead Time	Unit List Price (USD)
UCSC-GPU-L4	1	21 days	10,854.00
NVIDIA L4-70W, 24GB, 1-slot HHHHL GPU			

Buttons: Reset Configuration, Cancel, Done

- NVIDIA GPU Licenses are now removed from the GPU HW, i.e. GPU is no longer configurable.
- NVIDIA GPU Licenses are now structured at the same level of GPU highlighted with red box.
- Once GPU HW is selected, Warning Rule/ Message is popped out which requires customer to select NVIDIA Licenses.
- Click on "Done"

Step 5.

Cisco UCS C245 M8

Bundle Configuration: UCS-M8-MLB. Estimated Lead Time: 21 days. Global Price: 95,977.45 USD.

Warning message: Please make a selection from CISCO INTERSIGHT. (CE100007)

Available Components

Component	Unit List Price (USD)
CISCO UCS C245 M8	6,228.99
UCSC-C245-M8SX	6,228.99
UCS C245M8 Rack w/oCPU, mem, drv, 2Uw24SFF HDD/SSD backplane	
Estimated Lead Time: --	

CISCO UCS C245 M8 > 1 Selected (Min 0, Max 99999)

Product	Unit List Price (USD)	Adjusted List Price (USD)	Qty	Extended List Price (USD)
UCSC-C245-M8SX	21,702.10	21,702.10	1	95,977.45
UCS C245M8 Rack w/oCPU, mem, drv, 2Uw24SFF HDD/SSD backplane				

CISCO INTERSIGHT > 0 Selected (Min 1, Max 1)

Configuration Summary | All prices shown in USD

Total	95,977.45
Estimated Lead Time	21 days

Buttons: Cancel, Done

- a. Note Status is now showing as Valid.
- b. Increase the quantity for multiples of same configuration.
- c. Click the “PLUS” to add and configure the same product with different option/quantities or select a different product.

Step 6.

Bundle Configuration
UCS-M8-MLB

Estimated Lead Time
21 days

UCSC-C245-M8SX

Global Price

Services/Subscriptions

Set service preferences for this configuration

⚠ Please make a selection from CISCO INTERSIGHT. (CE100007)

Available Components	Unit List Price (USD)
CISCO UCS C245 M8	6,228.99
CISCO INTERSIGHT	

Product	Unit List Price (USD)	Adjusted List Price (USD)	Qty	Extended List Price (USD)
UCSC-C245-M8SX Valid	21,702.10	21,702.10	1	95,977.45

Configuration Summary All prices shown in USD

Total	95,977.45
Estimated Lead Time	21 days

- a. Click on “Edit Services/Subscriptions” to edit Term Duration for HW Support.

Note: It is recommended that Term Duration for HW Support must align with Software Subscription Duration.

Step 7.

Cisco UCS C245 M8

Service Subscription: UCSC-C245-M8SX | Price List: Global Price List | Service Total (USD): 941.00 | Subscription Total (USD): 0.00

UCSC-C245-M8SX → **Services/Subscriptions**

Service Options

Choose Service Level from: All Service Programs

Time Duration: Duration (36) | Delay service start to | Co-Term service to

Service SKUs

Service SKU	Product SKU	Unit List Price (USD)	Qty	Total List Price (USD)
Cisco Customer Experience Level 1 (1 ITEM)	L1NCO (CX LEVEL 1 8X7XNCDOS)		1	4,941.00
CON-L1NCO-UCSCM8SX	UCSC-C245-M8SX	4,941.00	1	4,941.00

Configuration Summary | All prices shown in USD | Services: 4,941.00

- a. Enter the Term Duration
- b. Click on “Apply” and “Done”

Step 8.

Cisco Intersight

Bundle Configuration: UCS-M8-MLB | Estimated Lead Time: 21 days | Price List: Global Price List | Total: 0.00

CNDL-DESELECT-D

Please note that Intersight is required selection and needed for the M8 Server to function. All orders with CNDL-DESELECT-D will be manually reviewed for Compliance. (CE202322)

CNDL-DESELECT-D has been added to the bundle category CISCO INTERSIGHT.

Available Components

Component	Unit List Price (USD)
CISCO UCS C245 M8	0.00
CISCO INTERSIGHT	0.00
DC-MGT-SAAS	0.00
CNDL-DESELECT-D	0.00

CISCO UCS C245 M8 > 1 Selected (Min 0, Max 99999)

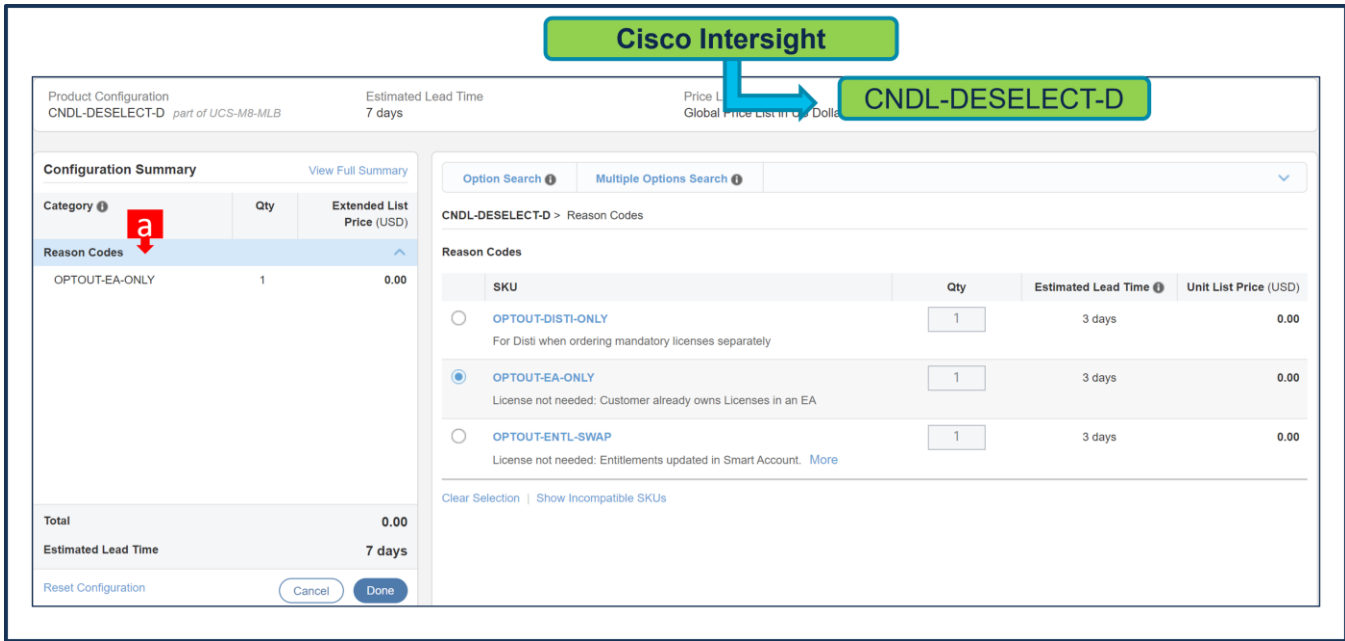
Product	Unit List Price (USD)	Adjusted List Price (USD)	Qty	Extended List Price (USD)
UCSC-C245-M8SX	24,996.10	24,996.10	1	99,271.45

CISCO INTERSIGHT > 1 Selected (Min 1, Max 1)

Product	Unit List Price (USD)	Adjusted List Price (USD)	Qty	Extended List Price (USD)
CNDL-DESELECT-D	0.00	0.00	1	0.00

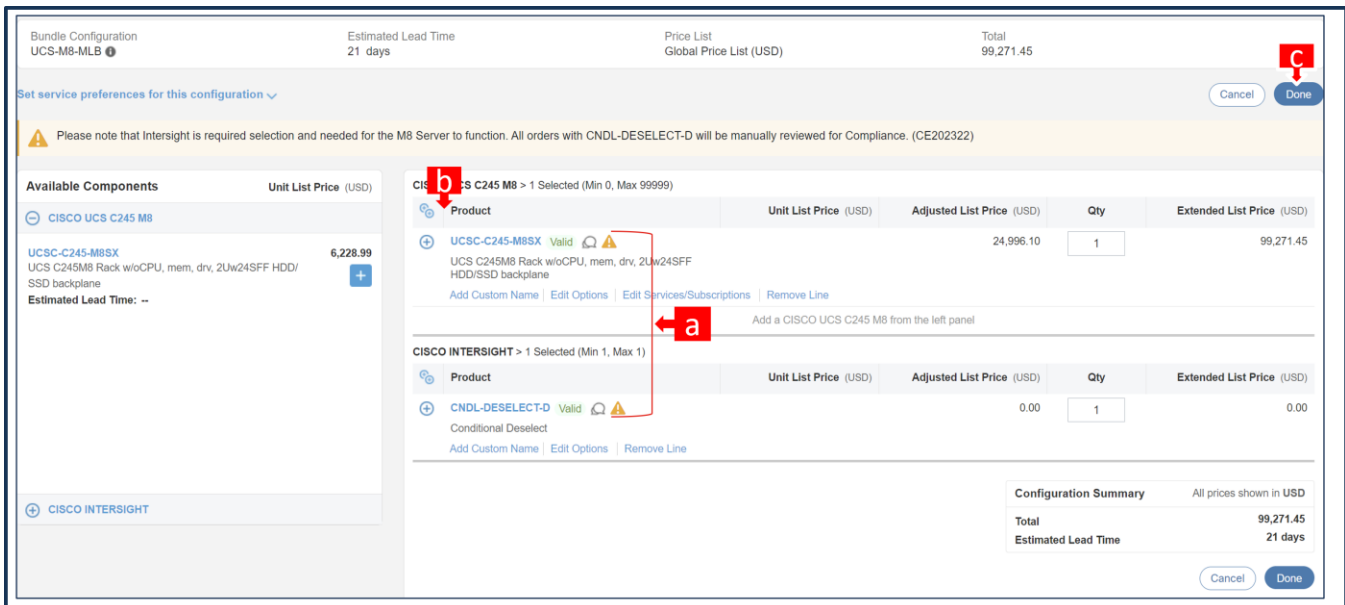
- a. CNDL-DESELECT-D is meant to select only if Customer has already purchased Cisco Intersight License via EA Contract or order is for Disti Fulfillment. Please make selection by clicking “PLUS”.
- a. Please note that Intersight is required selection and needed for the Server to function. Click on Select Options to configure.

Step 9.



a. Please select appropriate Reason Code.

Step 10.



- Configuration for MLB is completed when status of each Product is Valid and warning messages are cleared.
- Click on the “PLUS” to expand and view the selections made for each Product.
- Click on the “DONE” to complete the MLB Configuration.

Buy Method Through Distributor (Eg: Direct Customer & Tier 1 Partners)

Scenario 1: Customer Without Enterprise Agreement for Cisco InterSight Software License

Step 1.

Set preferences for this estimate

Search by Sku , Program ID , Description and Product Family 1 Add Find Products & Solutions Actions

The product discounts are cascaded to subscription items, however subscription items may only be eligible for lower discounts. To apply the proper discount to subscription items, click on "MORE" and then, "Apply Discount".

Remove Selected Lines Apply Success Track More Filter By All Items

	Hardware, Software and Services	Estimated Lead Time	Unit List Price (USD)	Qty	Unit Net Price (USD)	Discount (%)	Extended Net Price (USD)
	1.0 UCS-M8-MLB more UCS M8 RACK MLB Invalid as of 14-Mar-2024 04:59:07 PDT	Not Applicable	0.00	1	0.00	0.00	0.00

Select Options Validate Recommended Content Add Note More Actions Add Subtotal

- In CCW, search for UCS-M8-MLB PID and click on “Add”
- Click on “Select Options” to enter the configurator.

Step 2.

Bundle Configuration UCS-M8-MLB Est. 21 days UCSC-C245-M8SX Total 7,928.25

Set service preferences for this configuration

Please make a selection from CISCO INTERSIGHT. (CE100007)

UCSC-C245-M8SX has been added to the bundle category CISCO UCS C245 M8.

Available Components	Unit List Price (USD)	CISCO UCS C245 M8 > 1 Selected (Min 0, Max 99999)	Unit List Price (USD)	Adjusted List Price (USD)	Qty	Extended List Price (USD)
CISCO UCS C245 M8		UCSC-C245-M8SX Invalid	7,928.25	7,928.25	1	7,928.25

Configuration Summary All prices shown in USD

Total	7,928.25
Estimated Lead Time	21 days

- Select UCSC-C245-M8SX ATO from under MLB by clicking the “PLUS”.
- Notice the UCSC-C245-M8SX ATO Status is now Invalid as further configuration needed.

c. Click on “Edit Options” to enter the configurator.

Step 3.

CISCO UCS C245 M8

Product Configuration: UCSC-C245-M8SX part of UCS-M8-M8
Estimated Lead Time: 21 days
Total (USD): 6,281.25

UCSC-C245-M8SX

CPU
Memory
Drives

Configuration Summary

Category	Qty	Extended List Price (USD)
Processor		
Memory		
GPU Airduct		
PCIe Riser Option		
RAID Controller		
Front Facing Drive Option		
Rear Drive - Riser 1B/3B/3D		
PCIe MLOM		
PCIe OPTIONS		
Total		6,281.25
Estimated Lead Time		21 days

Processor

SKU	Qty	Estimated Lead Time	Unit List Price (USD)
<input type="radio"/> UCS-CPU-A9754 AMD 9754 2.25GHz 360W 128C/256MB Cache DDR5 4800MT/s	Qty	21 days	25,496.38
<input type="radio"/> UCS-CPU-A9734 AMD 9734 2.2GHz 340W 112C/256MB Cache DDR5 4800MT/s	Qty	21 days	20,918.55
<input type="radio"/> UCS-CPU-A9654 AMD 9654 2.4GHz 360W 96C/384MB Cache DDR5 4800MT/s	Qty	21 days	22,661.77
<input type="radio"/> UCS-CPU-A9634 AMD 9634 2.25GHz 290W 84C/384MB Cache DDR5 4800MT/s	Qty	21 days	20,482.74
<input type="radio"/> UCS-CPU-A9554 AMD 9554 3.1GHz 360W 64C/256MB Cache DDR5 4800MT/s	Qty	21 days	19,611.14

Warning Messages:

- 1: A selection from PSU-Input High Line 220VAC or PSU-Input Low Line 110VAC is required. Please adjust the selections. (CE200122)
- 2: A selection of UCSC-RAIL-D or UCSC-RAIL-NONE-D is required from Rail Kit. Please adjust the selections. (CE200122)
- 3: UCSX-TPM2002B-C is defaulted under Security Options. (CE100033)
- 4: UCSC-C245-M8SX quantity 1 requires a minimum quantity of 1 from Processor (CE100012)
- 5: UCSC-C245-M8SX requires a minimum of 1 and a maximum of 1 for PCIe Riser Option. (CE400015)

Buttons: Cancel, Done

- Configure UCSC-C245-M8SX by selecting peripherals from category window on the left.
- PIDs are listed in the window on the right. Some PIDs like PCIe Riser and Drives are grouped according to type or series; select from the grouped options located above SKU window on the right.
- Follow warning messages to configure the minimum required option PIDs.
- Click on “Done” when completed.

Step 4.

Cisco UCS C245 M8

Product Configuration: UCSC-C245-M8SX (part of UCS-M8-MLB) | Estimated Lead Time: 21 days | Price List: Global Price List (USD) | Total: 105,062.71

Warning: 1: A selection of Standard License or Education License or NVIDIA Opt Out is required when GPU is selected. Please refer to the license selection page for more information. 2: Use Power Calculator to determine the correct power supply. The Power Calculator can be found at http://ucspowercalculator.com. 3: UCSX-TPM2002B-C is defaulted under Security Options. (CE100033)

Configuration Summary

Category	Qty	Extended List Price (USD)
PCIe Options		
R1A Slot1 x8 FH		
UCSC-GPU-L4	1	10,854.00
R1C Slot1 x16 FH		
R1A1C Slot2 x16 FH		
R1A Slot3 x8 FH		
R2A Slot4 x8 FH		
R2C Slot4 x16 FH		
Total		105,062.71
Estimated Lead Time		21 days

Option Search | Multiple Options Search

UCSC-C245-M8SX > R1A Slot1 x8 FH

PCIe VIC | PCIe NIC | PCIe - HBA | PCIe M.2 NVMe BOOT RAID Controller | PCIe - External Storage HBA | PCIe - GPU | **Standard License** | Education License | NVIDIA Opt Out

SKU	Qty	Estimated Lead Time	Unit List Price (USD)
UCSC-GPU-L4	1	21 days	10,854.00
NVIDIA L4-70W, 24GB, 1-slot HHHHL GPU			

Clear Selection | Show Incompatible SKUs

Buttons: Reset Configuration, Cancel, Done

- NVIDIA GPU Licenses are now removed from the GPU HW, i.e. GPU is no longer configurable.
- NVIDIA GPU Licenses are now structured at the same level of GPU highlighted with red box.
- Once GPU HW is selected, Warning Rule/ Message is popped out which requires customer to select NVIDIA Licenses.
- Click on "Done"

Step 5.

CISCO UCS C245 M8

Bundle Configuration: UCS-M8-MLB | Estimated Lead Time: 21 days | Price List: Global Price List (USD) | Total: 95,977.45

Warning: Please make a selection from CISCO INTERSIGHT. (CE100007)

Available Components

Component	Unit List Price (USD)
CISCO UCS C245 M8	6,228.99
CISCO INTERSIGHT	

CISCO UCS C245 M8 > 1 Selected (Min 0, Max 99999)

Product	Unit List Price (USD)	Adjusted List Price (USD)	Qty	Extended List Price (USD)
UCSC-C245-M8SX	21,702.10	21,702.10	1	95,977.45
UCS C245M8 Rack w/oCPU, mem, drv, 2Uw24SFF HDD/SSD backplane				

Buttons: Cancel, Done

Configuration Summary | All prices shown in USD

Total	95,977.45
Estimated Lead Time	21 days

Buttons: Cancel, Done

- a. Note Status is now showing as Valid.
- b. Increase the quantity for multiples of same configuration.
- c. Click the “PLUS” to add and configure the same product with different option/quantities or select a different product.

Step 6.

Cisco UCS C245 M8

UCSC-C245-M8SX → **Services/Subscriptions**

Bundle Configuration: UCS-M8-MLB | Estimated Lead Time: 21 days

Set service preferences for this configuration

⚠ Please make a selection from CISCO INTERSIGHT. (CE100007)

Available Components	Unit List Price (USD)
CISCO UCS C245 M8	6,228.99
CISCO INTERSIGHT	

Product	Unit List Price (USD)	Adjusted List Price (USD)	Qty	Extended List Price (USD)
UCSC-C245-M8SX Valid ⚠	21,702.10	21,702.10	1	95,977.45

Configuration Summary | All prices shown in USD

Total	95,977.45
Estimated Lead Time	21 days

- a. Click on “Edit Services/Subscriptions” to edit Term Duration for HW Support.

Note: It is recommended that Term Duration for HW Support must align with Software Subscription Duration.

Step 7.

Cisco UCS C245 M8

Service Subscription: UCSC-C245-M8SX | Price List: Global Price List | Service Total (USD): 941.00 | Subscription Total (USD): 0.00

UCSC-C245-M8SX | **Services/Subscriptions**

The duration that you entered has been successfully applied to all the services. (C0329)

Service Options

Choose Service Level from: All Service Programs

Search by Name & Description

Note: Cisco may still install another compatible service if required. Compatible services are the services that come with primary service and are based on products.

Time Duration: Duration (36) | Delay service start to | Co-Term service to

Buttons: Reset, Apply

Service SKU	Product SKU	Unit List Price (USD)	Qty	Total List Price (USD)
Cisco Customer Experience Level 1 (1 ITEM)	L1NCO (CX LEVEL 1 8X7XNCDOS)			
CON-L1NCO-UCSCM8SX	UCSC-C245-M8SX	4,941.00	1	4,941.00
CX LEVEL 1 8X7XNCDOS UCS C245M8 Rack w/oCP...	UCS C245M8 Rack w/oCPU, mem, drv, 2Uw24SFF HD...		1	

Configuration Summary: All prices shown in USD | Services: 4,941.00

Buttons: Cancel, Done

- a. Enter the Term Duration
- b. Click on “Apply” and “Done”

Step 8.

Cisco InterSight

Bundle Configuration: UCS-M8-MLB | Estimated Lead Time: 21 days | Price List: Global | Total: 0.00

CNDL-DESELECT-D

Please note that InterSight is required selection and needed for the M8 Server to function. All orders with CNDL-DESELECT-D will be manually reviewed for Compliance. (CE202322)

CNDL-DESELECT-D has been added to the bundle category CISCO INTERSIGHT.

Available Components

Component	Unit List Price (USD)
CISCO UCS C245 M8	
CISCO INTERSIGHT	
DC-MGT-SAAS	0.00
Cisco InterSight SaaS	
CNDL-DESELECT-D	
Conditional Deselect	
Estimated Lead Time: 7 days	

CISCO UCS C245 M8 > 1 Selected (Min 0, Max 99999)

Product	Unit List Price (USD)	Adjusted List Price (USD)	Qty	Extended List Price (USD)
UCSC-C245-M8SX		24,996.10	1	99,271.45
UCS C245M8 Rack w/oCPU, mem, drv, 2Uw24SFF HDD/SSD backplane				

CISCO INTERSIGHT > 1 Selected (Min 1, Max 1)

Product	Unit List Price (USD)	Adjusted List Price (USD)	Qty	Extended List Price (USD)
CNDL-DESELECT-D		0.00	1	0.00
Conditional Deselect				

- a. CNDL-DESELECT-D is meant to select only if Customer has already purchased Cisco InterSight License via EA Contract or order is for Disti Fulfillment. Please make selection by clicking “PLUS”.

- b. Please note that Intersight is required selection and needed for the Server to function. Click on Select Options to configure.

Step 9.

Product Configuration: CNDL-DESELECT-D part of UCS-M8-MLB | Estimated Lead Time: 7 days | Price List: Global Price List (USD) | Total (USD): 0.00

Configuration Summary | View Full Summary

Category	Qty	Extended List Price (USD)
Reason Codes		
OPTOUT-DISTI-ONLY	1	0.00

Reason Codes

SKU	Qty	Estimated Lead Time	Unit List Price (USD)
<input checked="" type="radio"/> OPTOUT-DISTI-ONLY For Disti when ordering mandatory licenses separately	1	3 days	0.00
<input type="radio"/> OPTOUT-EA-ONLY License not needed: Customer already owns Licenses in an EA	1	3 days	0.00
<input type="radio"/> OPTOUT-ENTL-SWAP License not needed: Entitlements updated in Smart Account. More	1	3 days	0.00

Clear Selection | Show Incompatible SKUs

Total: 0.00 | Estimated Lead Time: 7 days

Buttons: Reset Configuration, Cancel, Done

- a. Please select appropriate Reason Code.

Step 10.

Bundle Configuration: UCS-M8-MLB | Estimated Lead Time: 21 days | Price List: Global Price List (USD) | Total: 99,271.45

Set service preferences for this configuration

⚠ Please note that Intersight is required selection and needed for the M8 Server to function. All orders with CNDL-DESELECT-D will be manually reviewed for Compliance. (CE202322)

Available Components | Unit List Price (USD)

CISCO UCS C245 M8	
UCSC-C245-M8SX UCS C245M8 Rack w/oCPU, mem, drv, 2Uw24SFF HDD/SSD backplane Estimated Lead Time: --	6,228.99

Product | Unit List Price (USD) | Adjusted List Price (USD) | Qty | Extended List Price (USD)

<input checked="" type="checkbox"/> UCS C245 M8 > 1 Selected (Min 0, Max 99999) UCSC-C245-M8SX Valid UCS C245M8 Rack w/oCPU, mem, drv, 2Uw24SFF HDD/SSD backplane Add Custom Name Edit Options Edit Services/Subscriptions Remove Line	24,996.10		1	99,271.45
---	-----------	--	---	-----------

CISCO INTERSIGHT > 1 Selected (Min 1, Max 1)

<input checked="" type="checkbox"/> CNDL-DESELECT-D Valid Conditional Deselect Add Custom Name Edit Options Remove Line	0.00		1	0.00
---	------	--	---	------

Configuration Summary | All prices shown in USD

Total	99,271.45
Estimated Lead Time	21 days

Buttons: Cancel, Done

- a. Configuration for MLB is completed when status of each Product is Valid and warning messages are cleared.
- b. Click on the “PLUS” to expand and view the selections made for each Product.

Step 11. Click on the “DONE” to complete the MLB Configuration.

Set preferences for this estimate ▾

Search by Sku , Program ID , Description and Product Family 1 Add Find Products & Solutions Actions ▾

Cisco Intersight → **DC-MGT-SAAS**

a → Edit Options | Validate | Recommended Content | Add Note | More Actions ▾ Add Subtotal

<input type="checkbox"/>	Hardware, Software and Services	Estimated Lead Time ⓘ	Unit List Price (USD)	Qty	Unit Net Price (USD)	Discount (%)	Extended Net Price (USD)
<input type="checkbox"/>	1.0 UCS-M8-MLB more ⓘ UCS M8 RACK MLB Valid as of 09-May-2024 12:52:43 PDT	21 days	42,102.32	1	42,102.32	0.00	98,622.45

- a. Configuration of UCS-M8-MLB is now Valid and Line No. 1.0 represents HW only Configuration.
- b. Intersight is a required selection, if you have not previously purchased Cisco Intersight Software and needs to add in Line 2.0 which will represent SW only Configuration.

Step 12.

Cisco Intersight

↓

DC-MGT-SAAS

Set preferences for this estimate ▾

Search by Sku , Program ID , Description and Product Family 1 **Add** a Find Products & Solutions | Actions ▾

i The product discounts are cascaded to subscription items, however subscription items may only be eligible for lower discounts. To apply the proper discount to subscription items, click on "MORE" and then, "Apply Discount".

Remove Selected Lines Apply Success Track More ▾ Filter By All Items ▾

<input type="checkbox"/>	Hardware, Software and Services	Estimated Lead Time i	Unit List Price (USD)	Qty	Unit Net Price (USD)	Discount (%)	Extended Net Price (USD)
<input type="checkbox"/>	1.0 UCS-M8-MLB more UCS M8 RACK MLB Valid as of 09-May-2024 12:52:43 PDT Edit Options Validate Recommended Content Add Note More Actions ▾	21 days	42,102.32	1	42,102.32	0.00	98,622.45
b → <input type="checkbox"/>	2.0 DC-MGT-SAAS more Cisco Intersight SaaS Valid as of 09-May-2024 01:00:35 PDT Requested Start Date 12-May-2024 Requested For Initial Term 36 Months From 12-May-2024 To 11-May-2027 Automatically Renews For i 12 Months From 12-May-2027 Billing Frequency Prepaid Term Edit Options Validate Recommended Content Add Note More Actions ▾	3 days	0.00 MRC	1	0.00	0.00	0.00 Total of MRC

- a. In CCW, search for DC-MGT-SAAS PID and click on “Add”
- b. Intersight is a required selection, if you have not previously purchased Cisco Intersight Software. Click on Select Options to enter the configurator.

Step 13.

Cisco Intersight

→ **DC-MGT-SAAS**

Current Terms and Billings

Requested Start Date 25-Mar-2024	Automatically Renews For ⓘ 12 Months on 25-Mar-2027
Requested For 36 Months From 25-Mar-2024 To 24-Mar-2027	Billing Frequency Prepaid Term

New Terms and Billing

Requested For > 36 Months from 25-Mar-2024 to 24-Mar-2027

Auto Renewal <input checked="" type="checkbox"/> On a	Billing Frequency ⓘ b Prepaid Term
Automatically Renews For ⓘ 12 Months on 25-Mar-2027 <i>Enter any whole month value from 0-12</i>	End Date <input checked="" type="radio"/> Effective For 36 Months <i>Enter whole month count from 1 to 96</i> <input type="radio"/> Co-Term to an End Date ⓘ
Requested Start Date a 25 Mar 2024 <i>Enter a date between 22-Mar-2024 & 19-Jun-2024.</i>	

- a. **Requested Start Date (RSD)** is now dependent on HW Ship Date and will automatically starts when the HW ships. If you change the RSD, the Software will start either on the RSD you picked or the HW Ship Date whichever is later.
- b. **End Date** (duration in months) is defaulted to 36 Months, Auto Renewal (on/off) is defaulted to On and Billing Frequency is defaulted to Prepaid Term. You can still change the setting accordingly.

Step 14.

Cisco Intersight

DC-MGT-SAAS

Subscription USD 5,040.00 Service USD 0.00

PRODUCTS	UNIT LIST PRICE	STATUS	QUANTITY	ACTION
Cisco Intersight 2.0 Infrastructure Services				
Infrastructure Services SaaS/CVA - Essentials DC-MGT-IS-SAAS-ES SA	35.00 Per Device/Month	Added	4 Device	Delete
Infrastructure Services SaaS/CVA - Advantage DC-MGT-IS-SAAS-AD SA	Enter Qty to see List Price Per Device/Month	Not Added	Qty Device	+ Add
Infrastructure Services PVA - Essentials DC-MGT-IS-PVAPP-ES SA	Enter Qty to see List Price Per Device/Month	Not Added	Qty Device	+ Add
Infrastructure Services PVA - Advantage DC-MGT-IS-PVAPP-AD SA	Enter Qty to see List Price Per Device/Month	Not Added	Qty Device	+ Add
Add-Ons				
UCS Director - 1 Server License (includes Network, Storage) DC-MGT-IS-UCSD	Enter Qty to see List Price Per Device/Month	Not Added	Qty Device	+ Add

Configuration Summary

PRODUCTS	QUANTITY	EXTENDED LIST PRICE
Cisco Intersight 2.0 Infrastructure Services		
DC-MGT-IS-SAAS-ES SA 35.00 Per Device/Month x 36 Months	4 Device	5,040.00
Cisco Intersight Support		
SVS-DCM-SUPT-BAS	1 Each	0.00
Auto Expansion		
DC-MGT-UCSC-1S SA	4 Device	0.00
DC-MGT-ADOPT-BAS	1 License	0.0000

- c. The quantity of Cisco Intersight 2.0 Infrastructure Services License under Offer: DC-MGT-SAAS should be equal to the quantity of Server selected. Enter the quantity.

Step 15.

Cisco Intersight

DC-MGT-SAAS

Subscription USD 5,040.00 Service USD 0.00

PRODUCTS	UNIT LIST PRICE	STATUS	QUANTITY	ACTION
Cisco Intersight Support				
Solution Support for DC Mgmt SVS-SSTCS-DCMGMT SA	Enter Qty to see List Price Per Each/Month	Not Added	Qty Each	Swap
CXL1 for INTERSIGHT SVS-L1DCS-INTER SA	Enter Qty to see List Price Per Each/Month	Not Added	Qty Each	Swap
CXL2 for INTERSIGHT SVS-L2DCS-INTER SA	Enter Qty to see List Price Per Each/Month	Not Added	Qty Each	Swap
Basic Support for DCM SVS-DCM-SUPT-BAS	0.00 Per Each/Month	Added	1 Each	Delete

Configuration Summary

PRODUCTS	QUANTITY	EXTENDED LIST PRICE
Cisco Intersight 2.0 Infrastructure Services		
DC-MGT-IS-SAAS-ES SA 35.00 Per Device/Month x 36 Months	4 Device	5,040.00
Cisco Intersight Support		
SVS-DCM-SUPT-BAS	1 Each	0.00
Auto Expansion		
DC-MGT-UCSC-1S SA	4 Device	0.00
DC-MGT-ADOPT-BAS	1 License	0.0000

- a. The Cisco Intersight License comes with separate Support. Basic Embedded Support is the default selection. It is recommended that Customer should upgrade to Solution Support or CX Success Track L1 or L2 for the HW.

Step 16.

	Hardware, Software and Services	Estimated Lead Time ⓘ	Unit List Price (USD)	Qty	Unit Net Price (USD)	Discount (%)	Extended Net Price (USD)
<input type="checkbox"/>	1.0 UCS-M8-MLB Q-NO more ▶ UCS M8 RACK MLB Valid as of 09-May-2024 12:52:43 PDT Edit Options Validate Recommended Content Add Note More Actions ▼	21 days	42,102.32	1	42,102.32	0.00	98,622.45
a →	2.0 DC-MGT-SAAS SA more ▶ Cisco Intersight SaaS Valid as of 09-May-2024 01:05:51 PDT Requested Start Date: 12-May-2024 Requested For Initial Term: 36 Months From 12-May-2024 To 11-May-2027 Automatically Renews For ⓘ: 12 Months From 12-May-2027 Billing Frequency: Prepaid Term Edit Options Validate Recommended Content Add Note More Actions ▼	3 days	70.00 MRC	1	70.00	0.00	2,520.00 Total of MRC

- a. Configuration for UCS-M8-MLB and DC-MGT-SAAS is now completed, and status of each Product is Valid.
- b. Click on the “PLUS” to expand and view the selections made for each Product.

Scenario 2: Customer With Enterprise Agreement for Cisco Intersight Software License

Step 1.

CCW

→

UCS-M8-MLB

Set preferences for this estimate ▼

Search by Sku , Program ID , Description and Product Family 1 **Add** **a** Find Products & Solutions | Actions ▼

The product discounts are cascaded to subscription items, however subscription items may only be eligible for lower discounts. To apply the proper discount to subscription items, click on "MORE" and then, "Apply Discount".

Remove Selected Lines
Apply Success Track
More ▼
Filter By All Items ▼

	Hardware, Software and Services	Estimated Lead Time ⓘ	Unit List Price (USD)	Qty	Unit Net Price (USD)	Discount (%)	Extended Net Price (USD)
<input type="checkbox"/>	1.0 UCS-M8-MLB more ▶ UCS M8 RACK MLB ⚠ Invalid as of 14-Mar-2024 04:59:07 PDT b → Select Options Validate Recommended Content Add Note More Actions ▼	Not Applicable	0.00	1	0.00	0.00	0.00

- a. In CCW, search for UCS-M8-MLB PID and click on “Add”
- b. Click on “Select Options” to enter the configurator.

Step 2.

The screenshot shows the Cisco configuration interface. At the top, a green box labeled "Cisco UCS C245 M8" has an arrow pointing to a table of components: CPU, Memory, and Drives. The main interface shows a bundle configuration for "UCSC-C245-M8SX" with an estimated lead time of 21 days and a total price of 7,928.25. A warning message states: "Please make a selection from CISCO INTERSIGHT. (CE100007)". A notification indicates that "UCSC-C245-M8SX has been added to the bundle category CISCO UCS C245 M8." The "Available Components" section lists "CISCO UCS C245 M8" with a unit list price of 6,228.99 and a plus sign next to it, labeled with a red 'a'. The main table shows "UCSC-C245-M8SX" with a status of "Invalid", a unit list price of 7,928.25, and a quantity of 1, labeled with a red 'b'. Below the table, there are sections for "CISCO UCS C245 M8" and "CISCO INTERSIGHT" with plus signs and labels 'c' and 'c' respectively. A "Configuration Summary" box at the bottom right shows a total price of 7,928.25 and an estimated lead time of 21 days. Buttons for "Cancel" and "Done" are visible.

- a. Select UCSC-C245-M8SX ATO from under MLB by clicking the “PLUS”.
- b. Notice the UCSC-C245-M8SX ATO Status is now Invalid as further configuration needed.
- c. Click on “Edit Options” to enter the configurator.

Step 3.

CISCO UCS C245 M8

Product Configuration: UCSC-C245-M8SX part of UCS-M8SX
 Estimated Lead Time: 21 days
 Total (USD): 6,281.25

UCSC-C245-M8SX

Warning messages:
 1: A selection from PSU-Input High Line 220VAC or PSU-Input Low Line 110VAC is required. Please adjust the selections. (CE200122)
 2: A selection of UCSC-RAIL-D or UCSC-RAIL-NONE-D is required from Rail Kit. Please adjust the selections. (CE200122)
 3: UCSX-TPM2002B-C is defaulted under Security Options. (CE100033)
 4: UCSC-C245-M8SX quantity 1 requires a minimum quantity of 1 from Processor (CE100012)
 5: UCSC-C245-M8SX requires a minimum of 1 and allows maximum of 3 from PCIe-Blade-Option (CE100015)

Configuration Summary

Category	Qty	Extended List Price (USD)
Processor		
Memory		
GPU Airduct		
PCIe Riser Option		
RAID Controller		
Front Facing Drive Option		
Rear Drive - Riser 1B/3B/3D		
PCIe MLOM		
PCIe OPTIONS		
Total		6,281.25
Estimated Lead Time		21 days

Processor Options

SKU	Qty	Estimated Lead Time	Unit List Price (USD)
UCS-CPU-A9754	Qty	21 days	25,496.38
UCS-CPU-A9734	Qty	21 days	20,918.55
UCS-CPU-A9654	Qty	21 days	22,661.77
UCS-CPU-A9634	Qty	21 days	20,482.74
UCS-CPU-A9554	Qty	21 days	19,611.14

Buttons: Cancel, Done

- Configure UCSC-C245-M8SX by selecting peripherals from category window on the left.
- PIDs are listed in the window on the right. Some PIDs like PCIe Riser and Drives are grouped according to type or series; select from the grouped options located above SKU window on the right.
- Follow warning messages to configure the minimum required option PIDs.
- Click on "Done" when completed.

Step 4.

- a. NVIDIA GPU Licenses are now removed from the GPU HW, i.e. GPU is no longer configurable.
- b. NVIDIA GPU Licenses are now structured at the same level of GPU highlighted with red box.
- c. Once GPU HW is selected, Warning Rule/ Message is popped out which requires customer to select NVIDIA Licenses.
- d. Click on “Done”

Step 5.

- a. Note Status is now showing as Valid.
- b. Increase the quantity for multiples of same configuration.
- c. Click the “PLUS” to add and configure the same product with different option/quantities or select a different product.

Step 6.

Cisco UCS C245 M8

UCSC-C245-M8SX **Services/Subscriptions**

Bundle Configuration: UCS-M8-MLB Estimated Lead Time: 21 days

Set service preferences for this configuration Cancel Done

Warning: Please make a selection from CISCO INTERSIGHT. (CE100007)

Available Components	Unit List Price (USD)
CISCO UCS C245 M8	
UCSC-C245-M8SX UCS C245M8 Rack w/oCPU, mem, drv, 2Uw24SFF HDD/SSD backplane Estimated Lead Time: --	6,228.99

Product	Unit List Price (USD)	Adjusted List Price (USD)	Qty	Extended List Price (USD)
UCSC-C245-M8SX Valid	21,702.10	21,702.10	1	95,977.45

Configuration Summary All prices shown in USD

Total	95,977.45
Estimated Lead Time	21 days

- a. Click on “Edit Services/Subscriptions” to edit Term Duration for HW Support.

Note: It is recommended that Term Duration for HW Support must align with Software Subscription Duration.

Step 7.

Cisco UCS C245 M8

Service Subscription: UCSC-C245-M8SX Price List: Global Price List in USD Service Total (USD): 941.00 Subscription Total (USD): 0.00

UCSC-C245-M8SX **Services/Subscriptions**

Service Options

Choose Service Level from: All Service Programs

Time Duration: (a)

Duration
 Delay service start to
 Co-Term service to

(b)

Service SKU	Product SKU	Unit List Price (USD)	Qty	Total List Price (USD)
Cisco Customer Experience Level 1 (1 ITEM)	L1NCO (CX LEVEL 1 8X7XNCDOS) Duration 36 Months			
CON-L1NCO-UCSCM8SX	UCSC-C245-M8SX	4,941.00	1	4,941.00
CX LEVEL 1 8X7XNCDOS UCS C245M8 Rack w/oCP...	UCS C245M8 Rack w/oCPU, mem, drv, 2Uw24SFF HD...		1	

Configuration Summary All prices shown in USD
 Services: 4,941.00

(b)

- a. Enter the Term Duration
- b. Click on "Apply" and "Done"

Step 8.

Cisco Intersight

CNDL-DESELECT-D

Bundle Configuration: UCS-M8-MLB Estimated Lead Time: 21 days Price List: Global Price List (USD) Total: 99,271.45

Set service preferences for this configuration

Please note that Intersight is required selection and needed for the M8 Server to function. All orders with CNDL-DESELECT-D will be manually reviewed for Compliance. (CE202322)

CNDL-DESELECT-D has been added to the bundle category CISCO INTERSIGHT.

Available Components	Unit List Price (USD)
CISCO UCS C245 M8	
CISCO INTERSIGHT	
DC-MGT-SAAS Cisco Intersight SaaS	0.00
CNDL-DESELECT-D Conditional Deselect Estimated Lead Time: 7 days	

(a)

Product	Unit List Price (USD)	Adjusted List Price (USD)	Qty	Extended List Price (USD)
CISCO UCS C245 M8 > 1 Selected (Min 0, Max 99999)				
UCSC-C245-M8SX Valid	24,996.10		1	99,271.45
UCS C245M8 Rack w/oCPU, mem, drv, 2Uw24SFF HDD/SSD backplane				
CISCO INTERSIGHT > 1 Selected (Min 1, Max 1)				
CNDL-DESELECT-D	0.00		1	0.00
Conditional Deselect				

(b)

- a. CNDL-DESELECT-D is meant to select only if Customer has already purchased Cisco Intersight License via EA Contract or order is for Disti Fulfillment. Please make selection by clicking “PLUS”.
- b. Please note that Intersight is required selection and needed for the Server to function. Click on Select Options to configure.

Step 9.

The screenshot shows the Cisco Intersight configuration interface. At the top, a green box labeled "Cisco Intersight" has a blue arrow pointing to another green box labeled "CNDL-DESELECT-D". The interface displays the following information:

- Product Configuration:** CNDL-DESELECT-D part of UCS-M8-MLB
- Estimated Lead Time:** 7 days
- Global Price List in US Dollars (USD):** 0.00

Configuration Summary:

Category	Qty	Extended List Price (USD)
Reason Codes		
OPTOUT-DISTI-ONLY	1	0.00

Reason Codes:

SKU	Qty	Estimated Lead Time	Unit List Price (USD)
<input checked="" type="radio"/> OPTOUT-DISTI-ONLY For Disti when ordering mandatory licenses separately	1	3 days	0.00
<input type="radio"/> OPTOUT-EA-ONLY License not needed: Customer already owns Licenses in an EA	1	3 days	0.00
<input type="radio"/> OPTOUT-ENTL-SWAP License not needed: Entitlements updated in Smart Account. More	1	3 days	0.00

Total: 0.00
Estimated Lead Time: 7 days

Buttons: [Reset Configuration](#), [Cancel](#), [Done](#)

- a. Please select appropriate Reason Code.

Step 10.

Bundle Configuration: UCS-M8-MLB
 Estimated Lead Time: 21 days
 Price List: Global Price List (USD)
 Total: 99,271.45

Set service preferences for this configuration

Please note that Intersight is required selection and needed for the M8 Server to function. All orders with CNDL-DESELECT-D will be manually reviewed for Compliance. (CE202322)

Product	Unit List Price (USD)	Adjusted List Price (USD)	Qty	Extended List Price (USD)
UCSC-C245-M8SX UCS C245M8 Rack w/oCPU, mem, drv, 2Uw24SFF HDD/SSD backplane	24,996.10	24,996.10	1	99,271.45

Product	Unit List Price (USD)	Adjusted List Price (USD)	Qty	Extended List Price (USD)
CNDL-DESELECT-D Conditional Deselect	0.00	0.00	1	0.00

Configuration Summary (All prices shown in USD)

Total	99,271.45
Estimated Lead Time	21 days

- Configuration for MLB is completed when status of each Product is Valid and warning messages are cleared.
- Click on the “PLUS” to expand and view the selections made for each Product.
- Click on the “DONE” to complete the MLB Configuration.