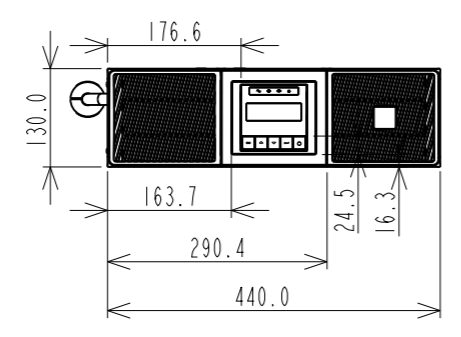
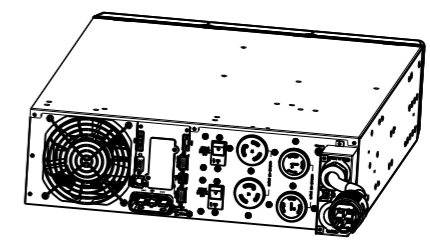
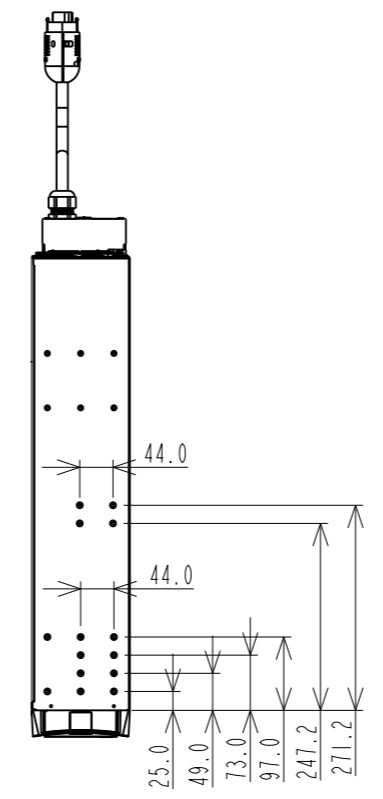
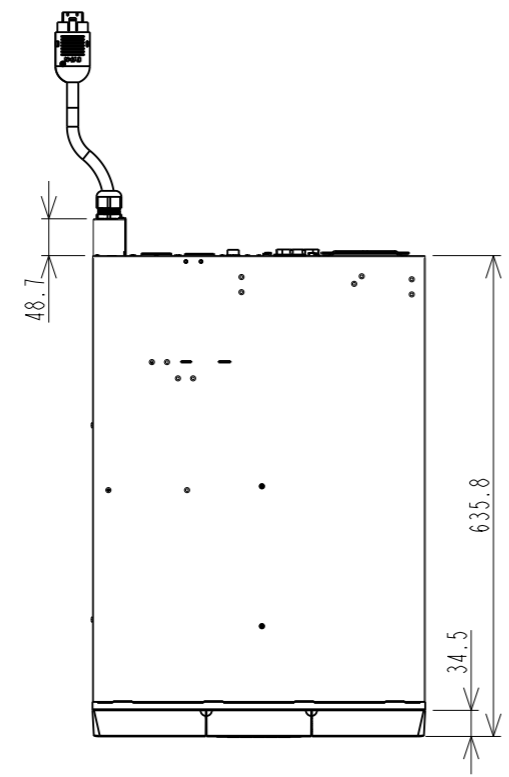
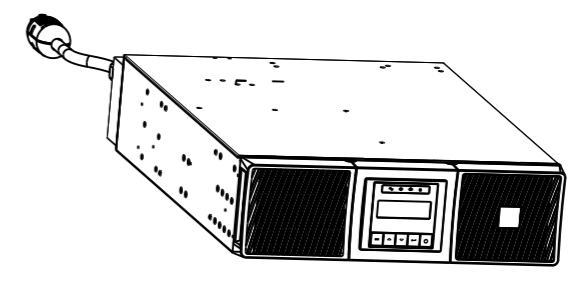
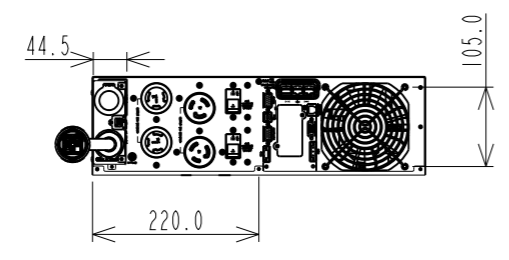


REV	DATE	ECO-CODE	MODIFICATION	PREPARED	APPROVED
00	25-Aug-2023		FIRST ISSUE	Zilie Su	Yao Wang



METRIC		EATON CORPORATION			
DIMENSIONS ARE IN MILLIMETERS AFTER PLATING. DIMENSIONS AND TOLERANCES IN ACCORDANCE WITH ASME Y14.5M-1994. SEE NOTES FOR TOLERANCES.					
DESCRIPTION: Titan to TL 5K/6K UPS					
ORIGINATED: Zilie Su	25-Aug-2023	ECO:	NAME:	REVISION:	SIZE: A3
MODIFIED: Zilie Su	25-Aug-2023		5K6K	STATE:	SCALE: 1:10
CHECKED: /	25-Aug-2023	DOCUMENT TYPE: PRO-E DRAWING			SHEET: 1 OF 1
SAFETY: /	25-Aug-2023				
APPROVED: Yao Wang	25-Aug-2023				

EATON CORPORATION - CONFIDENTIAL AND PROPRIETARY
 NOTICE TO PERSONS RECEIVING THIS DOCUMENT AND/OR TECHNICAL INFORMATION
 THIS DOCUMENT, INCLUDING THE DRAWING AND INFORMATION CONTAINED THEREON, IS CONFIDENTIAL AND IS THE EXCLUSIVE PROPERTY OF EATON CORPORATION, AND IS MERELY ON LOAN AND SUBJECT TO RECALL BY EATON AT ANY TIME. BY TAKING POSSESSION OF THIS DOCUMENT, THE RECIPIENT ACKNOWLEDGES AND AGREES THAT THIS DOCUMENT CANNOT BE USED IN ANY MANNER ADVERSE TO THE INTERESTS OF EATON AND THAT NO PORTION OF THIS DOCUMENT MAY BE COPIED OR OTHERWISE REPRODUCED WITHOUT THE PRIOR WRITTEN CONSENT OF EATON. IN THE CASE OF CONFLICTING CONTRACTUAL PROVISIONS, THIS NOTICE SHALL GOVERN THE STATUS OF THIS DOCUMENT.
 © 2011 Eaton Corporation - All Rights Reserved.