

# ZD421

## Direct Thermal Desktop Printer



### Quick Start Guide



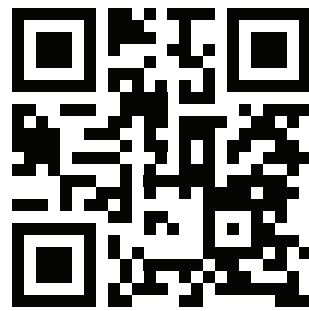
Zebra Technologies | 3 Overlook Point | Lincolnshire, IL 60069  
 USA zebra.com ZEBRA and the stylized Zebra head are trademarks of Zebra Technologies Corp., registered in many jurisdictions worldwide. All other trademarks are the property of their respective owners. © 2023 Zebra Technologies Corp. and/or its affiliates. All rights reserved.



ZEBRA

### IMPORTANT

Go to [zebra.com/zd421d-info](https://zebra.com/zd421d-info) and install the driver for your printer.



The driver **MUST** be installed before connecting the printer to the computer, or it will cause complications. If your Microsoft Windows-based computer does not have the driver installed for this printer, download it from [zebra.com/zd421d-info](https://zebra.com/zd421d-info) and install it before continuing.

After unpacking, make sure you have all items shown below.



Printer



Quick Start Guide



USB Cable



Power Supply



Power Cord

! Media not included.



### 3 Remove Packing (continued)

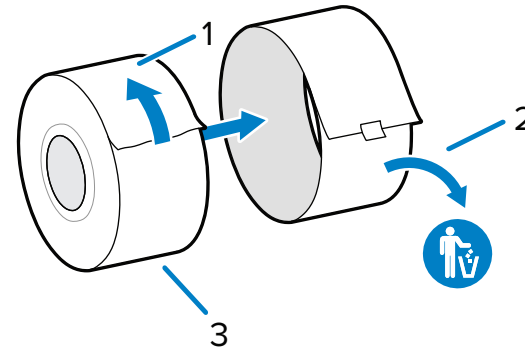
### 4 Load Media



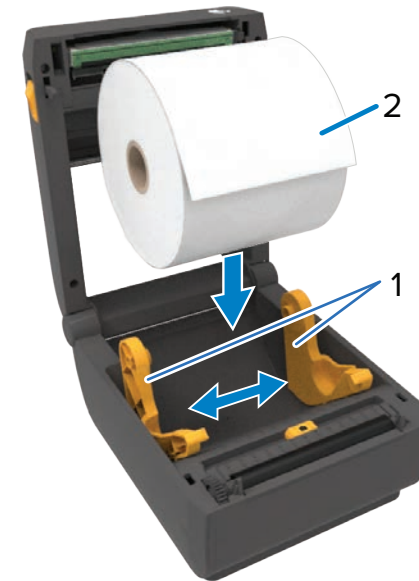
Slide the release latches (1) to the front to unlock the cover.



Open the printer and remove the packing (1).



Unroll (1) and discard (2) the outer layer of the media roll (3).



Spread the roll holders open (1) and place the roll (2) into the printer.



Verify the roll spins easily on the holder.

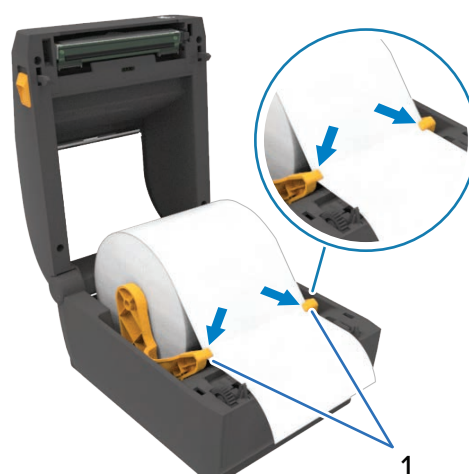
### 5 Load Media (continued)

### 6 Adjust Sensor

### 7 Close Printer



Pull the end of the roll past the front edge of the printer.



Press the media under the guides (1).



Align the sensor to the center of the roll for regular labels (1).

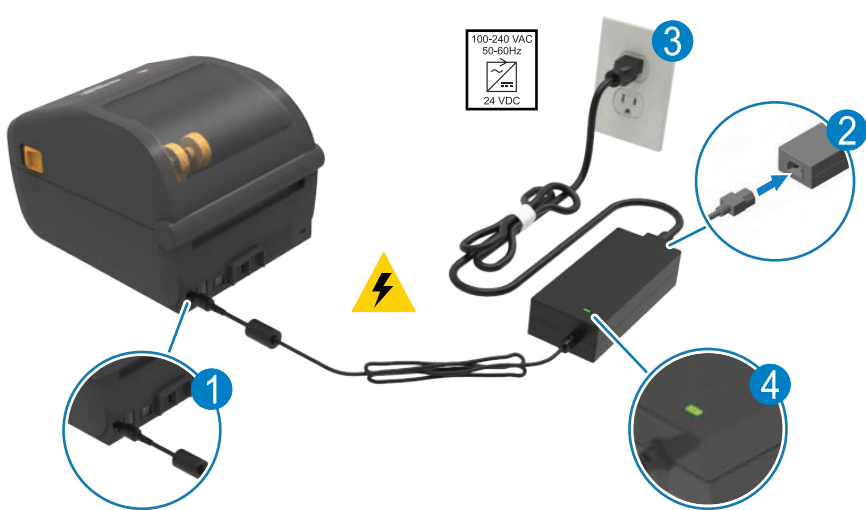


Align the sensor to the edge of the roll for marked labels (1).



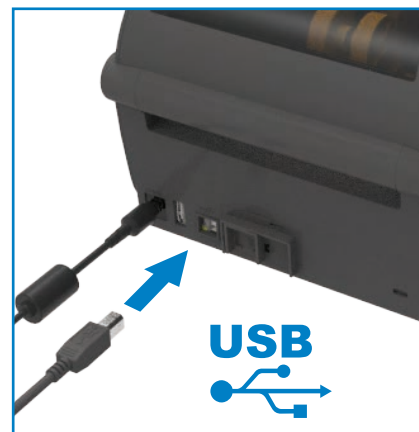
Push down on the front edge of the printer until it locks.

## 8 Connect Power



1. Plug the power supply into the printer.
2. Plug the power cable into the power supply.
3. Plug the power cord into an appropriate receptacle.
4. Verify that the power supply lights green.

## 9 Connect USB



1. Connect a USB cable to the printer.
2. Connect the other end to your computer.

## 10 Power On



Press **POWER** (1).

## 11 Power On (continued)



When the printer is ready, the printer status light turns green (1).

## 12 Smart Calibration



Press and hold **PAUSE** (1) and **CANCEL** (2) for two seconds to line up the labels.

## 13 Print Configuration



Press and hold **FEED** (1) and **CANCEL** (2) for two seconds to print a configuration report.

## Support and Information



View user documentation.  
[zebra.com/zd421d-info](http://zebra.com/zd421d-info)

View Quick Answers and Knowledge Base.  
[zebra.com/knowledge](http://zebra.com/knowledge)



Need to design a label?  
[zebra.com/zebradesigner](http://zebra.com/zebradesigner)

Join Community Connection of Zebra users and ambassadors.  
[zebra.com/supportcommunity](http://zebra.com/supportcommunity)



Learn about genuine Zebra supplies.  
[zebra.com/supplies](http://zebra.com/supplies)

Contact Zebra about your printer.  
[zebra.com/contactsupport](http://zebra.com/contactsupport)



Need to manage your printer?  
[zebra.com/profilemanager](http://zebra.com/profilemanager)

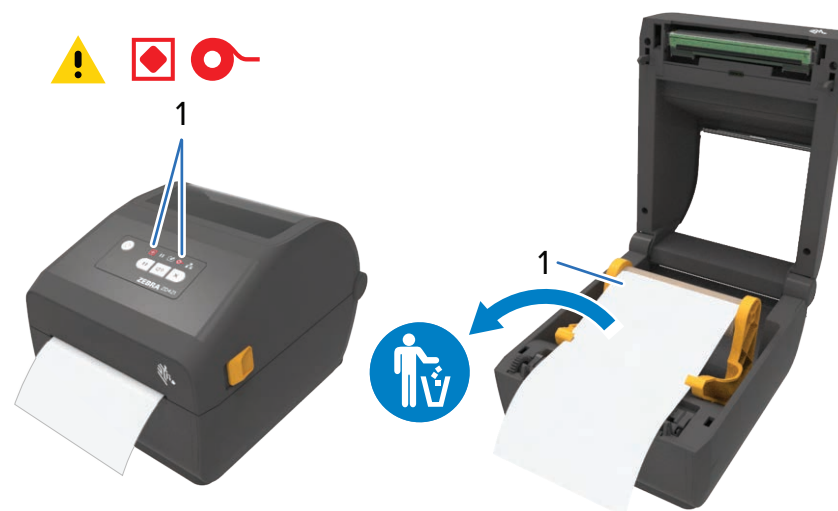
Need to secure your printer?  
[zebra.com/printsecure](http://zebra.com/printsecure)



Learn about product patent information.  
[ip.zebra.com](http://ip.zebra.com)



## Media Out



When media runs out, the printer and media status lights turn red (1).

Open the printer and discard the empty roll (1).

## Cleaning



Clean the printhead (1) with a cleaning pen (2). Clean from the middle to the outside. Do not use a cleaning pen on the platen.