



User Guide

SUMMARY

This guide provides information about components, network connection, power management, security, backing up, and more.

Legal information

© Copyright 2020–2022 HP Development Company, L.P.

Microsoft and Windows are either registered trademarks or trademarks of Microsoft Corporation in the United States and/or other countries. USB Type-C and USB-C are registered trademarks of USB Implementers Forum. VESA® is a trademark or registered trademark owned by the Video Electronics Standards Association (VESA) in the United States and other countries.

The information contained herein is subject to change without notice. The only warranties for HP products and services are set forth in the express warranty statements accompanying such products and services. Nothing herein should be construed as constituting an additional warranty. HP shall not be liable for technical or editorial errors or omissions contained herein.

Forth Edition: November 2022

First Edition: December 2020

Document Part Number: M12615-004

Product Notice

This guide describes features that are common to most products. Some features may not be available on your computer.

Not all features are available in all editions or versions of Windows. Systems may require upgraded and/or separately purchased hardware, drivers, software or BIOS update to take full advantage of Windows functionality. Windows is automatically updated, which is always enabled. High-speed internet and Microsoft account required. ISP fees may apply and additional requirements may apply over time for updates. See <http://www.windows.com>.

If your product ships with Windows in S

Mode: Windows in S Mode works exclusively with apps from the Microsoft Store within Windows. Certain default settings, features, and apps cannot be changed. Some accessories and apps that are compatible with Windows may not work (including some antivirus, PDF writers, driver utilities, and accessibility apps), and performance may vary, even if you switch out of S Mode. If you switch to Windows, you cannot switch back to S Mode. Learn more at Windows.com/SmodeFAQ.

To access the latest user guides, go to <http://www.hp.com/support>, and follow the instructions to find your product. Then select **Manuals**.

Software terms

By installing, copying, downloading, or otherwise using any software product preinstalled on this computer, you agree to be bound by the terms of the HP End User License Agreement (EULA). If you do not accept these license terms, your sole remedy is to return the entire unused product (hardware and software) within 14 days for a full refund subject to the refund policy of your seller.

For any further information or to request a full refund of the price of the computer, please contact your seller.

Safety warning notice

Reduce the possibility of heat-related injuries or of overheating the computer by following the practices described.

-
- ⚠ WARNING!** To reduce the possibility of heat-related injuries or of overheating the computer, do not place the computer directly on your lap or obstruct the computer air vents. Use the computer only on a hard, flat surface. Do not allow another hard surface, such as an adjoining optional printer, or a soft surface, such as pillows or rugs or clothing, to block airflow. Also, do not allow the AC adapter to come into contact with the skin or a soft surface, such as pillows or rugs or clothing, during operation. The computer and the AC adapter comply with the user-accessible surface temperature limits defined by applicable safety standards.
-

About this guide

This guide provides basic information for using and upgrading this product.






-
-  **WARNING!** Indicates a hazardous situation that, if not avoided, **could** result in serious injury or death.
 -  **CAUTION:** Indicates a hazardous situation that, if not avoided, **could** result in minor or moderate injury.
 -  **IMPORTANT:** Indicates information considered important but not hazard-related (for example, messages related to property damage). Warns the user that failure to follow a procedure exactly as described could result in loss of data or in damage to hardware or software. Also contains essential information to explain a concept or to complete a task.
 -  **NOTE:** Contains additional information to emphasize or supplement important points of the main text.
 -  **TIP:** Provides helpful hints for completing a task.
-

Table of contents

1 Computer features	1
Standard features	1
Integrated features	2
Stand options	3
Fanless hub components	4
VESA hub components	4
Column hub components	5
Locating the Engage One Pro power button	6
Locating the fanless hub power button	6
Adjusting the head unit	7
Tilting the head unit on a vertical stand	7
Tilting the head unit on a Pro stand	7
Adjusting the head unit on a performance stand	7
Engage One Pro serial number location	8
Fanless hub serial number location	8
Installing a security cable on the fanless hub	9
Installing a security cable on the Engage One Pro	9
2 Hardware setup	11
Tools needed	11
Warnings and cautions	11
Accessing and routing cables to the column hub	12
Removing the door on the Performance stand	12
Removing the door on the Pro stand	12
Removing the cover from the Vertical stand	13
Configuring the fanless hub powered serial ports	14
Mounting the Engage One Pro to a countertop	15
Installing a slim VESA mount	17
Installing the customer-facing display (CFD)	20
3 Configuring the software	23
Enabling Wake-on Touch	23
Touch screen calibration	23
Configuring optional HP integrated peripheral modules	23
Updating the Engage One Pro	24
Downloading HP Firmware Installer	24
Installing updates	24


4 Computer operating guidelines, routine care, and shipping preparation	25
Operating guidelines and routine care	25
Cleaning your computer	25
Removing dirt and debris from your computer	26
Cleaning your computer with a disinfectant	26
Touch screen maintenance	27
MSR maintenance	27
Shipping preparation	27
5 Electrostatic discharge	29
6 Accessibility	30
HP and accessibility	30
Finding the technology tools you need	30
The HP commitment	30
International Association of Accessibility Professionals (IAAP)	31
Finding the best assistive technology	31
Assessing your needs	31
Accessibility for HP products	31
Standards and legislation	32
Standards	32
Mandate 376 - EN 301 549	32
Web Content Accessibility Guidelines (WCAG)	32
Legislation and regulations	33
Useful accessibility resources and links	33
Organizations	33
Educational institutions	33
Other disability resources	34
HP links	34
Contacting support	34
Index	35

1 Computer features

This chapter provides you with an overview of your computer's features.

Standard features

To identify a typical computer configuration, read this section.

 **NOTE:** Features vary depending on the model.

Landscape orientation



Portrait orientation



The Engage One Pro is designed for long-term deployment within general retail, hospitality, and other markets. It includes the following features:


- Integrated All-in-One (AiO) form factor available in landscape or portrait orientation
- Display panel (wide-aspect ratio); FHD 1920 × 1080 resolution, antiglare, antismudge, in the following sizes:
 - **39.6 cm** (15.6 in), 400 nits
 - **49.5 cm** (19.5 in), 450 nits
 - **60.5 cm** (23.8 in), 625 nits

 **NOTE:** The typical brightness of the panel is measured in nits before antiglare coating.

- Choice of two mounting options:
 - Countertop mounting bracket
 - 100 mm × 100 mm VESA® mounting bracket
- Choice of three stands:
 - Performance stand, height adjustable and tilt
 - Pro stand, tilt
 - Vertical stand, tilt
- Three available hubs:
 - Fanless hub
 - Column hub
 - VESA hub
- Major HP peripherals:
 - Magnetic strip reader (MSR) (integrated into the head unit as ordered)
 - Indicator light
 - LCD customer-facing display (CFD)
 - 2D barcode scanner
 - Biometric fingerprint reader
 - NFC authentication

Integrated features

To identify the computer features, use this illustration and table.

 **NOTE:** Your computer might look slightly different from the illustration in this section.


 **NOTE:** You can configure the head unit in either landscape or portrait orientation. Features might vary depending on the model.



Table 1-1 Identifying the integrated features

Features			
1	Near-field communication (NFC) (optional)	6	Fanless hub (optional)
2	Camera (optional)	7	Customer-facing display (CFD) (optional; shown above) -or- Indicator light (optional)
3	Display panel	8	Magnetic strip reader (MSR) (optional)
4	Fingerprint reader (optional)	9	Barcode scanner (optional)
5	Stand	10	Internal column hub (select products only)

Stand options

To identify the available stands, use this illustration and table.



Table 1-2 Identifying the stands

Options	
1	Pro stand with 40°-120° tilt
2	Vertical stand with 15°-40° tilt
3	Performance stand, height adjustable with 50 mm lift and 40°-120° tilt

NOTE: The stands are shown on a stability base.

Fanless hub components

To identify the fanless hub features, use this illustration and table.

IMPORTANT: To avoid damage to the computer, **do not** plug a telephone cable into the cash drawer jack.

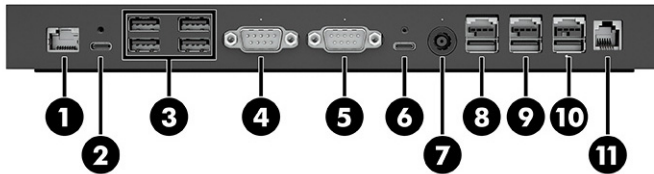


Table 1-3 Identifying the fanless hub features

Features			
1	RJ-45 (network) jack	7	Power connector
2	USB Type-C® powered port (27W)	8	Powered USB 12 V port
3	USB SuperSpeed ports (4)	9	Powered USB 12 V port
4	Powered serial port	10	Powered USB 24 V port
5	Powered serial port	11	RJ-11 (cash drawer) jack
6	USB Type-C port		

IMPORTANT: *Use only with a HP-provided USB cable that is rated at 140 W.

VESA hub components

To identify the VESA hub features, use this illustration and table.



Table 1-4 Identifying the VESA hub features

Features	
1	RJ-45 (network) jack
2	Power connector
3	Powered USB 24 V port
4	Powered USB 12 V port
5	USB Type-C charging port (27 W)
6	USB SuperSpeed ports (3)

Column hub components

To identify the column hub features, use this illustration and table.

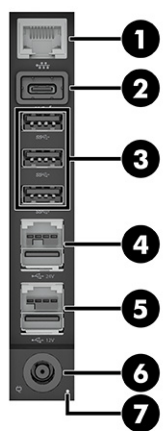


Table 1-5 Identifying the column hub features

Features	
1	RJ-45 (network) jack
2	USB Type-C powered port (27 W)
5	Powered USB 12 V port
6	Power connector

Table 1-5 Identifying the column hub features (continued)

Features			
3	USB SuperSpeed ports (3)	7	Power light
4	Powered USB 24 V port		

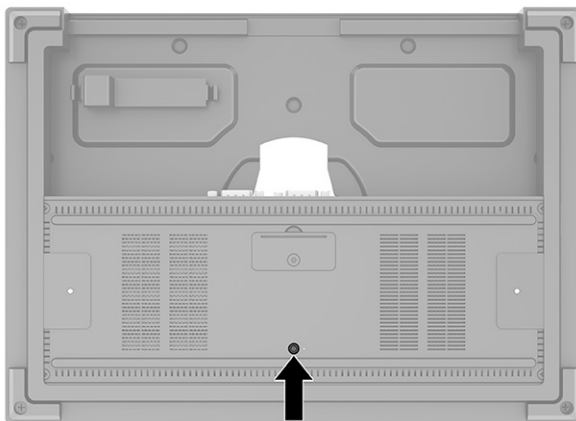
Locating the Engage One Pro power button

The computer power button is located on the bottom-left edge of the bezel.



Locating the fanless hub power button

The power button is located on the underside of the hub.



The head unit controls the fanless hub. When the head unit is turned off, the hub is turned off and power is not available from the hub ports. The exception is the hub USB port that connects to the head unit. That port remains powered so that it can continue to communicate with the head unit and allow the hub to turn back on when the head unit is turned on.

After the system has been turned off, you can press the power button on the underside of the hub to allow power to be available on the hub ports while the head unit remains turned off.

Adjusting the head unit

The stands offer various tilt and height-adjustment options.

Tilting the head unit on a vertical stand

You can tilt the computer head if needed for servicing.



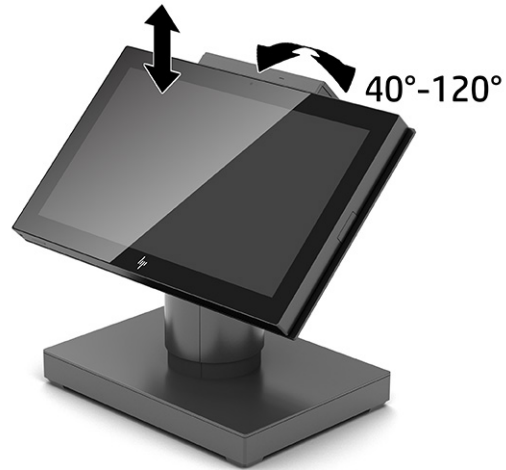
Tilting the head unit on a Pro stand

You can tilt the computer head if needed for servicing.



Adjusting the head unit on a performance stand

You can tilt and adjust the height of the computer head mounted to a performance stand.



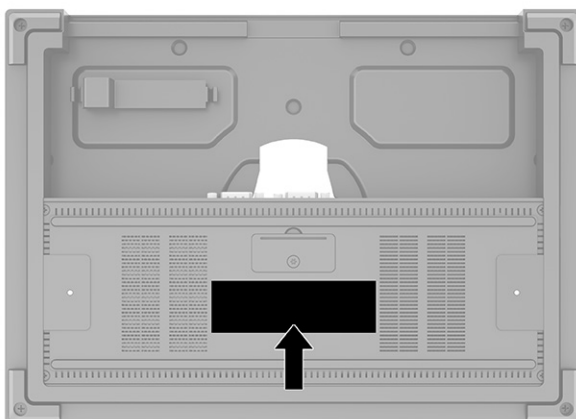
Engage One Pro serial number location

Each computer has a unique serial number and a product ID number that are located on the exterior of the computer. Keep these numbers available when you contact customer service for assistance.



Fanless hub serial number location

Each hub has a unique serial number and a product ID number that are located on the exterior of the hub. Keep these numbers available when you contact customer service for assistance.



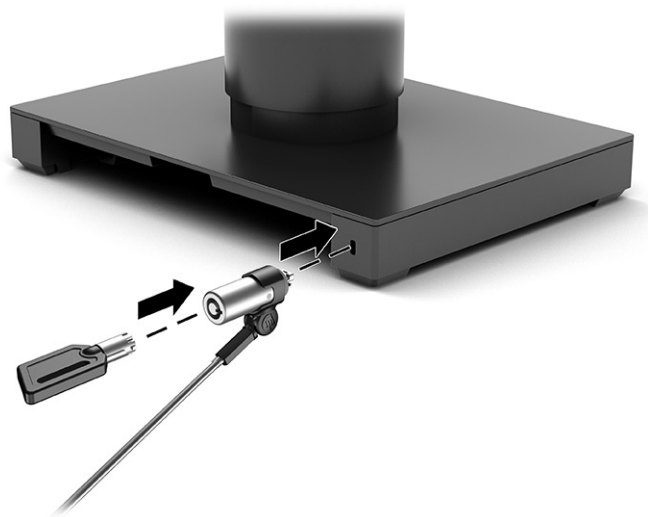
Regulatory information is located in the base plate or wall mount. Install the base plate or wall mount back after disassembly.

Installing a security cable on the fanless hub


You can secure the hub to a fixed object with an optional keyed cable lock security cable extension and an optional security cable available from HP.

 **NOTE:** The security cable is sold separately as an aftermarket option kit only.

1. Locate the security cable slot on the back of the hub.
2. Insert the security cable lock into the slot, and then use the key to lock it.

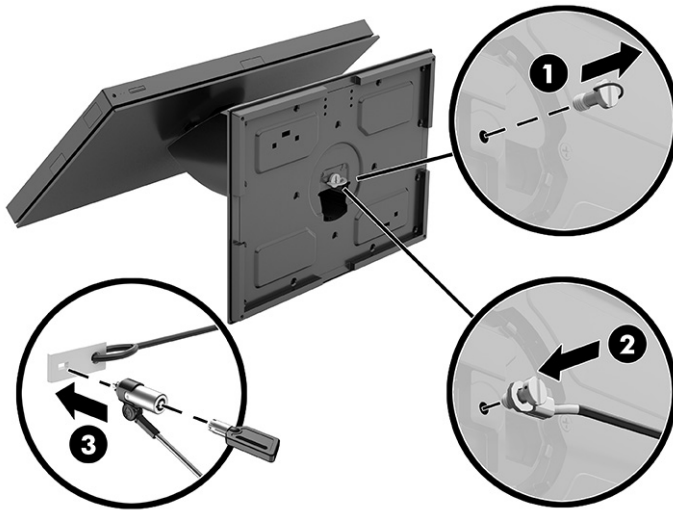


Installing a security cable on the Engage One Pro

 **NOTE:** The security cable is sold separately as an aftermarket option kit only.

1. Remove the screw from the bottom of the column **(1)**.
2. Attach the security cable extension to the bottom of the column using the tamper-resistant screw **(2)** included with the security cable extension.

3. Secure the other end of the security cable extension with a security cable (3).



2 Hardware setup


Use these sections to set up and configure your HP Engage One Pro All-in One. Every configuration ships with at least one of three available hubs: a fanless hub, column hub, or VESA hub.

Tools needed

You need a Phillips screwdriver and a Torx T15 screwdriver for procedures described in this guide.

Warnings and cautions


Before performing upgrades, be sure to carefully read all of the applicable instructions, cautions, and warnings in this guide.

 **WARNING!** To reduce the risk of personal injury from electric shock, hot surfaces, or fire:

- Disconnect the power cord from the AC outlet before removing the enclosure. Energized parts are inside.
- Allow the internal system components to cool before you touch them
- Replace and secure the enclosure before restoring power to the equipment.
- Do not connect telecommunications or telephone connectors to the network interface controller (NIC) receptacles.
- Do not disable the power cord grounding plug. The grounding plug is an important safety feature.
- Plug the power cord in a grounded (earthed) AC outlet that is easily accessible at all times.

For your safety, do not place anything on power cords or cables. Arrange them so that no one can accidentally step on or trip over them. Do not pull on a cord or cable. When unplugging from the AC outlet, grasp the cord by the plug.

To reduce the risk of serious injury, read the *Safety & Comfort Guide*. It describes proper workstation setup and provides guidelines for posture and work habits that increase your comfort and decrease your risk of injury. It also provides electrical and mechanical safety information. This guide is located on the web at <http://www.hp.com/ergo>.

 **IMPORTANT:** Static electricity can damage the electrical components of the computer or optional equipment. Before beginning these procedures, be sure that you are discharged of static electricity by briefly touching a grounded metal object.

When the computer is plugged into an AC power source, voltage is always applied to the system board. You must disconnect the power cord from the power source and wait 30 seconds before opening the computer to prevent damage to internal components.

Accessing and routing cables to the column hub

Use these sections to gain access to the column hub.

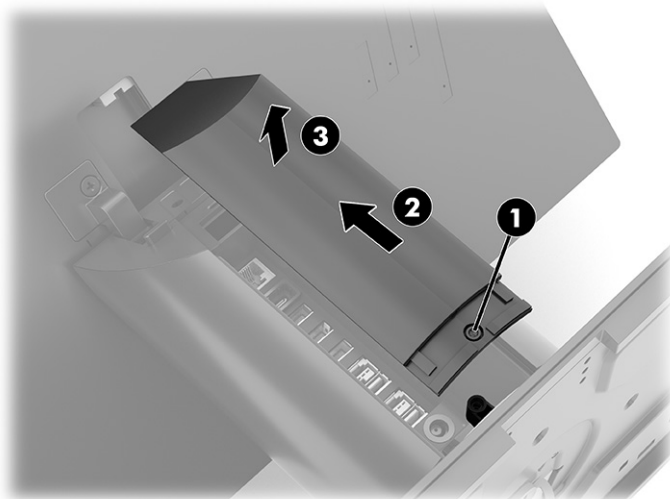
Connect cables to the column hub starting with the bottom port and working up in the following order:

1. Power connector
2. Powered USB ports
3. USB Type-A ports
4. USB Type-C port
5. Network jack

Removing the door on the Performance stand

To remove the Performance stand door, use this procedure and illustration.

1. Loosen the captive screw **(1)**.
2. Slide the door up **(2)**, and then remove it from the stand **(3)**.

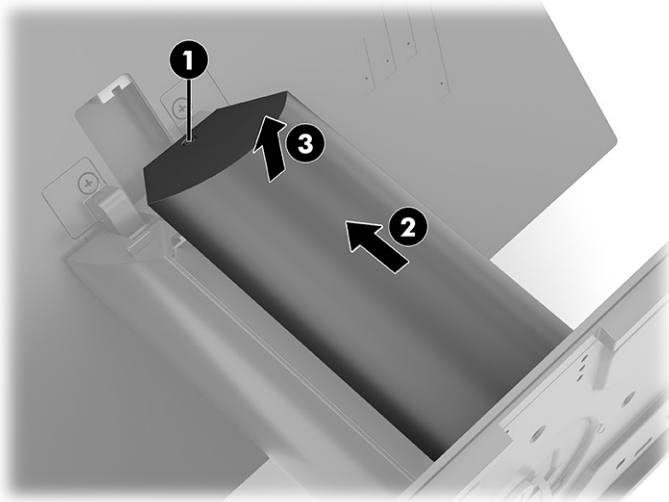


Removing the door on the Pro stand

To remove the Pro stand door, use this procedure and illustration.

1. Loosen the captive screw **(1)**.

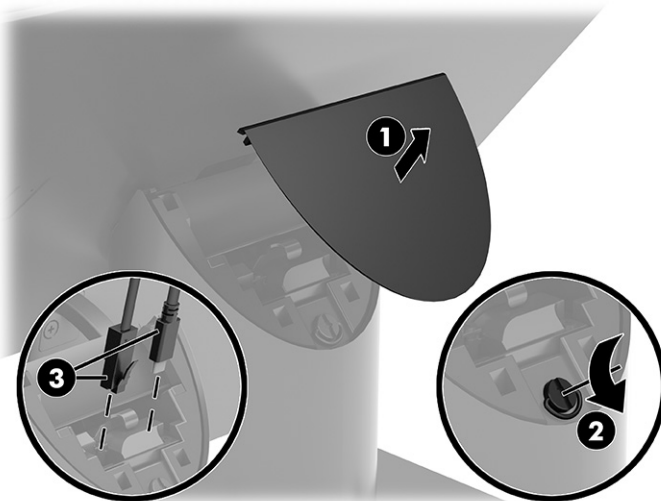
2. Lift the stand door up (2), and then remove it from the stand (3).



Removing the cover from the Vertical stand

To remove the Vertical stand cover, use this procedure and illustration.

1. Lift the access cover off the top of the stand (1).
2. Loosen the thumbscrew (2).
3. Disconnect the cables from the inside of the stand (3).



4. Lift the head unit and stand cover assembly off the stand.




Configuring the fanless hub powered serial ports

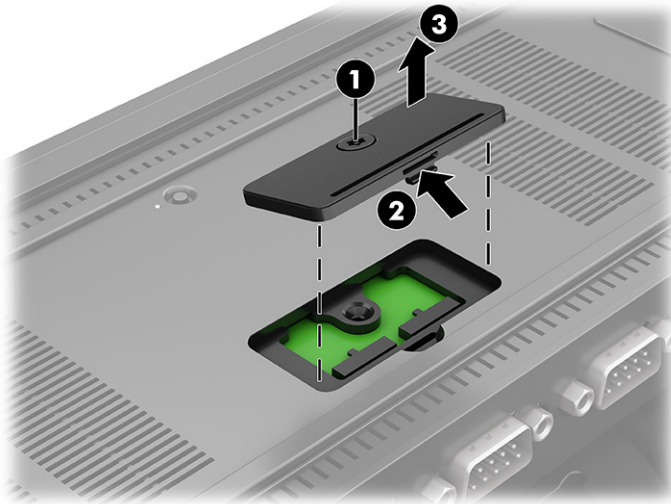
You can configure the serial ports as standard (unpowered) serial ports or powered serial ports. Some devices use a powered serial port. If the serial port is configured as a powered port, devices that support a powered serial interface do not require an external power source.

To configure the powered serial ports:

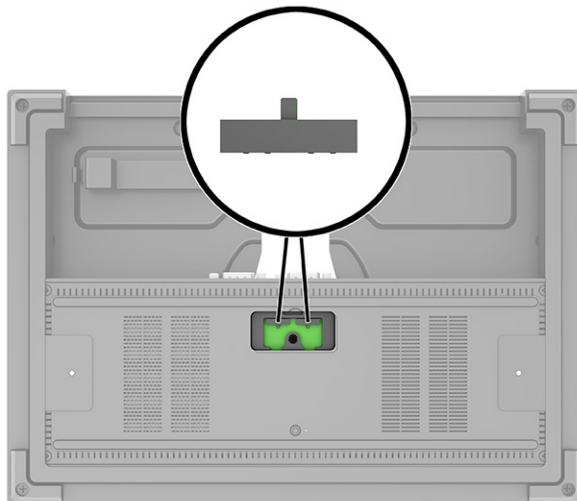
1. Turn off the computer properly through the operating system, and turn off any external devices.
2. Disconnect the power cord.

 **NOTE:** Regardless of the power state, voltage is always present on the system board as long as the system is plugged into an active AC outlet. You must disconnect the power cord and wait approximately 30 seconds for the power to drain to avoid damage to the internal components of the computer.

3. Loosen the captive Torx screw on the voltage switch cover on the underside of the hub (1), and then use the inset (2) to remove the cover (3).




4. Adjust the voltage select switch behind each serial port to the setting that you want.



5. Install the voltage switch cover onto the hub.
6. Reconnect the hub power cord and peripheral devices.

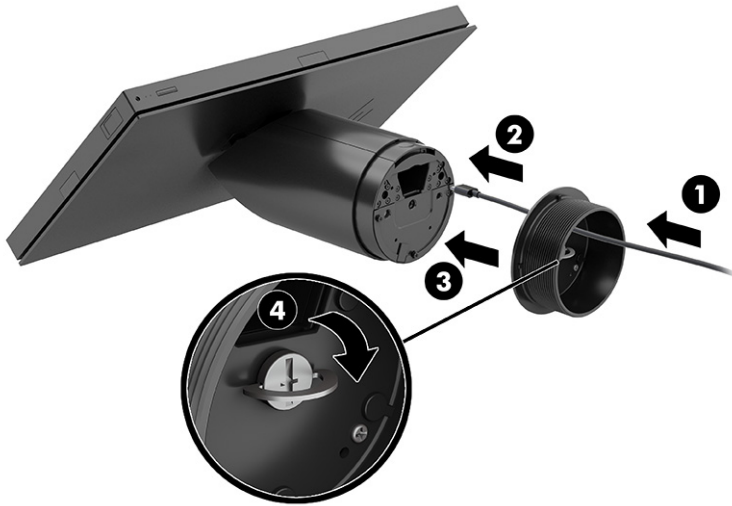
Mounting the Engage One Pro to a countertop

You can use an optional countertop mounting bracket to mount the computer head unit and column to a countertop.

 **NOTE:** The mounting bracket requires an 94 mm (3.75 in) hole in the countertop. The thickness of the countertop must be 10 mm (0.4 in) to 50 mm (2 in).

To mount the Engage One Pro:

1. Route the cables through the routing hole on the top piece of the mounting bracket (1), and connect the cables to the computer (2). Insert the mounting bracket at the bottom of the stand (3), and then secure it by tightening the thumbscrew (4).

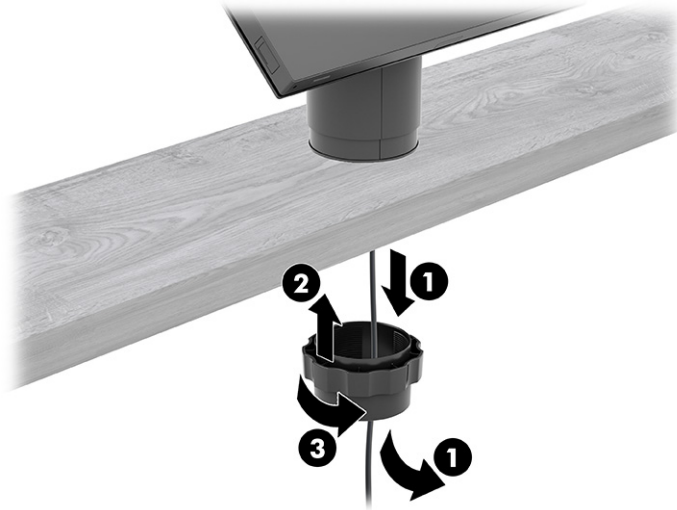


2. Route the cables through the hole in the mounting surface, and then place the column over the hole.




3. Position the bottom fastener based on the thickness of your mounting surface. One side is for thick countertops, and one side is for thin countertops.

4. Route the cables through the bottom piece of the mounting bracket (1). Press the mounting bracket against the bottom of the mounting surface and over the top mounting bracket (2), and then tighten the bracket (3).




Installing a slim VESA mount

To install a slim VESA mount, use this procedure and illustration.

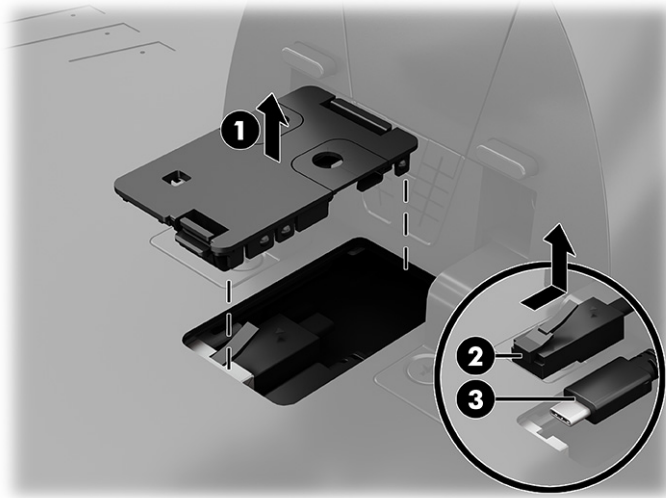
 **NOTE:** This VESA product uses standard M4 × 10 mm screws. Confirm that the product you are mounting to can use this size screw.

1. Turn off the computer properly through the operating system, and turn off any external devices.
2. Disconnect the power cord.

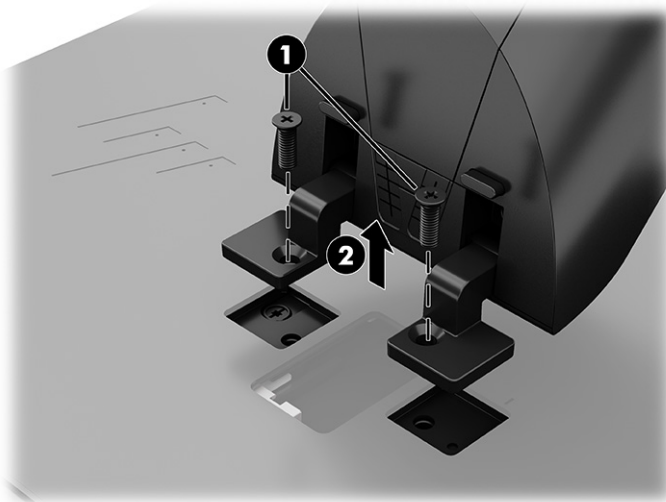
 **NOTE:** Regardless of the power state, voltage is always present on the system board as long as the system is plugged into an active AC outlet. You must disconnect the power cord and wait approximately 30 seconds for the power to drain to avoid damage to the internal components of the computer.

3. Remove the cable cover (1).

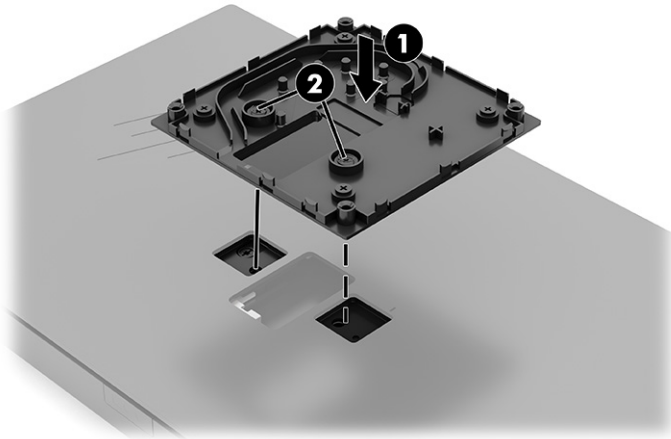
4. Disconnect the network cable (2) and the USB power cord (3) from the head unit.



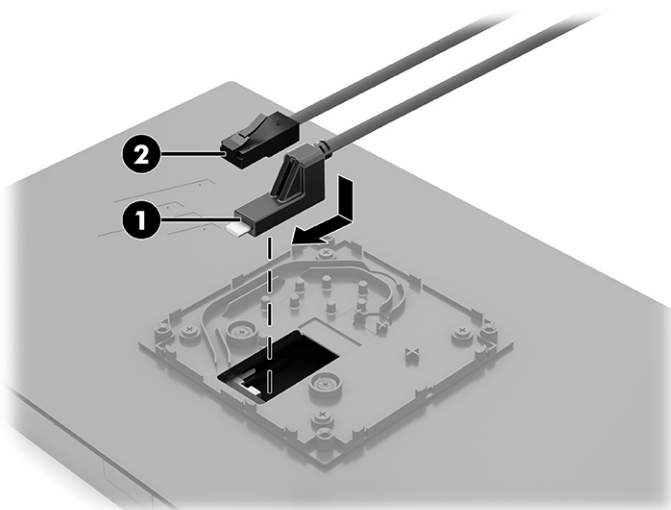
5. Remove the two screws (1), and then separate the stand from the head unit (2).



6. Insert the slim VESA mount bracket into the head unit (1), and then tighten the two captive screws (2).

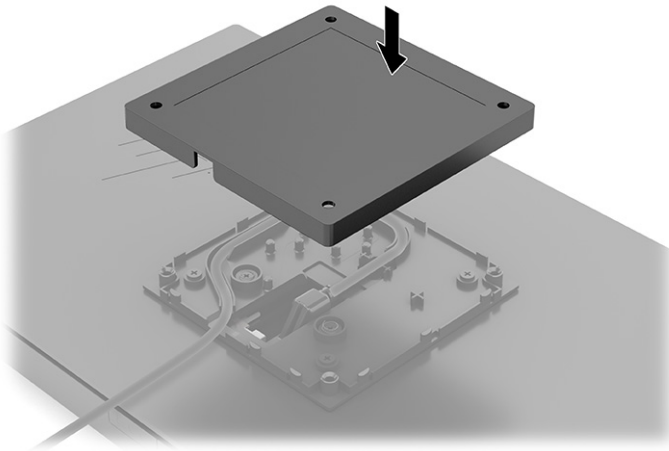


7. Connect the USB power cord (1) and network cable (2) to the head unit.



8. Connect the other end of the USB power cord to the fanless hub.


9. Press the slim VESA mount cover onto the bracket until it snaps into place.



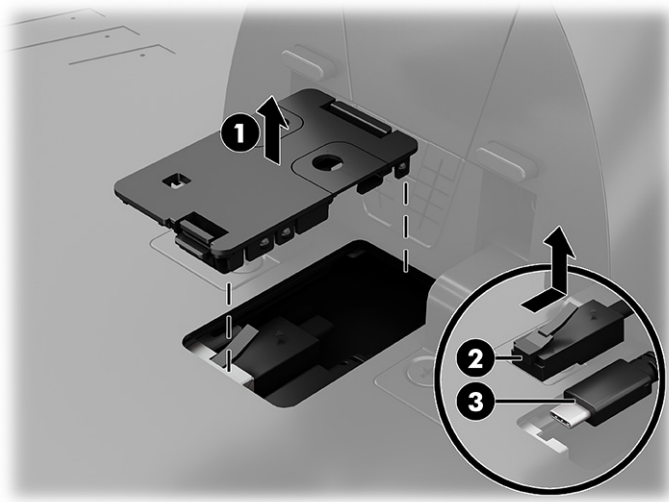
Installing the customer-facing display (CFD)

To install the customer-facing display, use this procedure and illustration.

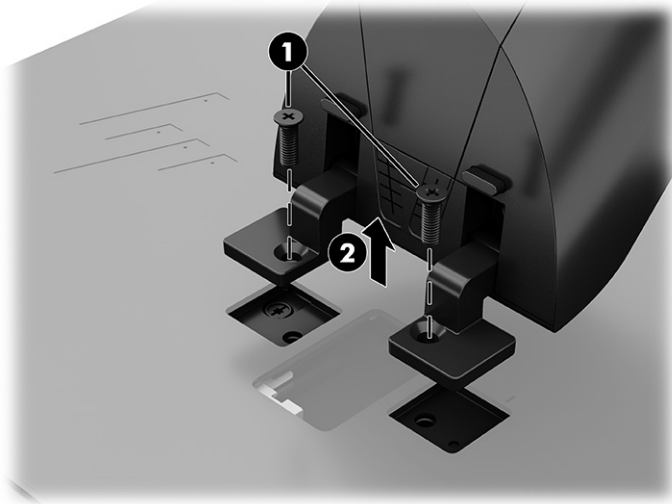
1. Turn off the computer properly through the operating system, and turn off any external devices.
2. Disconnect the power cord.

 **NOTE:** Regardless of the power state, voltage is always present on the system board as long as the system is plugged into an active AC outlet. You must disconnect the power cord and wait approximately 30 seconds for the power to drain to avoid damage to the internal components of the computer.

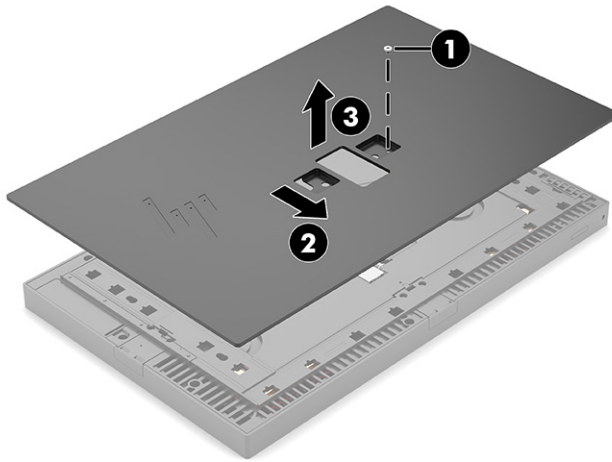
3. Remove the cable cover (1).
4. Disconnect the network cable (2) and the USB power cord (3) from the head unit.



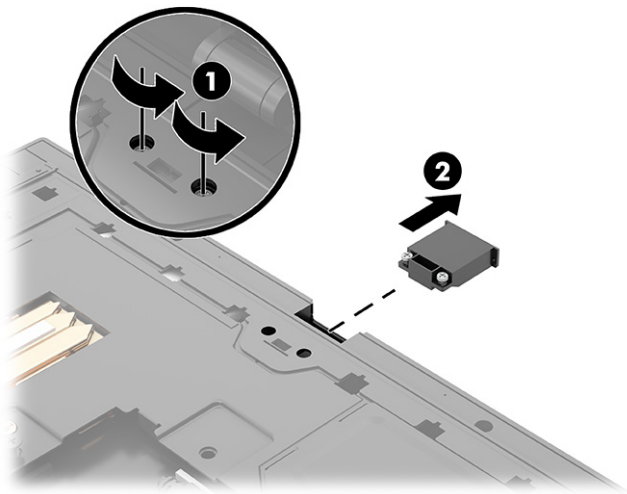
5. Remove the two screws (1), and then separate the stand from the head unit (2).



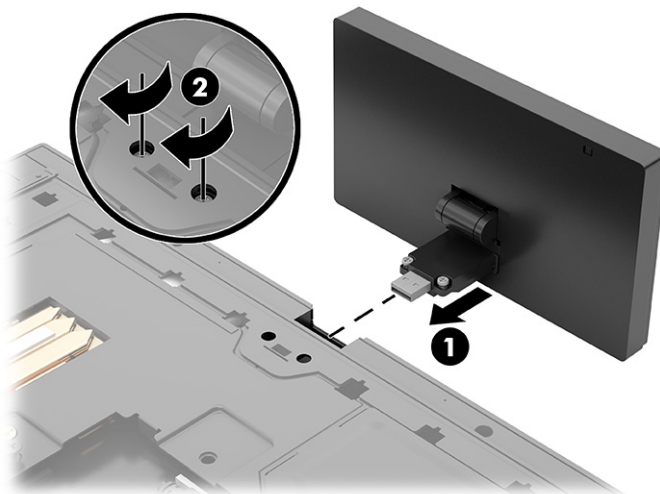
6. Remove the Phillips screw that secures the back plate to the head unit (1).
7. Slide the back plate toward the bottom of the head unit (2), and then lift the back plate off the head unit (3).



8. Loosen the two captive screws that secure the CFD insert (1), and then remove the insert from the top of the head unit (2).



9. Insert the connector on the CFD into the slot in the head unit (1), and then tighten the two Phillips screws (2).



10. Replace the back plate.
11. Install the stand to the head unit, connect the cables, and replace the cable cover.

3 Configuring the software


You can configure the computer and integrated peripherals and calibrate the touch screen.

Enabling Wake-on Touch

The Wake-on Touch (WOT) feature automatically turns on the computer when you touch the screen. The WOT setting is available in the F10 Setup Utility.

To enable Wake-on Touch:

1. Turn on or restart the computer.
2. When the power button light turns on, repeatedly press **f10** to access the F10 Setup Utility.

 **NOTE:** If you do not press **f10** at the appropriate time, you must restart the computer and again repeatedly press **f10** when the power button light turns on.

3. Select **Advanced**, select **Built-In Device Options**, and then select **Wake-on Touch Panel** to enable Wake-on Touch.
4. To apply and save changes, select **Main**, and then select **Save Changes and Exit**.

Touch screen calibration

The Windows® calibration tool works only in digitizer touch mode. If you install a retail touch utility, it sets the touch screen to mouse mode by default and does not allow the Windows calibration tool to run.


To calibrate the touch module:

1. Select the Search icon (select products only) in the taskbar, type `Control Panel`, and then select **Control Panel**.
2. Type `calibrate` in the Search box. Under **Tablet PC Settings**, tap the **Calibrate the screen for pen or touch input** link. In the Tablet PC Settings dialog box, tap the **Calibrate** button.
3. Follow the on-screen instructions to press the target marks on the touch screen. At the end of the calibration process, the touch module should be aligned with the video, and the touch points will be accurate.

Configuring optional HP integrated peripheral modules

Use this information to configure peripheral modules.

To configure the integrated USB peripheral, see the HP Point of Sale Configuration Guide (available in English only). The guide is located with the documentation on your retail computer and at <http://www.hp.com/support>. To access the guide on the retail computer, select **Start**, and then select **HP Point of Sale Information**.

 **NOTE:** Check <http://www.hp.com/support> for updated software or documentation that became available between the time your product was manufactured and the time it was delivered to you.

Updating the Engage One Pro

Use these sections to update the Engage One Pro.

Downloading HP Firmware Installer

Use these steps to download the firmware installation app.

1. Go to <http://www.hp.com/support>.
2. Select **Software and drivers**, and follow the on-screen instructions to find your docking station.
3. Follow the on-screen instructions to select and download **HP Firmware Installer**.
4. Complete the installation wizard.
5. Choose to restart now or later. The computer might not work until the next restart. Click **Finish**.

Installing updates

You can update the Engage One Pro immediately or the next time the computer is shut down.

To install updates:

1. Open Windows Explorer and navigate to where you saved HP Firmware Installer.
2. Double-click **HPFirmwareInstaller.exe**, and then select **OK**.
3. Verify that updates are available, select which updates to install, and then select **Install**.



TIP: You must be connected to the internet for new updates to download to HP Firmware Installer.

4. Select one of the following:

- **Shut down now:** Installs the update immediately.



NOTE: You might see the display flicker and hear some audio clicks, your internet connection might be intermittent, and your mouse and keyboard could become unresponsive until installation is complete.

- **Close and shut down later:** Installs the update the next time you shut down the computer.

The computer turns on automatically after the firmware update is complete.

4 Computer operating guidelines, routine care, and shipping preparation

Follow these guidelines to ensure the best performance and useful life of your computer.

Operating guidelines and routine care

HP has developed guidelines to help you properly set up and care for the computer and monitor.

- Keep the computer away from excessive moisture, direct sunlight, and extreme heat and cold.
- Operate the computer on a sturdy, level surface. Leave a 10.2 cm (4 inch) clearance on all vented sides of the computer and above the monitor to permit the required airflow.
- Never restrict the airflow into the computer by blocking any vents or air intakes. Do not place the keyboard, with the keyboard feet down, directly against the front of the desktop unit because this also restricts airflow.
- Never operate the computer with the access panel or any of the expansion card slot covers removed.
- Do not stack computers on top of each other or place computers so near each other that they are subject to each other's recirculated or preheated air.
- To operate a computer within a separate enclosure, intake and exhaust ventilation must be provided on the enclosure, and the previous operating guidelines still apply.
- Keep liquids away from the computer and keyboard.
- Never cover the ventilation slots on the monitor with any type of material.
- Install or enable power management functions of the operating system or other software, including sleep states.
- Turn off the computer before you do either of the following tasks:
 - Wipe the exterior of the computer with a soft, damp cloth as needed. Cleaning products might discolor or damage the finish. See [Removing dirt and debris from your computer on page 26](#) for the recommended steps to clean the high-touch, external surfaces on your computer. After you remove the dirt and debris, you can also clean the surfaces with a disinfectant. See [Cleaning your computer with a disinfectant on page 26](#) for guidelines to help prevent the spread of harmful bacteria and viruses.
 - Occasionally clean the air vents on all vented sides of the computer. Lint, dust, and other foreign matter can block the vents and limit the airflow.


Cleaning your computer

Cleaning your computer regularly removes dirt and debris so that your device continues to operate at its best. Use the following information to safely clean the external surfaces of your computer.


Removing dirt and debris from your computer

Here are the recommended steps to clean dirt and debris from your computer.


1. Wear disposable gloves made of latex (or nitrile gloves, if you are latex-sensitive) when cleaning the surfaces.
2. Turn off your device and unplug the power cord and other connected external devices. Remove any installed batteries from items such as wireless keyboards.

 **CAUTION:** To prevent electric shock or damage to components, never clean a product while it is turned on or plugged in.

3. Moisten a microfiber cloth with water. The cloth should be moist, but not dripping wet.

 **IMPORTANT:** To avoid damaging the surface, avoid abrasive cloths, towels, and paper towels.

4. Wipe the exterior of the product gently with the moistened cloth.

 **IMPORTANT:** Keep liquids away from the product. Avoid getting moisture in any openings. If liquid makes its way inside your HP product, it can cause damage to the product. Do not spray liquids directly on the product. Do not use aerosol sprays, solvents, abrasives, or cleaners containing hydrogen peroxide or bleach that might damage the finish.

5. Start with the display (if applicable). Wipe carefully in one direction, and move from the top of the display to the bottom. Finish with any flexible cables, like power cord, keyboard cable, and USB cables.
6. Be sure that surfaces have completely air-dried before turning the device on after cleaning.
7. Discard the gloves after each cleaning. Clean your hands immediately after you remove the gloves.

See [Cleaning your computer with a disinfectant on page 26](#) for recommended steps to clean the high-touch, external surfaces on your computer to help prevent the spread of harmful bacteria and viruses.


Cleaning your computer with a disinfectant

The World Health Organization (WHO) recommends cleaning surfaces, followed by disinfection, as a best practice for preventing the spread of viral respiratory illnesses and harmful bacteria.


After cleaning the external surfaces of your computer using the steps in [Removing dirt and debris from your computer on page 26](#), you might also choose to clean the surfaces with a disinfectant. A disinfectant that is within HP's cleaning guidelines is an alcohol solution consisting of 70% isopropyl alcohol and 30% water. This solution is also known as rubbing alcohol and is sold in most stores.


Follow these steps when disinfecting high-touch, external surfaces on your computer:

1. Wear disposable gloves made of latex (or nitrile gloves, if you are latex-sensitive) when cleaning the surfaces.
2. Turn off your device and unplug the power cord and other connected external devices. Remove any installed batteries from items such as wireless keyboards.


 **CAUTION:** To prevent electric shock or damage to components, never clean a product while it is turned on or plugged in.

3. Moisten a microfiber cloth with a mixture of 70% isopropyl alcohol and 30% water. The cloth should be moist, but not dripping wet.

 **CAUTION:** Do not use any of the following chemicals or any solutions that contain them, including spray-based surface cleaners: bleach, peroxides (including hydrogen peroxide), acetone, ammonia, ethyl alcohol, methylene chloride, or any petroleum-based materials, such as gasoline, paint thinner, benzene, or toluene.

 **IMPORTANT:** To avoid damaging the surface, avoid abrasive cloths, towels, and paper towels.

4. Wipe the exterior of the product gently with the moistened cloth.

 **IMPORTANT:** Keep liquids away from the product. Avoid getting moisture in any openings. If liquid makes its way inside your HP product, it can cause damage to the product. Do not spray liquids directly on the product. Do not use aerosol sprays, solvents, abrasives, or cleaners containing hydrogen peroxide or bleach that might damage the finish.

5. Start with the display (if applicable). Wipe carefully in one direction, and move from the top of the display to the bottom. Finish with any flexible cables, like power cord, keyboard cable, and USB cables.
6. Be sure that surfaces have completely air-dried before turning the device on after cleaning.
7. Discard the gloves after each cleaning. Clean your hands immediately after you remove the gloves.

Touch screen maintenance

Keep your display and touch sensor clean. The touch sensor requires very little maintenance. HP recommends that you periodically clean the glass touch sensor surface.

Be sure to turn off your display before cleaning. Typically, an isopropyl alcohol and water solution ratio of 50:50 is the best cleaning agent for your touch sensor. It is important to avoid using any caustic chemicals on the touch sensor. Do not use any vinegar-based solutions.

Apply the cleaner with a soft, lint-free cloth. Avoid using gritty cloths. Always dampen the cloth and then clean the sensor. Be sure to spray the cleaning liquid onto the cloth, not the sensor, so that drips do not seep inside the display or stain the bezel.


MSR maintenance

To clean the MSR (magnetic strip reader), swipe a standard cleaning card through the MSR a couple of times. You can order a standard cleaning card online. You can also put a thin, oil-free cloth around a credit card.

Shipping preparation

If you have to ship your computer, follow these tips to keep your equipment safe.

1. Back up the hard drive files to an external storage device. Be sure that the backup media is not exposed to electrical or magnetic impulses while stored or in transit.

 **NOTE:** The hard drive locks automatically when the system power is turned off.

2. Remove and store all removable media.
3. Turn off the computer and external devices.
4. Disconnect the power cord from the AC outlet, and then from the computer.
5. Disconnect the system components and external devices from their power sources and then from the computer.




NOTE: Be sure that all boards are seated properly and secured in the board slots before shipping the computer.

6. Pack the system components and external devices in their original packing boxes or similar packaging with sufficient packing material to protect them.

5 Electrostatic discharge

Electrostatic discharge is the release of static electricity when two objects come into contact—for example, the shock you receive when you walk across the carpet and touch a metal door knob.

A discharge of static electricity from fingers or other electrostatic conductors may damage electronic components.

 **IMPORTANT:** To prevent damage to the computer, damage to a drive, or loss of information, observe these precautions:

- If removal or installation instructions direct you to unplug the computer, first be sure that it is properly grounded.
 - Keep components in their electrostatic-safe containers until you are ready to install them.
 - Avoid touching pins, leads, and circuitry. Handle electronic components as little as possible.
 - Use nonmagnetic tools.
 - Before handling components, discharge static electricity by touching an unpainted metal surface.
 - If you remove a component, place it in an electrostatic-safe container.
-

6 Accessibility

HP's goal is to design, produce, and market products, services, and information that everyone everywhere can use, either on a stand-alone basis or with appropriate third-party assistive technology (AT) devices or applications.

HP and accessibility

Because HP works to weave diversity, inclusion, and work/life into the fabric of the company, it is reflected in everything HP does. HP strives to create an inclusive environment focused on connecting people to the power of technology throughout the world.

Finding the technology tools you need

Technology can unleash your human potential. Assistive technology removes barriers and helps you create independence at home, at work, and in the community. Assistive technology helps increase, maintain, and improve the functional capabilities of electronic and information technology.

For more information, see [Finding the best assistive technology on page 31](#).

The HP commitment

HP is committed to providing products and services that are accessible for people with disabilities. This commitment supports the company's diversity objectives and helps ensure that the benefits of technology are available to all.

The HP accessibility goal is to design, produce, and market products and services that can be effectively used by everyone, including people with disabilities, either on a stand-alone basis or with appropriate assistive devices.

To achieve that goal, this Accessibility Policy establishes seven key objectives to guide HP actions. All HP managers and employees are expected to support these objectives and their implementation in accordance with their roles and responsibilities:

- Raise the level of awareness of accessibility issues within HP, and provide employees with the training they need to design, produce, market, and deliver accessible products and services.
- Develop accessibility guidelines for products and services, and hold product development groups accountable for implementing these guidelines where competitively, technically, and economically feasible.
- Involve people with disabilities in the development of accessibility guidelines and in the design and testing of products and services.
- Document accessibility features, and make information about HP products and services publicly available in an accessible form.
- Establish relationships with leading assistive technology and solution providers.
- Support internal and external research and development that improves assistive technology relevant to HP products and services.

- Support and contribute to industry standards and guidelines for accessibility.

International Association of Accessibility Professionals (IAAP)

IAAP is a not-for-profit association focused on advancing the accessibility profession through networking, education, and certification. The objective is to help accessibility professionals develop and advance their careers and to better enable organizations to integrate accessibility into their products and infrastructure.

As a founding member, HP joined to participate with other organizations to advance the field of accessibility. This commitment supports HP's accessibility goal of designing, producing, and marketing products and services that people with disabilities can effectively use.

IAAP will make the profession strong by globally connecting individuals, students, and organizations to learn from one another. If you are interested in learning more, go to <http://www.accessibilityassociation.org> to join the online community, sign up for newsletters, and learn about membership options.

Finding the best assistive technology

Everyone, including people with disabilities or age-related limitations, should be able to communicate, express themselves, and connect with the world using technology. HP is committed to increasing accessibility awareness within HP and with our customers and partners.

Whether it's large fonts that are easy on the eyes, voice recognition that lets you give your hands a rest, or any other assistive technology to help with your specific situation—a variety of assistive technologies make HP products easier to use. How do you choose?

Assessing your needs

Technology can unleash your potential. Assistive technology removes barriers and helps you create independence at home, at work, and in the community. Assistive technology (AT) helps increase, maintain, and improve the functional capabilities of electronic and information technology.

You can choose from many AT products. Your AT assessment should allow you to evaluate several products, answer your questions, and facilitate your selection of the best solution for your situation. You will find that professionals qualified to do AT assessments come from many fields, including those licensed or certified in physical therapy, occupational therapy, speech/language pathology, and other areas of expertise. Others, while not certified or licensed, can also provide evaluation information. You will want to ask about the individual's experience, expertise, and fees to determine if they are appropriate for your needs.

Accessibility for HP products

These links provide information about accessibility features and assistive technology, if applicable and available in your country or region, that are included in various HP products. These resources will help you select the specific assistive technology features and products most appropriate for your situation.

- HP Aging & Accessibility: Go to <http://www.hp.com>, type `Accessibility` in the search box. Select **Office of Aging and Accessibility**.
- HP computers: For Windows products, go to <http://www.hp.com/support>, type `Windows Accessibility Options` in the **Search our knowledge** search box. Select the appropriate operating system in the results.
- HP Shopping, peripherals for HP products: Go to <http://store.hp.com>, select **Shop**, and then select **Monitors or Accessories**.

If you need additional support with the accessibility features on your HP product, see [Contacting support on page 34](#).

Additional links to external partners and suppliers that may provide additional assistance:

- [Microsoft Accessibility information \(Windows and Microsoft Office\)](#)
- [Google Products accessibility information \(Android, Chrome, Google Apps\)](#)

Standards and legislation

Countries worldwide are enacting regulations to improve access to products and services for persons with disabilities. These regulations are historically applicable to telecommunications products and services, PCs and printers with certain communications and video playback features, their associated user documentation, and their customer support.

Standards

The US Access Board created Section 508 of the Federal Acquisition Regulation (FAR) standards to address access to information and communication technology (ICT) for people with physical, sensory, or cognitive disabilities.

The standards contain technical criteria specific to various types of technologies, as well as performance-based requirements which focus on functional capabilities of covered products. Specific criteria cover software applications and operating systems, web-based information and applications, computers, telecommunications products, video and multimedia, and self-contained closed products.

Mandate 376 – EN 301 549

The European Union created the EN 301 549 standard within Mandate 376 as an online toolkit for public procurement of ICT products. The standard specifies the accessibility requirements applicable to ICT products and services, with a description of the test procedures and evaluation methodology for each requirement.

Web Content Accessibility Guidelines (WCAG)

Web Content Accessibility Guidelines (WCAG) from the W3C's Web Accessibility Initiative (WAI) helps web designers and developers create sites that better meet the needs of people with disabilities or age-related limitations.

WCAG advances accessibility across the full range of web content (text, images, audio, and video) and web applications. WCAG can be precisely tested, is easy to understand and use, and allows web developers flexibility for innovation. WCAG 2.0 has also been approved as [ISO/IEC 40500:2012](#).

WCAG specifically addresses barriers to accessing the web experienced by people with visual, auditory, physical, cognitive, and neurological disabilities, and by older web users with accessibility needs. WCAG 2.0 provides characteristics of accessible content:

- **Perceivable** (for instance, by addressing text alternatives for images, captions for audio, adaptability of presentation, and color contrast)
- **Operable** (by addressing keyboard access, color contrast, timing of input, seizure avoidance, and navigability)
- **Understandable** (by addressing readability, predictability, and input assistance)
- **Robust** (for instance, by addressing compatibility with assistive technologies)

Legislation and regulations

Accessibility of IT and information has become an area of increasing legislative importance. These links provide information about key legislation, regulations, and standards.

- [United States](#)
- [Canada](#)
- [Europe](#)
- [Australia](#)

Useful accessibility resources and links

These organizations, institutions, and resources might be good sources of information about disabilities and age-related limitations.



NOTE: This is not an exhaustive list. These organizations are provided for informational purposes only. HP assumes no responsibility for information or contacts you encounter on the internet. Listing on this page does not imply endorsement by HP.

Organizations

These organizations are a few of the many that provide information about disabilities and age-related limitations.

- American Association of People with Disabilities (AAPD)
- The Association of Assistive Technology Act Programs (ATAP)
- Hearing Loss Association of America (HLAA)
- Information Technology Technical Assistance and Training Center (ITTATC)
- Lighthouse International
- National Association of the Deaf
- National Federation of the Blind
- Rehabilitation Engineering & Assistive Technology Society of North America (RESNA)
- Telecommunications for the Deaf and Hard of Hearing, Inc. (TDI)
- W3C Web Accessibility Initiative (WAI)

Educational institutions

Many educational institutions, including these examples, provide information about disabilities and age-related limitations.

- California State University, Northridge, Center on Disabilities (CSUN)
- University of Wisconsin - Madison, Trace Center
- University of Minnesota computer accommodations program

Other disability resources

Many resources, including these examples, provide information about disabilities and age-related limitations.

- ADA (Americans with Disabilities Act) Technical Assistance Program
- ILO Global Business and Disability network
- EnableMart
- European Disability Forum
- Job Accommodation Network
- Microsoft Enable

HP links

These HP-specific links provide information that relates to disabilities and age-related limitations.

[HP comfort and safety guide](#)

[HP public sector sales](#)

Contacting support

HP offers technical support and assistance with accessibility options for customers with disabilities.



NOTE: Support is in English only.

- Customers who are deaf or hard of hearing who have questions about technical support or accessibility of HP products:
 - Use TRS/VRS/WebCapTel to call (877) 656-7058 Monday through Friday, 6 a.m. to 9 p.m. Mountain Time.
- Customers with other disabilities or age-related limitations who have questions about technical support or accessibility of HP products:
 - Call (888) 259-5707 Monday through Friday, 6 a.m. to 9 p.m. Mountain Time.

Index

A

- accessibility 30, 31, 33, 34
- accessibility needs
 - assessment 31
- adjusting the head unit on a performance stand 7
- assistive technology (AT)
 - finding 31
 - purpose 30
- AT (assistive technology)
 - finding 31
 - purpose 30

C

- calibrating the touch screen 23
- caring for your computer 25
- cleaning your computer 25
 - disinfecting 26
 - removing dirt and debris 26
- column hub cabling 12
- column hub features 5
- computer operating guidelines 25
- configure
 - peripheral modules 23
 - powered serial ports 14
- configuring the software 23
- customer support, accessibility 34

D

- downloading HP Firmware Installer 24

E

- electrostatic discharge 29
- enable Wake-on Touch 23

F

- fanless hub features 4
- firmware update 24

H

- hardware setup 11
- HP Assistive Policy 30

I

- install
 - security cable on Engage One Pro 9
 - security cable on the fanless hub 9
- installing
 - customer-facing display 20
 - slim VESA mount 17
- installing updates 24
- integrated features 2
- International Association of Accessibility Professionals 31

M

- maintenance
 - MSR 27
 - touch screen 27
- mount
 - Engage One Pro to a countertop 15
- MSR maintenance 27

P

- power button
 - Engage One Pro 6
 - fanless hub 6

R

- removing
 - Performance stand door 12
 - Pro stand door 12
 - Vertical stand cover 13
- resources, accessibility 33

S

- Section 508 accessibility standards 32
- serial number location
 - Engage One Pro 8
 - fanless hub 8
- setup 11
- shipping preparation 27
- software 23
- standards and legislation, accessibility 32

- stands 3

T

- tilting the head unit on a Pro stand 7
- tilting the head unit on a vertical stand 7
- tools needed 11
- touch screen calibration 23
- touch screen maintenance 27

U

- update Engage One Pro 24

V

- ventilation guidelines 25
- VESA hub features 4

W

- Wake-on Touch 23
- WOT 23