

Galaxy VS

UPS for External Batteries

Installation

20-150 kW 380/400/415/440/480 V

10-75 kW 200/208/220 V

Latest updates are available on the Schneider Electric website
1/2022



Legal Information

The Schneider Electric brand and any trademarks of Schneider Electric SE and its subsidiaries referred to in this guide are the property of Schneider Electric SE or its subsidiaries. All other brands may be trademarks of their respective owners.

This guide and its content are protected under applicable copyright laws and furnished for informational use only. No part of this guide may be reproduced or transmitted in any form or by any means (electronic, mechanical, photocopying, recording, or otherwise), for any purpose, without the prior written permission of Schneider Electric.

Schneider Electric does not grant any right or license for commercial use of the guide or its content, except for a non-exclusive and personal license to consult it on an "as is" basis. Schneider Electric products and equipment should be installed, operated, serviced, and maintained only by qualified personnel.

As standards, specifications, and designs change from time to time, information contained in this guide may be subject to change without notice.

To the extent permitted by applicable law, no responsibility or liability is assumed by Schneider Electric and its subsidiaries for any errors or omissions in the informational content of this material or consequences arising out of or resulting from the use of the information contained herein.

IEC



UL



Go to

IEC: https://www.productinfo.schneider-electric.com/portals/ui/galaxyvs_iec/ or

UL: https://www.productinfo.schneider-electric.com/portals/ui/galaxyvs_ul/

or scan the QR code above for digital experience and translated manuals.

Table of Contents

Important Safety Instructions — SAVE THESE	
INSTRUCTIONS	5
FCC Statement	6
Electromagnetic Compatibility	6
Safety Precautions	6
Electrical Safety	9
Battery Safety	9
Symbols Used	11
ENERGY STAR Qualification	13
Specifications	14
Specifications for 400 V Systems	14
Input Specifications 400 V	14
Bypass Specifications 400 V	15
Output Specifications 400 V	16
Battery Specifications 400 V	17
Recommended Cable Sizes 400 V	18
Recommended Upstream Protection 400 V	20
Specifications for 440 V Marine Systems	22
Input Specifications 440 V Marine Systems	22
Bypass Specifications 440 V Marine Systems	22
Output Specifications 440 V Marine Systems	23
Battery Specifications 440 V Marine Systems	23
Recommended Cable Sizes 440 V Marine Systems	24
Recommended Upstream Protection 440 V Marine Systems	25
Specifications for 480 V Systems	27
Input Specifications 480 V	27
Bypass Specifications 480 V	28
Output Specifications 480 V	29
Battery Specifications 480 V	30
Recommended Cable Sizes 480 V	31
Recommended Upstream Protection 480 V	33
Specifications for 208 V Systems	35
Input Specifications 208 V	35
Bypass Specifications 208 V	36
Output Specifications 208 V	37
Battery Specifications 208 V	38
Recommended Cable Sizes 208 V	39
Recommended Upstream Protection 208 V	41
Recommended Bolt and Lug Sizes	43
Torque Specifications	44
Requirements for a Third Party Battery Solution	45
Third Party Battery Breaker Requirements	45
Guidance for Organizing Battery Cables	46
Environment	46
UPS Weights and Dimensions	47
Clearance	48
Single System Overview	49

- Parallel System Overview..... 50
- Overview of Installation Kits 53
 - Optional Seismic Kit GVSOPT002 54
 - Optional NEMA 2 Hole Kit GVSOPT005 54
 - Optional Parallel Kit GVSOPT006 55
 - Optional Kit GVSOPT030 56
- Installation Procedure for Single Systems 57
- Installation Procedure for Parallel Systems 58
- Installation Procedure for Single Marine Systems 59
- Installation Procedure for Parallel Marine Systems 60
- Prepare for Installation 61
- Install the Power Module(s) 65
- Install the Seismic Anchoring (Option) 66
- Prepare the UPS for TN-C/480 V Solid-Grounded System 67
- Connect the Power Cables 68
- Connect the Power Cables with NEMA 2 Hole Plates 72
- Connect the Signal Cables 76
- Connect the Signal Cables from a Modular Battery Cabinet 78
- Connect the Signal Cables from Switchgear and Third-Party
Auxiliary Products 80
- Connect the IMB Signal Cables in a Simplified 1+1 Parallel
System 84
- Connect the PBUS Cables 88
- Connect the External Communication Cables 89
 - Connect the Modbus Cables 90
- Add Translated Safety Labels to Your Product 91
- Final Installation 92

Important Safety Instructions — SAVE THESE INSTRUCTIONS

Read these instructions carefully and look at the equipment to become familiar with it before trying to install, operate, service or maintain it. The following safety messages may appear throughout this manual or on the equipment to warn of potential hazards or to call attention to information that clarifies or simplifies a procedure.



The addition of this symbol to a “Danger” or “Warning” safety message indicates that an electrical hazard exists which will result in personal injury if the instructions are not followed.



This is the safety alert symbol. It is used to alert you to potential personal injury hazards. Obey all safety messages with this symbol to avoid possible injury or death.

DANGER

DANGER indicates a hazardous situation which, if not avoided, **will result in death or serious injury.**

Failure to follow these instructions will result in death or serious injury.

WARNING

WARNING indicates a hazardous situation which, if not avoided, **could result in death or serious injury.**

Failure to follow these instructions can result in death, serious injury, or equipment damage.

CAUTION

CAUTION indicates a hazardous situation which, if not avoided, **could result in minor or moderate injury.**

Failure to follow these instructions can result in injury or equipment damage.

NOTICE

NOTICE is used to address practices not related to physical injury. The safety alert symbol shall not be used with this type of safety message.

Failure to follow these instructions can result in equipment damage.

Please Note

Electrical equipment should only be installed, operated, serviced, and maintained by qualified personnel. No responsibility is assumed by Schneider Electric for any consequences arising out of the use of this material.

A qualified person is one who has skills and knowledge related to the construction, installation, and operation of electrical equipment and has received safety training to recognize and avoid the hazards involved.

FCC Statement

NOTE: This equipment has been tested and found to comply with the limits for a Class A digital device, pursuant to Part 15 of the FCC Rules. These limits are designed to provide reasonable protection against harmful interference when the equipment is operated in a commercial environment. This equipment generates, uses, and can radiate radio frequency energy and, if not installed and used in accordance with the instruction manual, may cause harmful interference to radio communications. Operation of this equipment in a residential area is likely to cause harmful interference in which case the user will be required to correct the interference at his own expense.

Any changes or modifications not expressly approved by the party responsible for compliance could void the user's authority to operate the equipment.

Electromagnetic Compatibility

NOTICE

RISK OF ELECTROMAGNETIC DISTURBANCE

This is a product category C2 UPS product. In a residential environment, this product may cause radio interference, in which case the user may be required to take additional measures.

Failure to follow these instructions can result in equipment damage.

Safety Precautions

DANGER

HAZARD OF ELECTRIC SHOCK, EXPLOSION, OR ARC FLASH

All safety instructions in this document must be read, understood and followed.

Failure to follow these instructions will result in death or serious injury.

DANGER

HAZARD OF ELECTRIC SHOCK, EXPLOSION, OR ARC FLASH

Read all instructions in the installation manual before installing or working on this UPS system.

Failure to follow these instructions will result in death or serious injury.

DANGER

HAZARD OF ELECTRIC SHOCK, EXPLOSION, OR ARC FLASH

Do not install the UPS system until all construction work has been completed and the installation room has been cleaned. If additional construction work is needed in the installation room after the UPS has been installed, turn off the UPS and cover the UPS with the protective packaging bag the UPS was delivered in.

Failure to follow these instructions will result in death or serious injury.

⚠️⚠️ DANGER

HAZARD OF ELECTRIC SHOCK, EXPLOSION, OR ARC FLASH

- The product must be installed according to the specifications and requirements as defined by Schneider Electric. It concerns in particular the external and internal protections (upstream breakers, battery breakers, cabling, etc.) and environmental requirements. No responsibility is assumed by Schneider Electric if these requirements are not respected.
- After the UPS system has been electrically wired, do not start up the system. Start-up must only be performed by Schneider Electric.

Failure to follow these instructions will result in death or serious injury.

⚠️⚠️ DANGER

HAZARD OF ELECTRIC SHOCK, EXPLOSION, OR ARC FLASH

The UPS system must be installed according to local and national regulations. Install the UPS according to:

- IEC 60364 (including 60364-4-41 – protection against electric shock, 60364-4-42 – protection against thermal effect, and 60364-4-43 – protection against overcurrent), **or**
- NEC NFPA 70, **or**
- Canadian Electrical Code (C22.1, Part 1)

depending on which one of the standards apply in your local area.

Failure to follow these instructions will result in death or serious injury.

⚠️⚠️ DANGER

HAZARD OF ELECTRIC SHOCK, EXPLOSION, OR ARC FLASH

- Install the UPS system in a temperature controlled indoor environment free of conductive contaminants and humidity.
- Install the UPS system on a non-flammable, level and solid surface (e.g. concrete) that can support the weight of the system.

Failure to follow these instructions will result in death or serious injury.

⚠️⚠️ DANGER

HAZARD OF ELECTRIC SHOCK, EXPLOSION, OR ARC FLASH

The UPS is not designed for and must therefore not be installed in the following unusual operating environments:

- Damaging fumes
- Explosive mixtures of dust or gases, corrosive gases, or conductive or radiant heat from other sources
- Moisture, abrasive dust, steam or in an excessively damp environment
- Fungus, insects, vermin
- Salt-laden air or contaminated cooling refrigerant
- Pollution degree higher than 2 according to IEC 60664-1
- Exposure to abnormal vibrations, shocks, and tilting
- Exposure to direct sunlight, heat sources, or strong electromagnetic fields

Failure to follow these instructions will result in death or serious injury.

⚡⚠ DANGER**HAZARD OF ELECTRIC SHOCK, EXPLOSION, OR ARC FLASH**

Do not drill or cut holes for cables or conduits with the gland plates installed and do not drill or cut holes in close proximity to the UPS.

Failure to follow these instructions will result in death or serious injury.

⚡⚠ WARNING**HAZARD OF ARC FLASH**

Do not make mechanical changes to the product (including removal of cabinet parts or drilling/cutting of holes) that are not described in the installation manual.

Failure to follow these instructions can result in death, serious injury, or equipment damage.

NOTICE**RISK OF OVERHEATING**

Respect the space requirements around the UPS system and do not cover the UPS ventilation openings when the UPS system is in operation.

Failure to follow these instructions can result in equipment damage.

NOTICE**RISK OF EQUIPMENT DAMAGE**

Do not connect the UPS output to regenerative load systems including photovoltaic systems and speed drives.

Failure to follow these instructions can result in equipment damage.

Electrical Safety

DANGER

HAZARD OF ELECTRIC SHOCK, EXPLOSION OR ARC FLASH

- Electrical equipment must be installed, operated, serviced, and maintained only by qualified personnel.
- Apply appropriate personal protective equipment (PPE) and follow safe electrical work practices.
- Turn off all power supplying the UPS system before working on or inside the equipment.
- Before working on the UPS system, check for hazardous voltage between all terminals including the protective earth.
- The UPS contains an internal energy source. Hazardous voltage can be present even when disconnected from the utility/mains supply. Before installing or servicing the UPS system, ensure that the units are OFF and that utility/mains and batteries are disconnected. Wait five minutes before opening the UPS to allow the capacitors to discharge.
- A disconnection device (e.g. disconnection circuit breaker or switch) must be installed to enable isolation of the system from upstream power sources in accordance with local regulations. This disconnection device must be easily accessible and visible.
- The UPS must be properly earthed/grounded and due to a high leakage current, the earthing/grounding conductor must be connected first.

Failure to follow these instructions will result in death or serious injury.

Battery Safety

DANGER

HAZARD OF ELECTRIC SHOCK, EXPLOSION, OR ARC FLASH

- Battery circuit breakers must be installed according to the specifications and requirements as defined by Schneider Electric.
- Servicing of batteries must only be performed or supervised by qualified personnel knowledgeable of batteries and the required precautions. Keep unqualified personnel away from batteries.
- Disconnect charging source prior to connecting or disconnecting battery terminals.
- Do not dispose of batteries in a fire as they can explode.
- Do not open, alter, or mutilate batteries. Released electrolyte is harmful to the skin and eyes. It may be toxic.

Failure to follow these instructions will result in death or serious injury.

⚡⚠ DANGER**HAZARD OF ELECTRIC SHOCK, EXPLOSION, OR ARC FLASH**

Batteries can present a risk of electric shock and high short-circuit current. The following precautions must be observed when working on batteries

- Remove watches, rings, or other metal objects.
- Use tools with insulated handles.
- Wear protective glasses, gloves and boots.
- Do not lay tools or metal parts on top of batteries.
- Disconnect the charging source prior to connecting or disconnecting battery terminals.
- Determine if the battery is inadvertently grounded. If inadvertently grounded, remove source from ground. Contact with any part of a grounded battery can result in electric shock. The likelihood of such shock can be reduced if such grounds are removed during installation and maintenance (applicable to equipment and remote battery supplies not having a grounded supply circuit).

Failure to follow these instructions will result in death or serious injury.

⚡⚠ DANGER**HAZARD OF ELECTRIC SHOCK, EXPLOSION, OR ARC FLASH**

When replacing batteries, always replace with the same type and number of batteries or battery packs.

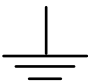

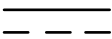




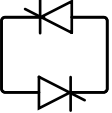


Failure to follow these instructions will result in death or serious injury.

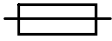
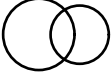
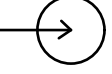
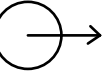
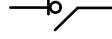
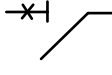


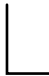
⚠ CAUTION**RISK OF EQUIPMENT DAMAGE**

- Mount the batteries in the UPS system, but do not connect the batteries until the UPS system is ready to be powered up. The time duration from battery connection until the UPS system is powered up must not exceed 72 hours or 3 days.
- Batteries must not be stored more than six months due to the requirement of recharging. If the UPS system remains de-energized for a long period, we recommend that you energize the UPS system for a period of 24 hours at least once every month. This charges the batteries, thus avoiding irreversible damage.

Failure to follow these instructions can result in injury or equipment damage.

Symbols Used

	<p>Earthing/ground symbol.</p>
	<p>Protective earth (PE)/equipment grounding conductor (EGC) symbol.</p>
	<p>Direct current (DC) symbol.</p>
	<p>Alternating current (AC) symbol.</p>
	<p>Positive polarity symbol. It is used to identify the positive terminal(s) of equipment which is used with, or generates direct current.</p>
	<p>Negative polarity symbol. It is used to identify the negative terminal(s) of equipment which is used with, or generates direct current.</p>
	<p>Battery symbol.</p>
	<p>Static switch symbol. It is used to indicate switches that are designed to connect or disconnect the load to or from the supply respectively without the existence of moving parts.</p>
	<p>AC/DC converter (rectifier) symbol. It is used to identify an AC/DC converter (rectifier) and, in case of plug-in devices, to identify the relevant receptacles.</p>
	<p>DC/AC converter (inverter) symbol. It is used to identify an DC/AC converter (inverter) and, in case of plug-in devices, to identify the relevant receptacles.</p>

	<p>Fuse symbol. It is used to identify fuse boxes or their locations.</p>
	<p>Transformer symbol.</p>
	<p>Input symbol. It is used to identify an input terminal when it is necessary to distinguish between inputs and outputs.</p>
	<p>Output symbol. It is used to identify an output terminal when it is necessary to distinguish between inputs and outputs.</p>
	<p>Switch disconnecter symbol. It is used to identify the disconnecting device in the form of switch that protects the equipment from short circuit or heavy load current. It opens the circuits once the current flow crosses its maximum limit.</p>
	<p>Circuit breaker symbol. It is used to identify the disconnecting device in the form of circuit breaker that protects the equipment from short circuit or heavy load current. It opens the circuits once the current flow crosses its maximum limit.</p>
	<p>Disconnection device symbol. It is used to identify the disconnecting device in the form of circuit breaker or switch that protects the equipment from short circuit or heavy load current. It opens the circuits once the current flow crosses its maximum limit.</p>
	<p>Neutral symbol. It is used to identify the neutral conductors or their locations.</p>
	<p>Phase conductor symbol. It is used to identify the phase conductors or their locations.</p>

ENERGY STAR Qualification



Select models are ENERGY STAR® qualified.
For more information on your specific model go to www.se.com.

Specifications

Specifications for 400 V Systems

Input Specifications 400 V

UPS rating	20 kW	30 kW	40 kW	50 kW	60 kW	80 kW	100 kW	120 kW	150 kW
Voltage (V)	380/400/415								
Connections	4-wire (L1, L2, L3, N, PE) WYE (single mains) 3-wire (L1, L2, L3, PE) WYE (dual mains) ^{1 2}								
Input voltage range (V)	380 V: 331-437 400 V: 340-460 415 V: 353-477								
Frequency range (Hz)	40-70								
Nominal input current (A)	32/30/29	47/45/43	63/60/58	79/75/72	95/90/87	126/120/116	158/150/144	189/180/173	237/225/217
Maximum input current (A)	38/36/35	57/54/52	76/72/69	91/90/87	114/108/104	151/144/139	182/180/173	227/216/208	273/270/260
Input current limitation (A)	39/37/36	59/56/54	78/74/72	91/91/90	117/111/107	156/148/143	182/182/179	234/222/214	273/273/268
Input power factor	0.99 for load greater than 50% 0.95 for load greater than 25%								
Total harmonic distortion (THDI)	<5% at 100% load	<3% at 100% load							
Maximum short circuit rating	65 kA RMS								
Protection	Built-in backfeed protection and fuses								
Ramp-in	Programmable and adaptive 1-40 seconds								

NOTE: For a UPS with N+1 power module, the input power factor is 0.99 at 100% load and the total harmonic distortion (THDI) is <6% at full linear load (symmetrical).

1. TN and TT power distribution systems are supported. Corner (line) grounding is not supported.
2. **Only for dual mains system with upstream 4-pole breakers:** Install an N connection with the input cables (L1, L2, L3, N, PE). Refer to earthing schematics for TN-S dual mains 4-pole circuit breaker.

Bypass Specifications 400 V


UPS rating	20 kW	30 kW	40 kW	50 kW	60 kW	80 kW	100 kW	120 kW	150 kW
Voltage (V)	380/400/415								
Connections	4-wire (L1, L2, L3, N, PE) WYE								
Bypass voltage range (V)	380 V: 342-418 400 V: 360-440 415 V: 374-457								
Frequency range (Hz)	50/60 ± 1, 50/60 ± 3, 50/60 ± 10 (user selectable)								
Nominal bypass current (A)	31/29/28	46/44/42	61/58/56	77/73/70	92/87/84	123/117/112	153/146/141	184/175/169	230/219/211
Nominal neutral current (A) ³	53/50/48	79/75/72	105/100/96	131/125/120	158/150/144	210/200/193	263/250/241	263/250/241	263/250/241
Maximum short circuit rating	65 kA RMS								
Protection	Built-in backfeed protection and fuses Internal fuse specifications: Rated 400 A, prearcing 33 kA ² s							Built-in backfeed protection and fuses Internal fuse specifications: Rated 550 A, prearcing 52 kA ² s	

3. Harmonic currents in neutral are only considered to be 1.73 x nominal up till 100 kW. Above 100 kW only resistive load is considered.

Output Specifications 400 V

UPS rating	20 kW	30 kW	40 kW	50 kW	60 kW	80 kW	100 kW	120 kW	150 kW
Voltage (V)	380/400/415								
Connections	4-wire (L1, L2, L3, N, PE)								
Output voltage regulation	Symmetrical load $\pm 1\%$ Asymmetrical load $\pm 3\%$								
Overload capacity	150% for 1 minute (in normal operation) 125% for 10 minutes (in normal operation) 125% for 1 minute (in battery operation) 110% continuous (bypass operation) 1000% for 100 milliseconds (bypass operation)								
Dynamic load response	$\pm 5\%$ after 2 milliseconds $\pm 1\%$ after 50 milliseconds								
Output power factor	1								
Nominal output current (A)	30/29/28	46/43/42	61/58/56	76/72/70	91/87/83	122/115/ 111	152/144/ 139	182/173/ 167	228/217/ 209
Frequency regulation (Hz)	50/60 Hz bypass synchronized – 50/60 Hz $\pm 0.1\%$ free-running								
Synchronized slew rate (Hz/sec)	Programmable to 0.25, 0.5, 1, 2, 4, 6								
Output performance classification (according to IEC 62040-3:2021)	VFI-SS-11								
Total harmonic distortion (THDU)	<1% for linear load <5% for non-linear load								
Load crest factor	2.5								
Load power factor	From 0.7 leading to 0.7 lagging without any derating								

Battery Specifications 400 V

 **DANGER**

HAZARD OF ELECTRIC SHOCK, EXPLOSION, OR ARC FLASH

- Protection of the energy storage device: An overcurrent protective device must be located in close proximity to the energy storage device.
- Trip delay must be set to zero on all battery breakers.


Failure to follow these instructions will result in death or serious injury.

UPS rating	20 kW	30 kW	40 kW	50 kW	60 kW	80 kW	100 kW	120 kW	150 kW
Charging power in % of output power at 0-40% load ⁴	80%								
Charging power in % of output power at 100% load	20% ⁵								
Maximum charging power (at 0-40% load) (kW) ⁴	16	24	32	40	48	64	80	96	120
Maximum charging power (at 100% load) (kW)	4	6	8	10	12	16	20	24	30
Nominal battery voltage (VDC)	32-48 blocks: 384-576			40-48 blocks: 480-576	35-48 blocks: 420-576	32-48 blocks: 384-576	40-48 blocks: 480-576		
Nominal float voltage (VDC)	32-48 blocks: 436-654			40-48 blocks: 545-654	35-48 blocks: 477-654	32-48 blocks: 436-654	40-48 blocks: 545-654		
Maximum boost voltage (VDC)	720 for 48 blocks								
Temperature compensation (per cell)	-3.3mV/°C, for T ≥ 25 °C – 0mV/°C, for T < 25 °C								
End of discharge voltage (full load) (VDC)	32 blocks: 307			40 blocks: 384	35 blocks: 336	32 blocks: 307	40 blocks: 384		
Battery current at full load and nominal battery voltage (A) ⁶	54	81	109	109	130	174	217	260	326
Battery current at full load and minimum battery voltage (A) ⁶	68	102	136	136	163	217	271	326	407
Ripple current	< 5% C20 (5 minute runtime)								
Battery test	Manual/automatic (selectable)								
Maximum short circuit rating	10 kA								

NOTE: For a 60 kW UPS with N+1 power module, the supported battery block quantity is 32-48 blocks.

4. Values based on 48 blocks.
 5. At 380 V only 15% for 50 kW, 100 kW, and 150 kW.
 6. Values based on 20-40 kW: 32 blocks; 50-150 kW: 40 blocks.

Recommended Cable Sizes 400 V

 **DANGER**

HAZARD OF ELECTRIC SHOCK, EXPLOSION, OR ARC FLASH

All wiring must comply with all applicable national and/or electrical codes. The maximum allowable cable size is 150 mm².

Failure to follow these instructions will result in death or serious injury.

The maximum number of cable connections per busbar: Two on input/output/bypass busbars; Four on DC+/DC- busbars; Six on N/PE busbars.

NOTE: Overcurrent protection is to be provided by others.

Cable sizes in this manual are based on table B.52.3 and table B.52.5 of IEC 60364-5-52 with the following assertions:

- 90 °C conductors
- An ambient temperature of 30 °C
- Use of copper or aluminum conductors
- Installation method C

PE cable size is based on table 54.2 of IEC 60364-4-54.

If the ambient temperature is greater than 30 °C, larger conductors are to be selected in accordance with the correction factors of the IEC.

NOTE: For the scalable UPS (GVSUPS50K150HS), always size the cables for a UPS rating of 150 kW.

NOTE: Recommended cable sizes and maximum allowable cable size may vary for the auxiliary products. Not all auxiliary products support aluminum cables. Refer to the installation manual provided with the auxiliary product.

NOTE: The DC cable sizes given here are recommendations – Always follow the specific instructions in the battery solution documentation for DC cable sizes and DC PE cable sizes and ensure that the DC cable sizes match the battery breaker rating.

NOTE: Neutral conductor is sized to handle 1.73 times phase current in case of high harmonic content from non-linear loads. If non or less harmonic currents are expected, neutral conductor can be sized accordingly but not less than the phase conductor.

NOTE: 20-40 kW: DC cables are sized according to 32 battery blocks. 50-100 kW: DC cables are sized according to 40 battery blocks.

Copper

UPS rating	20 kW	30 kW	40 kW	50 kW	60 kW	80 kW	100 kW	120 kW	150 kW
Input phases (mm ²)	6	10	16	25	35	50	70	95	120
Input PE (mm ²)	6	10	16	16	16	25	35	50	70
Bypass/output phases (mm ²)	6	6	10	16	25	35	50	70	95
Bypass PE/output PE (mm ²)	6	6	10	16	16	16	25	35	50
Neutral (mm ²)	10	16	25	35	50	70	95	95	95
DC+/DC- (mm ²)	10	25	35	35	50	70	95	95	120
DC PE (mm ²)	10	16	16	16	25	35	50	50	70

Aluminum

UPS rating	20 kW	30 kW	40 kW	50 kW	60 kW	80 kW	100 kW	120 kW	150 kW
Input phases (mm ²)	6	16	25	35	50	70	95	120	150
Input PE (mm ²)	6	16	16	16	25	35	50	70	95
Bypass/output phases (mm ²)	6	10	16	25	35	50	70	95	150
Bypass PE/output PE (mm ²)	6	10	16	16	16	25	35	50	95
Neutral (mm ²)	10	25	35	50	70	95	2 x 70	2 x 70	2 x 70
DC+/DC- (mm ²)	16	35	50	50	70	95	2 x 70	2 x 70	2 x 95
DC PE (mm ²)	16	16	25	25	35	50	70	70	95

Recommended Upstream Protection 400 V

DANGER

HAZARD OF ELECTRIC SHOCK, EXPLOSION, OR ARC FLASH

- For parallel systems, instantaneous override (li) values must not be set higher than 1250 A. Place the label 885-92556 adjacent to the upstream circuit breaker to inform about the hazard.
- For UPS rating 20-120 kW: In parallel systems with three or more UPSs, a circuit breaker must be installed on the output of each UPS. The unit output breaker (UOB) instantaneous override (li) values must not be set higher than 1250 A.
- For UPS rating 150 kW: In parallel systems with two or more UPSs, a circuit breaker must be installed on the output of each UPS. The unit output breaker (UOB) instantaneous override (li) values must not be set higher than 1250 A.

Failure to follow these instructions will result in death or serious injury.

NOTE: Only 3-pole circuit breakers are listed in the table below. For countries where local directives require 4-pole breakers in all positions, the listed references for breakers must be revised for ordering of breakers.

NOTE: For 4-pole breakers in bypass and if neutral conductor is expected to carry a high current, due to line-neutral non-linear load, the circuit breaker must be rated according to expected neutral current.

NOTE: For the scalable UPS (GVSUPS50K150HS), always size the upstream protection for a UPS rating of 150 kW.

UPS rating	20 kW		30 kW		40 kW	
	Input	Bypass	Input	Bypass	Input	Bypass
Breaker type	NSX100H TM40D (LV429674)	NSX100H TM32D (LV429675)	NSX100H TM63D (LV429672)	NSX100H TM50D (LV429673)	NSX100H TM80D (LV429671)	NSX100H TM63D (LV429672)
In	40	32	63	50	80	63
Ir	40	32	63	50	80	63
Im	500 (fixed)	400 (fixed)	500 (fixed)	500 (fixed)	640 (fixed)	500 (fixed)

UPS rating	50 kW		60 kW		80 kW		100 kW	
	Input	Bypass	Input	Bypass	Input	Bypass	Input	Bypass
Breaker type	NSX100H TM100D (LV429670)	NSX100H TM80D (LV429671)	NSX160H TM125D (LV430671)	NSX100H TM100D (LV429670)	NSX160H TM160D (LV430670)	NSX160H TM125D (LV430671)	NSX250H TM200D (LV431671)	NSX160H TM160D (LV430670)
In	100	80	125	100	160	125	200	160
Ir	100	80	125	100	160	125	200	160
Im	800 (fixed)	640 (fixed)	1250 (fixed)	800 (fixed)	1250 (fixed)	1250 (fixed)	≤6 x In	1250 (fixed)

UPS rating	120 kW		150 kW	
	Input	Bypass	Input	Bypass
Breaker type	NSX250H TM250D (LV431670)	NSX250H TM200 (LV431671)	NSX400H Mic.L5 (LV432701)	NSX250H TM250 (LV431670)
In/Io	250	200	280	250
Ir	250	200	—	250
tr	—	—	0.5	—
Im/Isd	≤5 x In	≤6 x In	10	≤5 x In

UPS rating	120 kW		150 kW	
	Input	Bypass	Input	Bypass
tsd	—	—	0	—
li	—	—	$\leq 4.5 \times I_n$	—

Specifications for 440 V Marine Systems

NOTE: 440 V is only applicable for the marine UPS models.

Input Specifications 440 V Marine Systems

UPS rating	20 kW	30 kW	40 kW	50 kW	60 kW	80 kW	100 kW	120 kW	150 kW
Connections	3-wire (L1, L2, L3, PE) WYE or 4-wire (L1, L2, L3, N, PE) WYE (single mains) 3-wire (L1, L2, L3, PE) WYE (dual mains)								
Input voltage range (V)	374-506								
Frequency range (Hz)	40-70								
Nominal input current (A)	28	41	55	69	82	109	137	165	204
Maximum input current (A)	33	50	65	81	97	129	163	196	244
Input current limitation (A)	34	52	67	84	101	134	168	202	252
Input power factor	0.99 for load greater than 50% 0.95 for load greater than 25%								
Total harmonic distortion (THDI)	<5% at 100% load			<3% at 100% load	<5% at 100% load		<3% at 100% load	<5% at 100% load	<3% at 100% load
Maximum short circuit rating	65 kA RMS								
Protection	Built-in backfeed protection and fuses								
Ramp-in	Programmable and adaptive 1-40 seconds								

NOTE: For a UPS with N+1 power module, the input power factor is 0.99 at 100% load and the total harmonic distortion (THDI) is <6% at full linear load (symmetrical).

Bypass Specifications 440 V Marine Systems


UPS rating	20 kW	30 kW	40 kW	50 kW	60 kW	80 kW	100 kW	120 kW	150 kW
Connections	3-wire (L1, L2, L3, PE) WYE or 4-wire (L1, L2, L3, N, PE) WYE								
Bypass voltage range (V)	396-484								
Frequency range (Hz)	50/60 ± 1, 50/60 ± 3, 50/60 ± 10 (user selectable)								
Nominal bypass current (A)	26	39	53	67	80	106	132	159	199
Nominal neutral current (A) ⁷	45	67	92	116	138	183	228	228	228
Maximum short circuit rating	65 kA RMS								
Protection	Built-in backfeed protection and fuses Internal fuse specifications: Rated 400 A, prearcing 33 kA ² s							Built-in backfeed protection and fuses Internal fuse specifications: Rated 550 A, prearcing 52 kA ² s	

7. Harmonic currents in neutral are only considered to be 1.73 x nominal up till 100 kW. Above 100 kW only resistive load is considered.

Output Specifications 440 V Marine Systems

UPS rating	20 kW	30 kW	40 kW	50 kW	60 kW	80 kW	100 kW	120 kW	150 kW
Connections	3-wire (L1, L2, L3, PE) or 4-wire (L1, L2, L3, N, PE)								
Output voltage regulation	Symmetrical load $\pm 1\%$ Asymmetrical load $\pm 3\%$								
Overload capacity	150% for 1 minute (in normal operation) 125% for 10 minutes (in normal operation) 125% for 1 minute (in battery operation) 125% continuous (bypass operation) 1000% for 100 milliseconds (bypass operation)								
Dynamic load response	$\pm 5\%$ after 2 milliseconds $\pm 1\%$ after 50 milliseconds								
Output power factor	1								
Nominal output current (A)	26	39	52	66	79	105	131	157	197
Frequency regulation (Hz)	50/60 Hz bypass synchronized – 50/60 Hz $\pm 0.1\%$ free-running								
Synchronized slew rate (Hz/sec)	Programmable to 0.25, 0.5, 1, 2, 4, 6								
Total harmonic distortion (THDU)	<1% for linear load <5% for non-linear load								
Load crest factor	2.5								
Load power factor	From 0.7 leading to 0.7 lagging without any derating								

Battery Specifications 440 V Marine Systems


DANGER

HAZARD OF ELECTRIC SHOCK, EXPLOSION, OR ARC FLASH

- Protection of the energy storage device: An overcurrent protective device must be located in close proximity to the energy storage device.
- Trip delay must be set to zero on all battery breakers.

Failure to follow these instructions will result in death or serious injury.

UPS rating	20 kW	30 kW	40 kW	50 kW	60 kW	80 kW	100 kW	120 kW	150 kW
Charging power in % of output power at 0-40% load ⁸	80%								
Charging power in % of output power at 100% load	20%								
Maximum charging power (at 0-40% load) (kW) ⁸	16	24	32	40	48	64	80	96	120
Maximum charging power (at 100% load) (kW)	4	6	8	10	12	16	20	24	30
Nominal battery voltage (VDC)	32-48 blocks: 384-576			40-48 blocks: 480-576	35-48 blocks: 420-576	32-48 blocks: 384-576	40-48 blocks: 480-576		
Nominal float voltage (VDC)	32-48 blocks: 436-654			40-48 blocks: 545-654	35-48 blocks: 477-654	32-48 blocks: 436-654	40-48 blocks: 545-654		
Maximum boost voltage (VDC)	720 for 48 blocks								

8. Values based on 48 blocks.

UPS rating	20 kW	30 kW	40 kW	50 kW	60 kW	80 kW	100 kW	120 kW	150 kW
Temperature compensation (per cell)	-3.3mV/°C, for T ≥ 25 °C – 0mV/°C, for T < 25 °C								
End of discharge voltage (full load) (VDC)	32 blocks: 307			40 blocks: 384	35 blocks: 336	32 blocks: 307	40 blocks: 384		
Battery current at full load and nominal battery voltage (A) ⁹	54	81	108	108	130	173	216	260	326
Battery current at full load and minimum battery voltage (A) ⁹	68	101	135	135	162	216	270	325	406
Ripple current	< 5% C20 (5 minute runtime)								
Battery test	Manual/automatic (selectable)								
Maximum short circuit rating	10 kA								

Recommended Cable Sizes 440 V Marine Systems

 DANGER

HAZARD OF ELECTRIC SHOCK, EXPLOSION, OR ARC FLASH

All wiring must comply with all applicable national and/or electrical codes. The maximum allowable cable size is 150 mm².

Failure to follow these instructions will result in death or serious injury.

The maximum number of cable connections per busbar: Two on input/output/bypass busbars; Four on DC+/DC- busbars; Six on N/PE busbars.

NOTE: Overcurrent protection is to be provided by others.

Cable sizes in this manual are based on table B.52.3 and table B.52.5 of IEC 60364-5-52 with the following assertions:

- 90 °C conductors
- An ambient temperature of 30 °C
- Use of copper or aluminum conductors
- Installation method C

PE cable size is based on table 54.2 of IEC 60364-4-54.

If the ambient temperature is greater than 30 °C, larger conductors are to be selected in accordance with the correction factors of the IEC.

NOTE: Recommended cable sizes and maximum allowable cable size may vary for the auxiliary products. Not all auxiliary products support aluminum cables. Refer to the installation manual provided with the auxiliary product.

NOTE: The DC cable sizes given here are recommendations – Always follow the specific instructions in the battery solution documentation for DC cable sizes and DC PE cable sizes and ensure that the DC cable sizes match the battery breaker rating.

NOTE: Neutral conductor is sized to handle 1.73 times phase current in case of high harmonic content from non-linear loads. If non or less harmonic currents are expected, neutral conductor can be sized accordingly but not less than the phase conductor.

NOTE: 20-40 kW: DC cables are sized according to 32 battery blocks. 50-100 kW: DC cables are sized according to 40 battery blocks.

9. Values based on 20-40 kW: 32 blocks; 50-150 kW: 40 blocks.

Copper

UPS rating	20 kW	30 kW	40 kW	50 kW	60 kW	80 kW	100 kW	120 kW	150 kW
Input phases (mm ²)	6	10	16	25	35	50	70	95	120
Input PE (mm ²)	6	10	16	16	16	25	35	50	70
Bypass/output phases (mm ²)	6	6	10	16	25	35	50	70	95
Bypass PE/output PE (mm ²)	6	6	10	16	16	16	25	35	50
Neutral (mm ²)	10	16	25	35	50	70	95	95	95
DC+/DC- (mm ²)	10	25	35	35	50	70	95	95	120
DC PE (mm ²)	10	16	16	16	25	35	50	50	70

Aluminum

UPS rating	20 kW	30 kW	40 kW	50 kW	60 kW	80 kW	100 kW	120 kW	150 kW
Input phases (mm ²)	6	16	25	35	50	70	95	120	150
Input PE (mm ²)	6	16	16	16	25	35	50	70	95
Bypass/output phases (mm ²)	6	10	16	25	35	50	70	95	150
Bypass PE/output PE (mm ²)	6	10	16	16	16	25	35	50	95
Neutral (mm ²)	10	25	35	50	70	95	2 x 70	2 x 70	2 x 70
DC+/DC- (mm ²)	16	35	50	50	70	95	2 x 70	2 x 70	2 x 95
DC PE (mm ²)	16	16	25	25	35	50	70	70	95

Recommended Upstream Protection 440 V Marine Systems

⚠️⚠️ DANGER

HAZARD OF ELECTRIC SHOCK, EXPLOSION, OR ARC FLASH

- For parallel systems, instantaneous override (li) values must not be set higher than 1250 A. Place the label 885-92556 adjacent to the upstream circuit breaker to inform about the hazard.
- For UPS rating 20-120 kW: In parallel systems with three or more UPSs, a circuit breaker must be installed on the output of each UPS. The unit output breaker (UOB) instantaneous override (li) values must not be set higher than 1250 A.
- For UPS rating 150 kW: In parallel systems with two or more UPSs, a circuit breaker must be installed on the output of each UPS. The unit output breaker (UOB) instantaneous override (li) values must not be set higher than 1250 A.

Failure to follow these instructions will result in death or serious injury.

NOTE: For local directives which require 4-pole circuit breakers: If neutral conductor is expected to carry a high current, due to line-neutral non-linear load, the circuit breaker must be rated according to expected neutral current.

UPS rating	20 kW		30 kW		40 kW	
	Input	Bypass	Input	Bypass	Input	Bypass
Breaker type	NSX100H TM40D (LV429674)	NSX100H TM32D (LV429675)	NSX100H TM63D (LV429672)	NSX100H TM50D (LV429673)	NSX100H TM80D (LV429671)	NSX100H TM63D (LV429672)
In	40	32	63	50	80	63

UPS rating	20 kW		30 kW		40 kW	
	Input	Bypass	Input	Bypass	Input	Bypass
I _r	40	32	63	50	80	63
I _m	500 (fixed)	400 (fixed)	500 (fixed)	500 (fixed)	640 (fixed)	500 (fixed)

UPS rating	50 kW		60 kW		80 kW		100 kW	
	Input	Bypass	Input	Bypass	Input	Bypass	Input	Bypass
Breaker type	NSX100H TM100D (LV429670)	NSX100H TM80D (LV429671)	NSX160H TM125D (LV430671)	NSX100H TM100D (LV429670)	NSX160H TM160D (LV430670)	NSX160H TM125D (LV430671)	NSX250H TM200D (LV431671)	NSX160H TM160D (LV430670)
I _n	100	80	125	100	160	125	200	160
I _r	100	80	125	100	160	125	200	160
I _m	800 (fixed)	640 (fixed)	1250 (fixed)	800 (fixed)	1250 (fixed)	1250 (fixed)	≤6 x I _n	1250 (fixed)

UPS rating	120 kW		150 kW	
	Input	Bypass	Input	Bypass
Breaker type	NSX250H TM250D (LV431670)	NSX250H TM200 (LV431671)	NSX400H Mic.L5 (LV432701)	NSX250H TM250 (LV431670)
I _n /I _o	250	200	280	250
I _r	250	200	—	250
t _r	—	—	0.5	—
I _m /I _{sd}	≤5 x I _n	≤6 x I _n	10	≤5 x I _n
t _{sd}	—	—	0	—
I _i	—	—	≤4.5 x I _n	—

Specifications for 480 V Systems

The supply for input and bypass must be solid-grounded WYE transformers. Delta input supply for either input or bypass is not permitted.

The UPS system must be installed as a separately derived system. Leakage currents will occur in the bonding jumper and the technical/system earth.

Input Specifications 480 V

UPS rating	20 kW	30 kW	40 kW	50 kW	60 kW	80 kW	100 kW	120 kW	150 kW
Connections	3-wire (L1, L2, L3, G) WYE or 4-wire (L1, L2, L3, N, G) WYE (single mains) 3-wire (L1, L2, L3, G) WYE (dual mains)								
Input voltage range (V)	408-552								
Frequency range (Hz)	40-70								
Nominal input current (A)	25	37	50	62	74	99	124	149	186
Maximum input current (A)	30	45	60	74	89	119	149	179	223
Input current limitation (A)	31	47	62	77	93	124	154	185	231
Input power factor	0.99 for load greater than 50% 0.95 for load greater than 25%								
Total harmonic distortion (THDI)	<5% at 100% load			<3% at 100% load	<5% at 100% load		<3% at 100% load	<5% at 100% load	<3% at 100% load
Maximum short circuit rating	65 kA RMS								
Protection	Built-in backfeed protection and fuses								
Ramp-in	Programmable and adaptive 1-40 seconds								

NOTE: For a UPS with N+1 power module, the input power factor is 0.99 at 100% load and the total harmonic distortion (THDI) is <6% at full linear load (symmetrical).

Bypass Specifications 480 V

UPS rating	20 kW	30 kW	40 kW	50 kW	60 kW	80 kW	100 kW	120 kW	150 kW
Connections	3-wire (L1, L2, L3, G) WYE or 4-wire (L1, L2, L3, N, G) WYE								
Bypass voltage range (V)	432-528								
Frequency range (Hz)	50/60 ± 1, 50/60 ± 3, 50/60 ± 10 (user selectable)								
Nominal bypass current (A)	24	36	49	61	73	97	121	146	182
Nominal neutral current (A) ¹⁰	42	62	83	104	125	166	208	208	208
Maximum short circuit rating	65 kA RMS								
Protection	Built-in backfeed protection and fuses Internal fuse specifications: Rated 400 A, prearcing 33 kA ² s							Built-in backfeed protection and fuses Internal fuse specifications: Rated 550 A, prearcing 52 kA ² s	

10. Harmonic currents in neutral are only considered to be 1.73 x nominal up till 100 kW. Above 100 kW only resistive load is considered.

Output Specifications 480 V

NOTE: The number of output connections must match the number of input wires in a single mains system or bypass wires in a dual mains system.

UPS rating	20 kW	30 kW	40 kW	50 kW	60 kW	80 kW	100 kW	120 kW	150 kW
Connections	3-wire (L1, L2, L3, G, GEC ¹¹) or 4-wire (L1, L2, L3, N, G)								
Output voltage regulation	Symmetrical load $\pm 1\%$ Asymmetrical load $\pm 3\%$								
Overload capacity	150% for 1 minute (in normal operation) 125% for 10 minutes (in normal operation) 125% for 1 minute (in battery operation) 125% continuous (bypass operation) 1000% for 100 milliseconds (bypass operation)								
Dynamic load response	$\pm 5\%$ after 2 milliseconds $\pm 1\%$ after 50 milliseconds								
Output power factor	1								
Nominal output current (A)	24	36	48	60	72	96	120	144	180
Frequency regulation (Hz)	50/60 Hz bypass synchronized – 50/60 Hz $\pm 0.1\%$ free-running								
Synchronized slew rate (Hz/sec)	Programmable to 0.25, 0.5, 1, 2, 4, 6								
Total harmonic distortion (THDU)	<1% for linear load <5% for non-linear load								
Load crest factor	2.5								
Load power factor	From 0.7 leading to 0.7 lagging without any derating								

11. Per NEC 250.30.

Battery Specifications 480 V

⚡⚠ DANGER

HAZARD OF ELECTRIC SHOCK, EXPLOSION, OR ARC FLASH

- Protection of the energy storage device: An overcurrent protective device must be located in close proximity to the energy storage device.
- Trip delay must be set to zero on all battery breakers.

Failure to follow these instructions will result in death or serious injury.

UPS rating	20 kW	30 kW	40 kW	50 kW	60 kW	80 kW	100 kW	120 kW	150 kW
Charging power in % of output power at 0-40% load ¹²	80%								
Charging power in % of output power at 100% load	20%								
Maximum charging power (at 0-40% load) (kW) ¹²	16	24	32	40	48	64	80	96	120
Maximum charging power (at 100% load) (kW)	4	6	8	10	12	16	20	24	30
Nominal battery voltage (VDC)	32-48 blocks: 384-576			40-48 blocks: 480-576	35-48 blocks: 420-576	32-48 blocks: 384-576	40-48 blocks: 480-576		
Nominal float voltage (VDC)	32-48 blocks: 436-654			40-48 blocks: 545-654	35-48 blocks: 477-654	32-48 blocks: 436-654	40-48 blocks: 545-654		
Maximum boost voltage (VDC)	720 for 48 blocks								
Temperature compensation (per cell)	-3.3mV/°C, for T ≥ 25 °C – 0mV/°C, for T < 25 °C								
End of discharge voltage (full load) (VDC)	32 blocks: 307			40 blocks: 384	35 blocks: 336	32 blocks: 307	40 blocks: 384		
Battery current at full load and nominal battery voltage (A) ¹³	54	81	108	108	130	173	216	260	326
Battery current at full load and minimum battery voltage (A) ¹³	68	101	135	135	162	216	270	325	406
Ripple current	< 5% C20 (5 minute runtime)								
Battery test	Manual/automatic (selectable)								
Maximum short circuit rating	10 kA								

NOTE: For a 60 kW UPS with N+1 power module, the supported battery block quantity is 32-48 blocks.

NOTE: A battery solution above 40 battery blocks requires a battery midpoint.

12. Values based on 48 blocks.

13. Values based on 20-40 kW: 32 blocks; 50-150 kW: 40 blocks.

Recommended Cable Sizes 480 V

⚡ **! DANGER**

HAZARD OF ELECTRIC SHOCK, EXPLOSION, OR ARC FLASH

All wiring must comply with all applicable national and/or electrical codes. The maximum allowable cable size is 300 kcmil.

Failure to follow these instructions will result in death or serious injury.

The maximum number of cable connections per busbar: Two on input/output/ bypass busbars; Four on DC+/DC- busbars; Six on N/G busbars.

NOTE: Overcurrent protection is to be provided by others.

Cable sizes in this manual are based on Table 310.15 (B)(16) of the National Electrical Code (NEC) with the following assertions:

- 90 °C (194 °F) conductors (75 °C (167 °F) termination)
- An ambient temperature of 30 °C (86 °F)
- Use of copper or aluminum conductors

Equipment grounding conductors (EGC) are sized in accordance with NEC Article 250.122 and Table 250.122.

If the ambient temperature is greater than 30 °C (86 °F), larger conductors are to be selected in accordance with the correction factors of the NEC.

NOTE: For the scalable UPS (GVSUPS50K150GS), always size the cables for a UPS rating of 150 kW.

NOTE: Recommended cable sizes and maximum allowable cable size may vary for the auxiliary products. Not all auxiliary products support aluminum cables. Refer to the installation manual provided with the auxiliary product.

NOTE: The DC cable sizes given here are recommendations – Always follow the specific instructions in the battery solution documentation for DC cable sizes and DC EGC cable sizes and ensure that the DC cable sizes match the battery breaker rating.

NOTE: Neutral conductor is sized to handle 1.73 times phase current in case of high harmonic content from non-linear loads. If non or less harmonic currents are expected, neutral conductor can be sized accordingly but not less than the phase conductor.

NOTE: 20-40 kW: DC cables are sized according to 32 battery blocks. 50-100 kW: DC cables are sized according to 40 battery blocks.

Copper

UPS rating	20 kW	30 kW	40 kW	50 kW	60 kW	80 kW	100 kW	120 kW	150 kW
Input phases (AWG/ kcmil)	8	6	4	3	1	2/0	3/0	4/0	300
Input EGC (AWG/ kcmil)	10	8	8	6	6	6	4	4	4
Bypass/output phases (AWG/kcmil)	10	8	6	4	3	1	2/0	3/0	4/0
Bypass EGC/output EGC (AWG/kcmil)	10	10	8	8	8	6	6	6	4
Neutral (AWG/kcmil)	6	4	2	1/0	2/0	4/0	2 x 1/0	2 x 1/0	2 x 1/0
DC+/DC-(AWG/ kcmil)	4	2	1/0	1/0	2/0	4/0	2 x 1/0	2 x 3/0	2 x 4/0
DC EGC (AWG/ kcmil)	8	6	6	6	6	4	4	3	2

Aluminum

UPS rating	20 kW	30 kW	40 kW	50 kW	60 kW	80 kW	100 kW	120 kW	150 kW
Input phases (AWG/kcmil)	6	4	2	1	1/0	3/0	250	300	2 x 3/0
Input EGC (AWG/kcmil)	6	6	6	4	4	4	2	2	2 x 2
Bypass/output phases (AWG/kcmil)	6	6	4	2	1	2/0	3/0	250	300
Bypass EGC/output EGC (AWG/kcmil)	6	6	6	6	6	4	4	4	2
Neutral (AWG/kcmil)	4	2	1/0	2/0	4/0	2 x 1/0	2 x 2/0	2 x 250	2 x 2/0
DC+/DC-(AWG/kcmil)	3	1/0	2/0	2/0	4/0	2 x 1/0	2 x 3/0	1	2 x 250
DC EGC (AWG/kcmil)	6	4	4	4	4	2	2	2 x 1	2 x 1/0

NOTE: For DC EGC aluminum cables used in parallel conduits, EGC must be full-sized in order to prevent overload or burnout of cables.

NOTE: 80% rated circuit breakers for UIB, UOB, MBB, SSIB.

Recommended Upstream Protection 480 V

⚠️⚠️ DANGER

HAZARD OF ELECTRIC SHOCK, EXPLOSION, OR ARC FLASH

- For parallel systems, instantaneous override (li) values must not be set higher than 1250 A. Place the label 885-92556 adjacent to the upstream circuit breaker to inform about the hazard.
- For UPS rating 20-120 kW: In parallel systems with three or more UPSs, a circuit breaker must be installed on the output of each UPS. The unit output breaker (UOB) instantaneous override (li) values must not be set higher than 1250 A.
- For UPS rating 150 kW: In parallel systems with two or more UPSs, a circuit breaker must be installed on the output of each UPS. The unit output breaker (UOB) instantaneous override (li) values must not be set higher than 1250 A.

Failure to follow these instructions will result in death or serious injury.

⚠️ CAUTION

HAZARD OF FIRE

- Connect only to a circuit with the below specifications.
- Connect to a circuit provided with a 250 A branch circuit overcurrent protection maximum in accordance with the National Electrical Code, ANSI/NFPA70, and the Canadian Electrical Code, Part I, C22.1.

Failure to follow these instructions can result in injury or equipment damage.

NOTE: For the scalable UPS (GVSUPS50K150GS), always size the upstream protection for a UPS rating of 150 kW.

NOTE: Overcurrent protection is to be provided by others and marked with its function.

NOTE: Circuit breakers listed below are 80% rated.

UPS rating	20 kW		30 kW		40 kW		50 kW	
	Input	Bypass	Input	Bypass	Input	Bypass	Input	Bypass
Breaker type	HJF36100U31X							
Ir	40	35	60	50	80	70	100	80
tr @ 6 Ir	0.5-16							
li (x In)	≤8							

UPS rating	60 kW		80 kW		100 kW	
	Input	Bypass	Input	Bypass	Input	Bypass
Breaker type	HJF36150U31X	HJF36100U31X	JJF36250U31X	HJF36150U31X	JJF36250U31X	
Ir	125	100	175	125	200	175
tr @ 6 Ir	0.5-16					
li (x In)	≤10	≤12	≤5	≤8	≤5	

UPS rating	120 kW		150 kW	
	Input	Bypass	Input	Bypass
Breaker type	JJF36250U31X	JJF36250U31X	LJF36400U31X	JJF36250U31X
Ir	250	200	300	250

UPS rating	120 kW		150 kW	
	Input	Bypass	Input	Bypass
tr @ 6 Ir	0.5-16			
li (x In)	≤5		≤3	≤5

Specifications for 208 V Systems

Input Specifications 208 V

UPS rating	10 kW	15 kW	20 kW	25 kW	30 kW	40 kW	50 kW	60 kW	75 kW
Voltage (V)	200/208/220								
Connections	4-wire (L1, L2, L3, N, G) WYE (single mains) 3-wire (L1, L2, L3, G) WYE (dual mains)								
Input voltage range (V)	200 V: 170-230 208 V: 177-239 220 V: 187-253								
Frequency range (Hz)	40-70								
Nominal input current (A)	31/30/28	47/45/42	62/60/56	78/75/71	93/90/85	124/119/113	155/149/141	186/179/169	233/224/212
Maximum input current (A)	37/36/34	56/54/51	74/72/68	91/90/85	112/107/102	149/143/135	182/179/169	223/215/203	273/269/254
Input current limitation (A)	39/37/35	58/55/52	77/74/70	91/91/87	115/110/104	153/147/139	182/182/174	229/220/208	273/273/260
Input power factor	0.99 for load greater than 50% 0.95 for load greater than 25%								
Total harmonic distortion (THDI)	<5% at 100% load	<3% at 100% load						<5% at 100% load	<3% at 100% load
Maximum short circuit rating	65 kA RMS								
Protection	Built-in backfeed protection and fuses								
Ramp-in	Programmable and adaptive 1-40 seconds								

NOTE: For a UPS with N+1 power module, the input power factor is 0.99 at 100% load and the total harmonic distortion (THDI) is <6% at full linear load (symmetrical).

Bypass Specifications 208 V

UPS rating	10 kW	15 kW	20 kW	25 kW	30 kW	40 kW	50 kW	60 kW	75 kW
Voltage (V)	200/208/220								
Connections	4-wire (L1, L2, L3, N, G) WYE								
Bypass voltage range (V)	200 V: 180-220 208 V: 187-229 220 V: 198-242								
Frequency range (Hz)	50/60 ± 1, 50/60 ± 3, 50/60 ± 10 (user selectable)								
Nominal bypass current (A)	29/28/27	44/42/40	58/56/53	73/70/66	87/84/80	117/112/106	146/140/133	175/168/159	219/210/199
Nominal neutral current (A) ¹⁴	50/48/45	75/72/68	100/96/91	125/120/114	150/144/136	200/192/182	250/240/227	250/240/227	250/240/227
Maximum short circuit rating	65 kA RMS								
Protection	Built-in backfeed protection and fuses Internal fuse specifications: Rated 400 A, prearcing 33 kA ² s							Built-in backfeed protection and fuses Internal fuse specifications: Rated 550 A, prearcing 52 kA ² s	

14. Harmonic currents in neutral are only considered to be 1.73 x nominal up till 50 kW. Above 50 kW only resistive load is considered.

Output Specifications 208 V

UPS rating	10 kW	15 kW	20 kW	25 kW	30 kW	40 kW	50 kW	60 kW	75 kW
Voltage (V)	200/208/220								
Connections	4-wire (L1, L2, L3, N, G)								
Output voltage regulation	Symmetrical load $\pm 1\%$ Asymmetrical load $\pm 3\%$								
Overload capacity	150% for 1 minute (in normal operation) 125% for 10 minutes (in normal operation) 125% for 1 minute (in battery operation) 125% continuous (bypass operation) 1000% for 100 milliseconds (bypass operation)								
Dynamic load response	$\pm 5\%$ after 2 milliseconds $\pm 1\%$ after 50 milliseconds								
Output power factor	1								
Nominal output current (A)	29/28/26	43/42/39	58/56/52	73/70/66	87/83/79	115/111/105	144/139/131	173/167/157	217/208/197
Frequency regulation (Hz)	50/60 Hz bypass synchronized – 50/60 Hz $\pm 0.1\%$ free-running								
Synchronized slew rate (Hz/sec)	Programmable to 0.25, 0.5, 1, 2, 4, 6								
Total harmonic distortion (THDU)	<2%								
Load crest factor	2.5								
Load power factor	From 0.7 leading to 0.7 lagging without any derating								

Battery Specifications 208 V

⚡ ⚠ DANGER

HAZARD OF ELECTRIC SHOCK, EXPLOSION, OR ARC FLASH

- Protection of the energy storage device: An overcurrent protective device must be located in close proximity to the energy storage device.
- Trip delay must be set to zero on all battery breakers.

Failure to follow these instructions will result in death or serious injury.

UPS rating	10 kW	15 kW	20 kW	25 kW	30 kW	40 kW	50 kW	60 kW	75 kW
Charging power in % of output power at 0-40% load ¹⁵	80%								
Charging power in % of output power at 100% load	20%								
Maximum charging power (at 0-40% load) (kW) ¹⁵	8	12	16	20	24	32	40	48	60
Maximum charging power (at 100% load) (kW)	2	3	4	5	6	8	10	12	15
Nominal battery voltage (VDC)	32-40 blocks: 384-480								
Nominal float voltage (VDC)	32-40 blocks: 436-545								
Maximum boost voltage (VDC)	600 for 40 blocks								
Temperature compensation (per cell)	-3.3mV/°C, for T ≥ 25 °C – 0mV/°C, for T < 25 °C								
End of discharge voltage (full load) (VDC)	32 blocks: 307								
Battery current at full load and nominal battery voltage (A) ¹⁶	27	41	55	68	82	109	136	164	205
Battery current at full load and minimum battery voltage (A) ¹⁶	34	51	68	85	102	136	170	204	254
Ripple current	< 5% C20 (5 minute runtime)								
Battery test	Manual/automatic (selectable)								
Maximum short circuit rating	10 kA								

15. Values based on 40 blocks.
 16. Values based on 32 blocks.

Recommended Cable Sizes 208 V

⚠️⚠️ DANGER

HAZARD OF ELECTRIC SHOCK, EXPLOSION, OR ARC FLASH

All wiring must comply with all applicable national and/or electrical codes. The maximum allowable cable size is 300 kcmil.

Failure to follow these instructions will result in death or serious injury.

The maximum number of cable connections per busbar: Two on input/output/ bypass busbars; Four on DC+/DC- busbars; Six on N/G busbars.

NOTE: Overcurrent protection is to be provided by others.

Cable sizes in this manual are based on Table 310.15 (B)(16) of the National Electrical Code (NEC) with the following assertions:

- 90 °C (194 °F) conductors (75 °C (167 °F) termination)
- An ambient temperature of 30 °C (86 °F)
- Use of copper or aluminum conductors

If the ambient temperature is greater than 30 °C (86 °F), larger conductors are to be selected in accordance with the correction factors of the NEC.

Equipment grounding conductors (EGC) are sized in accordance with NEC Article 250.122 and Table 250.122.

NOTE: For the scalable UPS (GVSUPS25K75FS), always size the cables for a UPS rating of 75 kW.

NOTE: Recommended cable sizes and maximum allowable cable size may vary for the auxiliary products. Not all auxiliary products support aluminum cables. Refer to the installation manual provided with the auxiliary product.

NOTE: The DC cable sizes given here are recommendations – Always follow the specific instructions in the battery solution documentation for DC cable sizes and DC EGC cable sizes and ensure that the DC cable sizes match the battery breaker rating.

NOTE: Neutral conductor is sized to handle 1.73 times phase current in case of high harmonic content from non-linear loads. If non or less harmonic currents are expected, neutral conductor can be sized accordingly but not less than the phase conductor.

Copper

UPS rating	10 kW	15 kW	20 kW	25 kW	30 kW	40 kW	50 kW	60 kW	75 kW
Input phases (AWG/kcmil)	8	4	3	2	1/0	3/0	4/0	300	2 x 2/0
Input EGC (AWG/kcmil)	10	8	8	6	6	6	4	4	3
Bypass/output phases (AWG/kcmil)	8	6	4	3	2	1/0	3/0	4/0	300
Bypass EGC/output EGC (AWG/kcmil)	10	10	8	8	6	6	6	4	4
Neutral (AWG/kcmil)	6	3	1	2/0	3/0	2 x 1/0	2 x 2/0	2 x 2/0	2 x 2/0
DC+/DC-(AWG/kcmil)	10	6	4	4	2	1/0	2/0	4/0	250
DC EGC (AWG/kcmil)	10	10	8	8	6	6	6	4	4

Aluminum

UPS rating	10 kW	15 kW	20 kW	25 kW	30 kW	40 kW	50 kW	60 kW	75 kW
Input phases (AWG/kcmil)	6	3	1	1/0	3/0	250	300	2 x 3/0	4/0
Input EGC (AWG/kcmil)	6	6	6	4	4	4	2	2 x 2	1
Bypass/output phases (AWG/kcmil)	6	4	3	1	1/0	3/0	250	300	2 x 3/0
Bypass EGC/output EGC (AWG/kcmil)	6	6	6	6	4	4	4	2	2
Neutral (AWG/kcmil)	4	1	2/0	4/0	2 x 1/0	2 x 2/0	2 x 4/0	2 x 4/0	2 x 4/0
DC+/DC-(AWG/kcmil)	8	4	3	2	1/0	3/0	4/0	250	2 x 3/0
DC EGC (AWG/kcmil)	6	6	6	6	4	4	4	2	2

NOTE: For DC EGC aluminum cables used in parallel conduits, EGC must be full-sized in order to prevent overload or burnout of cables.

NOTE: 80% rated circuit breakers for UIB, UOB, MBB, SSIB.

Recommended Upstream Protection 208 V

⚠️⚠️ DANGER

HAZARD OF ELECTRIC SHOCK, EXPLOSION, OR ARC FLASH

- For parallel systems, instantaneous override (Ii) values must not be set higher than 1250 A. Place the label 885-92556 adjacent to the upstream circuit breaker to inform about the hazard.
- For UPS rating 10-60 kW: In parallel systems with three or more UPSs, a circuit breaker must be installed on the output of each UPS. The unit output breaker (UOB) instantaneous override (Ii) values must not be set higher than 1250 A.
- For UPS rating 75 kW: In parallel systems with two or more UPSs, a circuit breaker must be installed on the output of each UPS. The unit output breaker (UOB) instantaneous override (Ii) values must not be set higher than 1250 A.

Failure to follow these instructions will result in death or serious injury.

⚠️ CAUTION

HAZARD OF FIRE

- Connect only to a circuit with the below specifications.
- Connect to a circuit provided with a 250 A branch circuit overcurrent protection maximum in accordance with the National Electrical Code, ANSI/NFPA70, and the Canadian Electrical Code, Part I, C22.1.

Failure to follow these instructions can result in injury or equipment damage.

NOTE: For the scalable UPS (GVSUPS25K75FS), always size the upstream protection for a UPS rating of 75 kW.

NOTE: Overcurrent protection is to be provided by others and marked with its function.

UPS rating	10 kW		15 kW		20 kW		25 kW	
	Input	Bypass	Input	Bypass	Input	Bypass	Input	Bypass
Breaker type	HJF36100U31X						HJF36150-U31X	HJF36100-U31X
I _r	50	40	80	60	100	80	125	100
tr @ 6 I _r	0.5-16							
I _i (x I _n)	≤8						≤5	≤8

UPS rating	30 kW		40 kW		50 kW	
	Input	Bypass	Input	Bypass	Input	Bypass
Breaker type	HJF36150U31X		JJF36250U31X	HJF36150U31X	JJF36250U31X	
I _r	150	110	200	150	250	200
tr @ 6 I _r	0.5-16					
I _i (x I _n)	≤10	≤12	≤5	≤8	≤5	

UPS rating	60 kW		75 kW	
	Input	Bypass	Input	Bypass
Breaker type	LJF36400U31X	JJF36250U31X	LJF36400U31X	LJF36400U31X
I _r	300	225	350	300

UPS rating	60 kW		75 kW	
	Input	Bypass	Input	Bypass
tr @ 6 Ir	0.5-16			
li (x In)	≤5		≤3	≤5

Recommended Bolt and Lug Sizes

NOTICE

RISK OF EQUIPMENT DAMAGE

Use only UL approved compression cable lugs.

Failure to follow these instructions can result in equipment damage.

Copper — One Hole Cable Lugs

Cable size	Bolt size	Cable lug type	Crimping tool	Die
10 AWG	M8 x 25 mm	LCA10-56-L	NA	NA
8 AWG	M8 x 25 mm	LCA8-56-L	CT-720	CD-720-1 Red P21
6 AWG	M8 x 25 mm	LCA6-56-L	CT-720	CD-720-1 Blue P24
4 AWG	M8 x 25 mm	LCA4-56-L	CT-720	CD-720-1 Gray P29
3 AWG	M8 x 25 mm	LCA4-56-L	CT-720	CD-720-1 Gray P29
2 AWG	M8 x 25 mm	LCA2-56-Q	CT-720	CD-720-1 Brown P33
1 AWG	M8 x 25 mm	LCA1-56-E	CT-720	CD-720-2 Green P37
1/0 AWG	M8 x 25 mm	LCA1/0-56-X	CT-720	CD-720-2 Pink P42
2/0 AWG	M8 x 25 mm	LCA2/0-56-X	CT-720	CD-720-2 Black P45
3/0 AWG	M8 x 25 mm	LCA3/0-56-X	CT-720	CD-720-2 Orange P50
4/0 AWG	M8 x 25 mm	LCA4/0-56-X	CT-720	CD-720-3 Purple P54
250 kcmil	M8 x 25 mm	LCA250-56-X	CT-720	CD-720-3 Yellow P62
300 kcmil	M8 x 25 mm	LCA300-56-X	CT-720	CD-720-4 White P66

Copper — Two Hole Cable Lugs

Cable size	Bolt size	Cable lug type	Crimping tool	Die
6 AWG	M8 x 25 mm	LCC6-12-L	CT-930	CD-920-6 Blue P24
4 AWG	M8 x 25 mm	LCC4-12-L	CT-930	CD-920-4 Gray P29
3 AWG	M8 x 25 mm			
2 AWG	M8 x 25 mm	LCC2-12-Q	CT-930	CD-920-2 Brown P33
1 AWG	M8 x 25 mm	LCC1-12-E	CT-930	CD-920-1 Green P37
1/0 AWG	M8 x 25 mm	LCC1/0-12-X	CT-930	CD-920-1/0 Pink P42
2/0 AWG	M8 x 25 mm	LCC2/0-12-X	CT-930	CD-920-2/0 Black P45
3/0 AWG	M8 x 25 mm	LCC3/0-12-X	CT-930	CD-920-3/0 Orange P50
4/0 AWG	M8 x 25 mm	LCC4/0-12-X	CT-930	CD-920-4/0 Purple P54
250 kcmil	M8 x 25 mm	LCC250-12-X	CT-930	CD-920-250 Yellow P62
300 kcmil	M8 x 25 mm	LCC300-12-X	CT-930	CD-920-300 White P66

Aluminum — One Hole Cable Lugs

Cable size	Bolt size	Cable lug type	Crimping tool	Die
6 AWG	M8 x 25 mm	LAA6-56-X	CT-720	CD-720-1 Gray P29
4 AWG	M8 x 25 mm	LAA4-56-X	CT-720	CD-720-2 Green P37
3 AWG	M8 x 25 mm	LAA3-56-X	CT-720	CD-720-2 Green P37
2 AWG	M8 x 25 mm	LAA2-56-X	CT-720	CD-720-2 Pink P42
1 AWG	M8 x 25 mm	LAA1-56-X	CT-720	CD-720-2 Gold P45
1/0 AWG	M8 x 25 mm	LAA1/0-56-X	CT-720	CD-720-2 Tan P50

Aluminum — One Hole Cable Lugs (Continued)

Cable size	Bolt size	Cable lug type	Crimping tool	Die
2/0 AWG	M8 x 25 mm	LAA2/0-56-5	CT-720	CD-720-3 Olive P54
3/0 AWG	M8 x 25 mm	LAA3/0-56-5	CT-720	CD-720-3 Ruby P60
4/0 AWG	M8 x 25 mm	LAA4/0-56-5	CT-720	CD-720-4 White P66
250 kcmil	M8 x 25 mm	LAA250-56-5	CT-720	CD-720-5 Red P71
300 kcmil	M8 x 25 mm	LAA300-56-5	CT-720	CD-720-6 Blue P76

Aluminum — Two Hole Cable Lugs

Cable size	Bolt size	Cable lug type	Crimping tool	Die
2/0 AWG	M8 x 25 mm	LAB2/0-12-5	CT-720	CD-720-3 Olive P54
3/0 AWG	M8 x 25 mm	LAB3/0-12-5	CT-720	CD-720-3 Ruby P60
4/0 AWG	M8 x 25 mm	LAB4/0-12-5	CT-720	CD-720-4 White P66
250 kcmil	M8 x 25 mm	LAB250-12-2	CT-720	CD-720-5 Red P71
300 kcmil	M8 x 25 mm	LAB300-12-2	CT-720	CD-720-6 Blue P76

Torque Specifications

Bolt size	Torque
M4	1.7 Nm (1.25 lb-ft / 15 lb-in)
M5	2.2 Nm (1.62 lb-ft / 19.5 lb-in)
M6	5 Nm (3.69 lb-ft / 44.3 lb-in)
M8	17.5 Nm (12.91 lb-ft / 154.9 lb-in)
M10	30 Nm (22 lb-ft / 194.7 lb-in)
M12	50 Nm (36.87 lb-ft / 442.5 lb-in)

Requirements for a Third Party Battery Solution

Battery breaker boxes from Schneider Electric are recommended for the battery interface. Please contact Schneider Electric for more information.

Third Party Battery Breaker Requirements

⚡ ⚠ DANGER

HAZARD OF ELECTRIC SHOCK, EXPLOSION, OR ARC FLASH

All selected battery breakers must be equipped with instantaneous trip functionality with an undervoltage release coil or a shunt trip release coil.

Failure to follow these instructions will result in death or serious injury.

NOTE: There are more factors to consider when selecting a battery breaker than the requirements listed below. Please contact Schneider Electric for more information.

Design Requirements for Battery Breaker

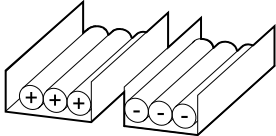
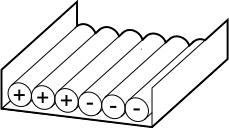
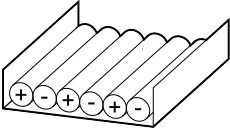
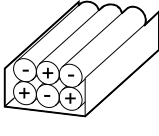
Battery breaker rated DC voltage > Normal battery voltage	The normal voltage of the battery configuration is defined as the highest nominal occurring battery voltage. This can be equivalent to the float voltage which may be defined as number of battery blocks x number of cells x cell float voltage .
Battery breaker rated DC current > Rated discharge battery current	This current is controlled by the UPS and must include maximum discharge current. This will typically be the current at the end of discharge (minimum operation DC voltage or in overload condition or a combination).
DC landings	Two DC landings for DC cables are required.
AUX switches for monitoring	One AUX switch must be installed in each battery breaker and connected to the UPS. The UPS can monitor up to two battery breakers.
Short-circuit breaking capability	The short-circuit breaking capability must be higher than the short-circuit DC current of the (largest) battery configuration.
Minimum trip current	The minimum short-circuit current to trip the battery breaker must match the (smallest) battery configuration, to make the breaker trip in case of a short circuit, up to the end of its life time.

Guidance for Organizing Battery Cables

NOTE: For 3rd party batteries, use only high rate batteries for UPS applications.

NOTE: When the battery bank is placed remotely, the organizing of the cables is important to reduce voltage drop and inductance. The distance between the battery bank and the UPS must not exceed 200 m (656 ft). Contact Schneider Electric for installations with a longer distance.

NOTE: To minimize the risk of electromagnetic radiation, it is highly recommended to follow the below guidance and to use grounded metallic tray supports.

Cable Length				
<30 m	Not recommended	Acceptable	Recommended	Recommended
31–75 m	Not recommended	Not recommended	Acceptable	Recommended
76–150 m	Not recommended	Not recommended	Acceptable	Recommended
151–200 m	Not recommended	Not recommended	Not recommended	Recommended

Environment

	Operating	Storage
Temperature	0 °C to 50 °C (32 °F to 122 °F) with load derating above 40 °C (104 °F). ¹⁷	-15 °C to 40 °C (5 °F to 104 °F) for systems with batteries. -25 °C to 55 °C (-13 °F to 131 °F) for systems without batteries.
Relative humidity	0-95% non-condensing	10-80% non-condensing
Elevation	Designed for operation in 0-3000 m (0-10000 feet) elevation. Derating required from 1000-3000 m (3300-10000 feet): Up to 1000 m (3300 feet): 1.000 Up to 1500 m (5000 feet) : 0.975 Up to 2000 m (6600 feet): 0.950 Up to 2500 m (8300 feet): 0.925 Up to 3000 m (10000 feet): 0.900	
Audible noise one meter (three feet) from unit	400 V: 60 dB at 70% load, 68 dB at 100% load 480 V: 57 dB at 70% load, 64 dB at 100% load 208 V: 60 dB at 70% load, 68 dB at 100% load	
Protection class	IP21	
Color	RAL 9003, gloss level 85%	

17. For temperatures between 40 °C (104 °F) and 50 °C (122 °F), derate the load power rating with 2.5% per °C.

UPS Weights and Dimensions

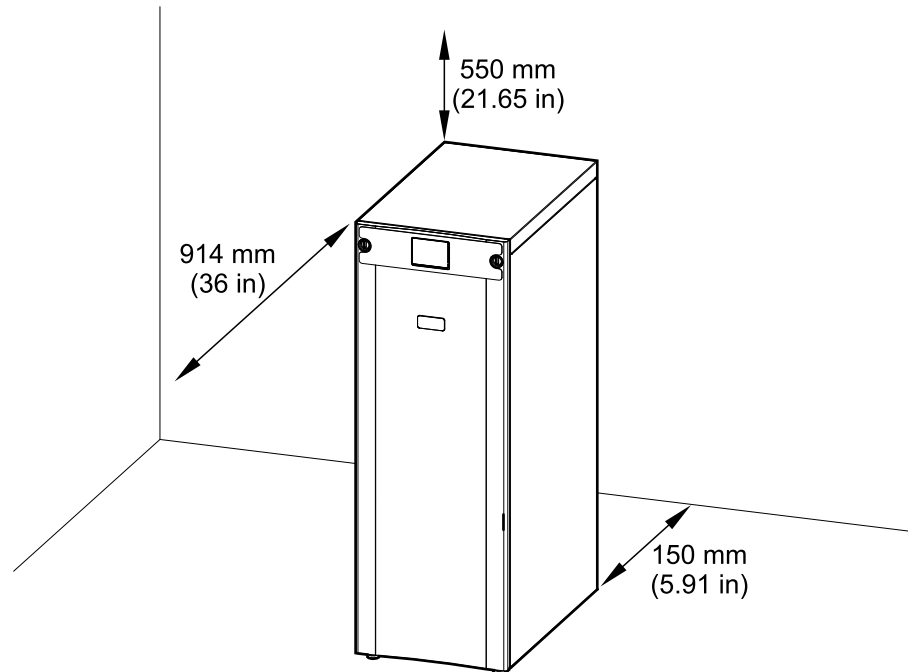
	Weight kg (lbs)	Height mm (in)	Width mm (in)	Depth mm (in)
20-50 kW UPS 400 V	206 (454)	1485 (58.46)	521 (20.51)	847 (33.35)
20-50 kW UPS with N+1 power module 400 V	250 (551)	1485 (58.46)	521 (20.51)	847 (33.35)
60 kW UPS 400 V	238 (525)	1485 (58.46)	521 (20.51)	847 (33.35)
60-100 kW UPS with N +1 power module 400 V	290 (639)	1485 (58.46)	521 (20.51)	847 (33.35)
80-100 kW UPS 400 V	250 (551)	1485 (58.46)	521 (20.51)	847 (33.35)
120 kW UPS 400 V	278 (613)	1485 (58.46)	521 (20.51)	847 (33.35)
150 kW UPS 400 V	290 (639)	1485 (58.46)	521 (20.51)	847 (33.35)
20-50 kW UPS 480 V	206 (454)	1485 (58.46)	521 (20.51)	847 (33.35)
20-50 kW UPS with N+1 power module 480 V	250 (551)	1485 (58.46)	521 (20.51)	847 (33.35)
60 kW UPS 480 V	238 (525)	1485 (58.46)	521 (20.51)	847 (33.35)
60-100 kW UPS with N +1 power module 480 V	290 (639)	1485 (58.46)	521 (20.51)	847 (33.35)
80-100 kW UPS 480 V	250 (551)	1485 (58.46)	521 (20.51)	847 (33.35)
120 kW UPS 480 V	278 (613)	1485 (58.46)	521 (20.51)	847 (33.35)
150 kW UPS 480 V	290 (639)	1485 (58.46)	521 (20.51)	847 (33.35)
10-25 kW UPS 208 V	206 (454)	1485 (58.46)	521 (20.51)	847 (33.35)
10-25 kW UPS with N+1 power module 208 V	250 (551)	1485 (58.46)	521 (20.51)	847 (33.35)
30 kW UPS 208 V	238 (525)	1485 (58.46)	521 (20.51)	847 (33.35)
30-50 kW UPS with N+1 power module 208 V	290 (639)	1485 (58.46)	521 (20.51)	847 (33.35)
40-50 kW UPS 208 V	250 (551)	1485 (58.46)	521 (20.51)	847 (33.35)
60 kW UPS 208 V	278 (613)	1485 (58.46)	521 (20.51)	847 (33.35)
75 kW UPS 208 V	290 (639)	1485 (58.46)	521 (20.51)	847 (33.35)

Clearance

NOTE: Clearance dimensions are published for airflow and service access only. Consult with the local safety codes and standards for additional requirements in your local area.

NOTE: The required minimum rear clearance is 150 mm (5.91 in).

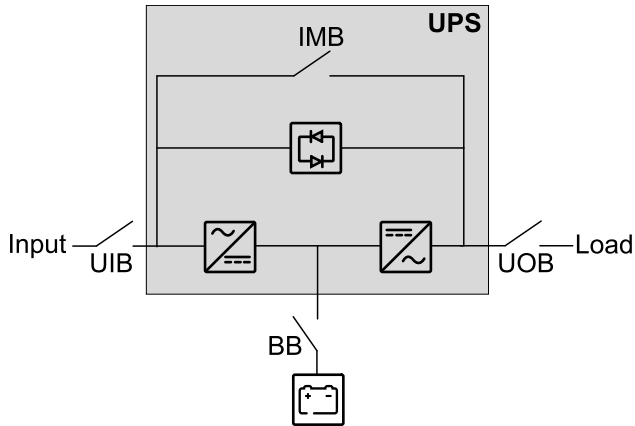
Front View of the UPS



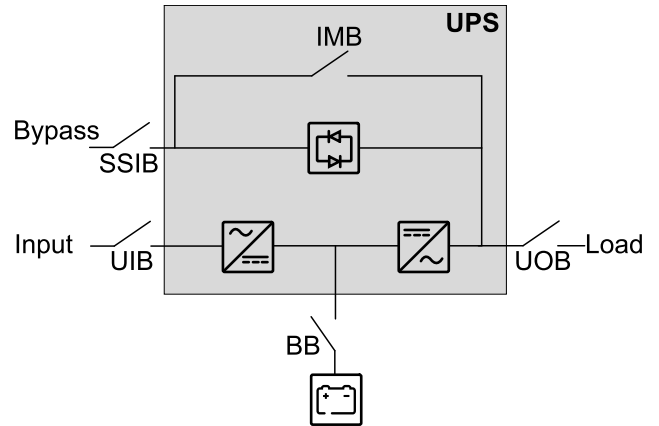
Single System Overview

UIB	Unit input breaker
SSIB	Static switch input breaker
IMB	Internal maintenance breaker
UOB	Unit output breaker
BB	Battery breaker

Single System – Single Mains



Single System – Dual Mains



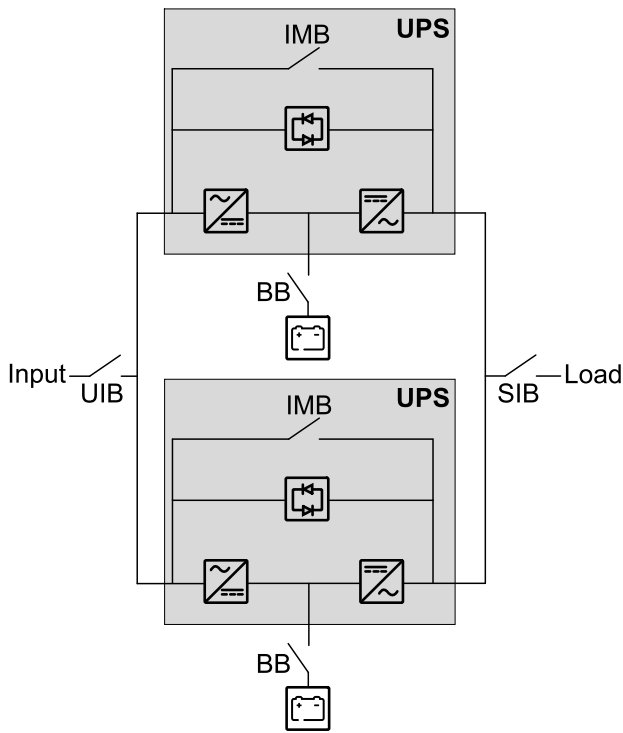
Parallel System Overview

UIB	Unit input breaker
SSIB	Static switch input breaker
IMB	Internal maintenance breaker
UOB	Unit output breaker
SIB	System isolation breaker
BB	Battery breaker
MBB	External maintenance bypass breaker

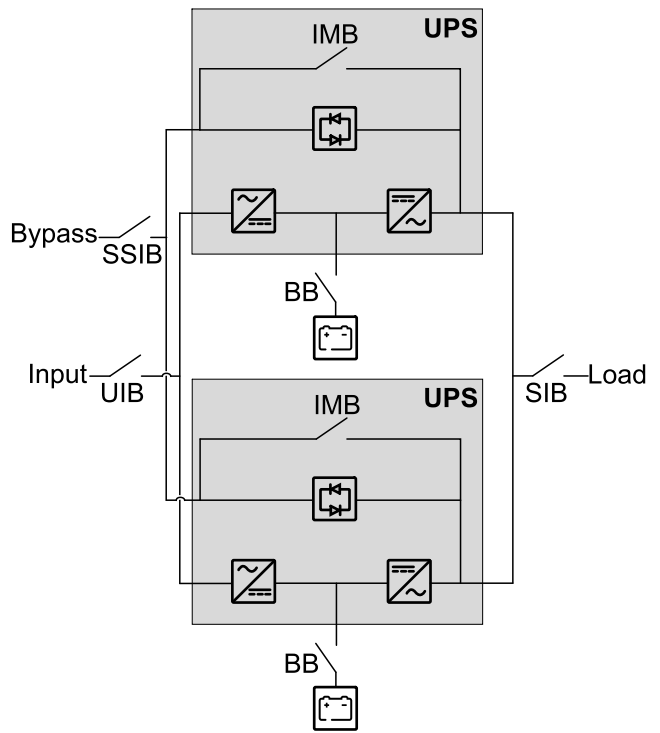
Simplified 1+1 Parallel System

Galaxy VS can support 2 UPSs in a simplified 1+1 parallel system for redundancy with shared unit input breaker UIB and static switch input breaker SSIB.

Simplified 1+1 Parallel System – Single Mains



Simplified 1+1 Parallel System – Dual Mains

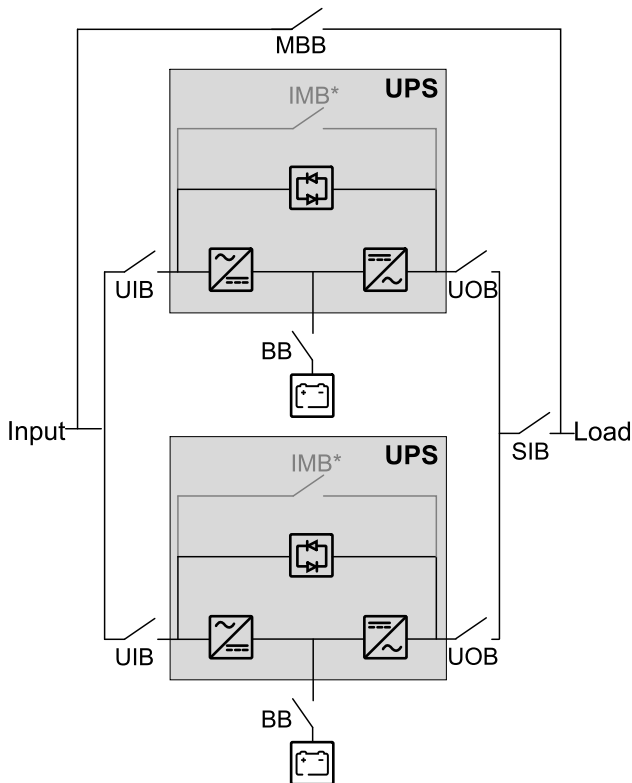


Parallel System with Individual Unit Input Breaker UIB and Static Switch Input Breaker SSIB

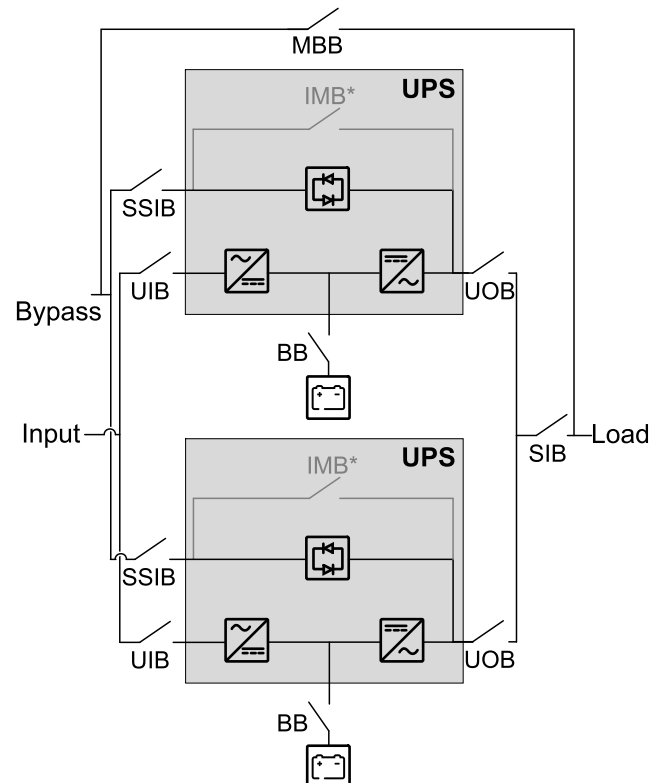
Galaxy VS can support up to 4 UPSs in parallel for capacity and up to 3+1 UPSs in parallel for redundancy with individual unit input breaker UIB and static switch input breaker SSIB.

NOTE: The internal maintenance breaker IMB can only be used in a simplified 1+1 parallel system. In any other parallel system, an external maintenance bypass breaker MBB must be provided and the internal maintenance breaker IMB* must be padlocked in the open position.

Parallel System – Single Mains



Parallel System – Dual Mains

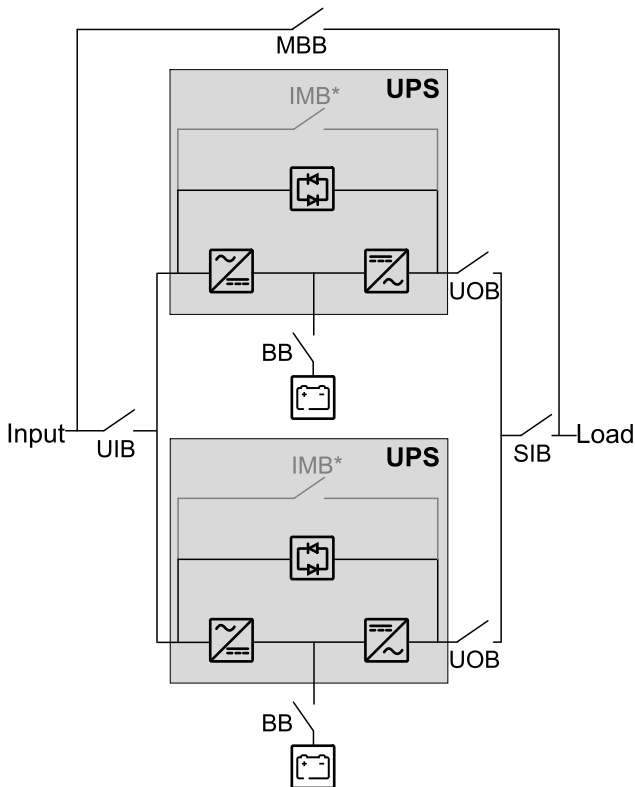


Parallel System with Shared Unit Input Breaker UIB and Static Switch Input Breaker SSIB

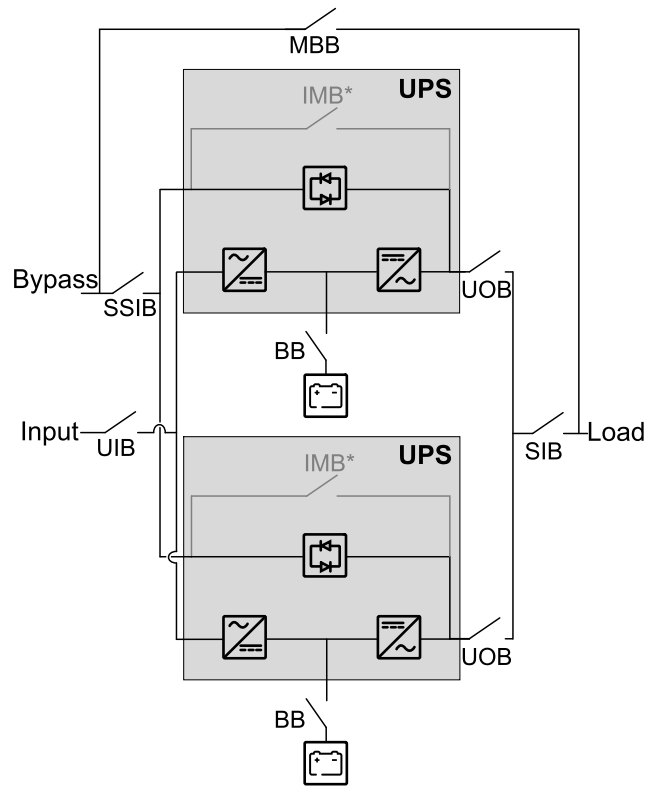
Galaxy VS can support up to 4 UPSs in parallel for capacity and up to 3+1 UPSs in parallel for redundancy with shared unit input breaker UIB and static switch input breaker SSIB.

NOTE: The internal maintenance breaker IMB can only be used in a simplified 1+1 parallel system. In any other parallel system, an external maintenance bypass breaker MBB must be provided and the internal maintenance breaker IMB* must be padlocked in the open position.

Parallel System – Single Mains




Parallel System – Dual Mains





Overview of Installation Kits




Installation Kit 0M-100883

Part	Used in	Number of units
Spring washer	Connect the Power Cables, page 68.	40 


Installation Kit 0M-100917

Part	Used in	Number of units
M8 nut with washer	Prepare the UPS for TN-C/480 V Solid-Grounded System, page 67.	2 
Bonding busbar		1 

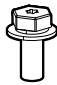


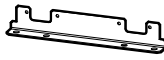

Installation Kit 0M-88357

Part	Used in	Number of units
USB cable	Connect the Modbus Cables, page 90.	1 
150 Ohm resistor		10 
Terminal connector		2 






Installation Kit 0J-0M-1160

Part	Used in	Number of units
Temperature sensor	For third-party battery solution, see Connect the Signal Cables from Switchgear and Third-Party Auxiliary Products, page 80. Refer to the installation manual for your specific battery solution for information on how to install and connect the temperature sensor.	1 

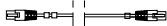
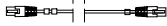

Optional Seismic Kit GVSOPT002

Part	Used in	Number of units
M8 x 20 mm bolt with washer	Install the Seismic Anchoring (Option), page 66 and Final Installation, page 92.	12 
Rear anchor		1 
Rear anchoring bracket		1 
Front anchoring bracket		1 
Rear connection plate	Used for installation with an adjacent product. Follow instructions in the installation manual for the adjacent product.	1 

Optional NEMA 2 Hole Kit GVSOPT005




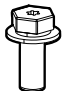

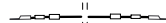
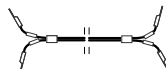
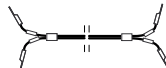
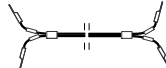




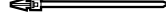
Part	Used in	Number of units
NEMA 2 hole plate (output, DC+, N)	Connect the Power Cables with NEMA 2 Hole Plates, page 72.	7 
NEMA 2 hole plate (input, bypass, DC-)		8 
M8 nut with washer		30 
Spring washer		30 
M8x24 mm flat washer		60 

Optional Parallel Kit GVSOPT006

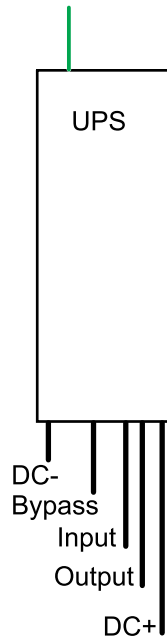
Part	Used in	Number of units
PBUS1 cable 0W6268	Connect the PBUS Cables, page 88.	1 
PBUS2 cable 0W6267		1 
AUX switch	Connect the IMB Signal Cables in a Simplified 1+1 Parallel System, page 84.	2 
This kit contains parts for use with other UPS models which are not relevant for this installation.		

Optional Kit GVSOPT030

Only for installation with adjacent modular battery cabinet(s). Follow the modular battery cabinet installation manual.

Part	Used in	Number of units
Interconnection clamp	For interconnection.	3 
M6 x 16 mm screw with washer		3 
M6 nut with washer		3 
M8 x 25 mm bolt with washer	For power cable connection.	9 
M8 nut with washer		9 
PE cable 0W13065 (for modular battery cabinet 1)	For power cable connection for modular battery cabinet 1.	1 
DC cable 0W13071 (for modular battery cabinet 1)		1 
DC cable 0W13066 (for modular battery cabinet 2)	Only for power cable connection for modular battery cabinet 2,3,4 for a UPS rated over 50 kW. For a UPS rated for maximum 50 kW, use the provided DC cables.	1 
DC cable 0W13068 (for modular battery cabinet 3)		1 
DC cable 0W13067 (for modular battery cabinet 4)		1 
Signal cable 0W13070	For signal cable connection for modular battery cabinet 1.	1 
Signal cable 0W13069		1 
Cable tie	For power cable fastening.	18 
Cable tie		30 

Installation Procedure for Single Systems

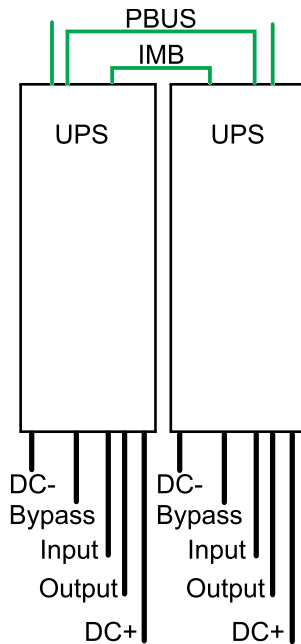


— Signal cable
— Power cable

1. Prepare for Installation, page 61.
2. **For UPS without preinstalled power modules:** Install the Power Module(s), page 65.
3. Install the Seismic Anchoring (Option), page 66.
4. **Only for TN-C/480 V solid-grounded earthing system (no neutral connection):** Prepare the UPS for TN-C/480 V Solid-Grounded System, page 67.
5. Perform one of the following:
 - Connect the Power Cables, page 68, or
 - Connect the Power Cables with NEMA 2 Hole Plates, page 72.
6. Connect the Signal Cables, page 76.
7. Connect the Signal Cables from a Modular Battery Cabinet, page 78.
8. Connect the Signal Cables from Switchgear and Third-Party Auxiliary Products, page 80.
9. Connect the External Communication Cables, page 89.
10. Add Translated Safety Labels to Your Product, page 91.
11. Final Installation, page 92.

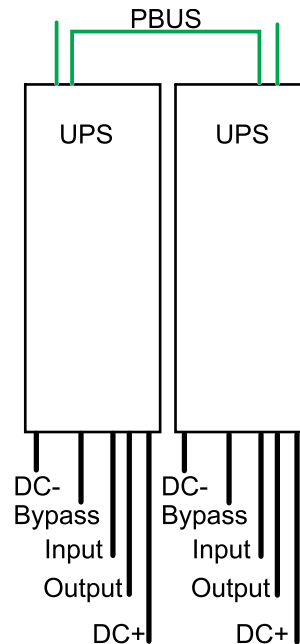
Installation Procedure for Parallel Systems

Simplified 1+1 Parallel System



— Signal cable
— Power cable

Parallel System



1. Prepare for Installation, page 61.
2. **For UPS without preinstalled power modules:** Install the Power Module(s), page 65.
3. Install the Seismic Anchoring (Option), page 66.
4. Only for TN-C/480 V solid-grounded earthing system (no neutral connection): Prepare the UPS for TN-C/480 V Solid-Grounded System, page 67.
5. Perform one of the following:
 - Connect the Power Cables, page 68, or
 - Connect the Power Cables with NEMA 2 Hole Plates, page 72.
6. Connect the Signal Cables, page 76.
7. Connect the Signal Cables from a Modular Battery Cabinet, page 78.
8. Connect the Signal Cables from Switchgear and Third-Party Auxiliary Products, page 80.
9. Perform one of the following:
 - **For simplified 1+1 parallel system:** Connect the IMB Signal Cables in a Simplified 1+1 Parallel System, page 84.
 - **For parallel system:** Install a padlock on the internal maintenance breaker IMB in the open position on all UPSs in the parallel system.
10. Connect the PBUS Cables, page 88.
11. Connect the External Communication Cables, page 89.
12. Add Translated Safety Labels to Your Product, page 91.
13. Final Installation, page 92.

Installation Procedure for Single Marine Systems

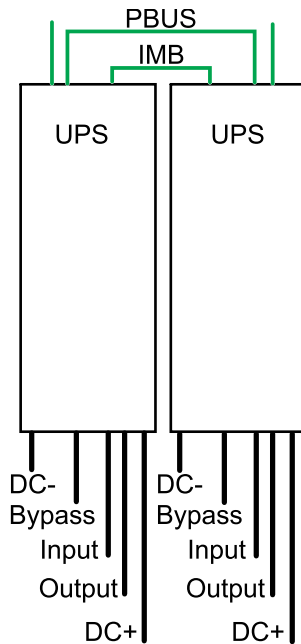


— Signal cable
— Power cable

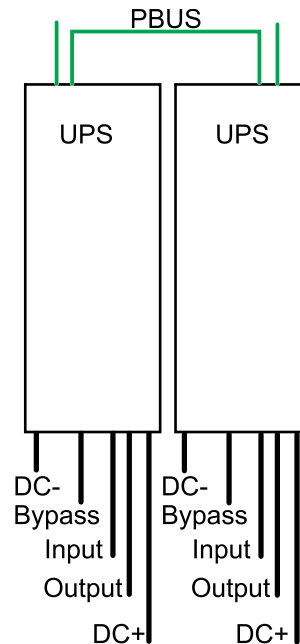
1. Install the IP22 kit GVSOPT026 on the UPS – follow the installation manual provided with the kit.
2. Install the UPS and the modular battery cabinet (if present) on the mounting skid kit GVSOPT027 – follow the installation manual provided with the kit.
3. Prepare for Installation, page 61.
4. Install the Power Module(s), page 65.
5. Install the Seismic Anchoring (Option), page 66.
6. Connect the Power Cables, page 68.
7. Connect the Signal Cables, page 76.
8. Connect the Signal Cables from a Modular Battery Cabinet, page 78.
9. Connect the Signal Cables from Switchgear and Third-Party Auxiliary Products, page 80.
10. Connect the External Communication Cables, page 89.
11. Add Translated Safety Labels to Your Product, page 91.
12. Final Installation, page 92.

Installation Procedure for Parallel Marine Systems

Simplified 1+1 Parallel System



Parallel System



— Signal cable
— Power cable

1. Install the IP22 kit GVSOPT026 on the UPSs – follow the installation manual provided with the kit.
2. Install the UPSs and the modular battery cabinet(s) (if present) on the mounting skid kit GVSOPT027 – follow the installation manual provided with the kit.
3. Prepare for Installation, page 61.
4. Install the Power Module(s), page 65.
5. Install the Seismic Anchoring (Option), page 66.
6. Connect the Power Cables, page 68
7. Connect the Signal Cables, page 76.
8. Connect the Signal Cables from a Modular Battery Cabinet, page 78.
9. Connect the Signal Cables from Switchgear and Third-Party Auxiliary Products, page 80.
10. Perform one of the following:
 - **For simplified 1+1 parallel system:** Connect the IMB Signal Cables in a Simplified 1+1 Parallel System, page 84.
 - **For parallel system:** Install a padlock on the internal maintenance breaker IMB in the open position on all UPSs in the parallel system.
11. Connect the PBUS Cables, page 88.
12. Connect the External Communication Cables, page 89.
13. Add Translated Safety Labels to Your Product, page 91.
14. Final Installation, page 92.

Prepare for Installation

⚠️⚠️ DANGER

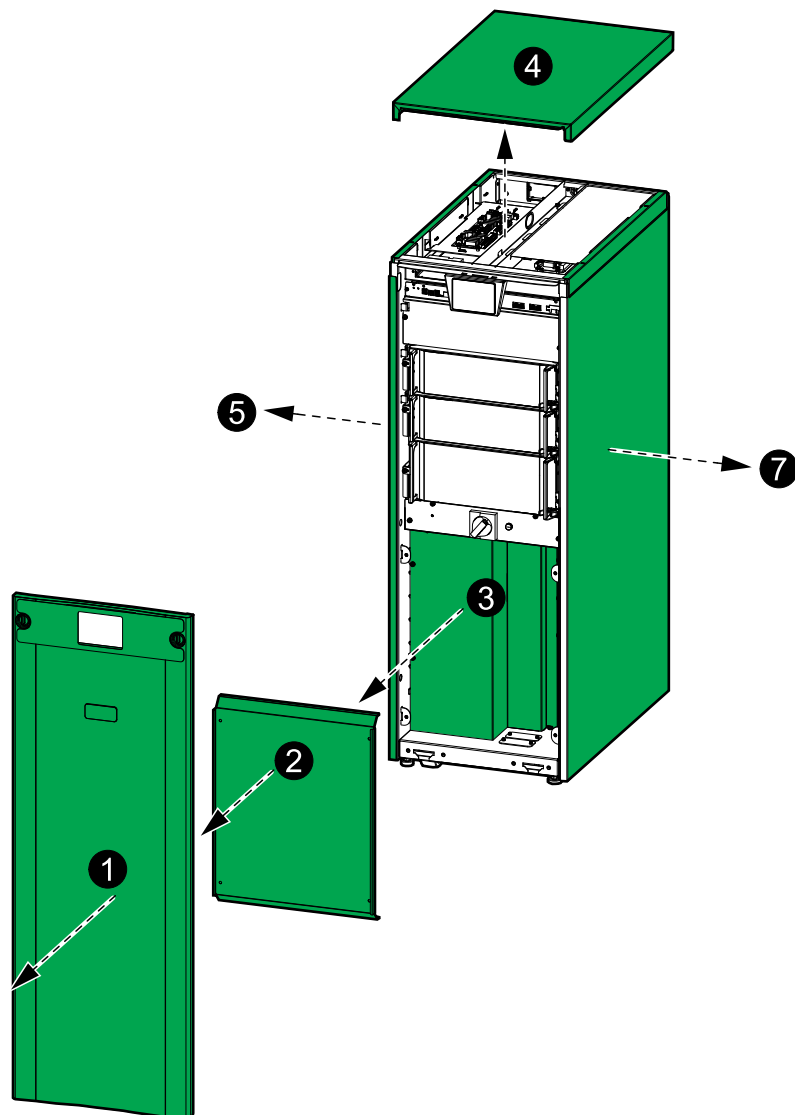
HAZARD OF ELECTRIC SHOCK, EXPLOSION, OR ARC FLASH

Do not drill or punch holes for cables or conduits with the gland plate installed and do not drill or punch holes in close proximity to the UPS.

Failure to follow these instructions will result in death or serious injury.

NOTE: Route the signal cables separately from the power cables and route the Class 2/SELV cables separately from the non-Class 2/non-SELV cables.

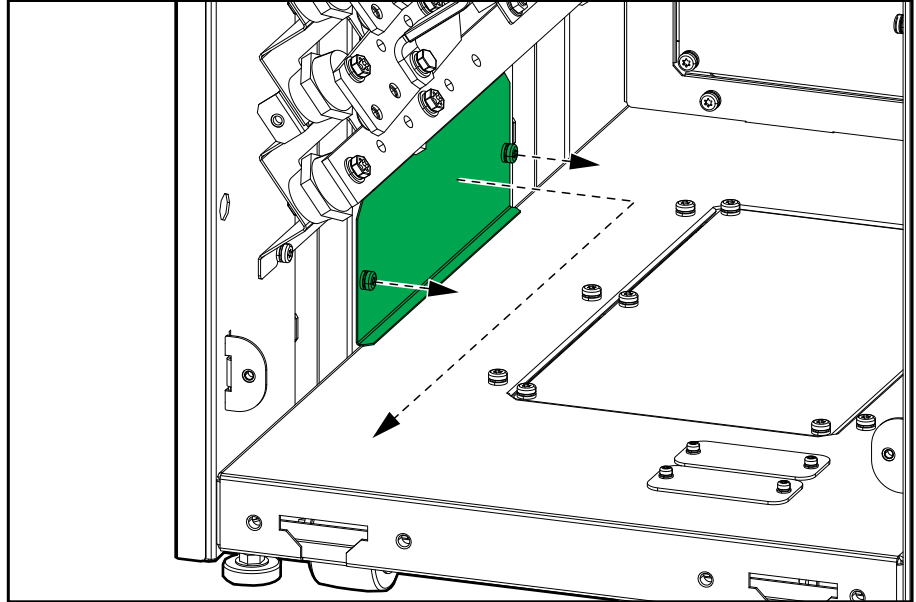
1. Remove the front panel.



2. Remove the lower front plate.
3. Remove the transparent cover.
4. Remove the top cover:
 - a. Remove the screws and tilt the front of the top cover upwards.
 - b. Slide the top cover towards the rear to remove it. Tabs in the rear of the top cover must disconnect from the slots in the rear of the UPS.

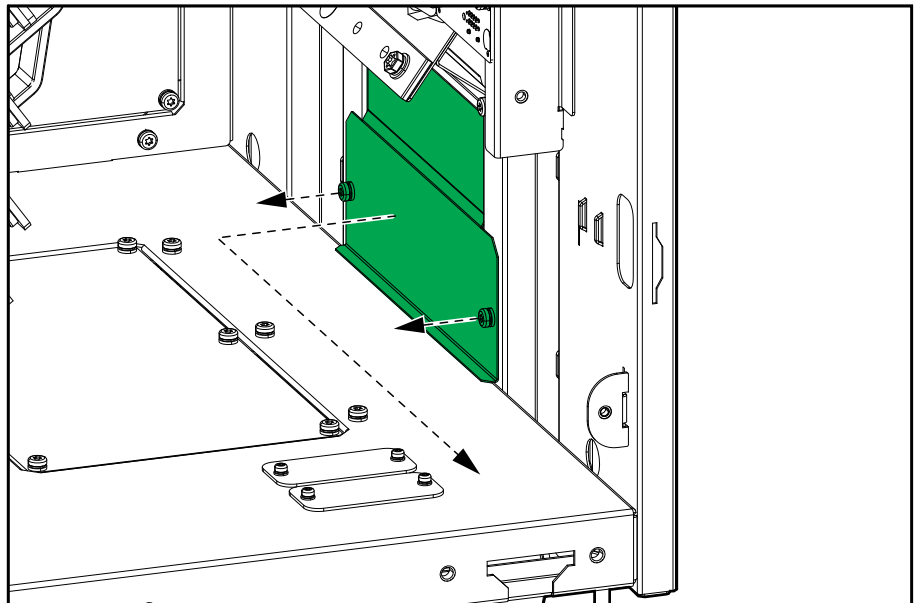
5. **For installation with adjacent auxiliary cabinet on the left side of the UPS:** Remove the left side panel. The side panel is reinstalled on some adjacent auxiliary cabinets. Follow the adjacent auxiliary product manual.
6. **For installation with adjacent auxiliary cabinet on the left side of the UPS:** Remove the lower left side plate for internal power cabling between the UPS and the adjacent auxiliary cabinet.

Front View of the UPS



7. **For installation with adjacent auxiliary cabinet on the right side of the UPS:** Remove the right side panel. The side panel is reinstalled on some adjacent auxiliary cabinets. Follow the adjacent auxiliary product manual.
8. **For installation with adjacent auxiliary cabinet on the right side of the UPS:** Remove the lower right side plate for internal power cabling between the UPS and the adjacent auxiliary cabinet.

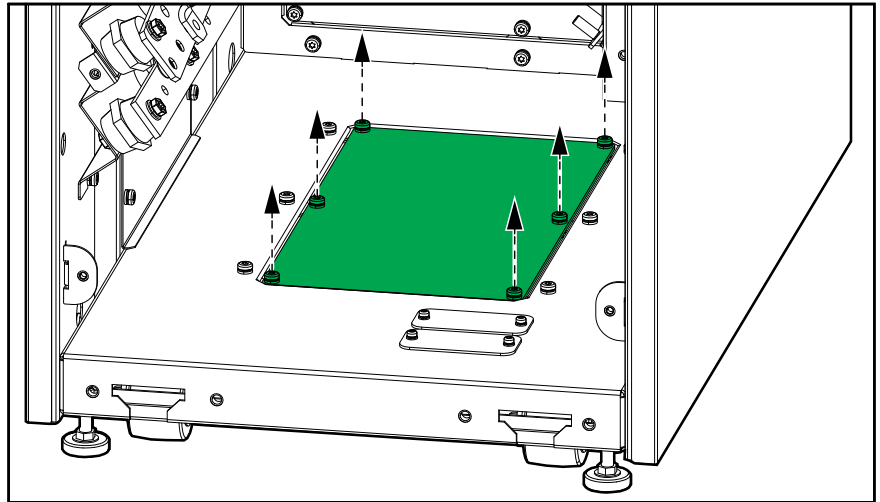
Front View of the UPS



9. Perform one of the following:

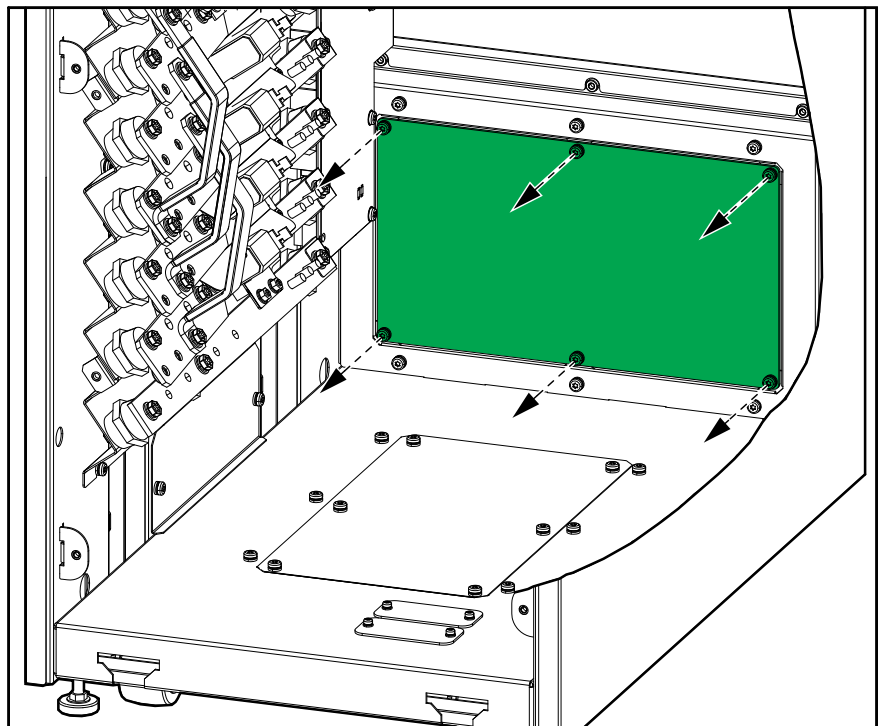
- **For bottom cable entry:** Remove the gland plate in the bottom of the UPS.

Front View of the UPS



- **For rear cable entry:** Remove the gland plate in the rear of the UPS.

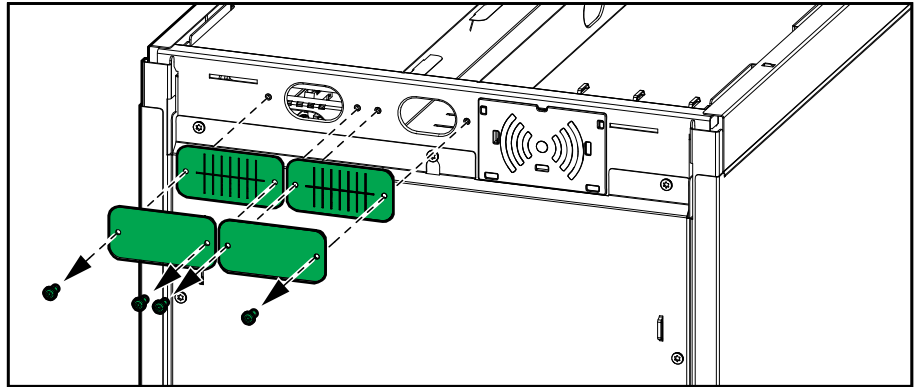
Front View of the UPS



10. Drill/punch holes for power cables/conduits in the gland plate. Install conduits (not provided), if applicable.
11. Install the gland plate in the bottom or rear of the UPS.

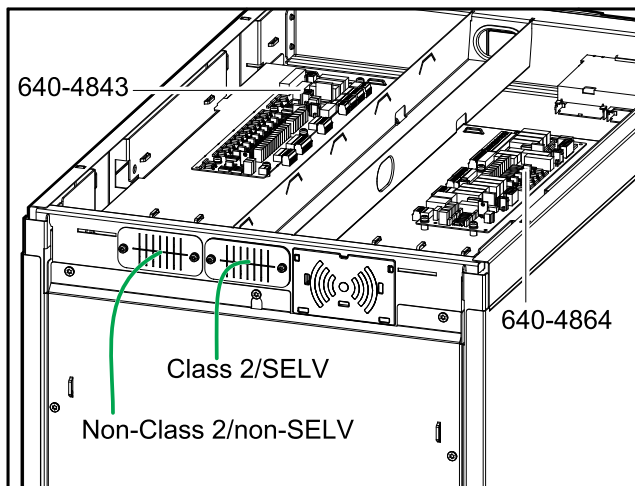
12. Remove the rear gland plates and the rear brush plates from the UPS.

Rear View of the UPS

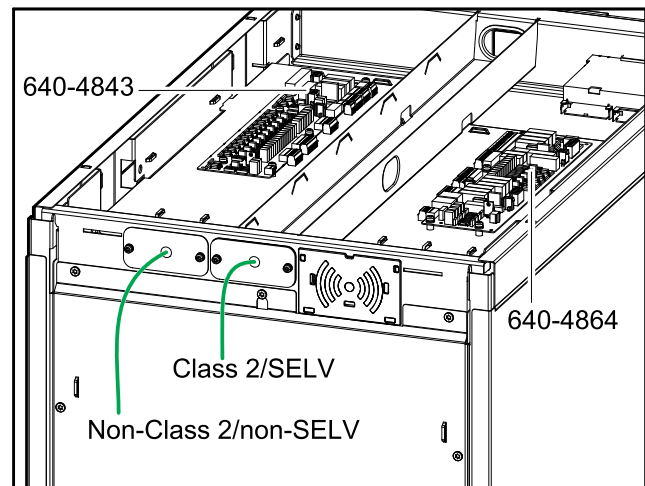


13. Perform one of the following:
- **For installation without conduits:** Reinstall the brush plates.
 - **For installation with conduits:** Drill a hole in the gland plates for conduits, install conduits, and reinstall the gland plates.

Rear View of the UPS without Conduits



Rear View of the UPS with Conduits



14. Route the non-Class 2/non-SELV signal cables through the left rear brush/gland plate and into the left side of the UPS.
15. Route the external cables that connect to the controller box through the right rear brush/gland plate and through the cable channel to the front of the UPS.
16. Route the Class 2/SELV signal cables through the right rear brush/gland plate and into the right side of the UPS.

Install the Power Module(s)

⚠ CAUTION

HEAVY LOAD

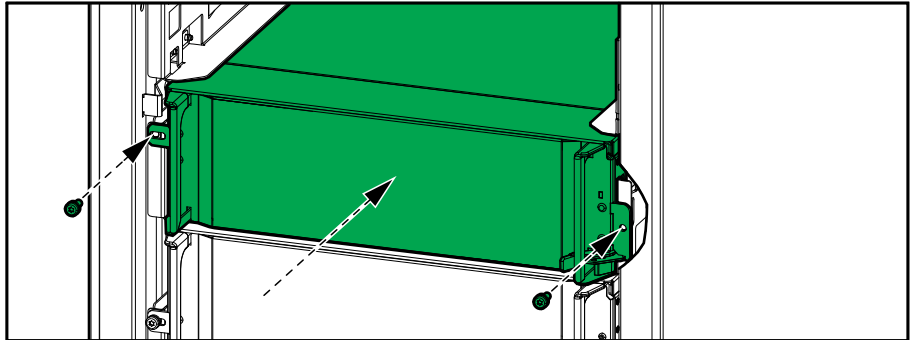
Power modules are heavy and require two persons to lift.

- 20 kW power module weighs 25 kg (55 lbs).
- 50 kW power module weighs 38 kg (84 lbs).

Failure to follow these instructions can result in injury or equipment damage.

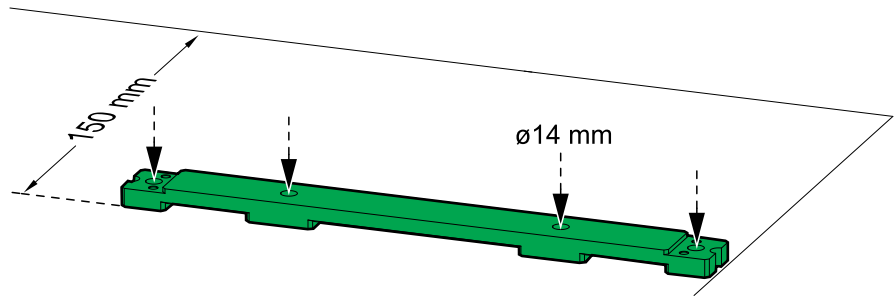
NOTE: Always install power modules starting with the bottom position and upwards.

1. Remove the screw in each side of the empty power module slot. Remove filler plate, if present.
2. Push the power module into the slot.
3. Reinstall the screw in each side of the slot.



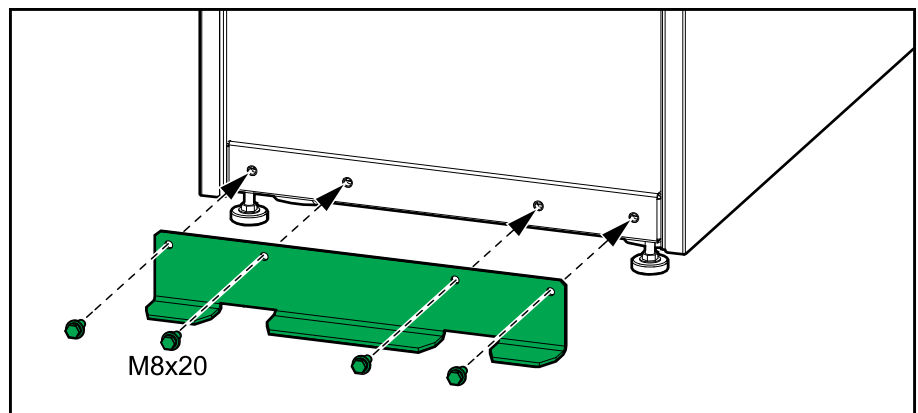
Install the Seismic Anchoring (Option)

1. Mount the rear anchor(s) to the floor. Use appropriate hardware for the floor type – the hole diameter in the rear anchor is $\varnothing 14$ mm.



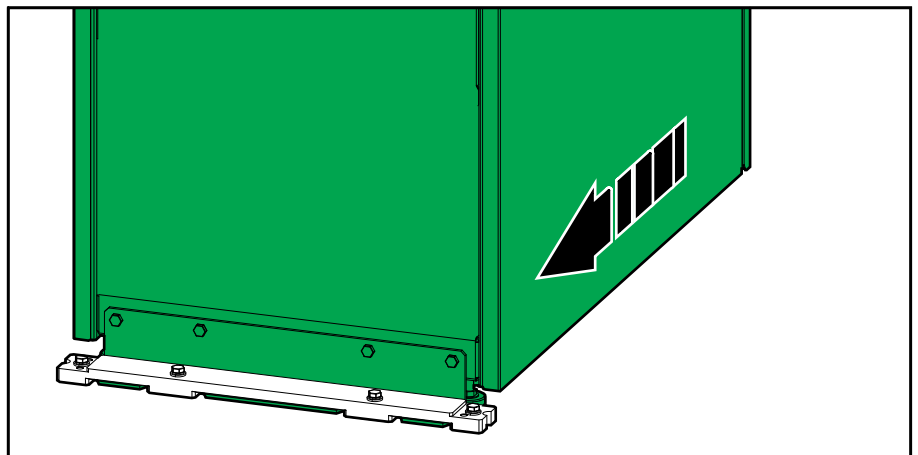
2. Install the rear anchoring bracket on the UPS with the provided M8 bolts.

Rear View of the UPS



3. Push the UPS into position so the rear anchoring bracket connects to the rear anchor. The front anchoring bracket is installed in the final installation steps.

Rear View of the UPS



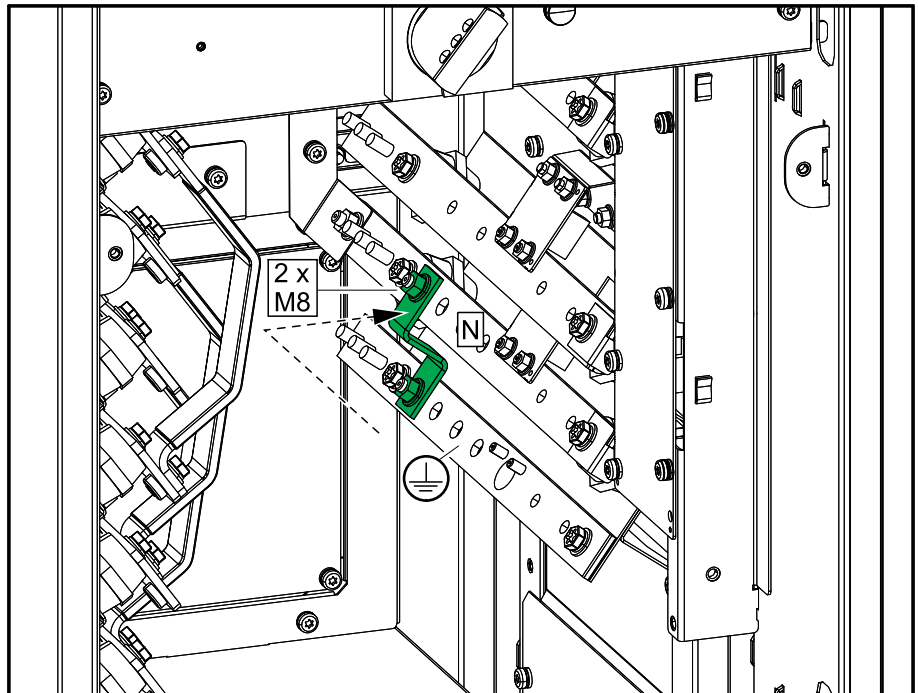
Prepare the UPS for TN-C/480 V Solid-Grounded System

NOTE: The UPS is preconfigured for TNS earthing system.

NOTE: 480 V solid-grounded system (no neutral connection) using a bonding busbar will result in a higher leakage current.

1. **Only for TN-C/480 V solid-grounded system (no neutral connection):**
Install the supplied bonding busbar.

Front View of the UPS – TN-C/480 V Solid-Grounded System (No Neutral Connection)



Connect the Power Cables

⚡⚠ DANGER

HAZARD OF ELECTRIC SHOCK, EXPLOSION, OR ARC FLASH

In single mains systems where power cables are split due to the cable size restriction, use the bypass busbars for the second input cable set. There is not enough space to land two input cable sets on the input busbars due to the single mains jumper busbars.

Failure to follow these instructions will result in death or serious injury.

NOTICE

RISK OF EQUIPMENT DAMAGE

To ensure correct load sharing in bypass operation in a parallel system:

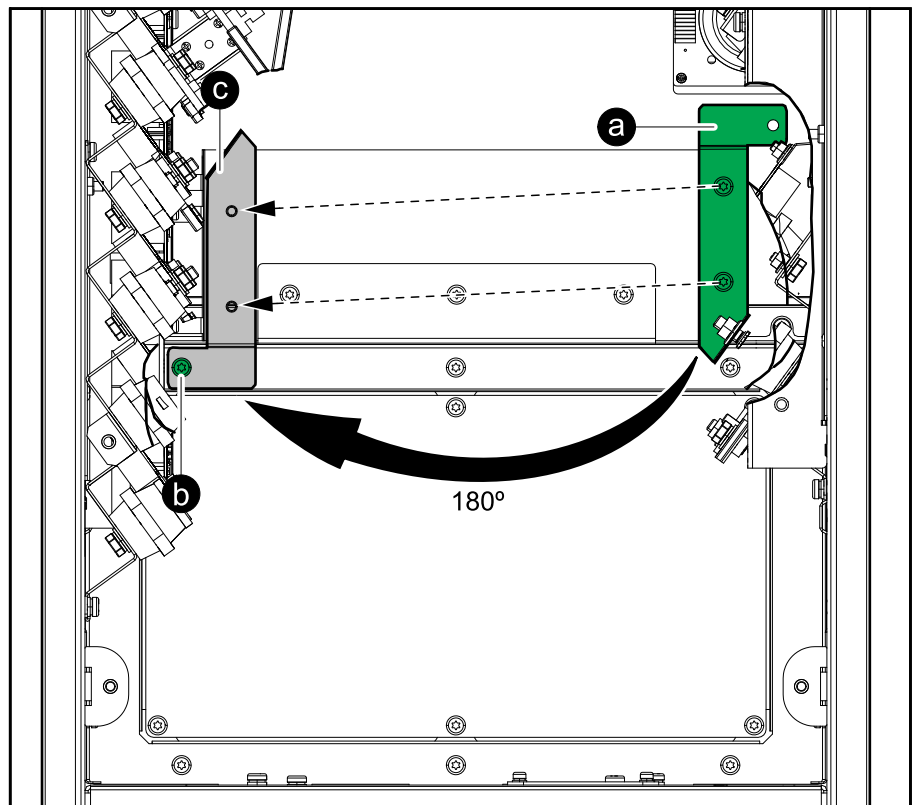
- All bypass cables must be the same length for all UPSs.
- All output cables must be the same length for all UPSs.
- All input cables must be the same length for all UPSs (only required in single mains system).

Failure to follow these instructions can result in equipment damage.

1. Only for 480 V solid-grounded systems (no neutral cable connection):

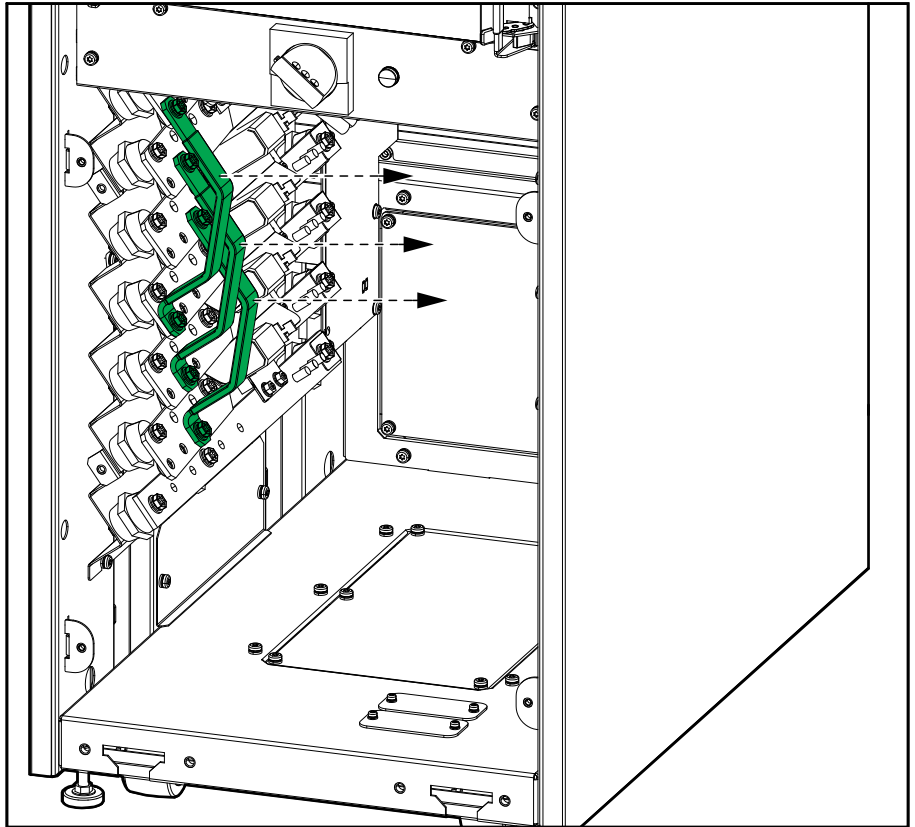
- Remove the RFI bracket. Save the two screws.
- Remove the screw in the left side and save it.
- Install the RFI bracket in the left side with the three screws.

Front View of the UPS

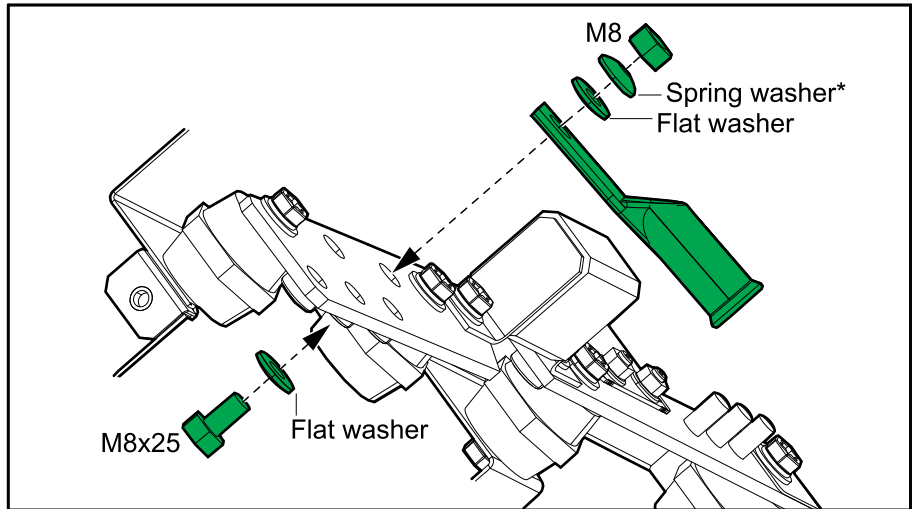


2. **Only for dual mains system:** Remove the three single mains jumper busbars.

Front View of the UPS



3. Connect the power cables as shown in the described order:

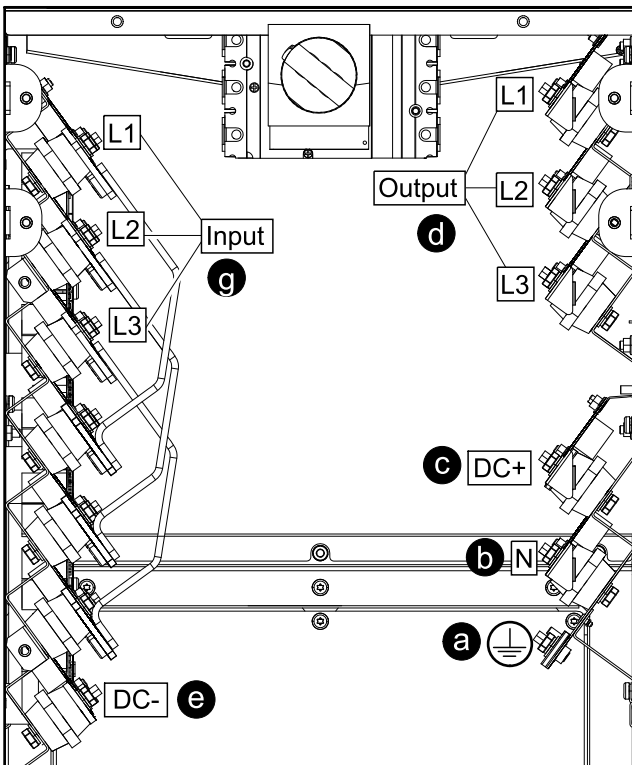


*Provided in kit.

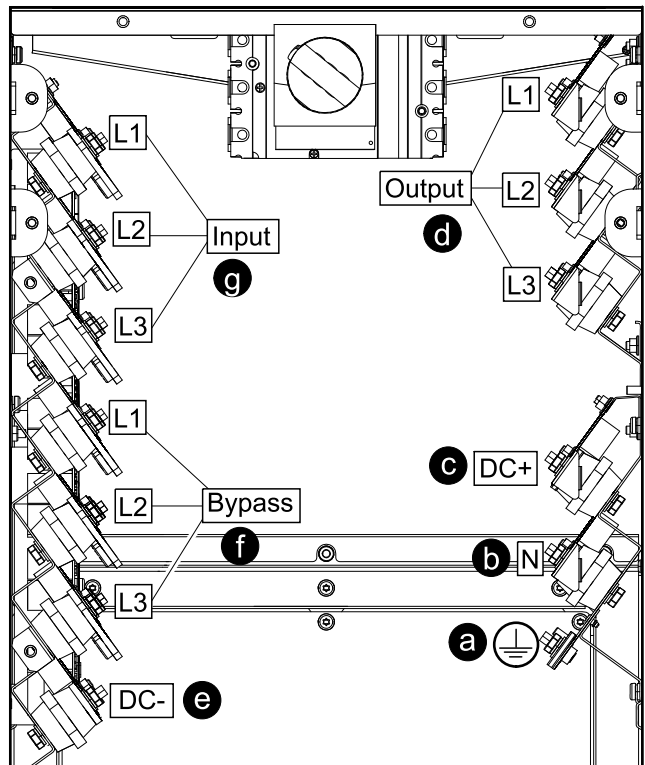
- a. Connect the equipment grounding conductor/PE cables.
- b. Connect the N cables. Connect battery midpoint (if present in battery solution).
- c. Connect the DC+ cables.
- d. Connect the output cables.
- e. Connect the DC- cables.
- f. **Only for dual mains system:** Connect the bypass cables.
- g. Connect the input cables.

NOTE: Ensure to connect the input cables to the correct input busbars in the top left side of the UPS.

Front View of the UPS – Single Mains System



Front View of the UPS – Dual Mains System



⚠ CAUTION**RISK OF EQUIPMENT DAMAGE**

Check the fastening of the cable lugs. If the cable lugs move due to pulling on cables, the bolt can become loose.

Failure to follow these instructions can result in injury or equipment damage.

Connect the Power Cables with NEMA 2 Hole Plates

⚡⚠ **DANGER**

HAZARD OF ELECTRIC SHOCK, EXPLOSION, OR ARC FLASH

In single mains systems where power cables are split due to the cable size restriction, use the bypass busbars for the second input cable set. There is not enough space to land two input cable sets on the input busbars due to the single mains jumper busbars.

Failure to follow these instructions will result in death or serious injury.

NOTICE

RISK OF EQUIPMENT DAMAGE

To ensure correct load sharing in bypass operation in a parallel system:

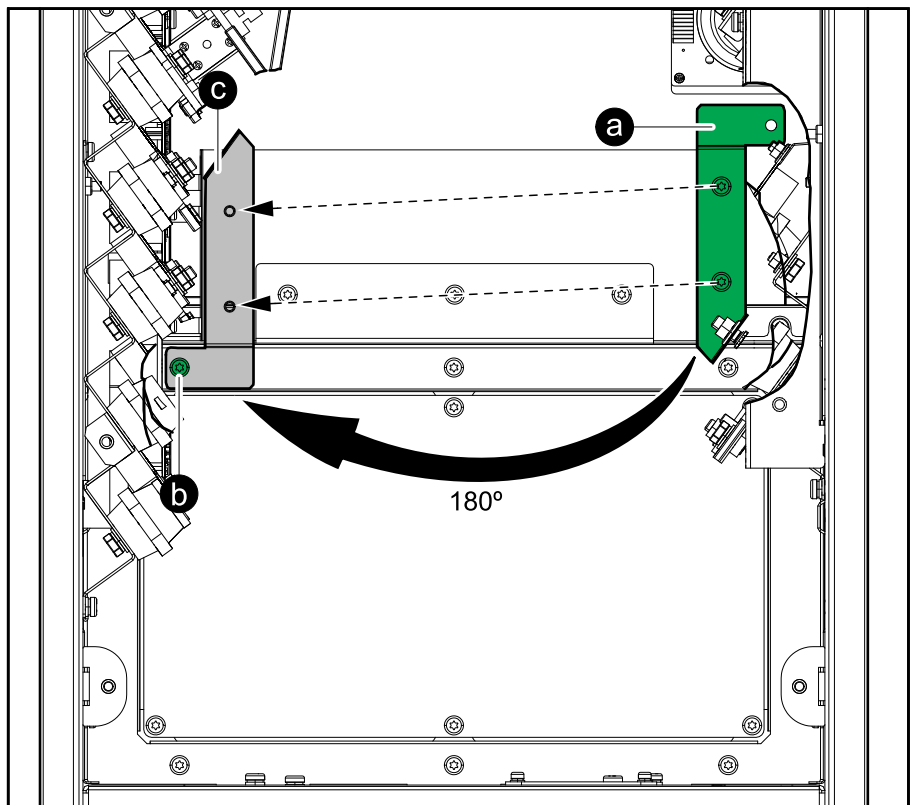
- All bypass cables must be the same length for all UPSs.
- All output cables must be the same length for all UPSs.
- All input cables must be the same length for all UPSs (only required in single mains system).

Failure to follow these instructions can result in equipment damage.

1. Only for 480 V solid-grounded systems (no neutral cable connection):

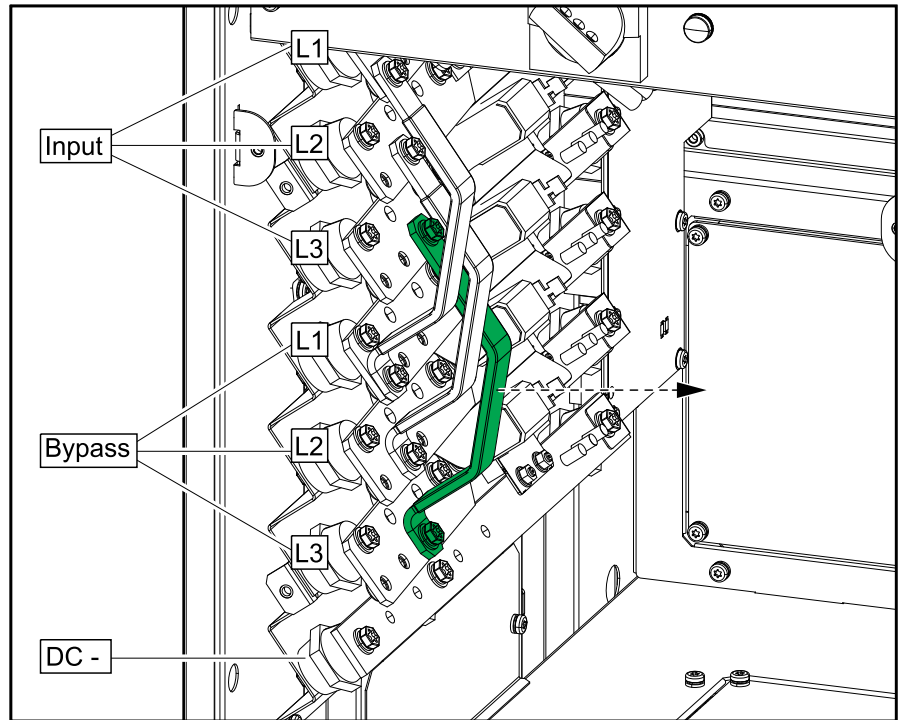
- a. Remove the RFI bracket. Save the two screws.
- b. Remove the screw in the left side and save it.
- c. Install the RFI bracket in the left side with the three screws.

Front View of the UPS

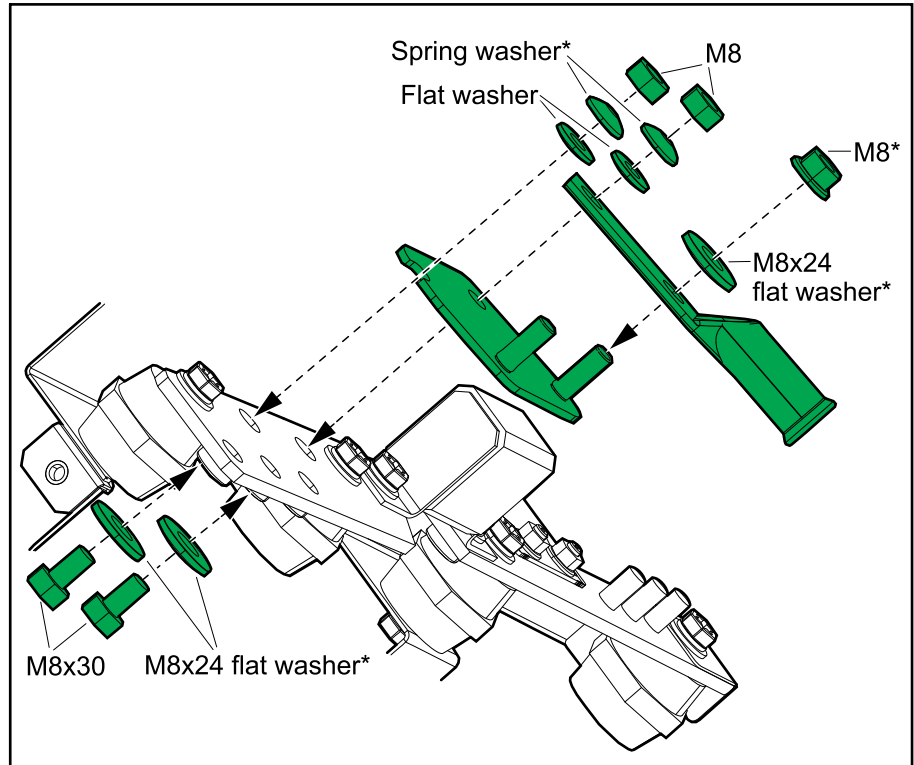


2. Perform one of the following:

- **Only for single mains system:** Remove the indicated L3 jumper busbar in the left side of the UPS. Save the L3 jumper busbar for reinstallation later.
- **Only for dual mains system:** Remove the three single mains jumper busbars in the left side of the UPS.

Front View of the UPS

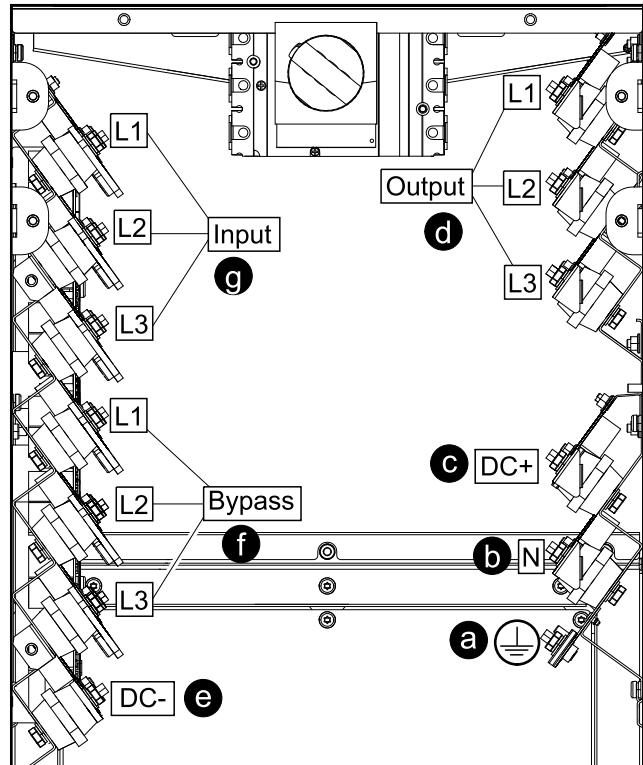
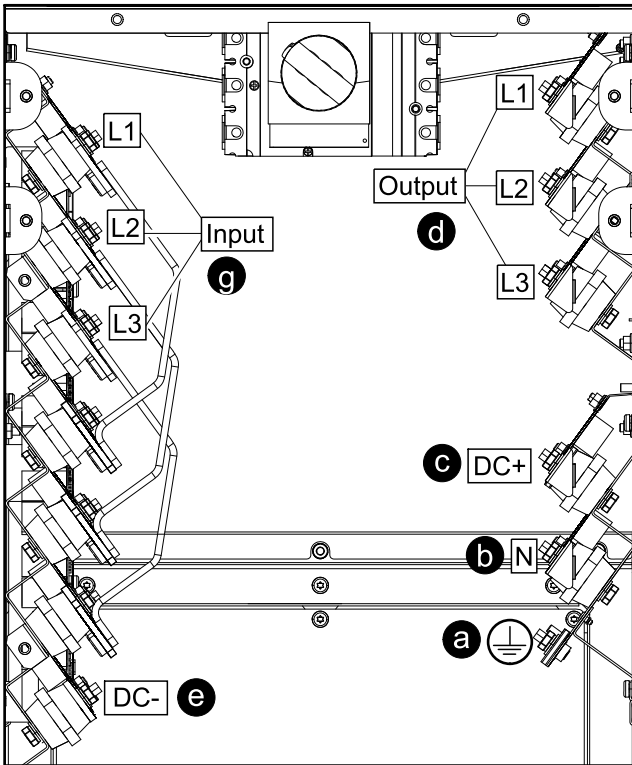
3. Install the NEMA 2 hole plates and connect the power cables as shown in the described order:



*Provided in kit.

Front View of the UPS — Single Mains System

Front View of the UPS — Dual Mains System



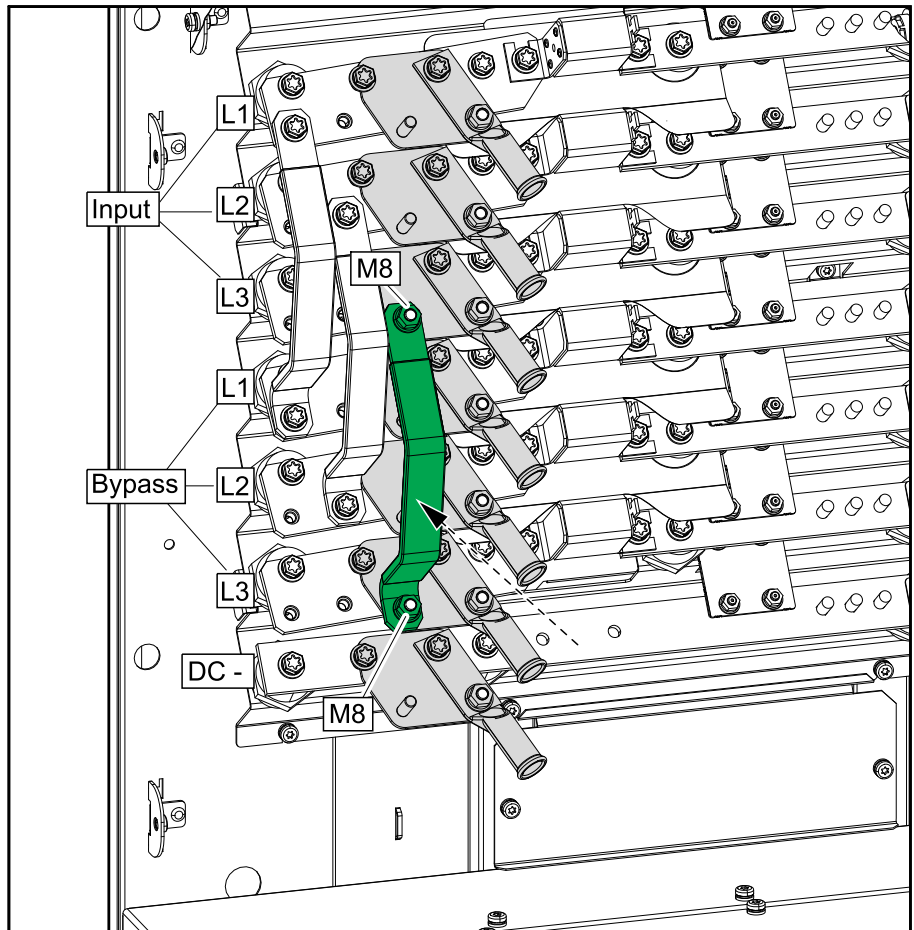
- a. Connect the equipment grounding conductor/PE cables.
- b. Connect the N cables. Connect battery midpoint (if present in battery solution).
- c. Connect the DC+ cables.

- d. Connect the output cables.
- e. Connect the DC- cables.
- f. **Only for dual mains system:** Connect the bypass cables.
- g. Connect the input cables.

NOTE: Ensure to connect the input cables to the correct input busbars in the top left side of the UPS.

- 4. **Only for single mains system:** Reinstall the L3 jumper busbar in its original position with two M8 nuts.

Front Right View of the UPS



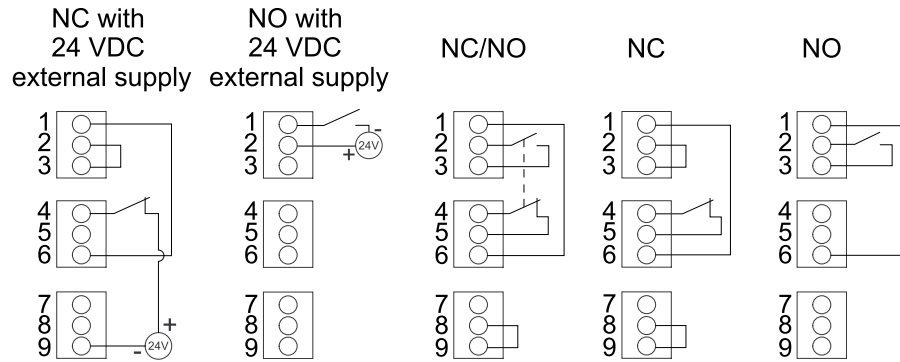
Connect the Signal Cables

NOTE: Route the signal cables separately from the power cables and route the Class 2/SELV cables separately from the non-Class 2/non-SELV cables.

1. Connect the Class 2/SELV signal cables from the building EPO to board 640–4864 terminal J6600 in the UPS according to one of the options below.

The EPO circuit is considered Class 2/SELV. Class 2/SELV circuits must be isolated from the primary circuitry. Do not connect any circuit to the EPO terminal block unless it can be confirmed that the circuit is Class 2/SELV.

EPO Configurations (640–4864 terminal J6600, 1–9)



The EPO input supports 24 VDC.

NOTE: The default setting for the EPO activation is to turn off the inverter.

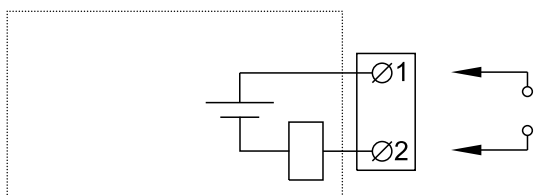
If you want the EPO activation to transfer the UPS into forced static bypass operation instead, please contact Schneider Electric.

2. Connect the Class 2/SELV signal cables from the auxiliary products to board 640–4864 in the UPS. Follow the instructions in the auxiliary product manuals.

3. Connect the Class 2/SELV signal cables to the input contacts and output relays on board 640–4864 in the UPS.

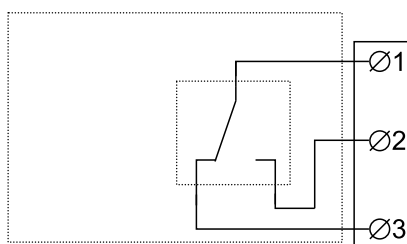
Do not connect any circuit to the input contacts unless it can be confirmed that the circuit is Class 2/SELV.

The input contacts support 24 VDC 10 mA. All circuits connected must have the same 0 V reference.



Name	Description	Location
IN_1 (input contact 1)	Configurable input contact	640-4864 terminal J6616, 1–2
IN_2 (input contact 2)	Configurable input contact	640-4864 terminal J6616, 3–4
IN_3 (input contact 3)	Configurable input contact	640-4864 terminal J6616, 5–6
IN_4 (input contact 4)	Configurable input contact	640-4864 terminal J6616, 7–8

The output relays support 24 VAC/VDC 1 A. All external circuitry must be fused with maximum 1 A fast acting fuses.



Name	Description	Location
OUT_1 (output relay 1)	Configurable output relay	640–4864 terminal J6617, 1–3
OUT_2 (output relay 2)	Configurable output relay	640–4864 terminal J6617, 4–6
OUT_3 (output relay 3)	Configurable output relay	640–4864 terminal J6617, 7–9
OUT_4 (output relay 4)	Configurable output relay	640–4864 terminal J6617, 10–12

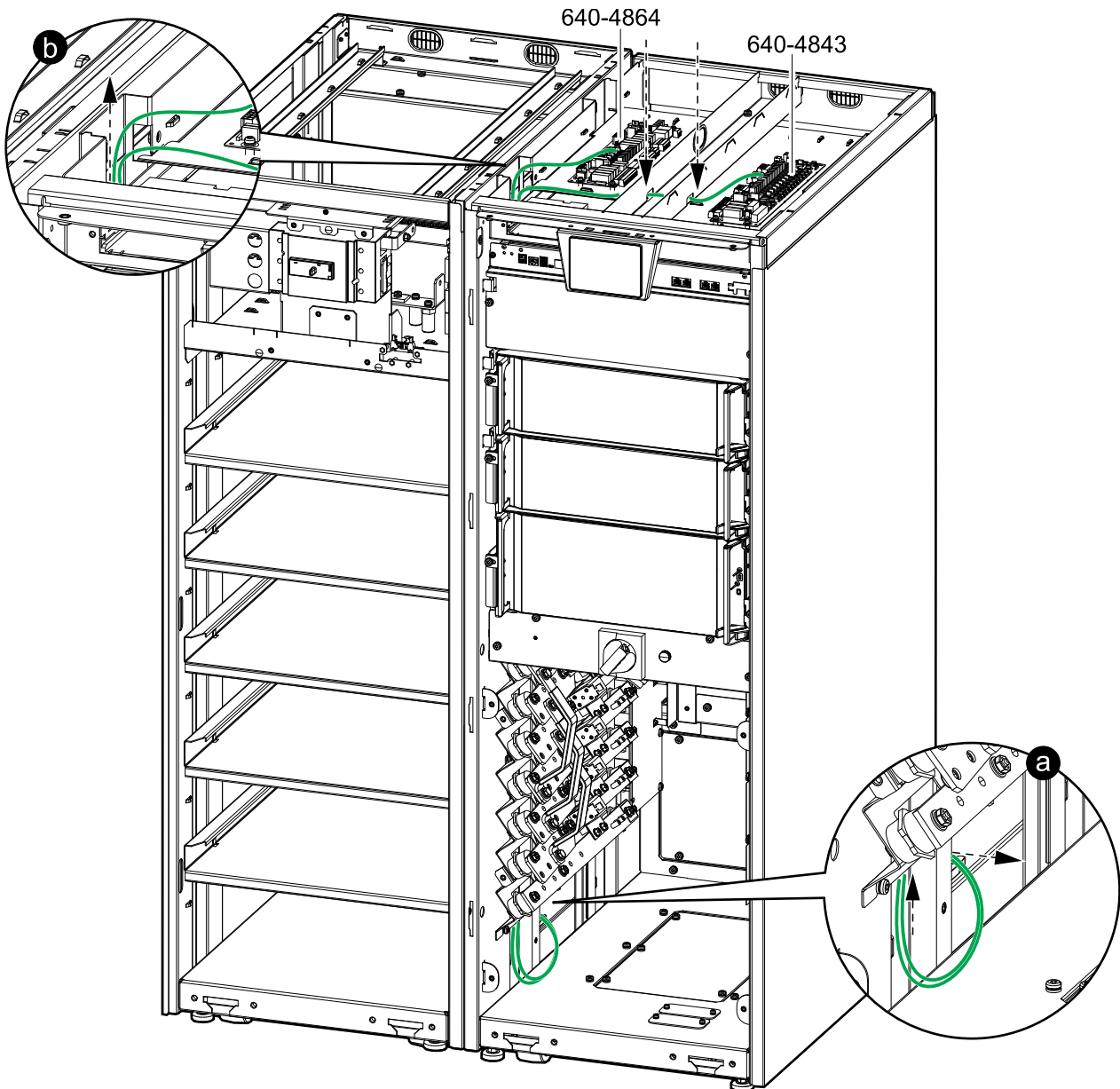
4. Connect the non-Class 2/non-SELV signal cables from the auxiliary products to board 640–4843 in the UPS. Follow the instructions in the auxiliary product manuals.

Connect the Signal Cables from a Modular Battery Cabinet

For installation with adjacent modular battery cabinet, use the signal cables provided in optional installation kit GVSOPT030. For installation with remote modular battery cabinets, signal cables are not provided. Follow the modular battery cabinet installation manual to prepare for installation.

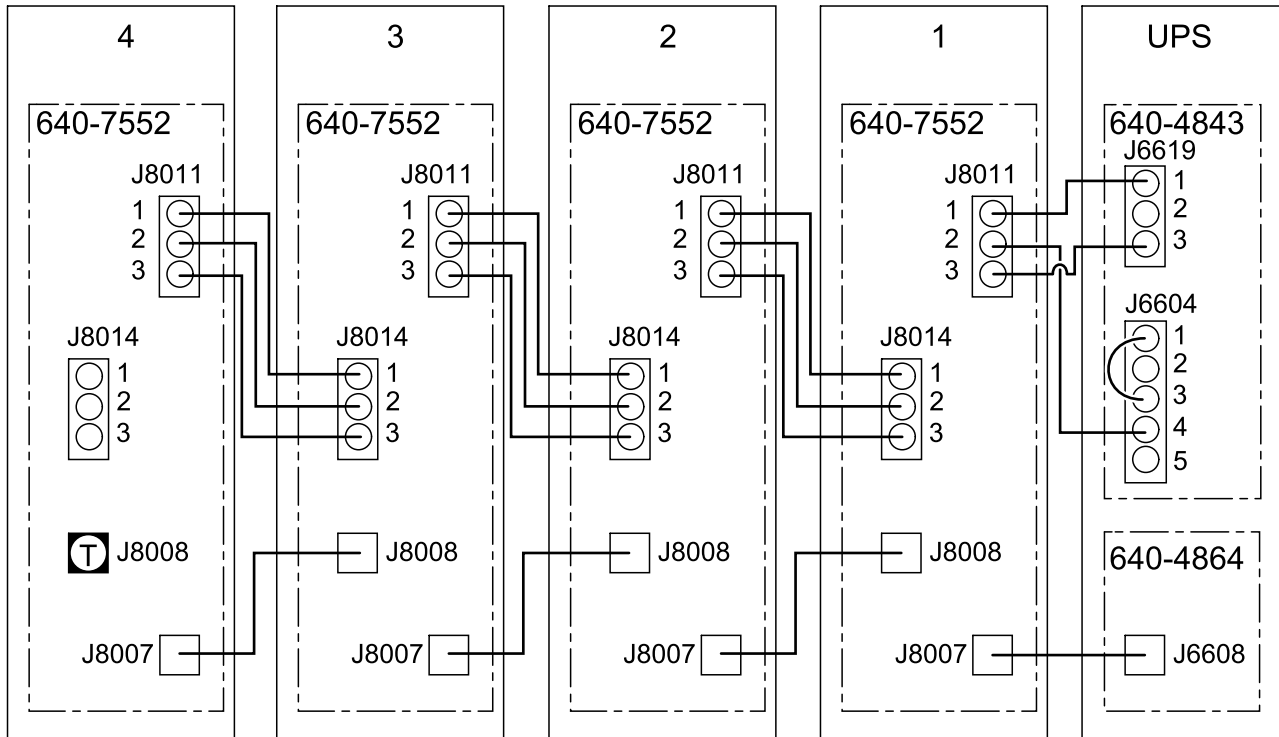
1. **For a remote modular battery cabinet:** Route the signal cables from modular battery cabinet 1 through the rear of the UPS.
2. **For an adjacent modular battery cabinet:** Route the signal cables from modular battery cabinet 1 to the UPS as shown.
 - a. Route the signal cables from modular battery cabinet 1 into the UPS through the opening.
 - b. Route the signal cables up through the cable channel in the UPS.

Front View of Adjacent Modular Battery Cabinet 1 and the UPS



3. Connect the signal cables from modular battery cabinet 1 to the UPS:
 - a. Mount a termination plug in J8008 on board 640-7552 in the last modular battery cabinet (T).
 - b. Connect the signal cable from J8011 on board 640-7552 in modular battery cabinet 1 to J6619 and J6604 on board 640-4843 in the UPS.
 - c. Connect the signal cable from J8007 on board 640-7552 in modular battery cabinet 1 to J6608 on board 640-4864 in the UPS.

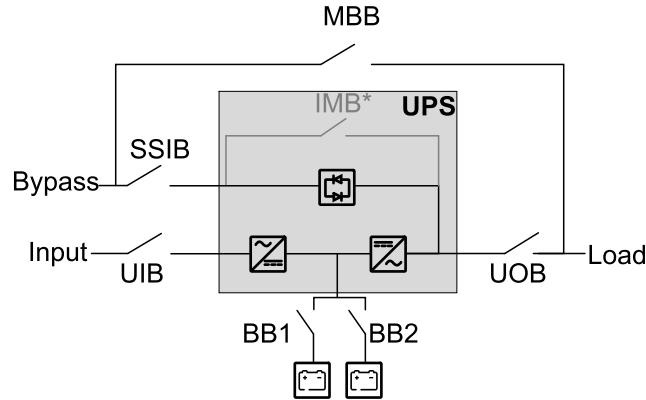
Signal Cable Connections between Four Modular Battery Cabinets and the UPS



Connect the Signal Cables from Switchgear and Third-Party Auxiliary Products

NOTE: Route the signal cables separately from the power cables and route the Class 2/SELV cables separately from the non-Class 2/non-SELV cables.

Example of Single System with Third-Party Switchgear



NOTE: The internal maintenance breaker IMB* cannot be used in a system with an external maintenance bypass breaker MBB and the internal maintenance breaker IMB* must be padlocked in the open position.

1. Install the temperature sensor provided with the UPS in the battery solution. In battery cabinets, install the temperature sensor in the top corner of the battery cabinet.

▲ WARNING

HAZARD OF FIRE

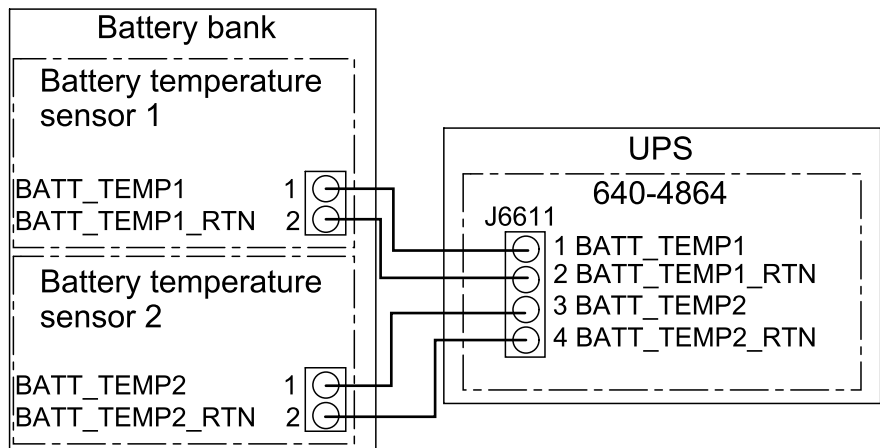
Position the temperature sensor as described to ensure correct temperature measurements.

Failure to follow these instructions can result in death, serious injury, or equipment damage.

2. Route the battery temperature sensor cables from the battery solution to the UPS and connect on board 640-4864 in the top of the UPS as shown.

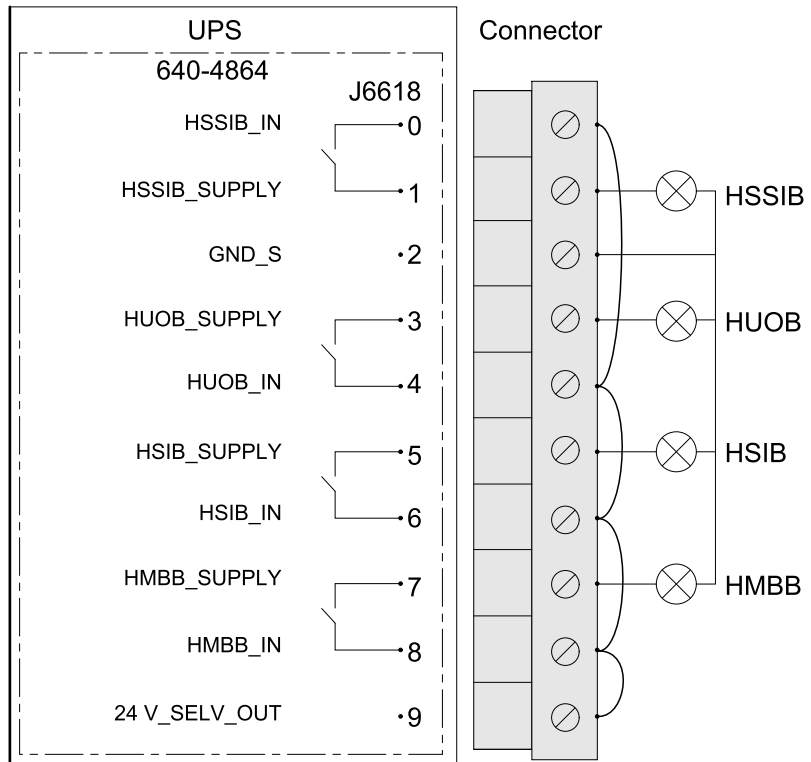
NOTE: One temperature sensor is provided with the UPS. Contact Schneider Electric if you want to buy an additional temperature sensor.

NOTE: The battery temperature sensor cables are considered Class 2/SELV. Class 2/SELV circuits must be isolated from the primary circuitry.



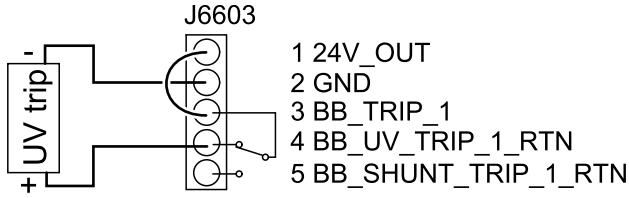
3. Connect signal cables from the breaker indicator lights in your switchgear to board 640-4864 terminal J6618 in the top of the UPS. If an external supply is used, remove jumper from J6618 pin 8 and 9.

NOTE: The breaker indicator light circuit is considered Class 2/SELV. Class 2/SELV circuits must be isolated from the primary circuitry. Do not connect any circuit to the breaker indicator light terminals unless it can be confirmed that the circuit is Class 2/SELV.

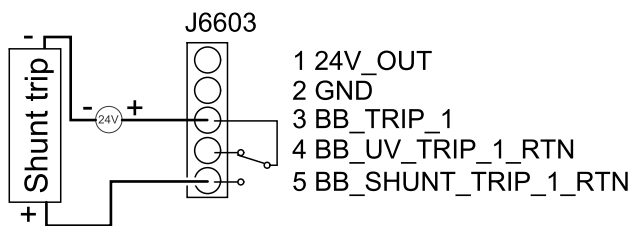
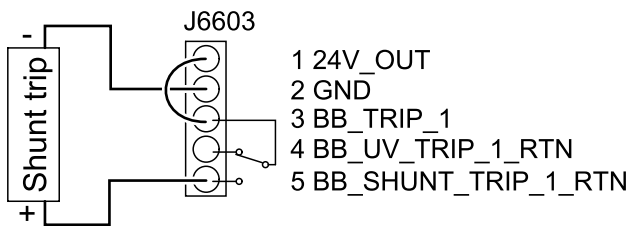
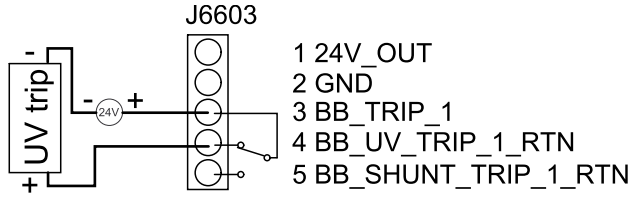


- Connect the signal cables from battery breaker 1 in your battery solution for shunt trip or undervoltage (UV) trip connection to board 640-4843 terminal J6603. Follow the illustration for connection with internal or external 24 VDC supply.

Battery Breaker Trip Connection with Internal 24 VDC Supply



Battery Breaker Trip Connection with External 24 VDC Supply

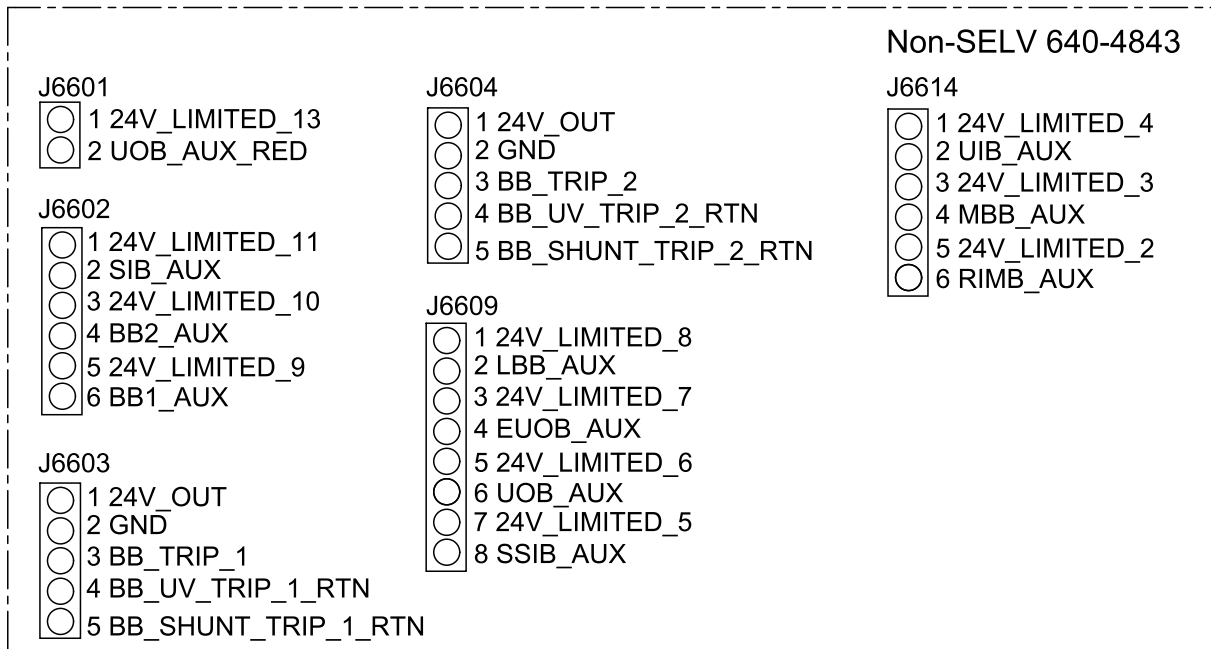
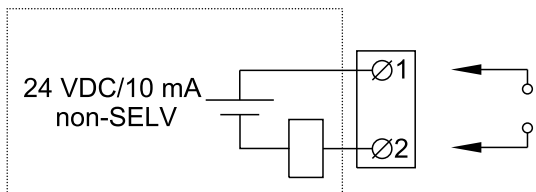


Supported Shunt

Current (A)	Time (ms)	Temperature
1.6	Continuous	20 °C (68 °F)
10	1300	20 °C (68 °F)
20	200	20 °C (68 °F)
30	60	20 °C (68 °F)

- Connect the signal cables from battery breaker 2 (if present) in your battery solution for shunt trip or undervoltage (UV) trip connection to board 640-4843 terminal J6604. The connection principle is the same as for battery breaker 1.

6. Connect signal cables from AUX switches in your switchgear to board 640-4843 in the top of the UPS.



Terminal number	Function	Connection
J6601	UOB_RED (redundant AUX switch in unit output breaker)	Connect to redundant AUX switch in unit output breaker UOB.
J6602	SIB (system isolation breaker)	Connect to normally open (NO) AUX switch in system isolation breaker SIB for parallel system. SIB must contain an AUX switch for each connected UPS.
	BB2 (battery breaker 2)	Connect to normally open (NO) AUX switch in battery breaker number 2 ¹⁸
	BB1 (battery breaker 1)	Connect to normally open (NO) AUX switch in battery breaker number 1 ¹⁸
J6603	BB1_TRIP (battery breaker 1)	Connect to shunt trip or UV trip in battery breaker number 1 ¹⁸
J6604	BB2_TRIP (battery breaker 2)	Connect to shunt trip or UV trip in battery breaker number 2 ¹⁸
J6609	UOB (unit output breaker)	Connect to normally open (NO) AUX switch in unit output breaker UOB.
	SSIB (static switch input breaker)	Connect to normally open (NO) AUX switch in static switch input breaker SSIB. SSIB must contain an AUX switch for each connected UPS.
J6614	UIB (unit input breaker)	Connect to normally open (NO) AUX switch in unit input breaker UIB. UIB must contain an AUX switch for each connected UPS.
	MBB (maintenance bypass breaker)	Connect to normally closed (NC) AUX switch in maintenance bypass breaker MBB. MBB must contain an AUX switch for each connected UPS.

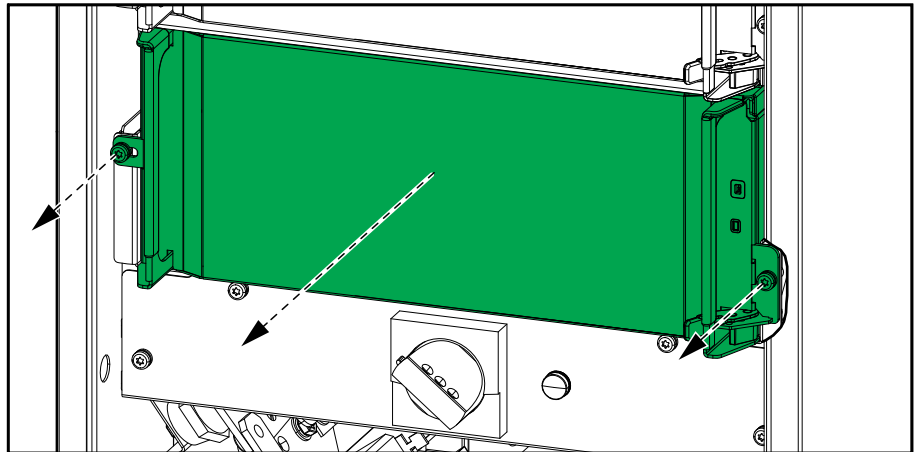
18. The UPS can connect to and monitor up to two battery breakers.

Connect the IMB Signal Cables in a Simplified 1+1 Parallel System

NOTE: Route the signal cables separately from the power cables to ensure sufficient isolation.

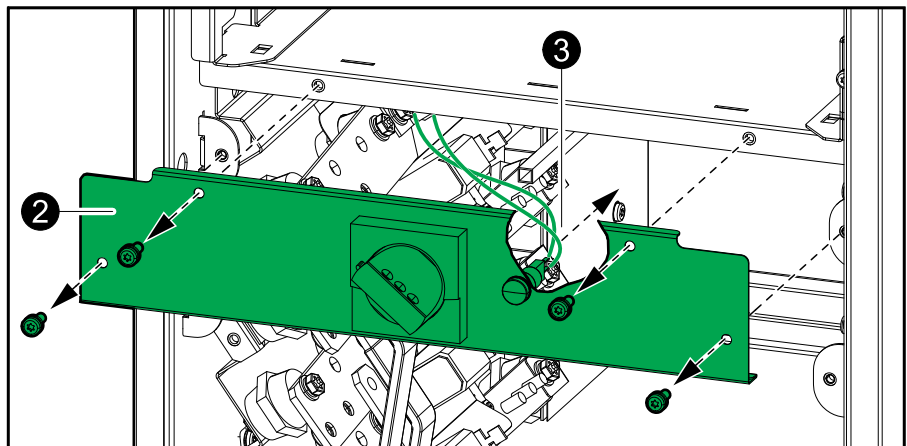
1. Remove the static switch module from both UPSs.

Front View of the UPS



2. Remove the cover from both UPSs.

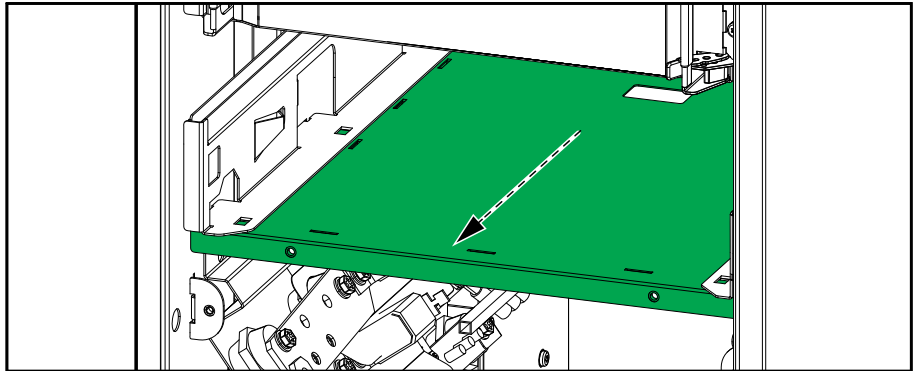
Front View of the UPS



3. Disconnect the signal cables from the internal maintenance breaker IMB indicator light on both UPSs.

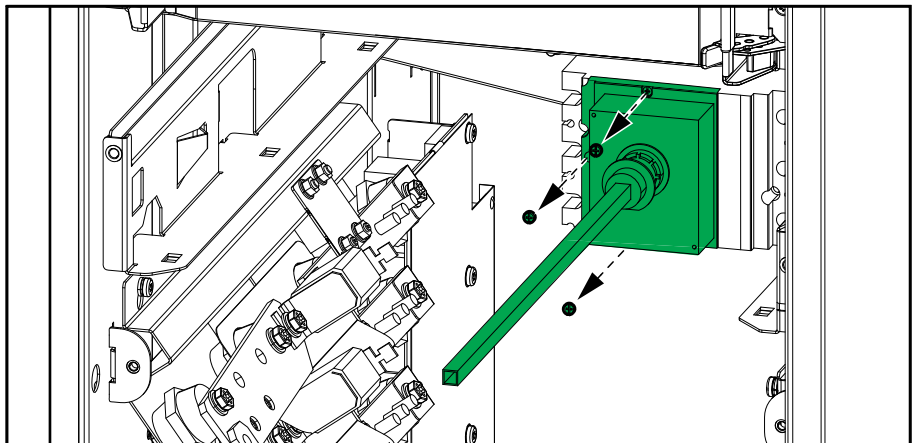
4. Remove the shelf from both UPSs.

Front View of the UPS



5. Remove the front cover from the internal maintenance breaker IMB on both UPSs.

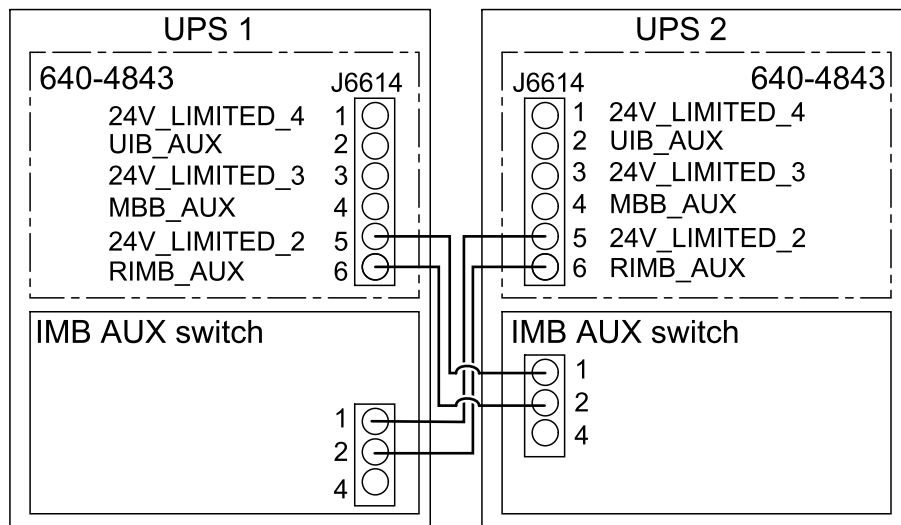
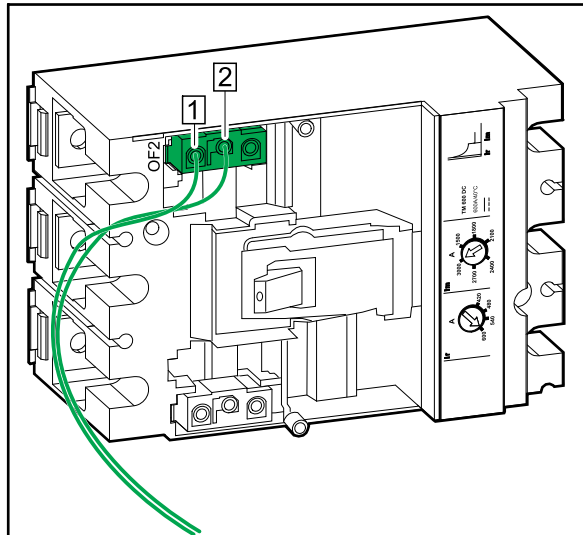
Front View of the UPS



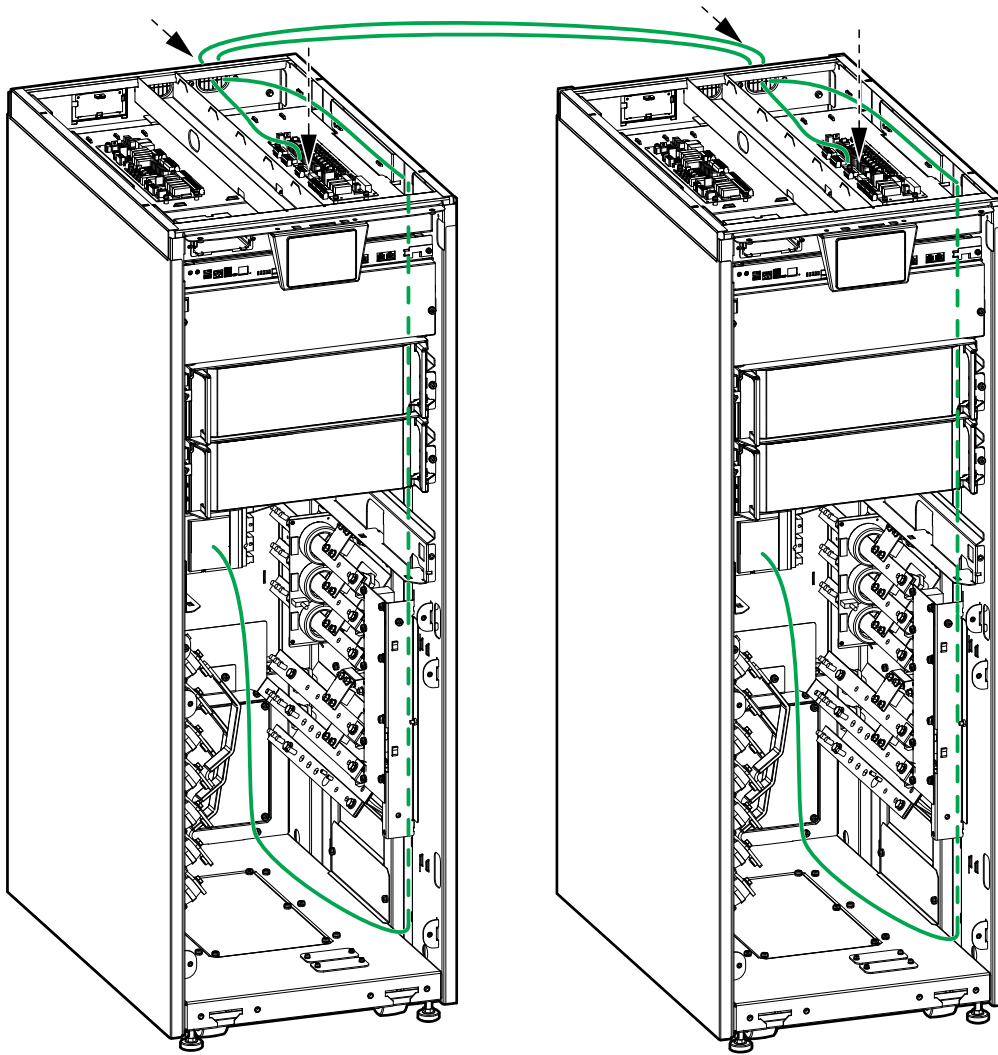
6. Install an additional AUX switch (provided) in the OF2 position in the internal maintenance breaker IMB on both UPSs.

7. Connect the non-Class 2/non-SELV signal cables between the two UPSs:
 - a. Connect the non-Class 2/non-SELV signal cables (not provided) from the AUX switch terminal 1 and 2 in the internal maintenance breaker IMB in UPS 1 to J6614-5 and J6614-6 on board 640-4843 in UPS 2 as shown.
 - b. Connect the non-Class 2/non-SELV signal cables (not provided) from the AUX switch terminal 1 and 2 in the internal maintenance breaker IMB in UPS 2 to J6614-5 and J6614-6 on board 640-4843 in UPS 1 as shown.

Front View of Internal Maintenance Breaker IMB

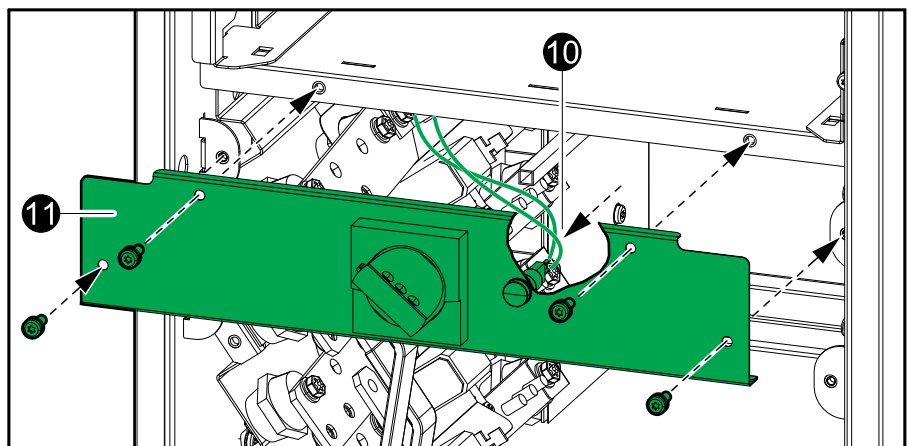


Front View of Simplified 1+1 Parallel System



8. Reinstall the front cover on the internal maintenance breaker IMB on both UPSs.
9. Reinstall the shelf on both UPSs.
10. Reconnect the signal cables from the internal maintenance breaker IMB to the indicator light on both UPSs.

Front View of the UPS

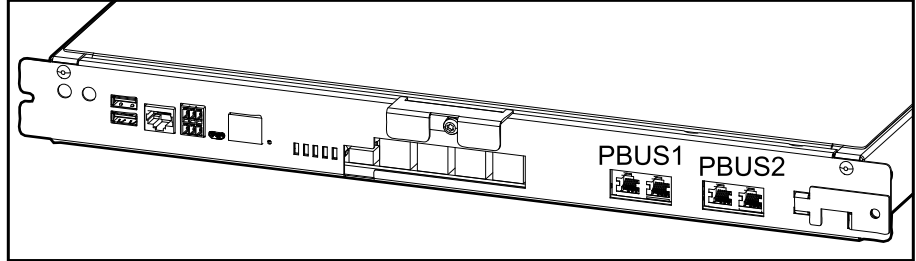


11. Reinstall the cover on both UPSs.
12. Reinstall the static switch module on both UPSs.

Connect the PBUS Cables

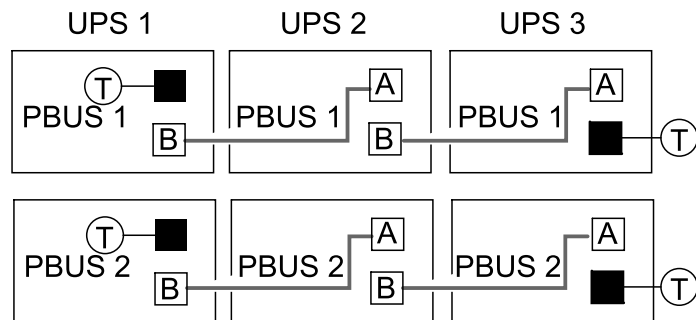
1. Connect the provided PBUS 1 (white) and PBUS 2 (red) cables to the PBUS ports in the UPS controller boxes. Route the PBUS cables through the cable channel in the UPSs.

Front View of Controller Box



2. Mount termination plugs (T) in the unused connectors.

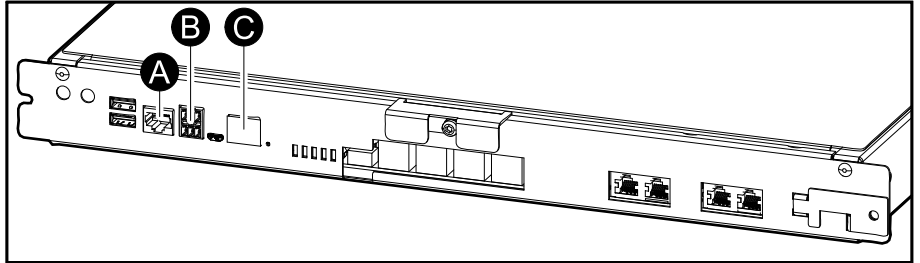
Example of System with Three UPSs in Parallel



Connect the External Communication Cables

1. Connect the external communication cables to the ports in the UPS controller box.

Front View of the Controller Box



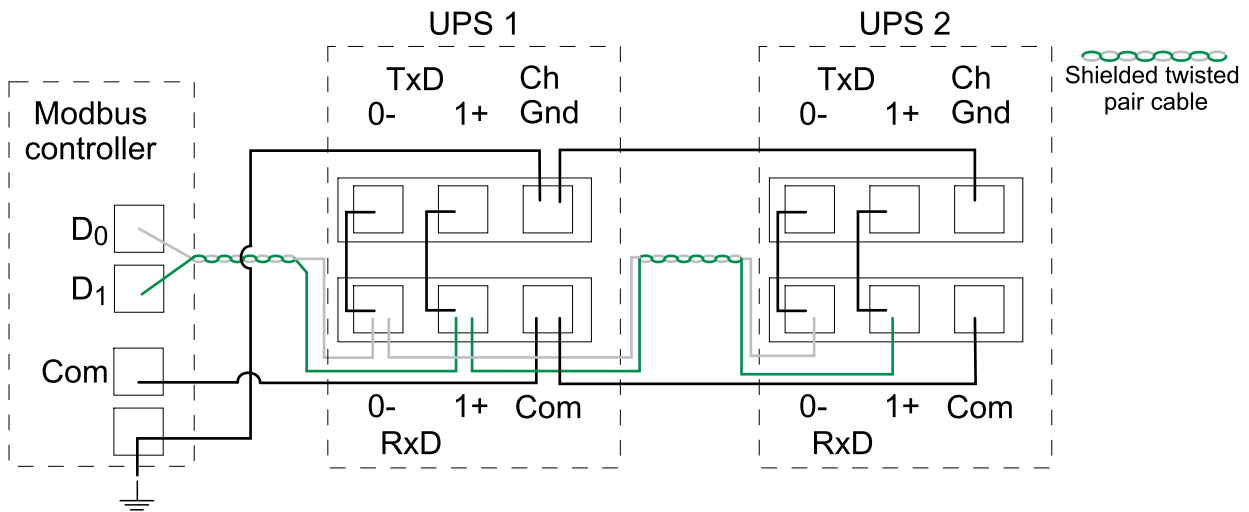
- A. Universal I/O port for built-in network management card.
- B. Modbus port for built-in network management card.
- C. Network port for built-in network management card. Use a shielded network cable.

NOTE: Check that you are connecting to the correct port to avoid network communication conflicts.

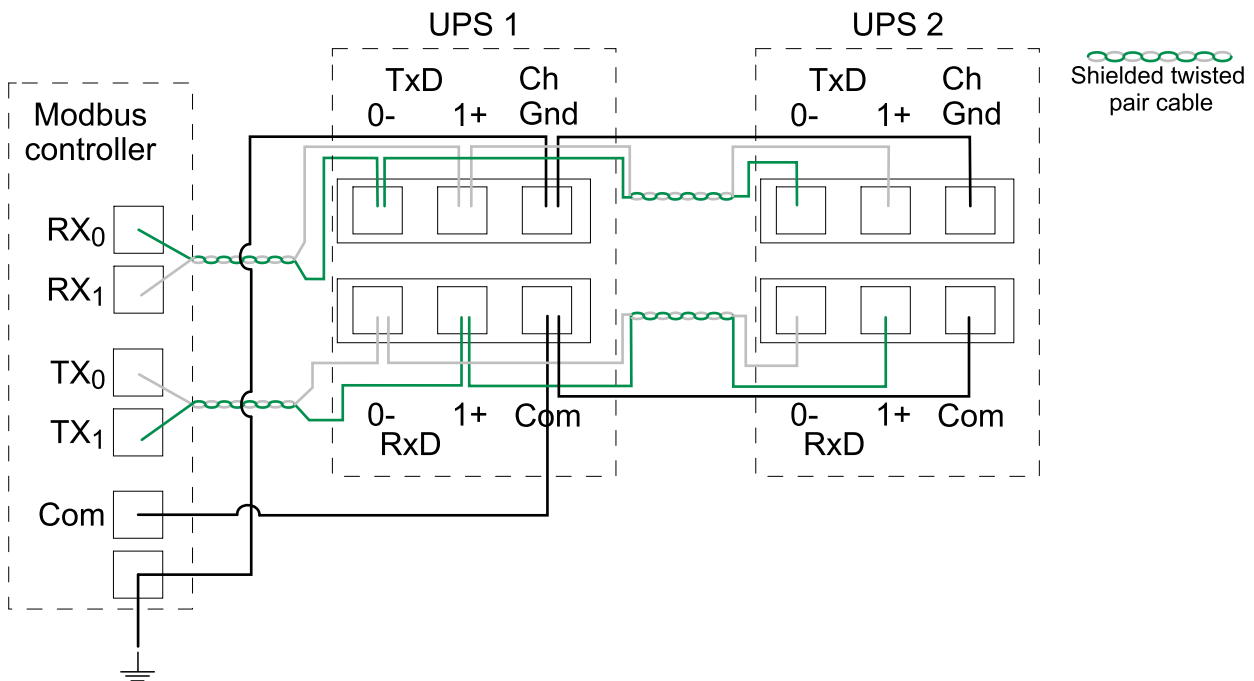
Connect the Modbus Cables

1. Connect the Modbus cables to the UPS(s). Use either 2-wire or 4-wire connection.
 - Shielded twisted pair cables must be used for Modbus connections. The shield connection to the ground must be as short as possible (ideally below 1 cm). The cable shield must be connected to the Ch Gnd pin on each device.
 - Wiring should be done in accordance with local wiring codes.
 - Route signal cables separately from power cables to ensure sufficient isolation.
 - The Modbus port is galvanically isolated with the Com pin as ground reference.

Example: 2-Wire Connection with Two UPSs



Example: 4-Wire Connection with Two UPSs



2. Install 150 Ohm termination resistors at each end of each bus if the buses are very long and operate at high data rates. Busses under 610 meters (2000 feet) at 9600 baud or under 305 meters (1000 feet) at 19.200 baud should not require termination resistors.

Add Translated Safety Labels to Your Product

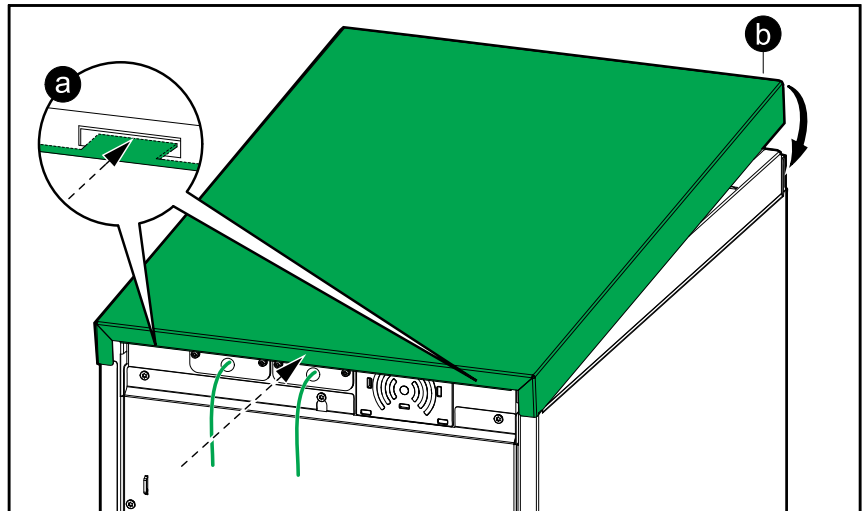
The safety labels on your product are in English and French. Sheets with translated safety labels are provided with your product.

1. Find the sheets with translated safety labels provided with your product.
2. Check which 885-XXX numbers are on the sheet with translated safety labels.
3. Locate the safety labels on your product that match the translated safety labels on the sheet – look for the 885-XXX numbers.
4. Add the replacement safety label in your preferred language to your product on top of the existing French safety label.

Final Installation

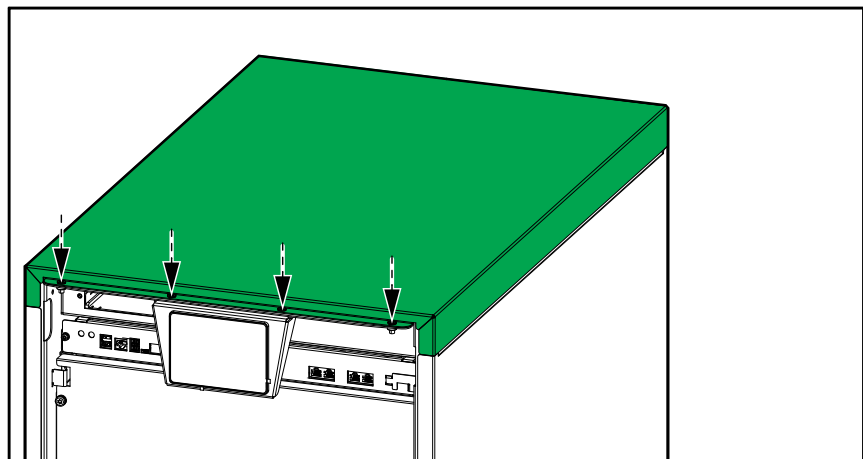
1. Reinstall the top cover:
 - a. Tilt the top cover and slide it onto the UPS from the rear. Tabs in the rear of the top cover must connect to the slots in the rear of the UPS.
 - b. Push the top cover down in the front.

Rear View of the UPS



- c. Reinstall the screws.

Front View of the UPS



2. Check the fastening of the cable lugs.

⚠ CAUTION

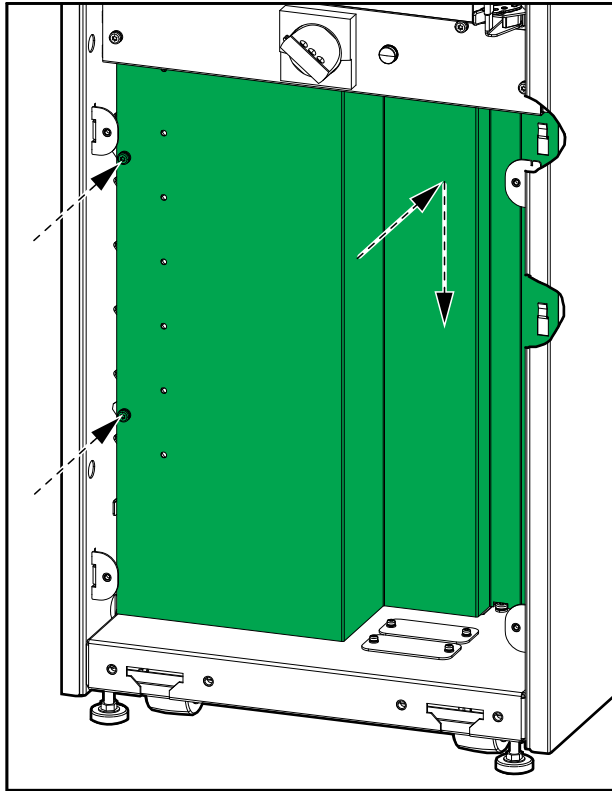
RISK OF EQUIPMENT DAMAGE

Check the fastening of the cable lugs. If the cable lugs move due to pulling on cables, the bolt can become loose.

Failure to follow these instructions can result in injury or equipment damage.

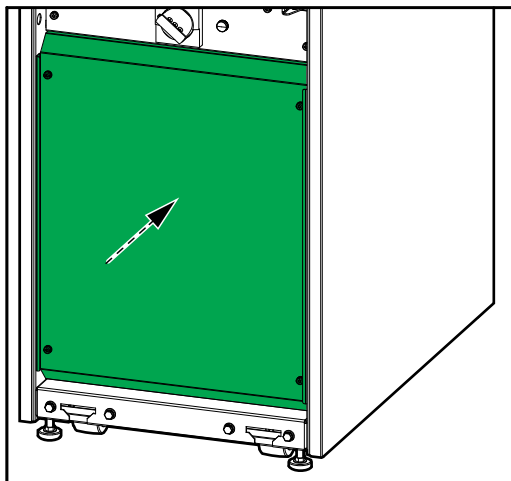
3. Reinstall the transparent cover.

Front View of the UPS



4. Reinstall the lower front plate.

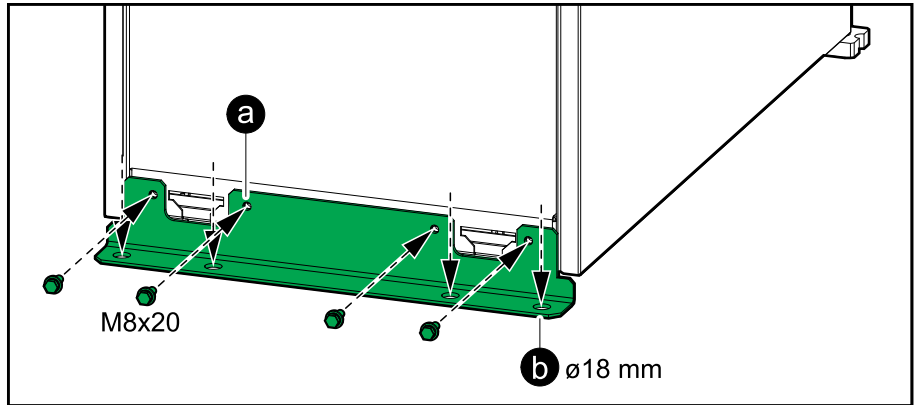
Front View of the UPS



5. Only for seismic anchoring:

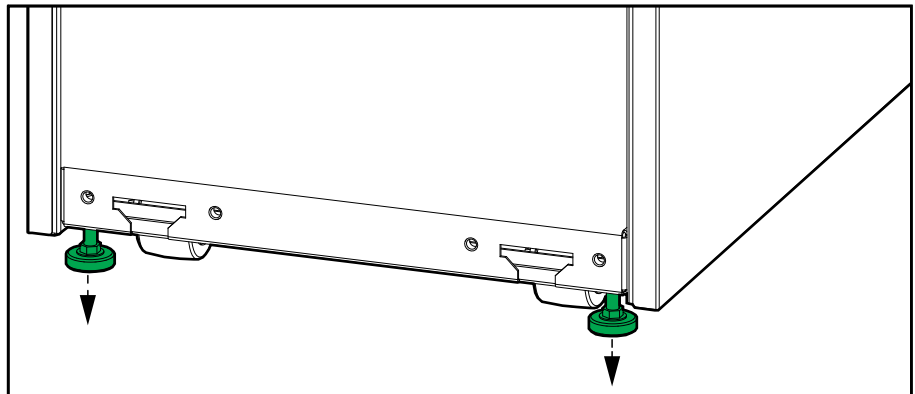
- a. Install the seismic front anchoring bracket on the UPS with the provided M8 bolts.
- b. Mount the seismic front anchoring bracket on the UPS to the floor. Use appropriate hardware for the floor type – the hole diameter in the front anchoring bracket is $\varnothing 18$ mm.

Front View of the UPS



- 6. Lower the front and rear leveling feet on the UPS with a wrench until they connect with the floor. Use a bubble-leveler to check that the UPS is level. This step is not necessary for a UPS with seismic anchoring.

Front View of the UPS



⚠ CAUTION

TIP HAZARD

Do not move the cabinet after the leveling feet have been lowered.

Failure to follow these instructions can result in injury or equipment damage.

- 7. **Only for UL 924 and CSA C22.2 NO. 141-15 solutions:** Fill out the label on the lower front plate with the UPS output rating in kW.

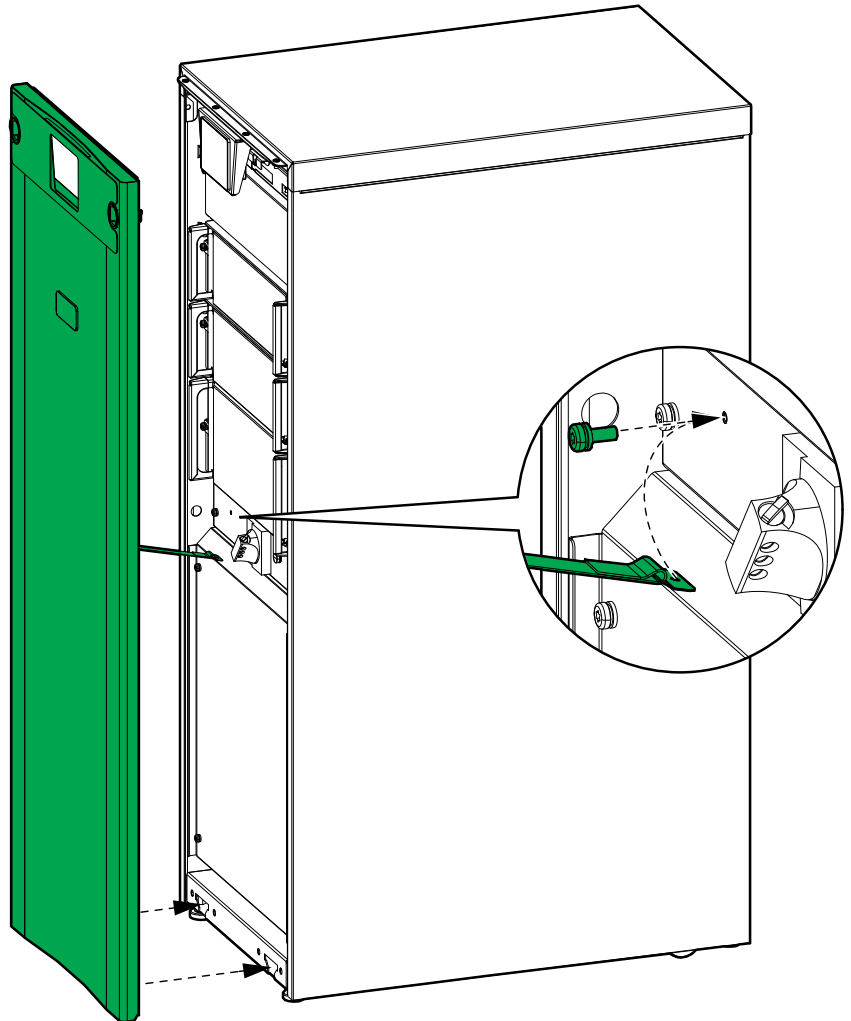
⚠ CAUTION

HAZARD OF EQUIPMENT DAMAGE

The total load must not exceed the output rating.
Total load _____ kW maximum.

Failure to follow these instructions can result in injury or equipment damage.

8. Reinstall the front panel on the UPS:
 - a. Insert the two tabs in the bottom of the front panel in the UPS at a tilted angle.
 - b. Reconnect the front panel strap to the UPS.
 - c. Close the front panel and lock with the two locking knobs.



Schneider Electric
35 rue Joseph Monier
92500 Rueil Malmaison
France

+ 33 (0) 1 41 29 70 00



As standards, specifications, and design change from time to time,
please ask for confirmation of the information given in this publication.

© 2018 – 2022 Schneider Electric. All rights reserved.

990-91111G-001