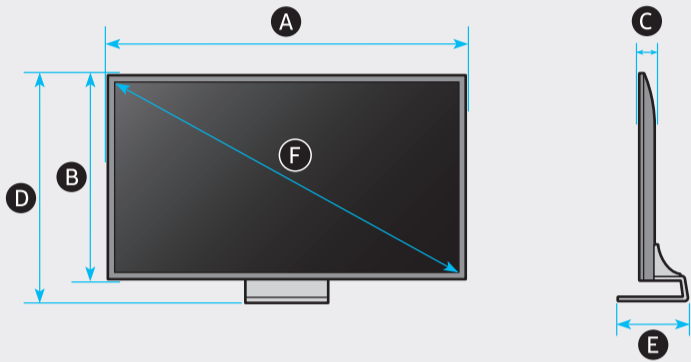
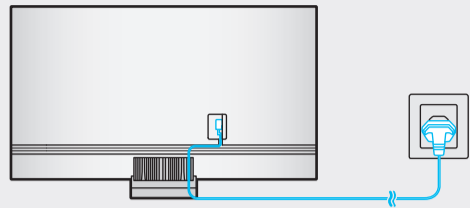
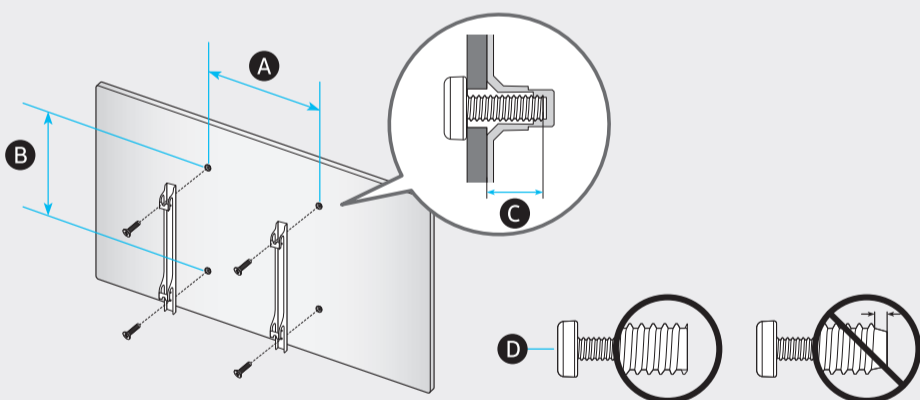
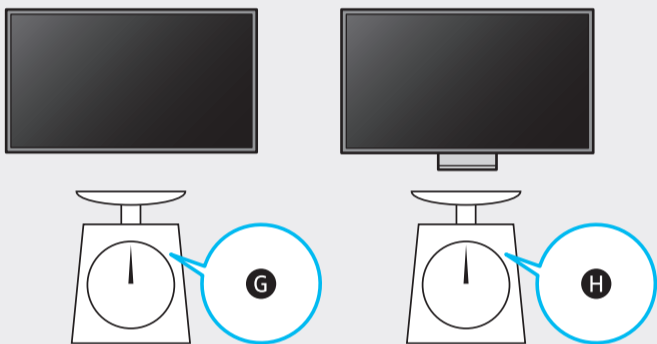


9



	A	B	C	D	E	F	G	H
QN75QN9*A	65.7 inches (1670.0 mm) (167.00 cm)	37.7 inches (958.2 mm) (95.82 cm)	1.1 inches (26.7 mm) (2.67 cm)	40.2 inches (1020.0 mm) (102.00 cm)	12.5 inches (317.5 mm) (31.75 cm)	74.5 inches (189 cm)	77.2 lbs (35.0 kg)	98.8 lbs (44.8 kg)

*: 0-9, A-Z



	VESA A x B (mm)	C (mm)	D x 4
QN75QN9*A	400 x 400	11-13	M8

*: 0-9, A-Z

SAMSUNG

QUICK SETUP GUIDE
 GUIDE D'INSTALLATION RAPIDE
 GUÍA RÁPIDA DE CONFIGURACIÓN
 GUIA RÁPIDO DE INSTALAÇÃO
 KURZANLEITUNG ZUR KONFIGURATION
 GUIDA DI INSTALLAZIONE RAPIDA

