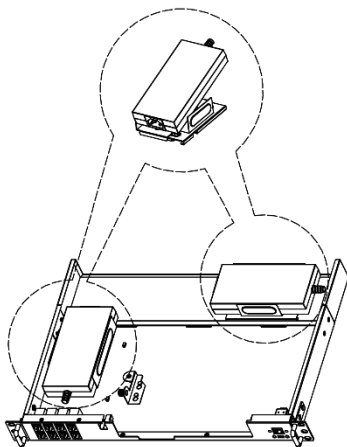


SonicWall® TZ670 / TZ570 Series Rack Mount Tray Assembly Installation Guide

January 2020

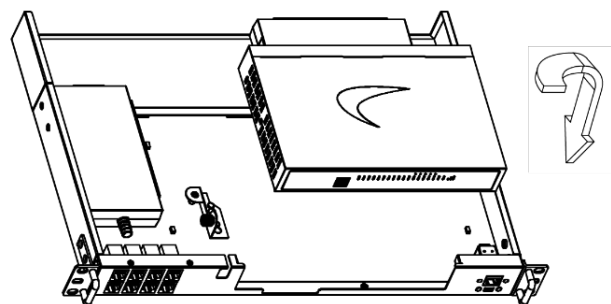
The TZ670 / TZ570 Series rack mount tray fits standard 19-inch racks that comply with the EIA-310 specification. The tray comes with an extension for mounting a redundant power adapter.

Step 1 – Mount Power Adapters on Tray



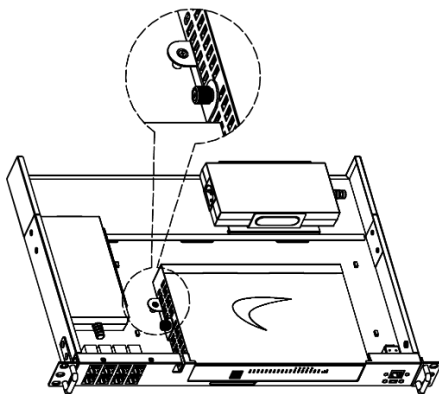
Step 2 – Position the Appliance on the Tray

1. Place the appliance into the tray.
2. Slide the unit to the left until it is flush against the screw mounting hardware and aligned with the tray opening.

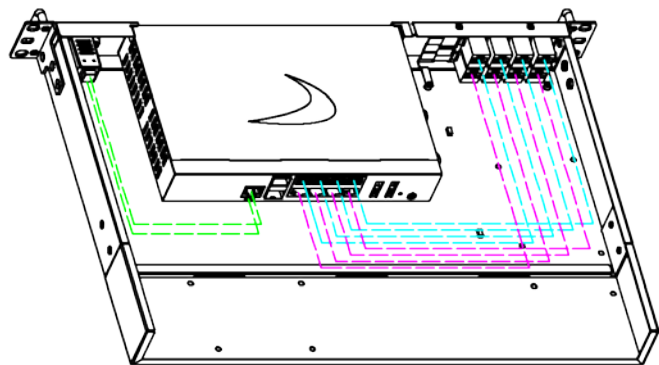


Step 3 – Fasten the Screws

1. Attach the unit to the bracket with the thumb screws and tighten the screws until firm.



Step 4 – Connect the Cables



Copyright © 2020 SonicWall Inc. All rights reserved.

This product is protected by U.S. and international copyright and intellectual property laws. SonicWall is a trademark or registered trademark of SonicWall Inc. and/or its affiliates in the U.S.A. and/or other countries. All other trademarks and registered trademarks are property of their respective owners.

The information in this document is provided in connection with SonicWall Inc. and/or its affiliates' products. No license, express or implied, by estoppel or otherwise, to any intellectual property right is granted by this document or in connection with the sale of SonicWall products. EXCEPT AS SET FORTH IN THE TERMS AND CONDITIONS AS SPECIFIED IN THE LICENSE AGREEMENT FOR THIS PRODUCT, SONICWALL AND/OR ITS AFFILIATES ASSUME NO LIABILITY WHATSOEVER AND DISCLAIMS ANY EXPRESS, IMPLIED OR STATUTORY WARRANTY RELATING TO ITS PRODUCTS INCLUDING, BUT NOT LIMITED TO, THE IMPLIED WARRANTY OF MERCHANTABILITY, FITNESS FOR A PARTICULAR PURPOSE, OR NON- INFRINGEMENT. IN NO EVENT SHALL SONICWALL AND/OR ITS AFFILIATES BE LIABLE FOR ANY DIRECT, INDIRECT, CONSEQUENTIAL, PUNITIVE, SPECIAL OR INCIDENTAL DAMAGES (INCLUDING, WITHOUT LIMITATION, DAMAGES FOR LOSS OF PROFITS, BUSINESS INTERRUPTION OR LOSS OF INFORMATION) ARISING OUT OF THE USE OR INABILITY TO USE THIS DOCUMENT, EVEN IF SONICWALL AND/OR ITS AFFILIATES HAVE BEEN ADVISED OF THE POSSIBILITY OF SUCH DAMAGES. SonicWall and/or its affiliates make no representations or warranties with respect to the accuracy or completeness of the contents of this document and reserve the right to make changes to specifications and product descriptions at any time without notice. SonicWall Inc. and/or its affiliates do not make any commitment to update the information contained in this document.

For more information, visit <https://www.sonicwall.com/legal>.

Legend



WARNING: A WARNING icon indicates a potential for property damage, personal injury, or death.



CAUTION: A CAUTION icon indicates potential damage to hardware or loss of data if instructions are not followed.



IMPORTANT, NOTE, TIP, MOBILE, or VIDEO: An information icon indicates supporting information.

Last updated: 1/23/2020

232-005211-50 Rev A

