



Operating Instructions

Gooseneck Microphone

Model No. WM-KG645



Before attempting to connect or operate this product, please read these instructions carefully and save this manual for future use. The model number is abbreviated in some descriptions in this manual.

Panasonic Corporation of North America

Two Riverfront Plaza, Newark, NJ 07102-5490
<https://na.panasonic.com/us/>

© Panasonic Connect Co., Ltd. 2022

PUQW1046YA
Fcg0722-0
Printed in China

Preface

This product is a microphone that is used connected with the WX-ST600P wireless transmitter (sold separately) in a 1.9 GHz digital wireless microphone system.

Standard accessories

Windscreen.....	1
Operating Instructions (this booklet).....	1
Warranty Card.....	1

Disclaimer of Warranty

IN NO EVENT SHALL Panasonic Connect Co., Ltd. BE LIABLE TO ANY PARTY OR ANY PERSON, EXCEPT FOR REPLACEMENT OR REASONABLE MAINTENANCE OF THE PRODUCT, FOR THE CASES, INCLUDING BUT NOT LIMITED TO BELOW:

- ① ANY LOSS OR DAMAGE, INCLUDING WITHOUT LIMITATION, DIRECT OR INDIRECT, SPECIAL, CONSEQUENTIAL OR EXEMPLARY, ARISING OUT OF OR RELATING TO THE PRODUCT;
- ② ANY INCONVENIENCE, LOSS, OR DAMAGE CAUSED BY INAPPROPRIATE USE OR NEGLIGENT OPERATION OF THE USER;
- ③ ALL MALFUNCTIONS OR TROUBLES FROM UNAUTHORIZED DISASSEMBLY, REPAIR OR MODIFICATION OF THE PRODUCT BY THE USER, REGARDLESS OF THE CAUSE OF THE MALFUNCTION OR TROUBLE;
- ④ ANY PROBLEM CAUSING FAILED SIGNAL TRANSMISSION RESULTING IN CONSEQUENTIAL INCONVENIENCE, LOSS OR DAMAGE, ARISING OUT OF CAUSES SUCH AS SYSTEM MALFUNCTION, FAULT, SET UP OR INSTALLATION.
- ⑤ ANY PROBLEM, CONSEQUENTIAL INCONVENIENCE, OR LOSS OR DAMAGE, ARISING OUT OF THE SYSTEM COMBINED BY THE DEVICES OF THIRD PARTY.
- ⑥ ANY INCONVENIENCE, LOSS, OR DAMAGE RESULTING FROM AN ACCIDENT CAUSED BY AN INADEQUATE INSTALLATION METHOD OR ANY FACTORS OTHER THAN A DEFECT IN THE PRODUCT ITSELF.

Precautions

If the product shows any abnormality, immediately stop using it

If the product shows abnormalities such as smoke or an unusual smell, continuing to use it may pose a fire hazard.

Do not attempt to disassemble or remodel the product

It may lead to fire or electric shock.

Do not spill any liquid

It may lead to fire or electric shock.

- Immediately turn the product OFF and contact the retailer.

Do not perform maintenance while the product is powered ON

It may lead to injury.

Refer to a professional for disposal

Burning the product may lead to harmful chemicals causing damage to the eyes, and it could pose a fire hazard or burn risk.

Do not install at places exposed to large amount of humidity and/or dust

It may lead to injury.

Do not install the product where children may reach it

It may lead to injury.

Usage precautions

This product is intended for indoor use only.

It cannot be used outdoors.

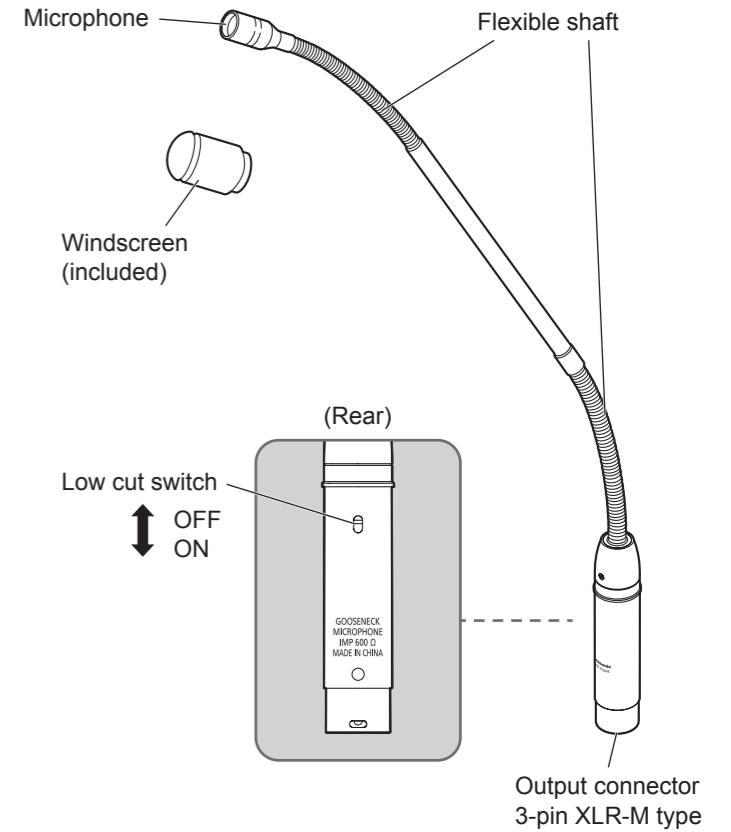
Avoid exposing the product to direct sunlight for extended periods of time, and do not install it near air conditioners or heaters. Failing to do so may lead to damage to the shape and color of the product, and may cause it to malfunction. Also avoid exposure to water droplets and bubbles.

- This product is designed specifically for use with the WX-ST600P wireless transmitter (sold separately). Do not use it with any other device.
- Do not leave the product in hot places such as near heat-diffusing appliances (power amplifiers, video monitors, measuring instruments, etc.) or closed-off cars in the summer. When storing the product, keep it away from moisture as much as possible.
- Subjecting the product to strong impacts, drops, etc. may alter its fine-tuning and change its characteristics. Please use it with care. Take care not to subject this product to an impact because doing so while sound is amplified will cause a large impact noise to be generated.
- This product does not have a drip-proof structure. Do not use it with wet hands or where water will get directly on it.
- Do not disassemble the product or touch its inner components.
- Do not use the product where there is a risk of damage from seawater or corrosive gases.
- Be sure to use this product with a windscreen attached. Moisture (saliva or condensation) entering the microphone head may cause sound to not be output.

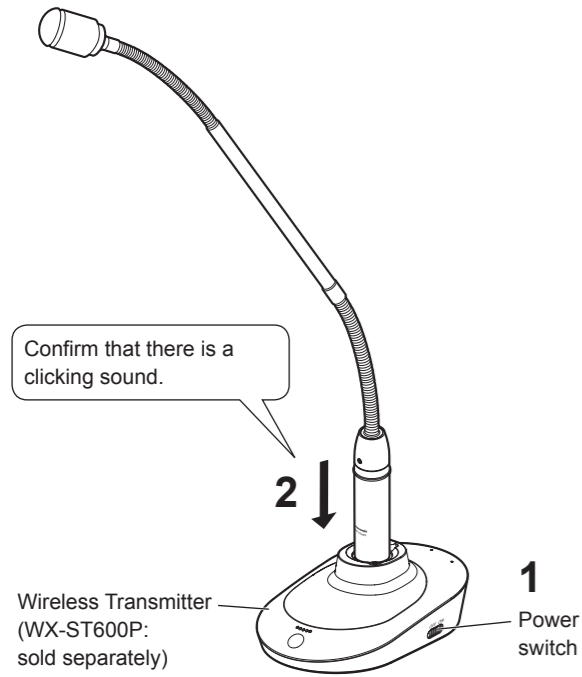
Maintenance

- Turn OFF the power of WX-ST600P and clean the product with a dry cloth.
- Do not use volatile chemicals such as benzine or paint thinner.
- When using chemically treated cloths, carefully read the included instructions.
- If the surface of the product is particularly dirty, dilute mild detergent with water, then soak a soft cloth with it. Squeeze the cloth to remove excess moisture and use it to clean the product. After having cleaned the product, use a soft dry cloth to remove any residues of the detergent.

Parts and their names



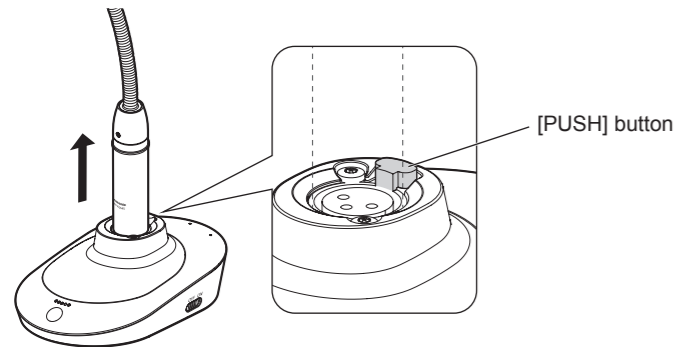
How to connect



- 1 Confirm that the power switch of the wireless transmitter is set to "OFF".
- 2 Insert this product into the wireless transmitter.

How to remove

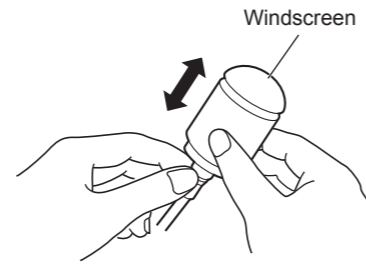
While pushing the [PUSH] button, pull the microphone out.



- Important**
- When moving with the product connected, hold by the wireless transmitter. If you lift by the product, there is a risk that the wireless transmitter may fall.

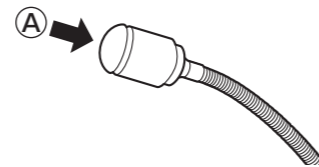
Replacing the windscreen (included)

Remove the windscreen by holding the microphone by its base and gently taking it out. When attaching, also insert it gently.



How to use

- You can reduce noises such as popping and wind noises by using the windscreen.
- Use the microphone at a distance of between about 5 cm and 15 cm from your mouth.
- Have the sound source (mouth) facing in the direction of the front surface (A).



Troubleshooting

Please check the common problems listed in this table before seeking professional help. If none of the tips provided here help, if you are dealing with a problem not listed here, or if you are otherwise uncertain, contact your retailer for more information.

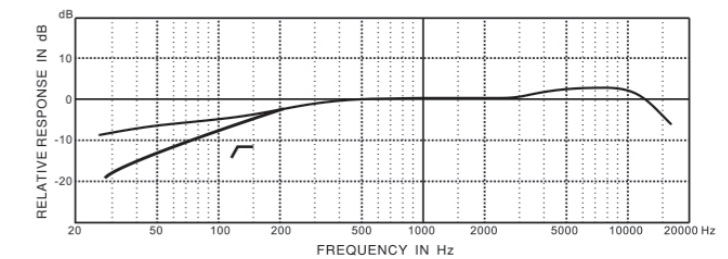
Phenomenon	Cause/measure
No sound is output	Connect this product to another wireless transmitter (WX-ST600P) and check whether the same phenomenon occurs. → If you do not have another wireless transmitter or the problem is not resolved, contact your retailer.

Specifications

Specifications

Microphone type	Unidirectional electret condenser microphone
Directional characteristic	Cardioid
Frequency response	40 Hz to 20 kHz
Sensitivity	-40 dB (10 mV) (0 dB=1 V/Pa, 1 kHz)
Output impedance	600 Ω ±30 %
Maximum input sound pressure level	127 dB SPL
Power	12 to 48 V DC Phantom Power, 4 mA
Microphone output connector	XLR 3 pin (male, XLR-3-12C equivalent) No. 1: GND No. 2: HOT No. 3: COLD
Operating temperature range	5 °C to 35 °C (41 °F to 95 °F)
Operating humidity range	10 % to 90 % (no condensation)
Dimensions	465 mm (L) × Ø19 mm (Connector) × Ø12.8 mm (Microphone) (18-5/16 inches x 3/4 inches x 1/2 inches)
Mass	160 g (0.35 lb)
Finish	Black finish

Frequency characteristics



Directional characteristics

