

ET4X

Expansion Back Installation Guide



MN-004506-01EN — May 10, 2022

Zebra Technologies | 3 Overlook Point |
Lincolnshire, IL 60069 USA
zebra.com

ZEBRA and the stylized Zebra head are trademarks of Zebra Technologies Corp., registered in many jurisdictions worldwide. All other trademarks are the property of their respective owners. © 2022 Zebra Technologies Corp. and/or its affiliates. All rights reserved.



Installation

1



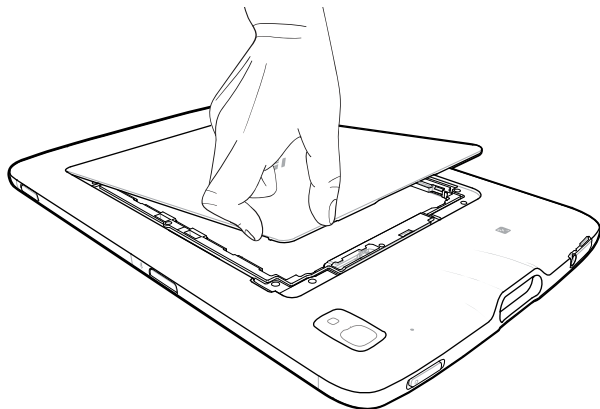
CAUTION: Power off the ET4X before installing or removing Expansion Back.

2



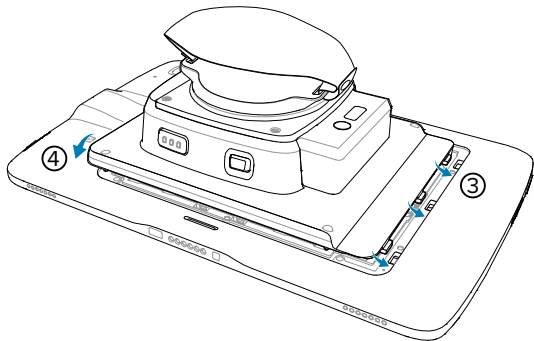
CAUTION: Do not use any tool for battery cover removal. Puncturing the battery or seal may cause a hazardous condition and a potential risk of injury.

Remove battery cover and store in safe place.



3

Insert the tabbed end of the expansion back into the battery well. Ensure that the tabs on the expansion back are aligned with the slots in the battery well.



4

Rotate the expansion back down into the battery well.

5

Using a T5 Torx screwdriver, secure expansion back to device using four M2 screws. Torque to 0.43N-m.

