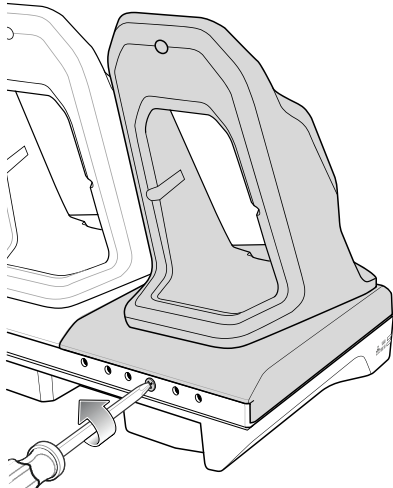


TC7X Ethernet Cup Conversion Installation Instructions

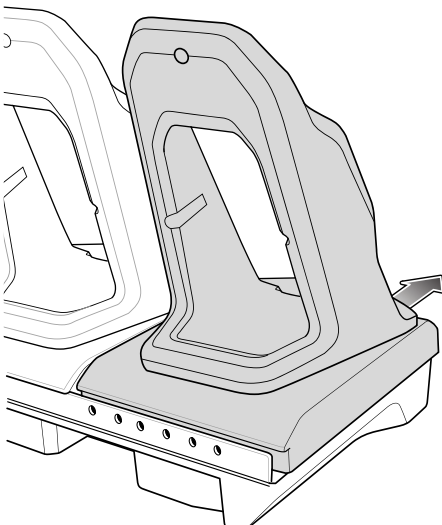


NOTE: This rework activity must be performed by the qualified technician or engineer in an ESD safe workstation. The technician or engineer must wear a grounded ESD strap.

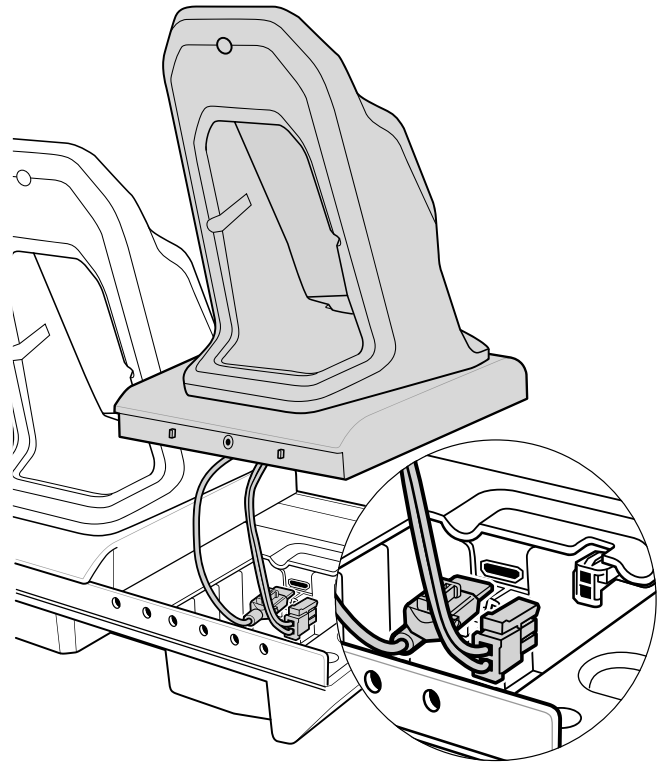
1. Remove the AC power from the cradle.
2. Remove the screw securing the ethernet cup to the cradle using a Phillips screwdriver.



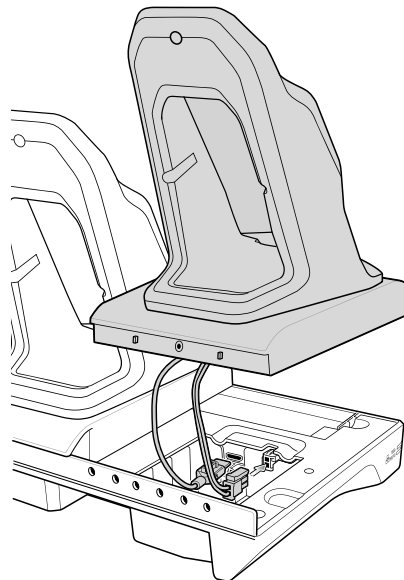
3. Slide the ethernet cup forward and lift.



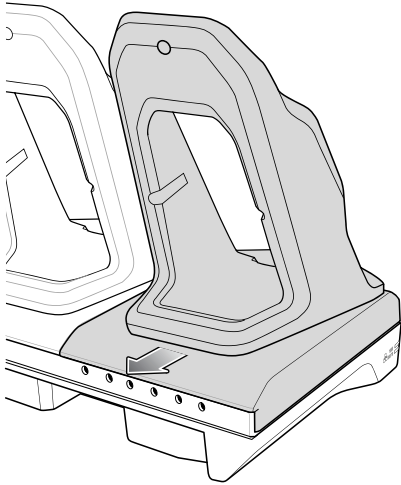
4. Disconnect the ethernet cup cables from the connectors.



5. Connect the new ethernet cup cables to the connectors.



-
6. Align the new ethernet cup with the cradle and slide the ethernet cup back.



7. Using a Phillips screwdriver, secure the new ethernet cup to cradle with screw.

