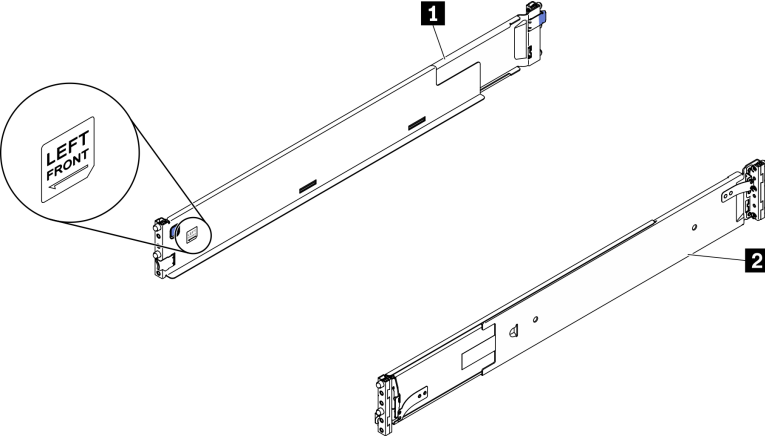


Rack Installation Guide

Rail kit item list

This rail kit is for tower servers and 2U, four node enclosures. Each rail kit includes the following parts:

- 1** One left rail
- 2** One right rail



Note: See the text on the front end of the rail to identify if it is the left or right rail.

Install the rails to the rack

Note: For tower server installation, apply the latch and rail covers to the rails before rack installation. For cover installation and other tower to rack conversion kit instructions, refer to the *Setup Guide* for your tower server.

Step 1. Grab the rear end of one rail and compress it to the minimal length.

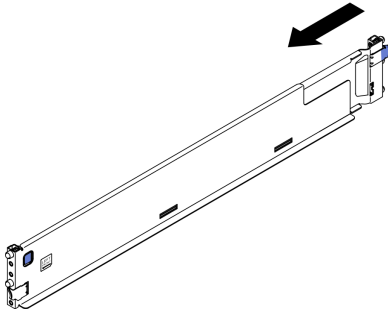


Figure 1. Compressing rail

Step 2. Align the posts, that are extending from the rear end of the rail, to the holes in the rear EIA flanges; then, push the rail until the latch clicks into place around the edge of the EIA flange.

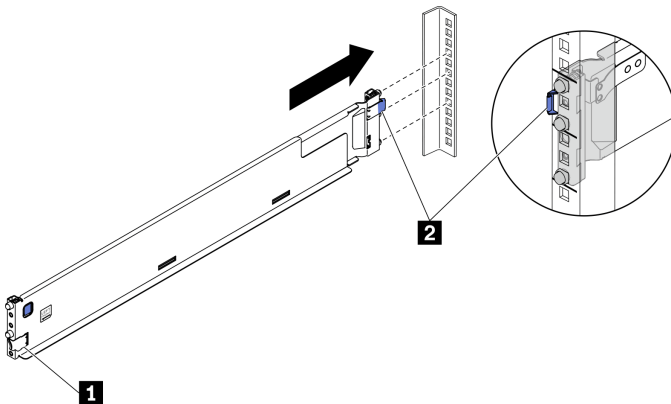


Figure 2. Installing rear end of rail

1 Front latch	2 Rear latch
----------------------	---------------------

Step 3. Install the front end of the rail.

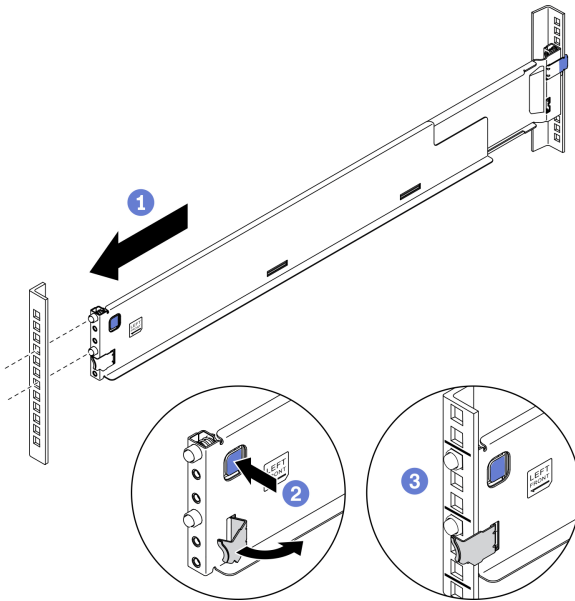


Figure 3. Installing front end of rail

- a. 1 Pull the rail towards the front.
- b. 2 Press and hold the blue button to open the front latch.
- c. 3 Align the pins on the front end of the rail to the holes in the front EIA flange and pull the rail forward; then, release the blue button so the latch catches over the EIA flange.

Note: To make sure the rails are secured to square hole racks, examine the pins to see if the collars are fully in the mounting flange holes. If not, gently shake the rails until all the collars are visible in the mounting flange holes. Examine both ends to make sure the rails are secured.

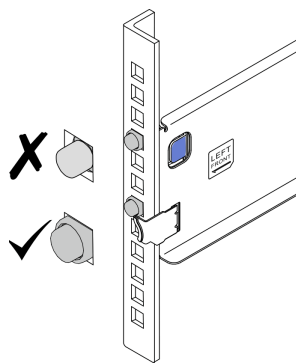


Figure 4. Pins in square mounting flange holes

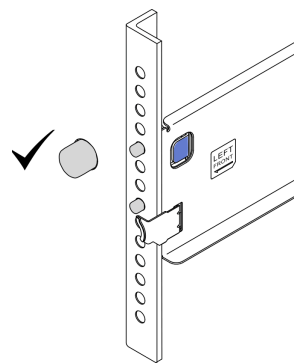


Figure 5. Pins in round mounting flange holes

Step 4. Repeat the previous three steps on the other rail.

Install the server into the rails

Step 1. For 2U, four node enclosure; reduce the weight by removing all the nodes, power supply units, fans, and SMM from the enclosure.

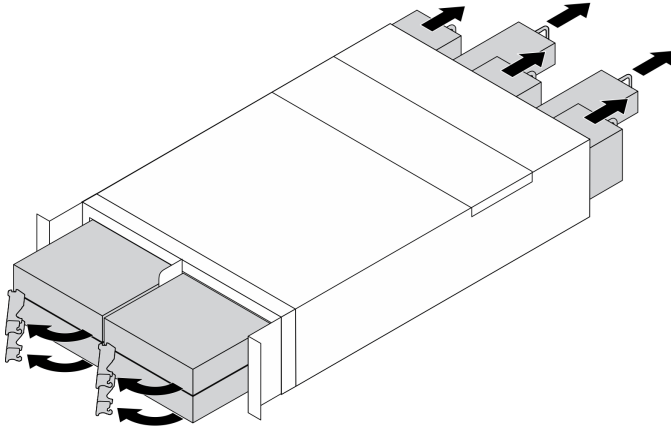


Figure 6. Removing components to reduce enclosure weight

Step 2. Align and place the enclosure or chassis onto the rails; then, slide it into the rack along the rails.

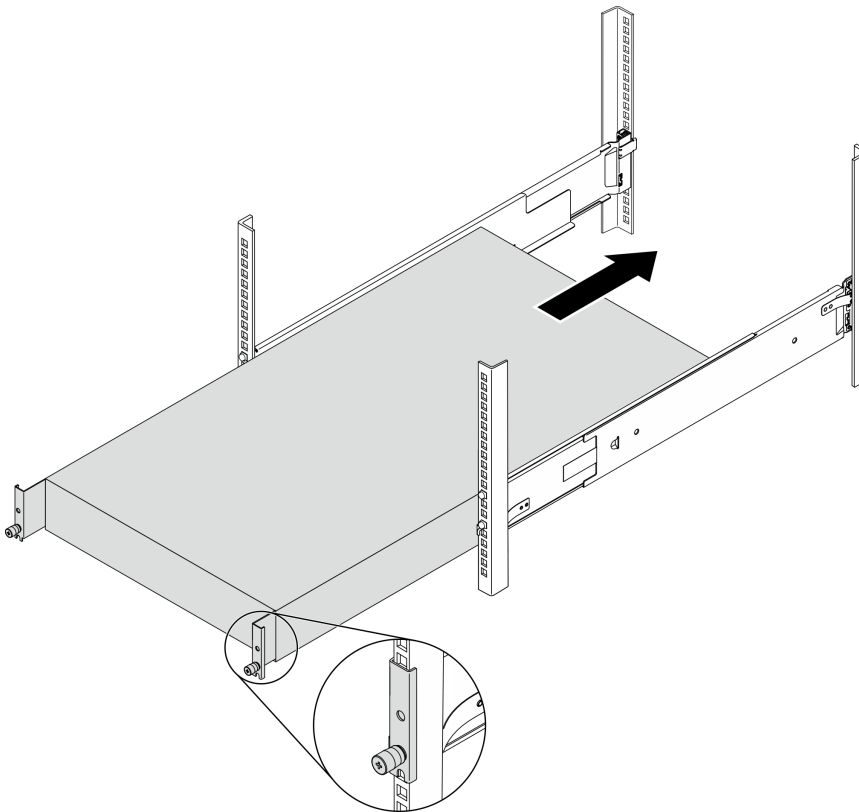


Figure 7. Installing 2U, four node enclosure into rails

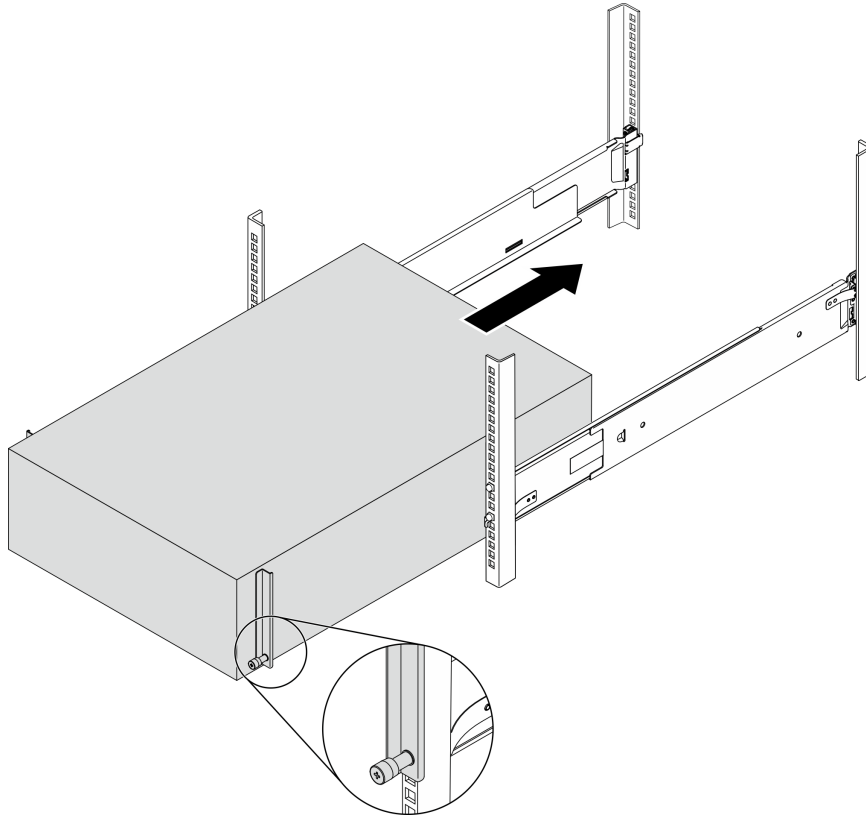


Figure 8. Installing tower server into rails



CAUTION:

For tower server installation, use safe practices when lifting.

- Step 3. Secure the captive screws.
- Step 4. Reinstall all the server components that you removed.

Remove the server from the rails

- Step 1. For 2U, four node enclosure; reduce the weight by removing all the nodes, power supply units, fans, and SMM from the enclosure.
- Step 2. Loosen the captive screws.
- Step 3. Slightly pull the enclosure or chassis out of the rack; then, carefully remove it from the rails gripping the server at sides and adjusting hands as needed.



CAUTION:
Drop hazard.



CAUTION:
For tower server installation, use safe practices when lifting.

- Step 4. Reinstall all the server components that you removed.

Remove the rails from the rack

- Step 1. Press and hold the blue button on the front end of the rail to release the front latch gripping the rack flange; then, slightly push the rail towards the rear until the pins disengage from the holes in the EIA flange.

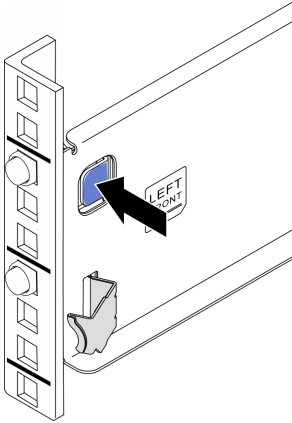


Figure 9. Releasing rail from front mounting flange

- Step 2. Hold the rail with one hand and pull the rear latch with your other hand to release the rail from the rear mounting flange; then, remove the rail from the rack.

Note: Move to the back of the rack cabinet for easier access to the rear latch.

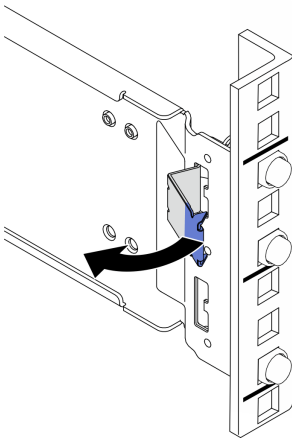


Figure 10. Releasing rail from rear mounting flange

- Step 3. Repeat the previous two steps on the other rail to remove it.

First Edition (May 2021)

© Copyright Lenovo 2021.

LIMITED AND RESTRICTED RIGHTS NOTICE: If data or software is delivered pursuant to a General Services Administration (GSA) contract, use, reproduction, or disclosure is subject to restrictions set forth in Contract No. GS-35F-05925.

Product and service names appearing herein are trademarks or service marks of their respective owners.

Printed in China

(1P) P/N: SP47A62527

