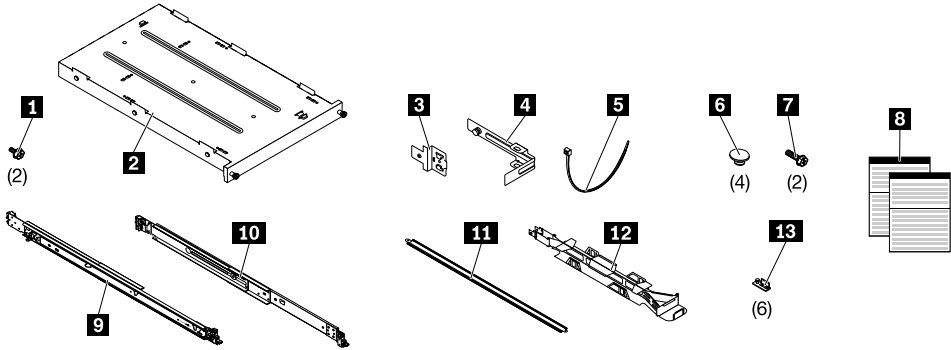


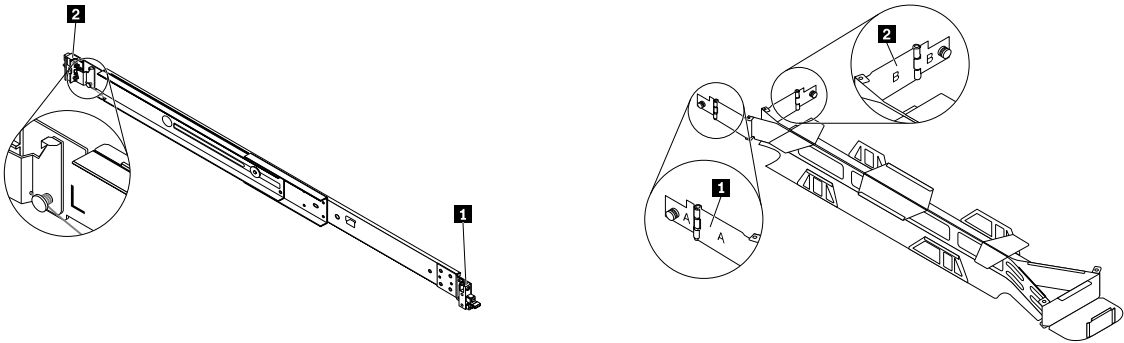


# ThinkSystem 4U Tower-to-rack Conversion Kit Installation Instructions



This conversion kit comes with the following parts:

<b>1</b> Two #10-32 x 10 screws	<b>8</b> This publication
<b>2</b> One rack server tray	<b>9</b> One right slide rail
<b>3</b> One CMA mounting bracket	<b>10</b> One left slide rail
<b>4</b> One CMA stop bracket	<b>11</b> One CMA support bar
<b>5</b> One cable tie	<b>12</b> One cable management arm (CMA)
<b>6</b> Four rubber safety pads	<b>13</b> Six server brackets
<b>7</b> Two M6 x 16 screws	



Following are the components of the slide rail:

<b>1</b> Rear end of the slide rail
<b>2</b> Front end of the slide rail <sup>1</sup>

Following are the components of the CMA:

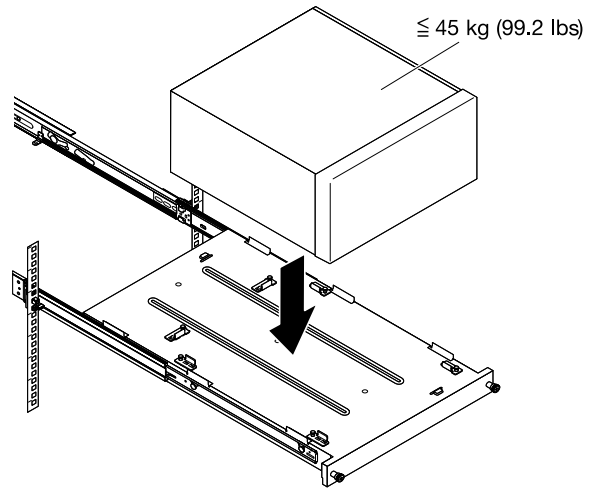
<b>1</b> Arm marked with A
<b>2</b> Arm marked with B

1. The rails are marked L (left) or R (right), which refers to the direction from the front of the rack cabinet.



**Attention:**

1. The maximum allowable weight on this slide rail is 45 kg (99.2 lbs).
2. Before installing a server into the rack cabinet, disconnect all power cords from electrical outlets and disconnect all cables that are connected to the server.
3. Connect all power cords to proper electrical outlets, and refer to the documentation that comes with the rack cabinet for cabling information to properly manage all the cables in the rack cabinet.



## Installing the tower-to-rack conversion kit

**1** Select the proper rack mounting holes on the rear of the rack for one of the slide rails, and align the rear pins of the rail to the three corresponding holes in the selected U in the rear of the rack.

**2** Push the rail in the direction as shown until the pins go into the holes and drop the slide rail down until it latches into place.

**3** Pull up and hold the release latch on the front end of the slide rail; then, pull the slide rail lock out.

**4** From the front of the rack, pull the slide rail forward and slide and push the two lower pins on the front of the slide rail into the lower holes in the U on the front of the rack.

**5** Push the front latch in all the way with one hand while you pull on the rail assembly with your other hand. Ensure that the front of the slide rail is in contact with the backside of the mounting flange.

**6** Repeat **1** to **6** on the other slide rail.

**7** Extend both inner rails until they click into place.

**8** Align the nubs on the server rack tray with the holes on the rails as illustrated, and lower the tray until it sits firmly between the two rails and the front nubs click in place.

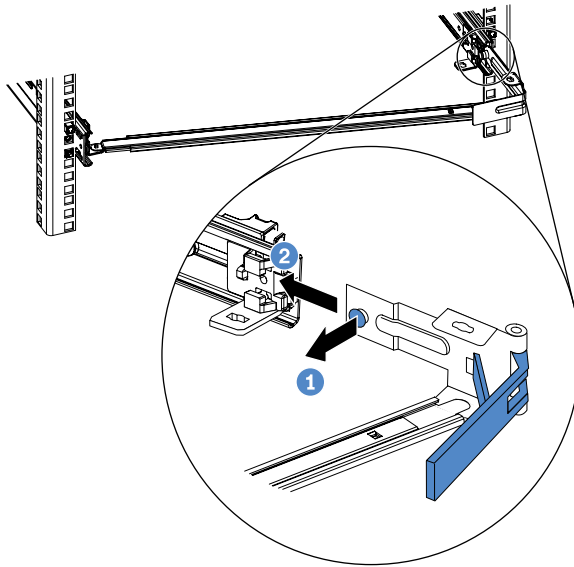
**Rack rear**

**9** For installation of the CMA on the right slide rail, insert the pin of the CMA support bar to the rear end of the slide rail ensuring shiny bar is on top.

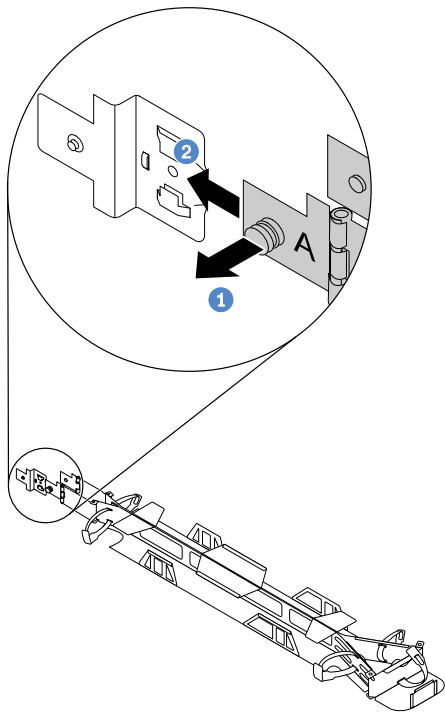
**10** Rotate the other end of the CMA support towards the other slide rail.

**11** Insert the pin on the unattached end of the CMA support bar down into the slot in the CMA stop bracket.

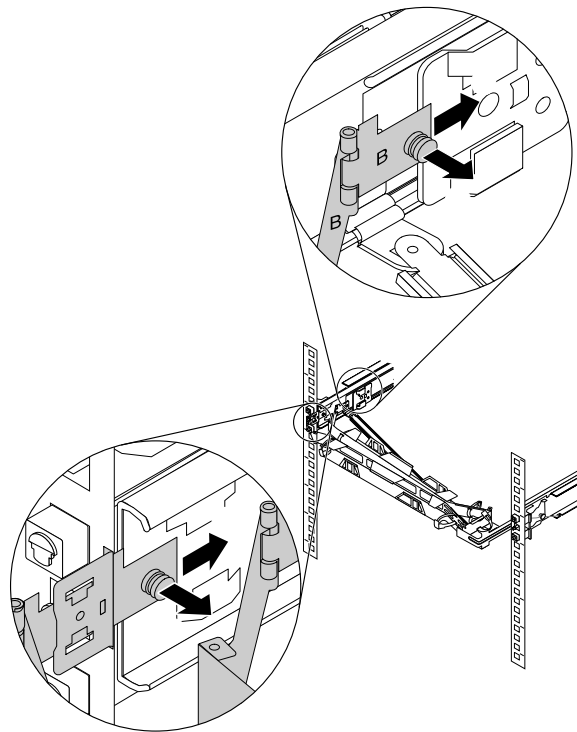
**12** Rotate the CMA stop bracket clockwise to secure it to the support bar.



**13** Pull out the pin on the stop bracket; then, slide and push the stop bracket into the slide rail until it snap into place.



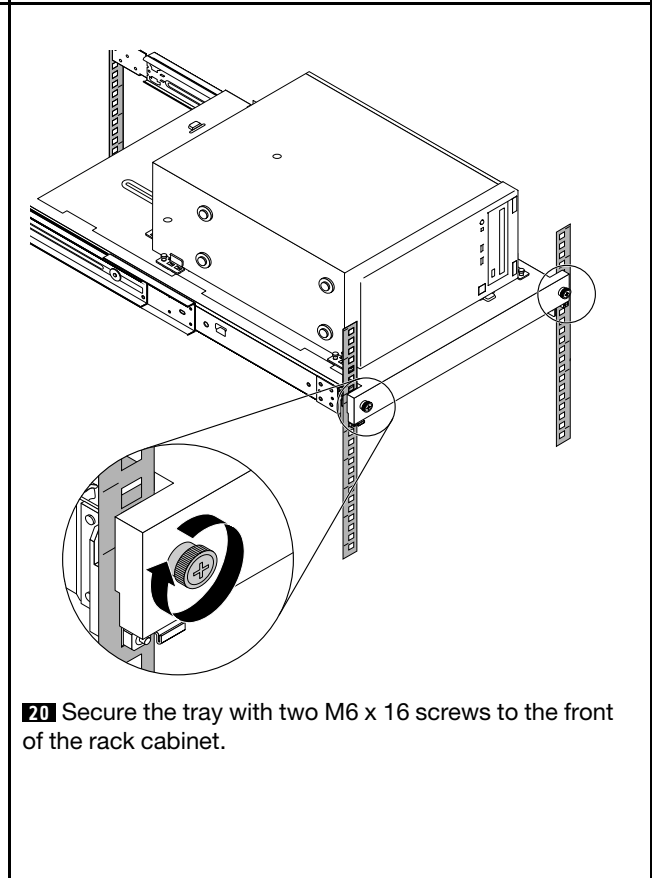
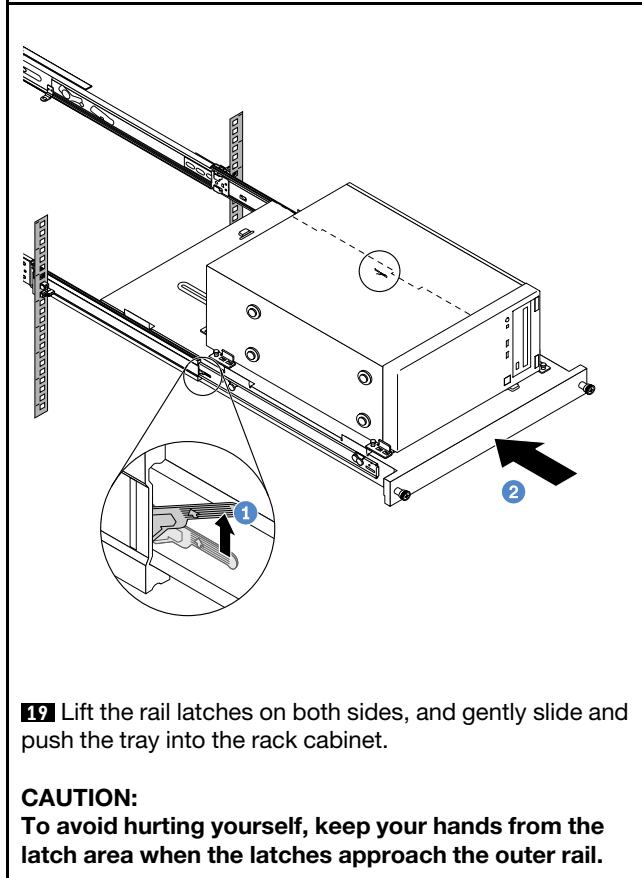
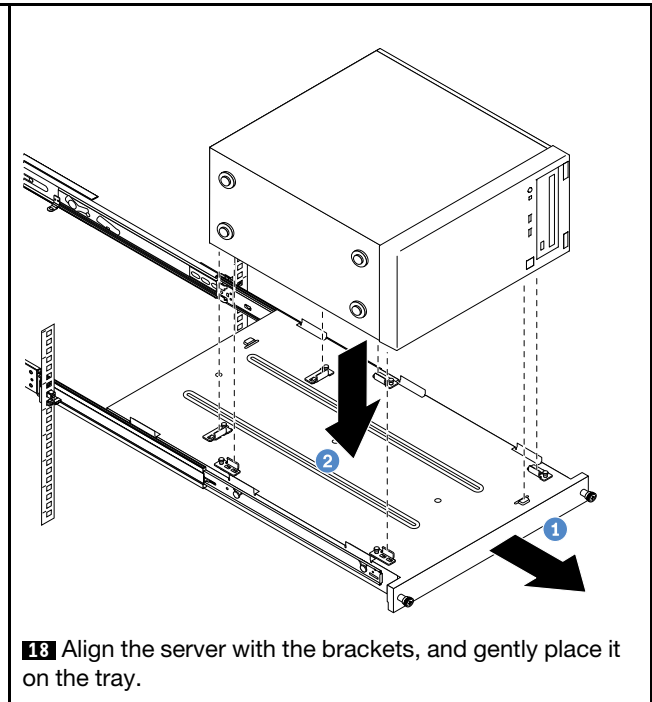
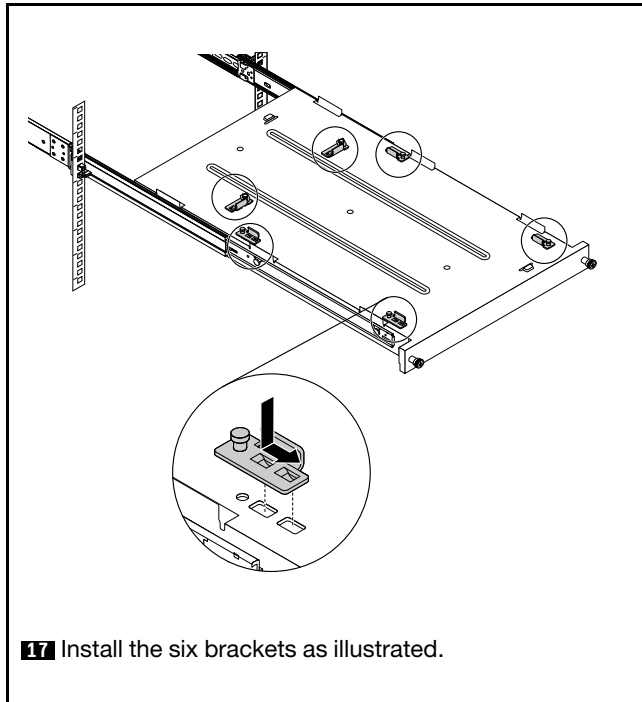
**14** Pull out the pin on the side of the CMA marked "A;" then, slide and push the arm into the mounting bracket.



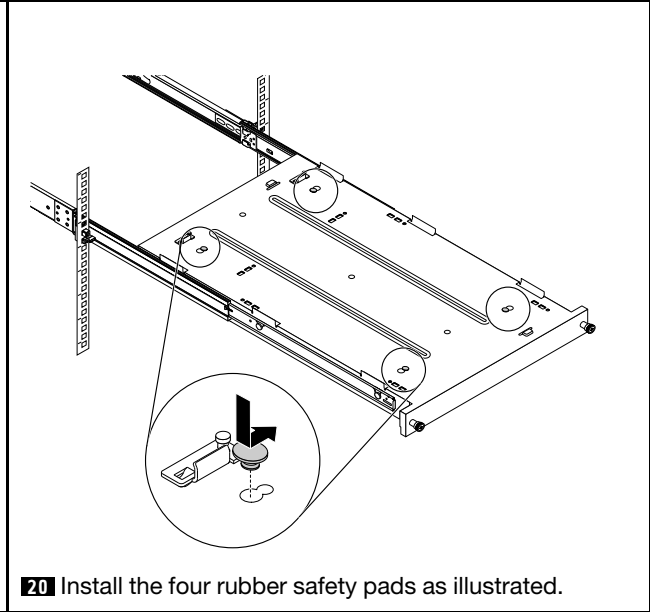
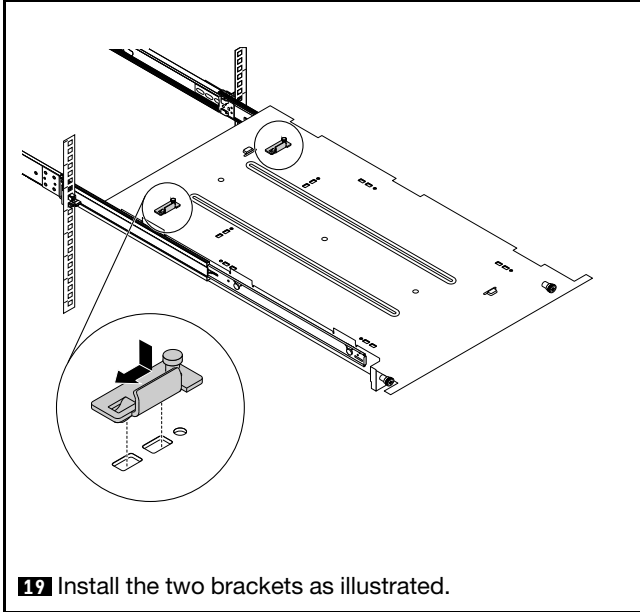
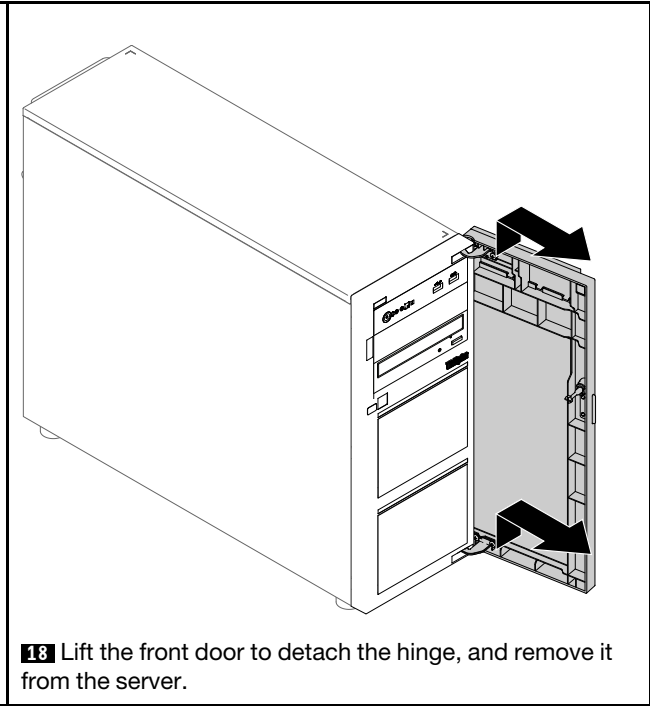
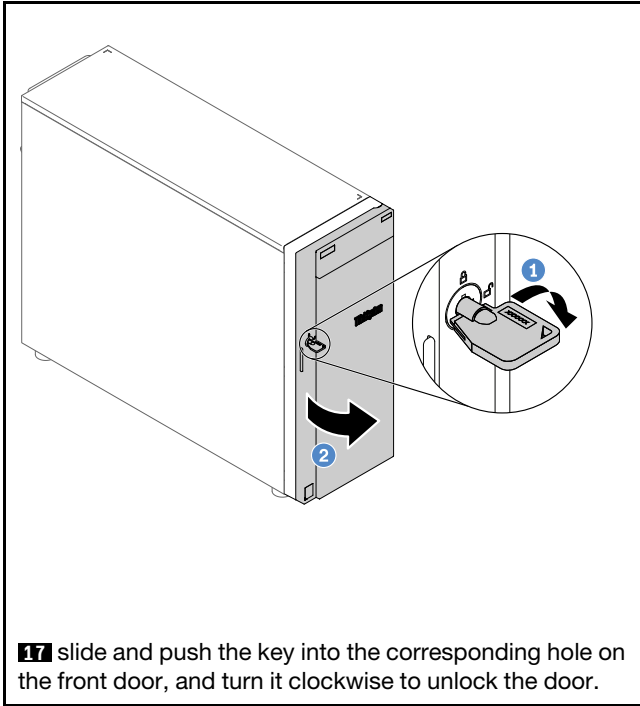
**15** Place the CMA on the support bar. Pull out the pin on the side of the arm marked "B;" then, slide and push the arm into the right slide rail until it snaps into place.

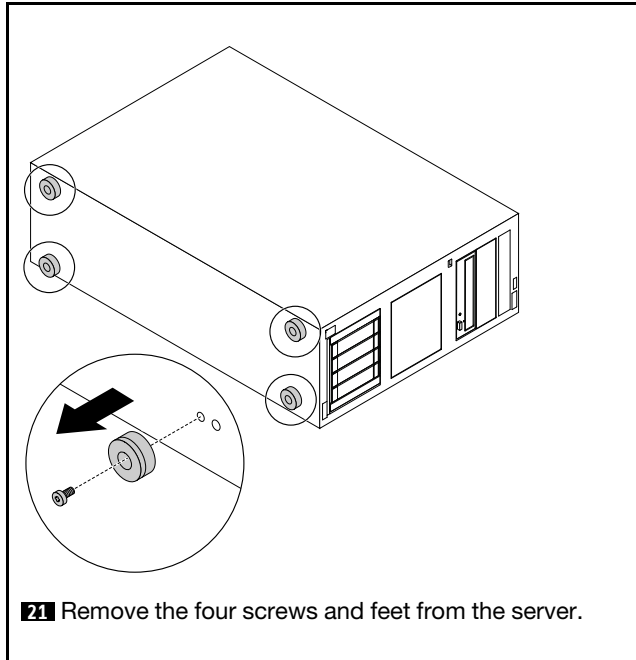
**16** Pull out the pin on the mounting bracket connected to the "A" side of the arm; then, push the bracket into the slide rail until it snaps into place.

## Installing ST50 into the rack

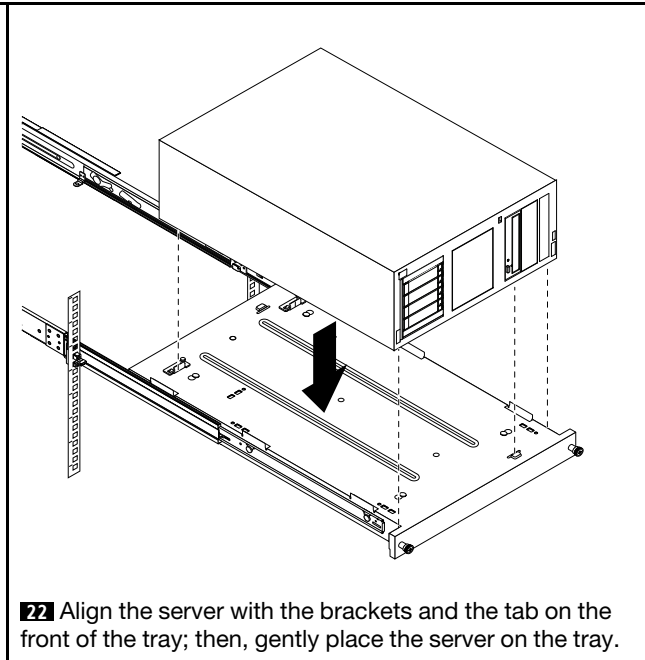


## Installing ST250 into the rack

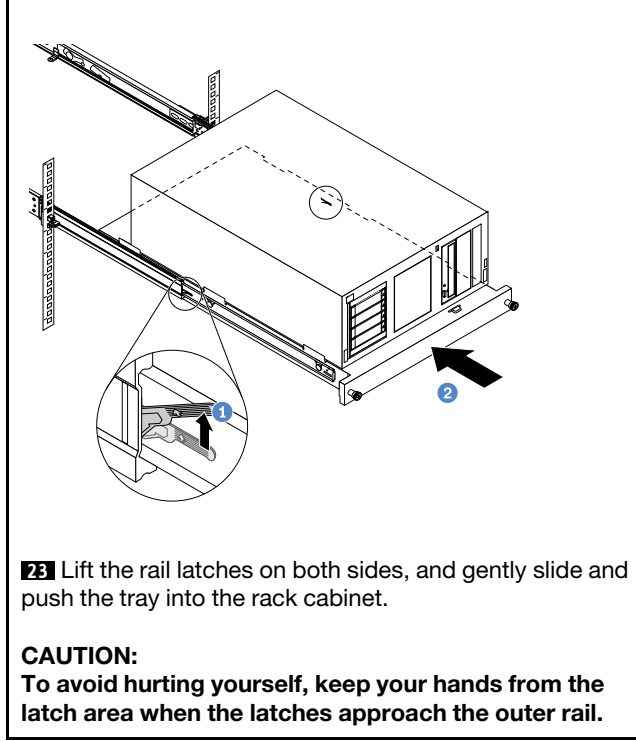




**21** Remove the four screws and feet from the server.

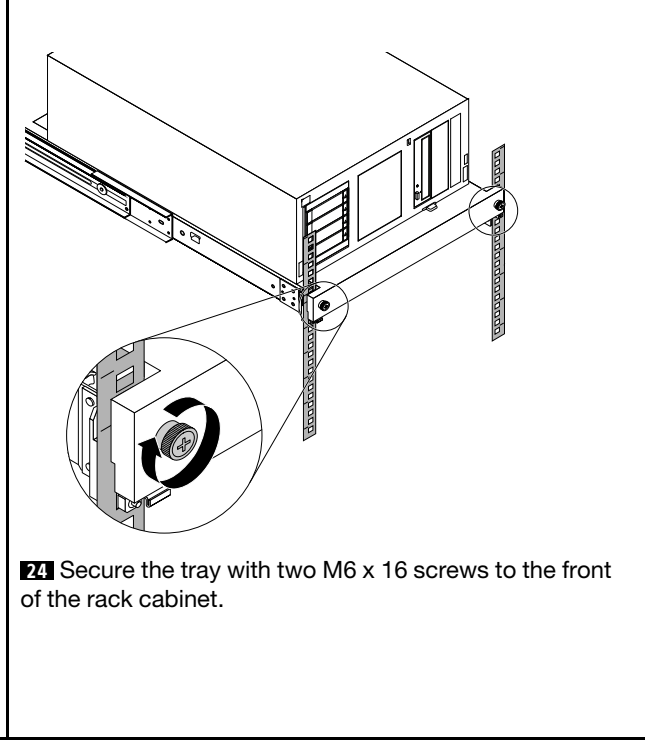


**22** Align the server with the brackets and the tab on the front of the tray; then, gently place the server on the tray.



**23** Lift the rail latches on both sides, and gently slide and push the tray into the rack cabinet.

**CAUTION:**  
To avoid hurting yourself, keep your hands from the latch area when the latches approach the outer rail.



**24** Secure the tray with two M6 x 16 screws to the front of the rack cabinet.

For the list of rails applicable, go to: <https://en.resources.lenovo.com/brochures/thinksystem-rail-support-matrix>

For more information, refer to the online documentation: <http://thinksystem.lenovofiles.com/help/index.jsp>



---

**First Edition (October 2018)**

**© Copyright Lenovo 2018.**

**LENOVO and THINKSYSTEM are trademarks of Lenovo. All other trademarks are the property of their respective owners.**

LIMITED AND RESTRICTED RIGHTS NOTICE: If data or software is delivered pursuant to a General Services Administration (GSA) contract, use, reproduction, or disclosure is subject to restrictions set forth in Contract No. GS-35F-05925.

Printed in China

(1P) P/N: SP47A37823

