



RE420 RE520

PREMIUM CONDENSER VOCAL MICROPHONES

REFINED DESIGN. PURE PERFORMANCE.

- Two models available for high-end live sound applications: RE420 (cardioid) and RE520 (supercardioid)
- Specifically designed to deliver best-in-class sound quality at a best-in-class price point
- Replacements for the RE410 and RE510
- **Exceptional performance/price point at \$XXX USD (RE420) & \$XXX USD (RE520)**



Electro-Voice

- Premium condenser elements provide warm and clear low end, natural and present midrange, and an open, crisp and detailed high end – studio sound quality, onstage
- Multi-stage pop filters minimize breath blasts and plosives
- Selectable high-pass filters reduce undesirable low-frequency content when engaged
- Vibration-absorbing internal shock mounts minimize handling noise
- Sleek new form factors with elegantly tapered metal handles, high-quality metal brand badges, and dent-resistant “Memralflex” grilles

Key features

RE420



RE520



Element type

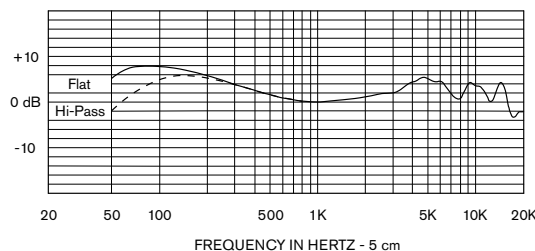
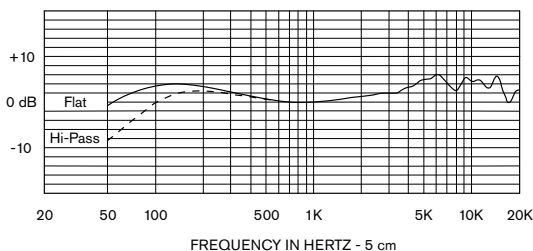
Self-biased condenser

Self-biased condenser

Frequency response

50 Hz to 20,000 Hz

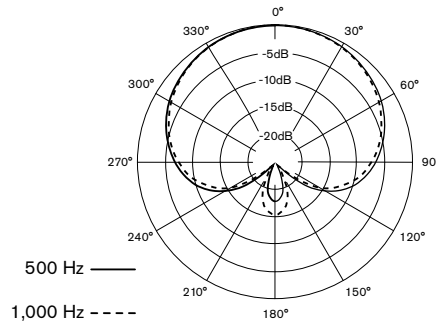
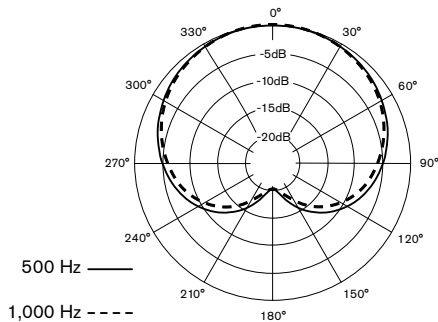
40 Hz to 20,000 Hz



Polar pattern

Cardioid

Supercardioid



Sensitivity

5.6mV/Pa (open circuit voltage 1 kHz)

5.6mV/Pa (open circuit voltage 1 kHz)

Clipping (max SPL)

149 dB SPL (1% THD)

150 dB SPL (1% THD)

Self-noise

22 dB SPL "A" weighted (0 dB = 20 micropascals)

17 dB SPL "A" weighted (0 dB = 20 micropascals)

Dynamic range

127 dB

133 dB

Signal-to-noise ratio

72 dB

77 dB

Output impedance

200 ohms

200 ohms

Power requirements

48 VDC phantom power

48 VDC phantom power