



Sennheiser Documentation App



or online at
www.sennheiser.com/download
 evolution wired_



e 604

Quick Guide
 Kurzanleitung
 Guide rapide
 Guida rapida
 Guía de inicio rápido
 Guia rápido
 Beknopte handleiding
 Krótka instrukcja obsługi
 Snabbguide

Kvikstartguide
 Pikaohje
 Γρήγορος οδηγός
 Kisa Kilavuz
 Краткая инструкция
 快速指南
 快速使用指南
 クイックガイド
 퀵 가이드

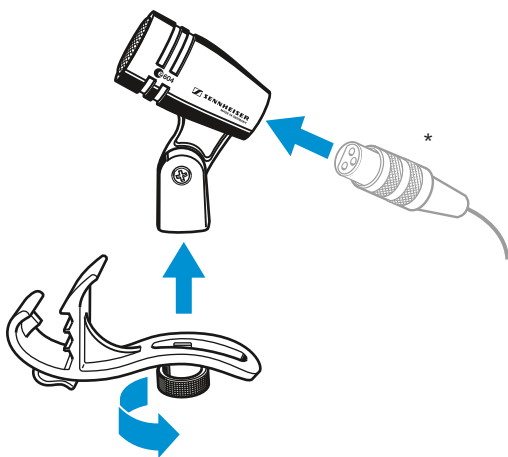
Sennheiser electronic GmbH & Co. KG

Am Labor 1, 30900 Wedemark, Germany
www.sennheiser.com

Publ. 06/19, 581324/A02

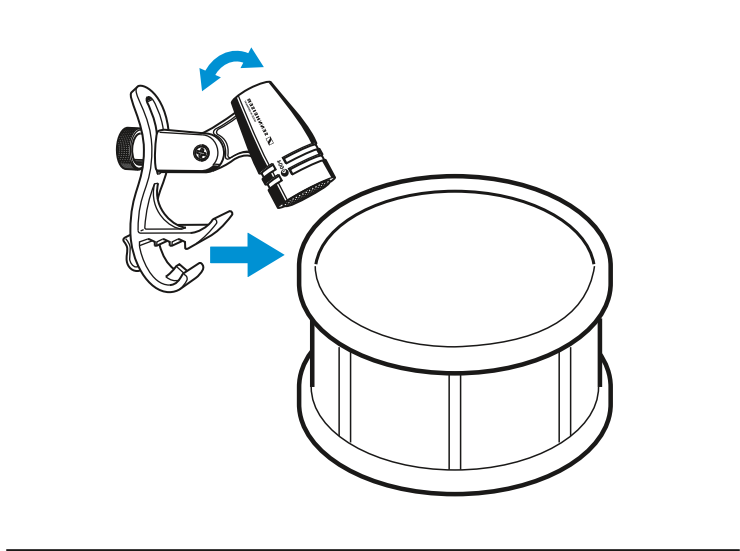
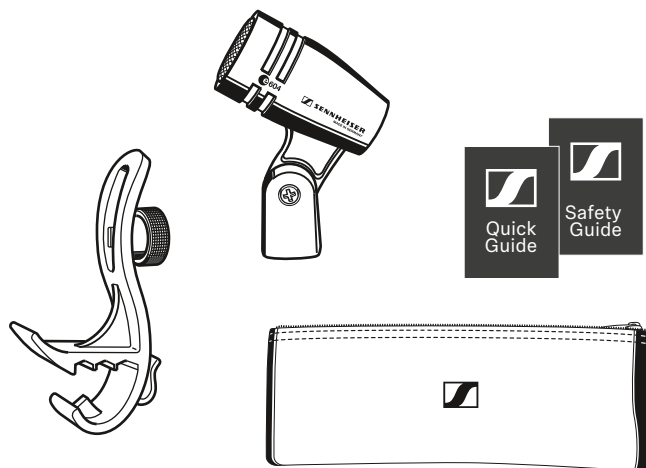
SENNHEISER

Setup

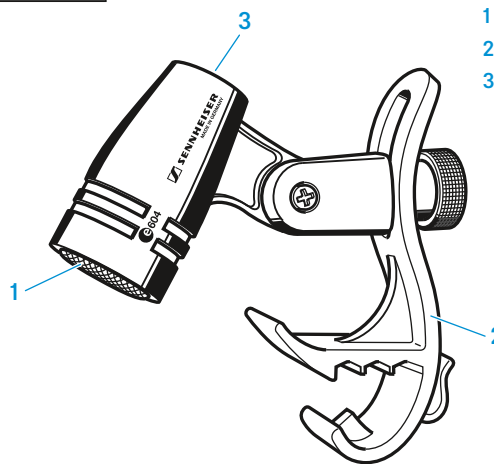


*XLR-3 cable not included

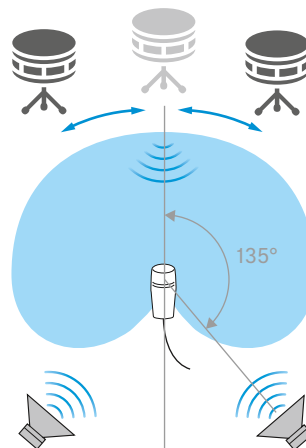
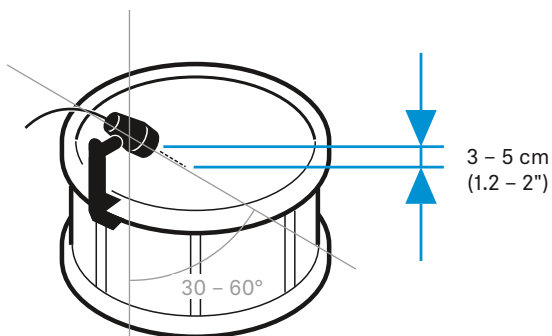
In the box



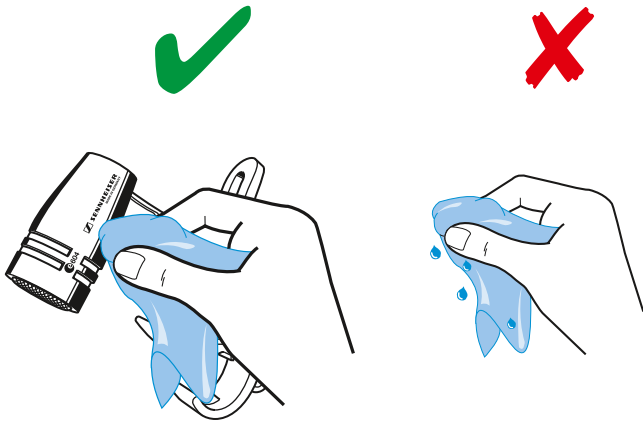
Overview



- 1 Sound inlet basket
- 2 Microphone clamp
- 3 XLR-3 connector



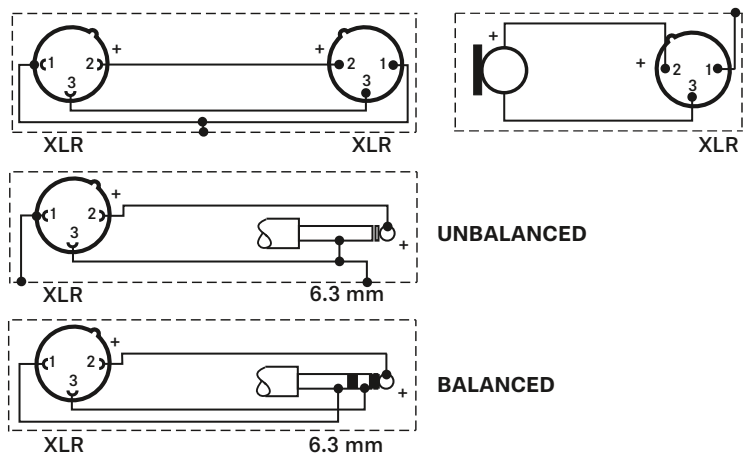
Cleaning



Specifications

Transducer principle	dynamic
Frequency response	40 - 18,000 Hz
Pick-up pattern	cardioid
Sensitivity (free field, at 1 kHz)	1.8 mV/Pa
Nominal impedance (at 1 kHz)	350 Ω
Min. terminating impedance	1 kΩ
Connector	XLR-3
Dimensions	∅ 33 x 59 mm
Weight	60 g

Connector assignment



Polar pattern and frequency response

